

# FT-990

For Service Manuals Contact  
MAURITRON TECHNICAL SERVICES  
8 Cherry Tree Rd, Chinnor  
Oxon OX9 4QY  
Tel: 01844-351694 Fax: 01844-352554  
Email: enquiries@mauritron.co.uk



# Contents

Introduction & Chip Component Replacement . . . . .	.1
Cover Removal, Board Access & Pilot Lamp Replacement . . . . .	.2
Alignment . . . . .	.3
Block & Interconnection Diagrams . . . . .	.4
PCB Diagrams & Parts Lists . . . . .	.5
RF Unit . . . . .	5A
IF Unit . . . . .	5B
AF Unit . . . . .	5C
Local Unit . . . . .	5D
PLL DDS & Carrier DDS Units . . . . .	5E
Control (CNTL) Unit . . . . .	5F
LPF Unit . . . . .	5G
100-W Power Amp (PA) Unit . . . . .	5H
Tuner Main Unit . . . . .	5I
Tuner Control Unit . . . . .	5J
Connector Unit . . . . .	5K
Protector Unit . . . . .	5L
Display Unit . . . . .	5M
Potentiometer (VR) Unit . . . . .	5N
Switch A (SW-A) Unit . . . . .	5O
Key(pad) Unit . . . . .	5P
Rotary Encoder (R. Enc) Unit & Switch B (SW-B) Unit . . . . .	5Q
Pushbutton Switch (Push SW) Unit & Mic Unit . . . . .	5R
Headphone (HP) Unit . . . . .	5S
DC Switch Unit . . . . .	5T
Regulator (REG) Unit . . . . .	5U
Motherboard (Mother Unit) . . . . .	5V
Power Supply (PS) Unit . . . . .	5W
Mechanical Details (Exploded Views, Packaging & Mechanical Parts) . . . . .	.6



# Introduction



For Service Manuals Contact  
MAURITRON TECHNICAL SERVICES  
8 Cherry Tree Rd, Chinnor  
Oxon OX9 4QY  
Tel: 01844-351694 Fax: 01844-352554  
Email: [enquiries@mauritron.co.uk](mailto:enquiries@mauritron.co.uk)

This manual provides technical information necessary for servicing the Yaesu FT-990 HF Transceiver. It does not include information on specifications, installation and operation, which are described in the *FT-990 Operating Manual*, provided with each transceiver, or on FT-990 accessories, which are described in manuals provided with each.

Servicing this equipment requires expertise in handling surface mount chip components. Attempts by non-qualified persons to service this equipment may result in permanent damage not covered by warranty.

For the major circuit boards, each side of the board is identified by the type of the majority of components installed on that side. In most cases one side has only chip components, and the

other has either a mixture of both chip and lead components (trimmers, coils, electrolytic capacitors, packaged ICs, etc.), or lead components only.

While we believe the technical information in this manual is correct, Yaesu assumes no liability for damage that may occur as a result of typographical or other errors that may be present. Your cooperation in pointing out any inconsistencies in the technical information would be appreciated.

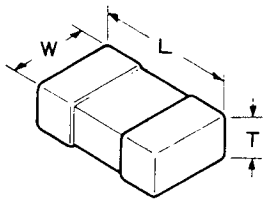
Yaesu Musen reserves the right to make changes in this transceiver and the alignment procedures, in the interest of technological improvement, without notification of the owners.

## Chip Component Information

The diagrams below indicate some of the distinguishing features of common chip components.

### Ceramic Capacitors

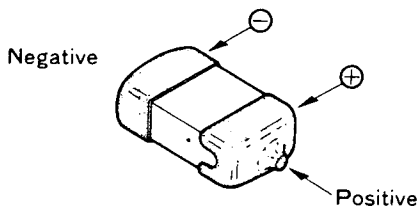
For Service Manuals Contact  
**MAURITRON TECHNICAL SERVICES**  
 8 Cherry Tree Rd, Chinnor  
 Oxon OX9 4QY  
 Tel:- 01844-351694 Fax:- 01844-352554  
 Email:- enquiries@mauritron.co.uk



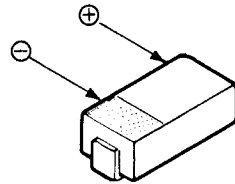
(Unit : mm)

Type	L	W	T
3216	3.2	1.6	0.45~0.60
2125	2.0	1.25	0.35~0.50
1608	1.6	0.8	0.65~0.95

### Tantalum Capacitors



Polarized, Unmarked  
 (determine value from layout  
 and Parts List)

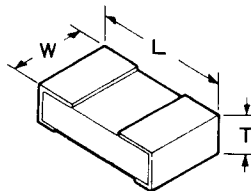


Examples :  
 J475 = 6.3V 4.7μF

G	4.0V	D	20V
J	6.3V	E	25V
A	10V	V	35V
C	16V		

### Resistors

Type RMC 1/10W, 1/16W  
 Marking\* 100, 222, 473.....



(Unit : mm)

Type	L	W	T
1/10	2.0	1.25	0.45
1/16	1.6	0.8	0.45

#### INDICATED LETTERS

**1 2 3 4**  
**5 6 7 8**  
**9 0 .**

473		
10' unit	1' unit	Multiplier code
0	0	10 <sup>0</sup>
1	1	10 <sup>1</sup>
2	2	10 <sup>2</sup>
3	3	10 <sup>3</sup>
4	4	10 <sup>4</sup>
5	5	10 <sup>5</sup>
6	6	10 <sup>6</sup>
7	7	10 <sup>7</sup>
8	8	10 <sup>8</sup>
9	9	10 <sup>9</sup>

Examples :

100 = 10Ω  
 222 = 2.2kΩ  
 473 = 47kΩ

## Replacing Chip Components

Chip components are installed at the factory by a series of robots. The first one places a spot of adhesive resin at the location where each part is to be installed, and later robots handle and place parts using vacuum suction.

For single-sided boards, solder paste is applied and the board is then baked to harden the resin and flow the solder. For double-sided boards, no solder paste is applied, but the board is baked (or exposed to ultra-violet) to cure the resin before dip soldering.

In our laboratories and service shops, small quantities of chip components are mounted manually by applying a spot of resin, placing with tweezers, and then soldering by very small dual streams of hot air (without physical contact during soldering). We remove parts by first removing solder using a vacuum suction iron, which applies a light, steady vacuum at the iron tip, and then breaking the adhesive with tweezers.

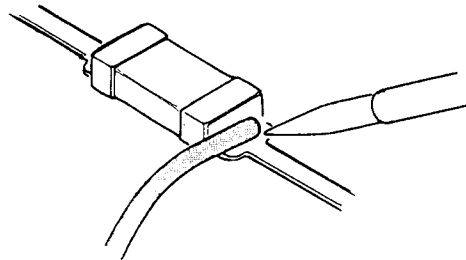
The special vacuum soldering/desoldering equipment is recommended if you expect to do a lot of chip replacements. Otherwise, it is usually possible to remove and replace chip components with only a tapered, temperature-controlled soldering iron, a set of tweezers and braided copper solder wick. Soldering iron temperature should be below 280 °C (536 °F).

## Precautions for Chip Replacement

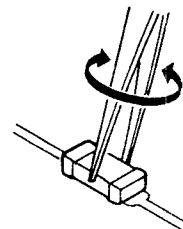
- ✗ Do not disconnect a chip forcefully, or the foil pattern may peel off the board.
- ✗ Never re-use a chip component. Dispose of all removed chip components immediately to avoid mixing with new parts.
- ✗ Limit soldering time to 3 seconds or less to avoid damaging the component and board.

## Removing Chip Components

- ☐ Remove the solder at each joint, one joint at a time, using solder wick whetted with non-acidic flux as shown below. Avoid applying pressure, and do not attempt to remove the tinning from the chip's electrode.



- ☐ Grasp the chip on both sides with tweezers, and gently twist the tweezers back and forth (to break the adhesive bond) while alternately heating each electrode. Be careful to avoid peeling the foil traces from the board. Dispose of the chip when removed.

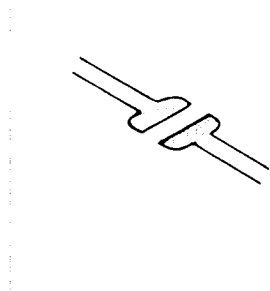


- ☐ After removing the chip, use the copper braid and soldering iron to which away any excess solder and smooth the land for installation of the replacement part.

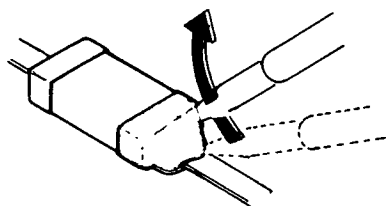
### Installing a Replacement Chip

As the value of some chip components is not indicated on the body of the chip, be careful to get the right part for replacement.

- Apply a small amount of solder to the land on one side where the chip is to be installed. Avoid too much solder, which may cause bridging (shorting to other parts).



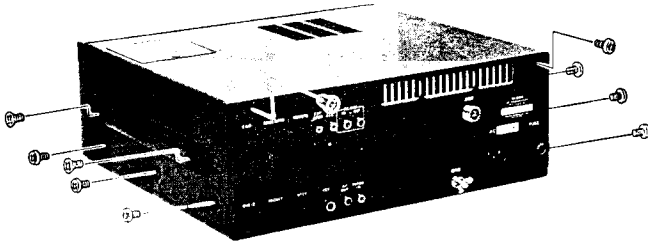
- Hold the chip with tweezers in the desired position, and apply the soldering iron with a motion line that is indicated by the arrow in the diagram below. Do not apply heat for more than 3 seconds.



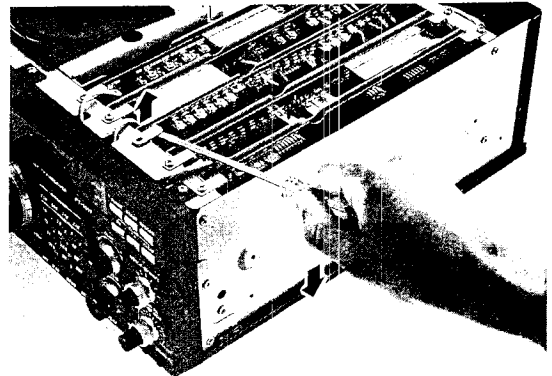
- Remove the tweezers and solder the electrode on the other side in the manner just described.

## Cover Removal & Board Access

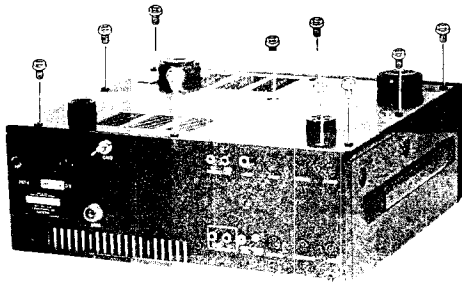
- To remove the top cover, disconnect all cables, remove the 2 screws affixing the carrying handle, and the 8 screws shown below. Then lift the top cover off.



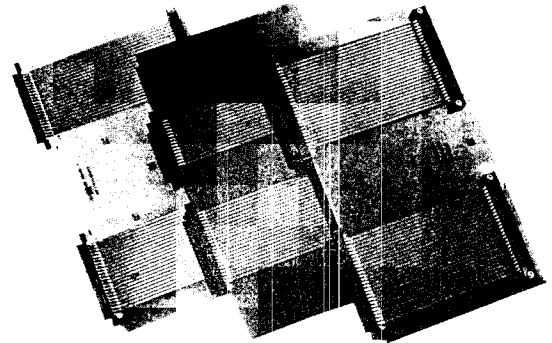
- The Cntl, Local, AF, IF and RF Units are accessible with the top cover removed. Remove the access panel label plate, and then the two screws at the front and back edge of the board to be removed (for the Local Unit, coaxial cables at the front and rear edges must first be unplugged). Then alternately pry up on the front and rear mounting tabs.



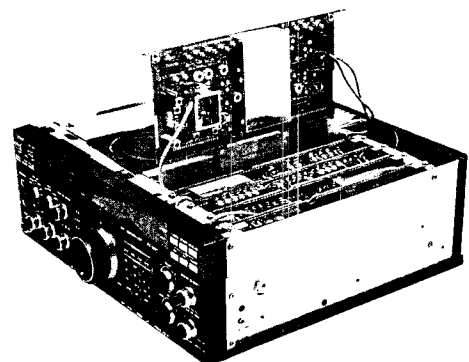
- To remove the bottom cover, remove the 10 screws shown below.



- Three extender boards are available for adjustments on the plug-in boards: Board #1 is for the RF, IF and Local Units, #2 for the AF Unit, and #3 for the Cntl Unit.

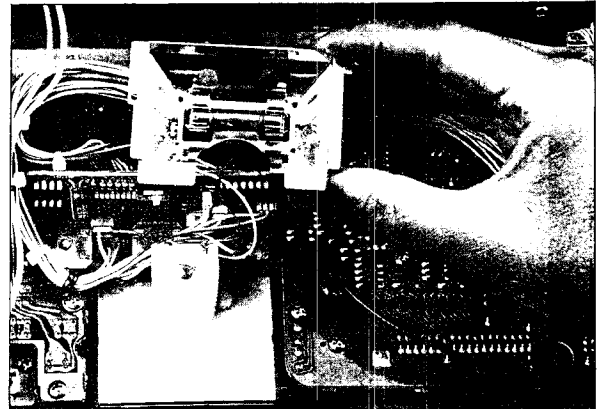
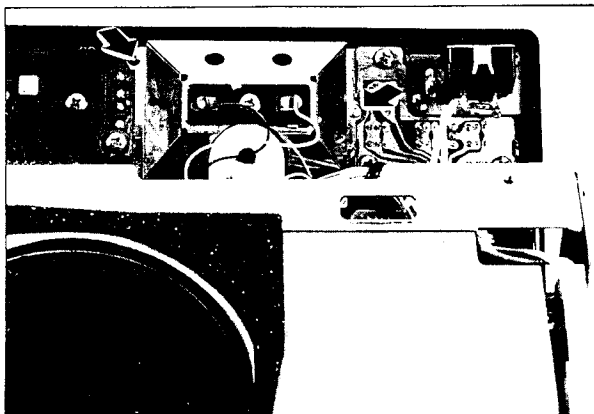
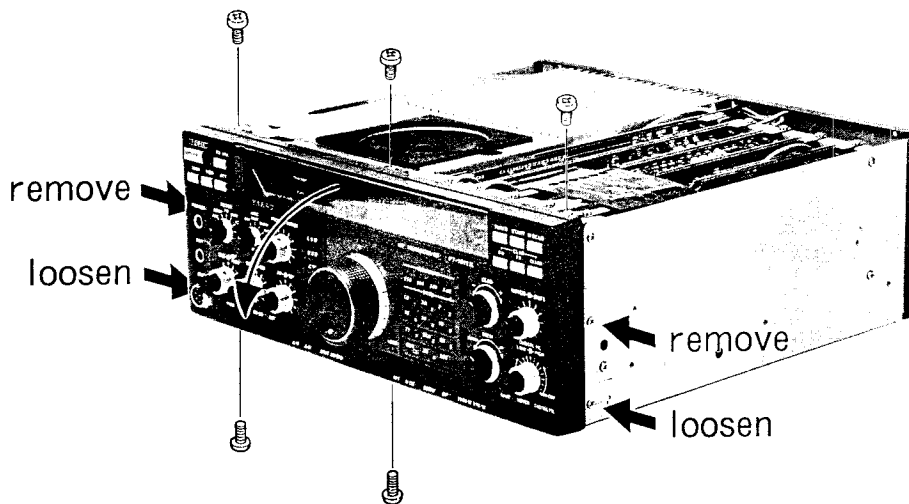


For Service Manuals Contact  
MAURITRON TECHNICAL SERVICES  
8 Cherry Tree Rd, Chinnor  
Oxon OX9 4QY  
Tel:- 01844-351694 Fax:- 01844-352554  
Email:- enquiries@mauritron.co.uk



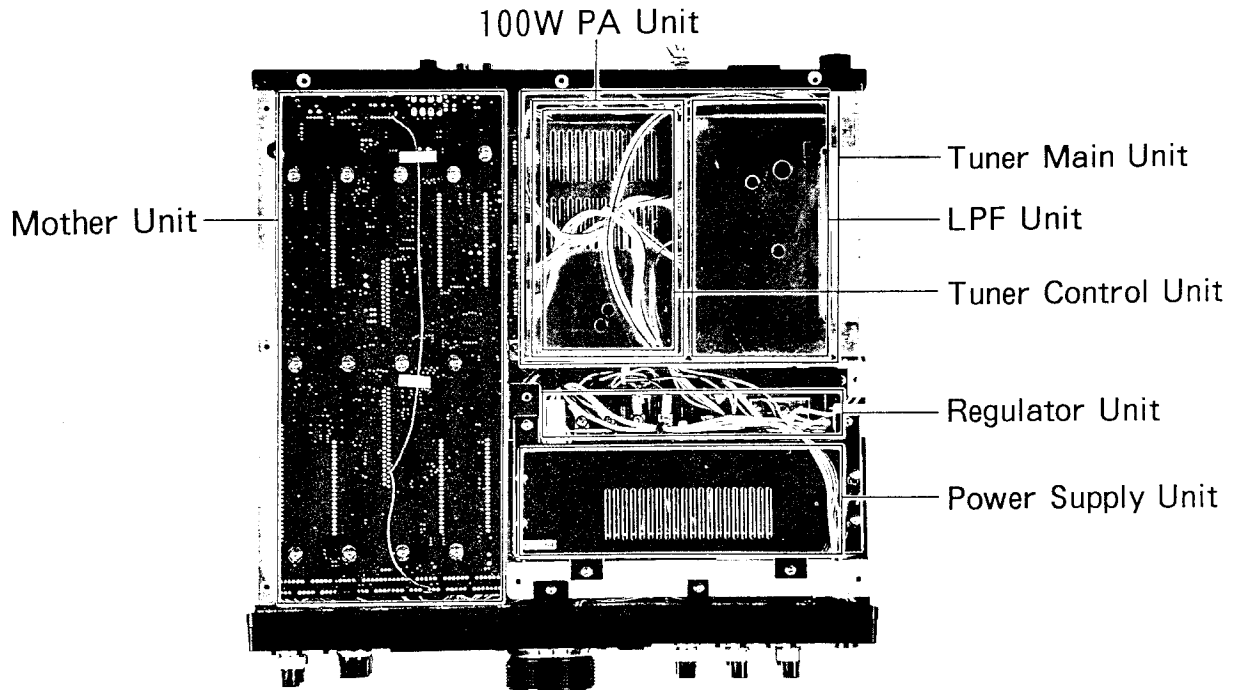
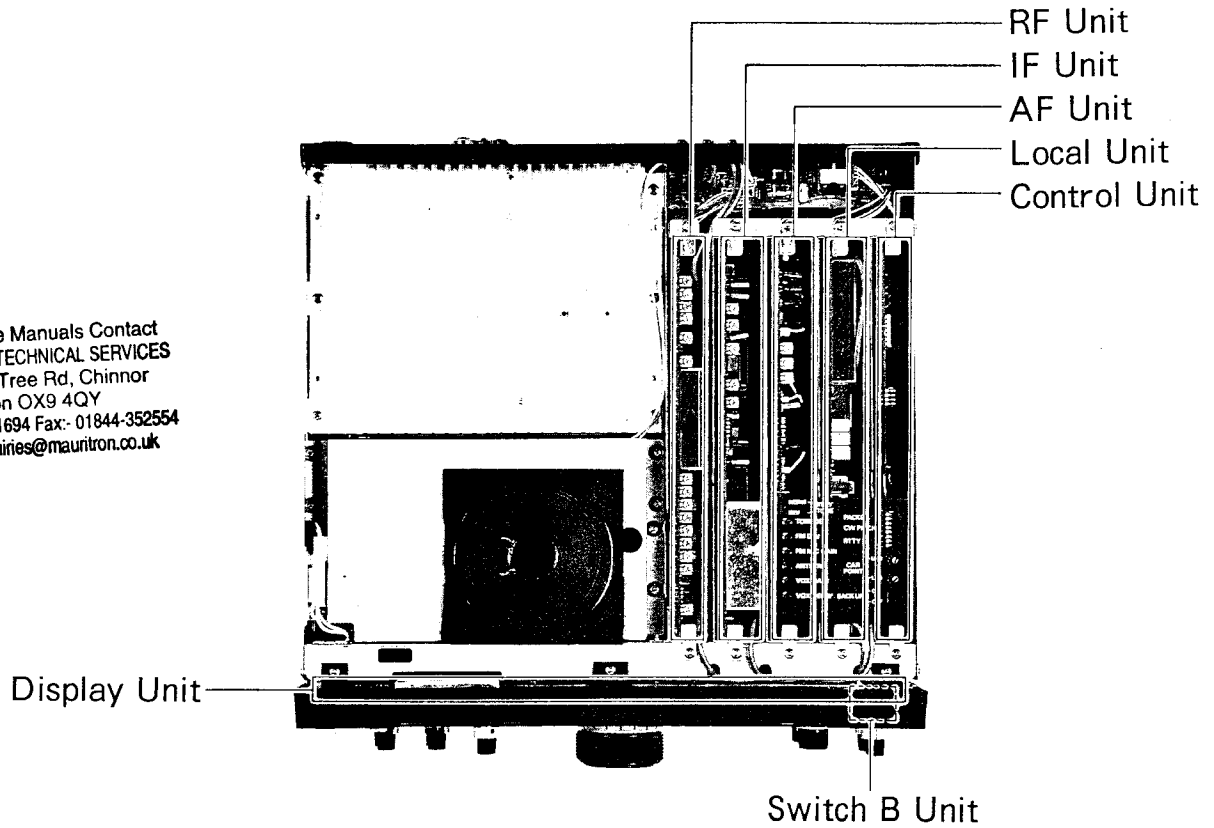
# Pilot Lamp Replacement

- Disconnect all cables, and remove the top and bottom covers.
- Remove the 7 screws from the edges of the front panel as indicated below, and loosen the two remaining screws at the lower edge on each side.
- Fold the front panel forward and down to access the inside.
- Remove the 2 screws in the lamp reflector, and remove the reflector to access the lamp within.



# Board Locations

For Service Manuals Contact  
MAURITRON TECHNICAL SERVICES  
8 Cherry Tree Rd, Chinnor  
Oxon OX9 4QY  
Tel: 01844-351694 Fax: 01844-352554  
Email: enquiries@maurtron.co.uk



# Alignment

The FT-990 is carefully designed to allow the knowledgeable operator to make nearly all adjustments required for various station conditions, modes and operator preferences simply from the controls on the panels, without opening the case of the transceiver. These adjustments, plus certain internal settings, are described in the *FT-990 Operating Manual*.

The following procedures cover the sometimes critical and tedious adjustments that are not normally required once the transceiver has left the factory. However, if damage occurs and some parts subsequently be replaced, realignment may be required. If a sudden problem occurs during normal operation, it is likely due to component failure; realignment should not be done until after the faulty component has been replaced.

We recommend that servicing be performed only by authorized Yaesu service technicians, experienced with the circuitry and fully equipped for repair and alignment. So if a fault is suspected, you should contact the selling dealer for instructions regarding repair. Authorized Yaesu service technicians have the latest modification information, and realign all circuits and make complete performance checks to ensure compliance with factory specifications after replacing faulty components.

Those who do undertake any of the following alignments are cautioned to proceed at their own risk. Problems caused by unauthorized attempts at realignment are not covered by the warranty policy. Also, Yaesu must reserve the right to change circuits and alignment procedures in the interest of improved performance, without notifying owners.

Under no circumstances should any alignment be attempted unless the normal function and operation of the transceiver are clearly understood, the cause of the malfunction has been clearly pinpointed and any faulty components replaced, and the need for realignment determined to be absolutely necessary.

The following test equipment (and thorough familiarity with its correct use) is necessary for complete realignment. Correction of problems caused by misalignment resulting

from use of improper test equipment is not covered under the warranty policy. While most steps do not require all of the equipment listed, the interactions of some adjustments may require that more complex adjustments be performed afterwards. Do not attempt to perform only a single step unless it is clearly isolated electrically from all other steps. Rather, have all test equipment ready before beginning, and follow all of the steps in a section in the order they are presented.

- Digital DC Voltmeter (high-Z, >1 M $\Omega$ /V)
- DC Ammeter
- RF Millivoltmeter
- AF Millivoltmeter
- RF Standard Signal Generator w/calibrated output and dB scale, 0 dB = 0.5  $\mu$ V
- AF Signal Generator with calibrated output
- Spectrum Analyzer or receiver (30 MHz)
- Oscilloscope
- Frequency Counter
- 50- $\Omega$  Dummy Load (150 watts)
- 16.6- $\Omega$  Dummy Load (>150 W)
- In-Line Wattmeter (25 ~ 150 W, 50- $\Omega$ )
- Linear Detector
- RF Attenuator (>150-W, 40-dB) or RF coupler
- Extender Board Set (part no. A03850001)

## Alignment Preparation & Precautions

A 50- $\Omega$  dummy load and inline wattmeter must be connected to the antenna jack in all procedures that call for transmission, except where specified otherwise. Correct alignment is not possible with an antenna.

Except where specified otherwise, the transceiver should be tuned to 14.2 MHz, USB mode, and these controls set as indicated:

- MOX & VOX** buttons OFF (■)
- AGC** to FAST
- ATT** to OFF
- MIC & RF PWR** fully ccw (minimum)
- PROC** fully ccw (minimum)

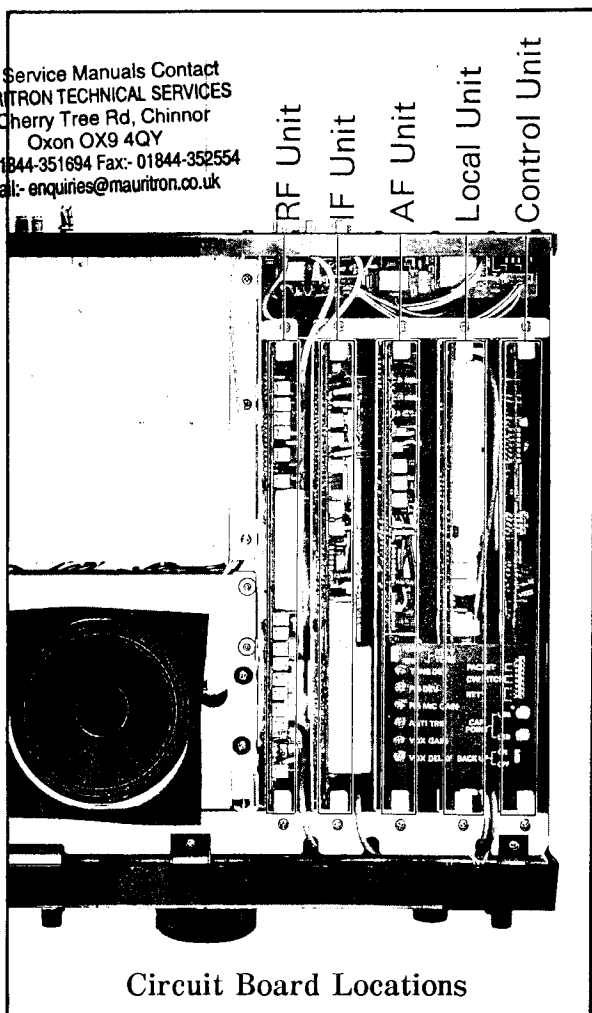


- SQL fully ccw, NB 12-o'clock
- AF as required, RF fully cw (maximum)
- NOTCH & SHIFT to 12-o'clock

After completing one step, read the following step to determine whether the same test equipment will be required. If not, remove the test equipment (except dummy load and wattmeter, if connected) before proceeding.

Correct alignment requires that the ambient temperature be the same as that of the transceiver and test equipment, and that this temperature be held constant between 20 and 30 °C (68 ~ 86 °F). If the transceiver is brought into the shop from hot or cold air it should be allowed some time for thermal equalization with the environment before alignment.

Alignments must only be made with oscillator shields and circuit boards firmly affixed in place. Only one extender board should be installed at a time for access to the board being aligned. Also, the test equipment must be thoroughly warmed up before beginning.



Circuit Board Locations

For Service Manuals Contact  
**MAURITRON TECHNICAL SERVICES**  
 8 Cherry Tree Rd, Chinnor  
 Oxon OX9 4QY  
 Tel: 01844-351694 Fax: 01844-352554  
 Email: enquiries@mauritron.co.uk

*Note: Signal levels in dB referred to in alignment are based on 0 dBμ = 0.5 μV.*

*Table note: DC voltages should be within ± 10% of those listed in the voltage tables.*

### Local Unit (requires Extender Board #1)

#### 3rd Local BPF

Connect the RF millivoltmeter to pin 1 of J4003 on the Local Unit (see photo on next page), and adjust T4011 and T4012 for peak (>70 mV<sub>rms</sub>).

#### Reference Frequency

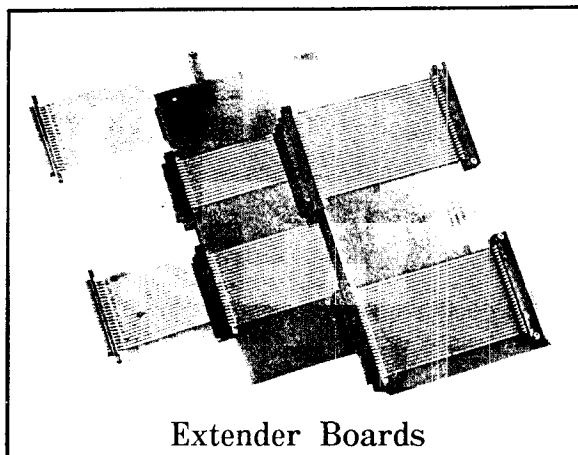
Connect the frequency counter to pin 1 of J4003. Adjust the TCXO-2 trimmer (if installed) or TC4001, for 10.48576 MHz ± 5 Hz.

#### 36.269-MHz 2nd Local Buffer

- Connect the RF millivoltmeter to TP4003.
- Preadjust T4017 for maximum on the meter (at least 1 V<sub>rms</sub>).
- Remove the coaxial plug from J4004 and connect a 50-Ω resistor across the socket. Connect the RF millivoltmeter across the resistor, and adjust T4018 and T4019 for maximum on the meter (> 0.3 V<sub>rms</sub>).
- Now adjust T4017 for 224 mV<sub>rms</sub> (0 dBm) ± 10 mV<sub>rms</sub> on the meter.
- Connect the frequency counter to J4004 and confirm 36.269 MHz ± 600 Hz.
- Replace the plug in J4004.

#### 41.84-MHz PLL Local BPF

- Tune to 14.030 MHz, USB mode.



Extender Boards

- Connect the RF millivoltmeter to TP4002 and adjust T4013 ~ T4016 for peak. Final voltage should be at least 60 mV<sub>rms</sub>.

### PLL VCV (Varactor Control Voltage)

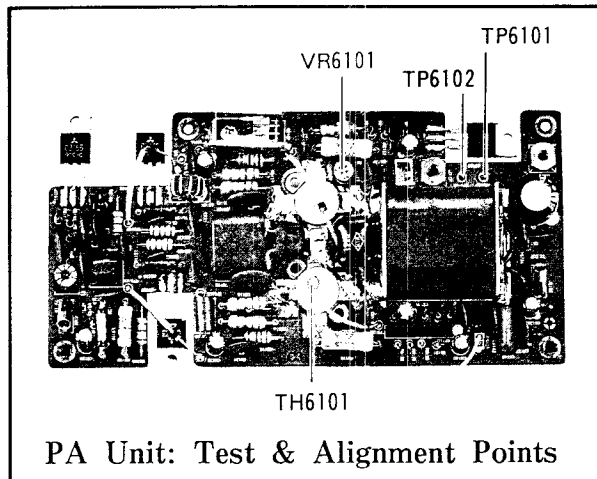
With the USB mode selected, connect the DC voltmeter to TP4001. Tune the display to each adjustment frequency in the following table and adjust the corresponding coil for  $8.0 \pm 0.1$  V on the meter. Then retune to the check frequency and confirm 1.4 ~ 2 V. Repeat at each listed frequency.

Adj. Freq. (VCO#)	Adjust for 8 V @TP4001	Check Freq. (for 1.4 ~ 2 V)
3.999 MHz (VCO1)	T4005	0.100 MHz
7.499 MHz (VCO2)	T4004	4.000 MHz
14.499 MHz (VCO3)	T4003	7.500 MHz
21.499 MHz (VCO4)	T4002	14.500 MHz
29.999 MHz (VCO5)	T4001	21.500 MHz

### PA Unit (RF Power Amplifier)

#### Final Idling Current

Temporarily disconnect the jumper between TP6101 and TP6102, and connect the ammeter in its place. Key the transmitter in an SSB mode, and with no microphone input, adjust VR6101 for  $200 \pm 50$  mA. Then reinstall the jumper.



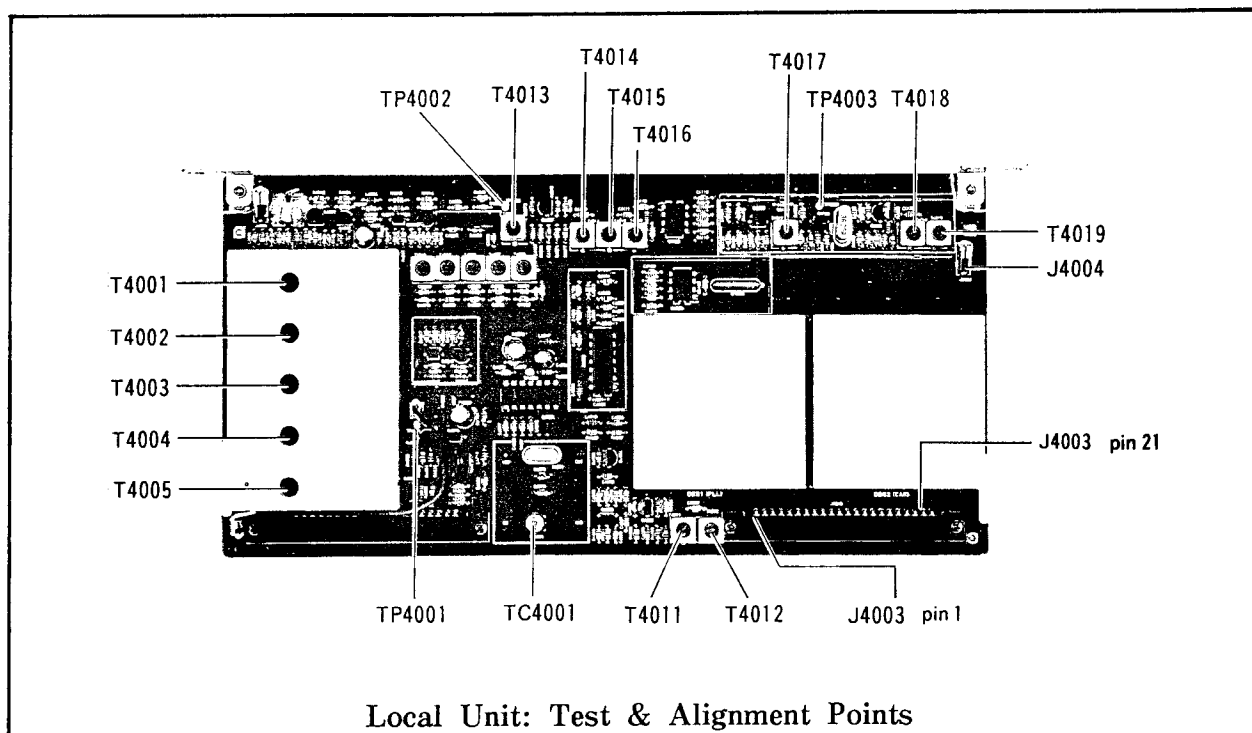
### LPF Unit

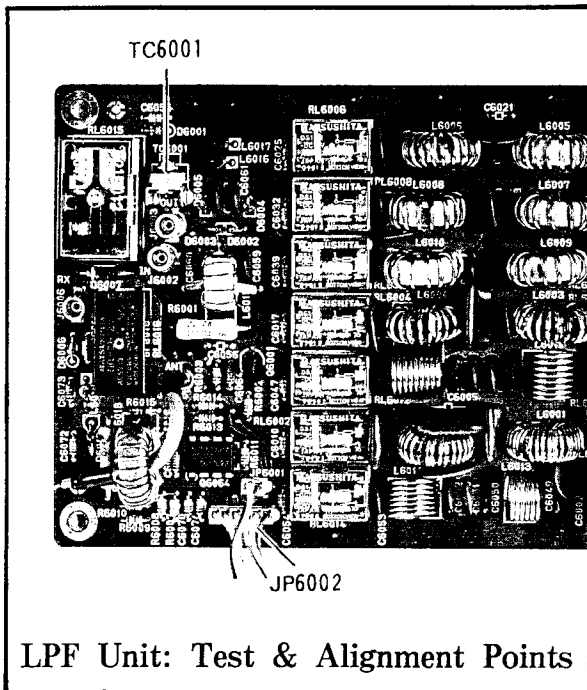
#### CM Coupler Balance

With the 50-Ω dummy load connected to the ANT jack, tune the transceiver to 14.2 MHz, and select the CW mode. Connect the DC voltmeter between pins 1 (-) and 3 (+) of JP6002 (see photo next page), key the transmitter and adjust TC6001 for *minimum* on the voltmeter.

### Tuner Unit

On the front panel, set the **METER** selector to **SWR**, and the **DRIVE** and **RF PWR** controls fully clockwise (maximum).





LPF Unit: Test & Alignment Points

### Tuning Capacitor/Motor (Mechanical Check, Setting & Adjustment)

- Loosen all setscrews in the shaft coupler, and turn the coupler by hand to confirm it moves freely (the motor and capacitor should not move). If the coupler binds, check the motor mounting position (it is soldered in place) and the capacitor mounting (screws).
- Turn the power switch off, and jump TP6501 to chassis ground.
- Turn the power switch on — the motor should rotate, and then stop.

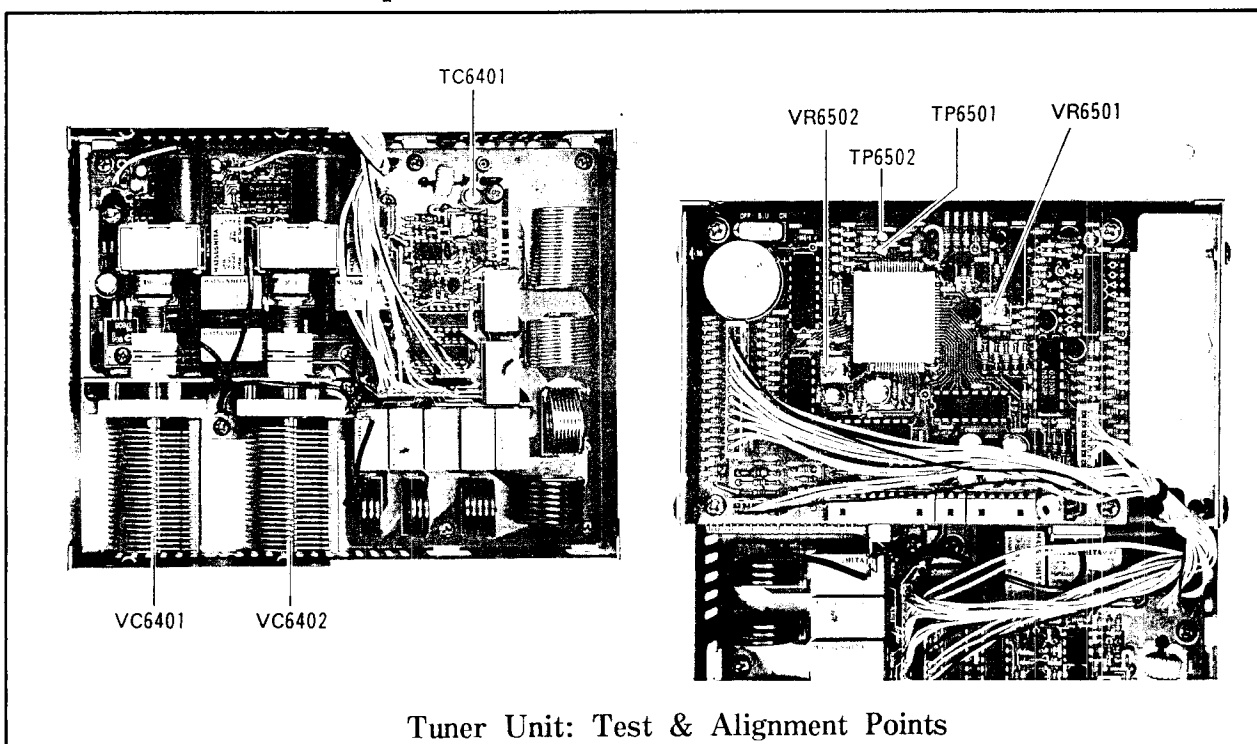
- Set the capacitor to its maximum capacitance position (plates fully meshed) by hand, and tighten all shaft coupler setscrews, using care not to disturb the capacitor or motor positions.
- Turn the power off, and jumper TP6502 to chassis ground (along with TP6501).
- Turn the power back on. The motor should move 180°, and the capacitor should be then at minimum capacitance (fully unmeshed).
- Remove the grounding jumpers from TP6501 and TP6502.

### SWR Meter Calibration

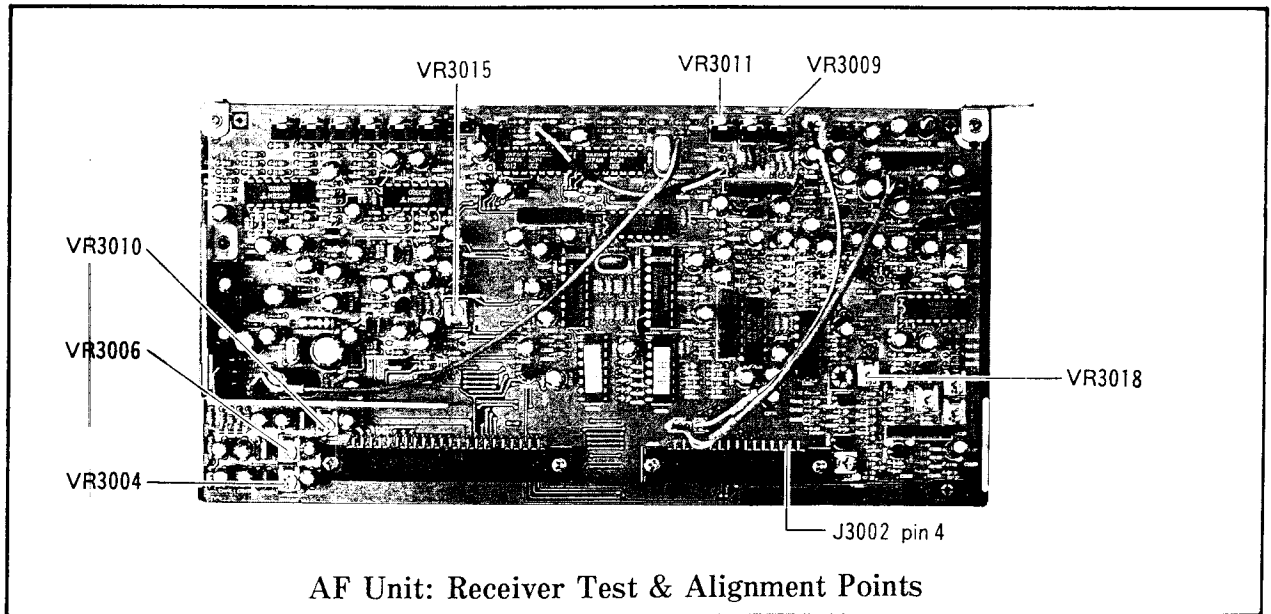
With the **METER** selector set to **SWR**, the antenna tuner *off*, and no connection to the **ANT** jack, tune the transceiver to 1.84 MHz, CW mode. Press the **MOX** button and adjust VR6501 for full scale meter deflection.

### Tuner Impedance

- Connect the 50-Ω dummy load and wattmeter to the **ANT** jack, tune the transceiver to 3.75 MHz, CW mode.
- Press the **START** button and confirm that the **TUNER** and **WAIT** LEDs come on, the transmitter is activated, and the **HI SWR** LED *does not* come on. Then press the **MOX** button and confirm that the S-meter shows an SWR of 1.1 or better. If not, adjust TC6401 (on the



Tuner Unit: Test & Alignment Points



AF Unit: Receiver Test & Alignment Points

Tuner Main Unit) so that it does, and press **START** again.

### High SWR Sensing

- Connect the 16.6- $\Omega$  dummy load to the **ANT** jack and tune the transceiver to 1.84 MHz, CW mode, with the **TUNER** switch off.
- Press the **MOX** button and adjust VR6502 so that the **HI SWR** LED just comes on.

### Default Beeper & Sidetone Levels

- The default Key Beeper level is the 10-o'clock position of VR3011 (AF Unit, top edge).
- The default sidetone level is set by connecting an AF millivoltmeter across an 8- $\Omega$  load to the **EXT SP** jack, and adjusting VR3009

(AF Unit, top edge) for 200 mV ( $\pm 10$  mV) with the **SPOT** button pressed.

### IF Unit (requires Extender Board #1)

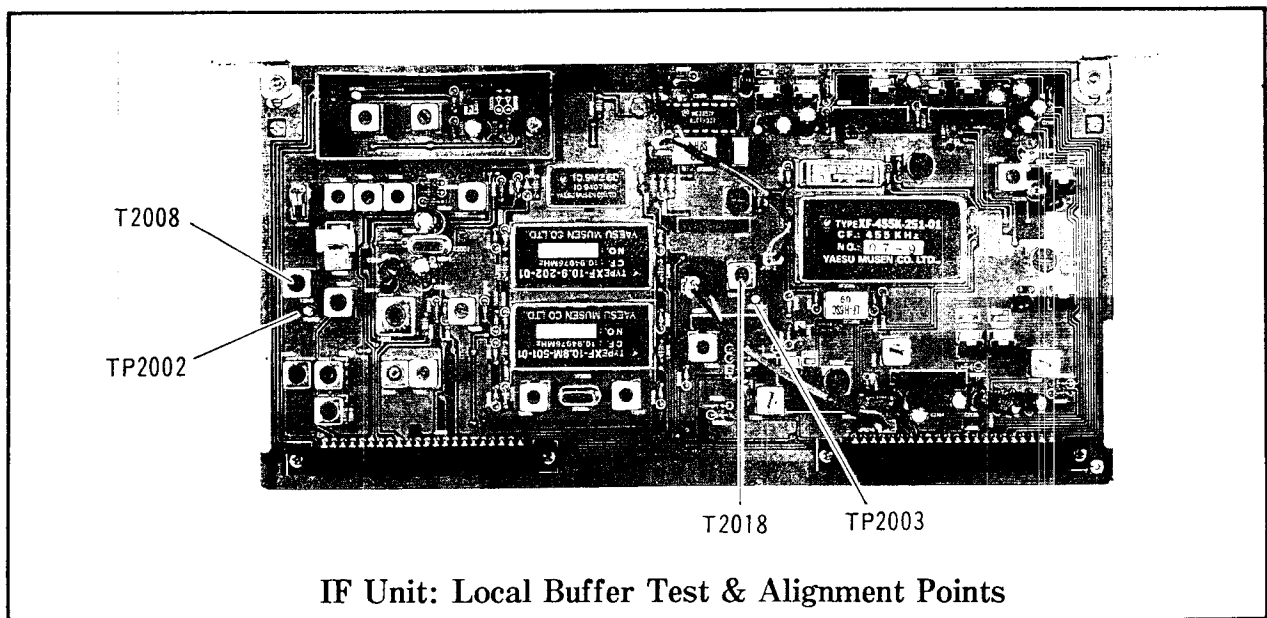
#### 2nd Local Buffer Level

Connect the RF millivoltmeter to TP2002 and adjust T2008 for peak (at least 250 mV<sub>rms</sub>).

#### 3rd Local Buffer Level

Connect the RF millivoltmeter to TP2003 and adjust T2018 for peak (at least 80 mV<sub>rms</sub>).

For Service Manuals Contact  
**MAURITRON TECHNICAL SERVICES**  
 8 Cherry Tree Rd, Chinnor  
 Oxon OX9 4QY  
 Tel: 01844-351694 Fax: 01844-352554  
 Email: enquiries@mauritron.co.uk

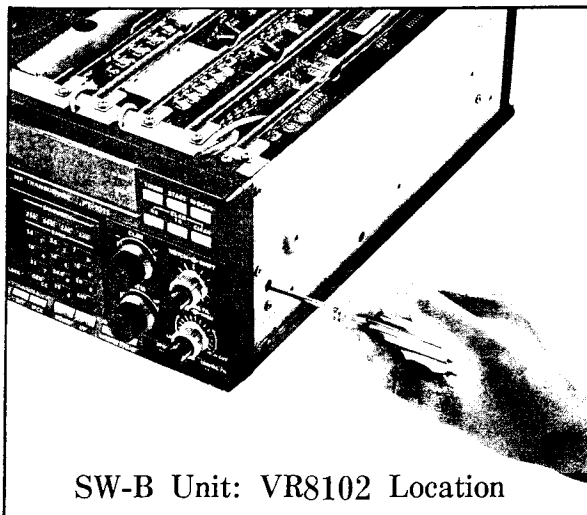


IF Unit: Local Buffer Test & Alignment Points

Receiver Circuits

IF Shift Zero Set (on SW-B Unit)

- Connect the frequency counter to pin 21 of Local Unit board connector J4003. Tune to 14.200 MHz, USB mode, and set the **MIC** gain and **RF PWR** to minimum (ccw). Set the **SHIFT** control to precisely 12 o'clock.
- Adjust VR8102 while both receiving and transmitting, so that the counter shows the same frequency (within  $\pm 20$  Hz).



SW-B Unit: VR8102 Location

SSB Carrier Balance (AF Unit on Ext. Bd. #2)

Connect the RF millivoltmeter to pin 4 of board connector J3002 on the AF Unit, and adjust VR3018 for minimum voltage.

S-Meter Zero Set

Adjust VR2005 on the top edge of the IF Unit to just below the S-meter threshold.

IF Interstage Transformers (RF, then IF Unit on Ext. Bd. #1)

- Inject 20 dB $\mu$  at 14.200 MHz from the RF signal generator to the **ANT** jack.
- Put the RF Unit on the Extender and adjust T1005, T1010, T1011 and T1013 on the RF Unit, several times, for peak on the S-meter.
- Move the Extender to the IF Unit, and adjust T2003 ~ T2007, T2017, T2021, T2022 and T2023, several times for S-meter peak.

AM Wide Filter Matching (IF Unit on Ext. Bd. #1)

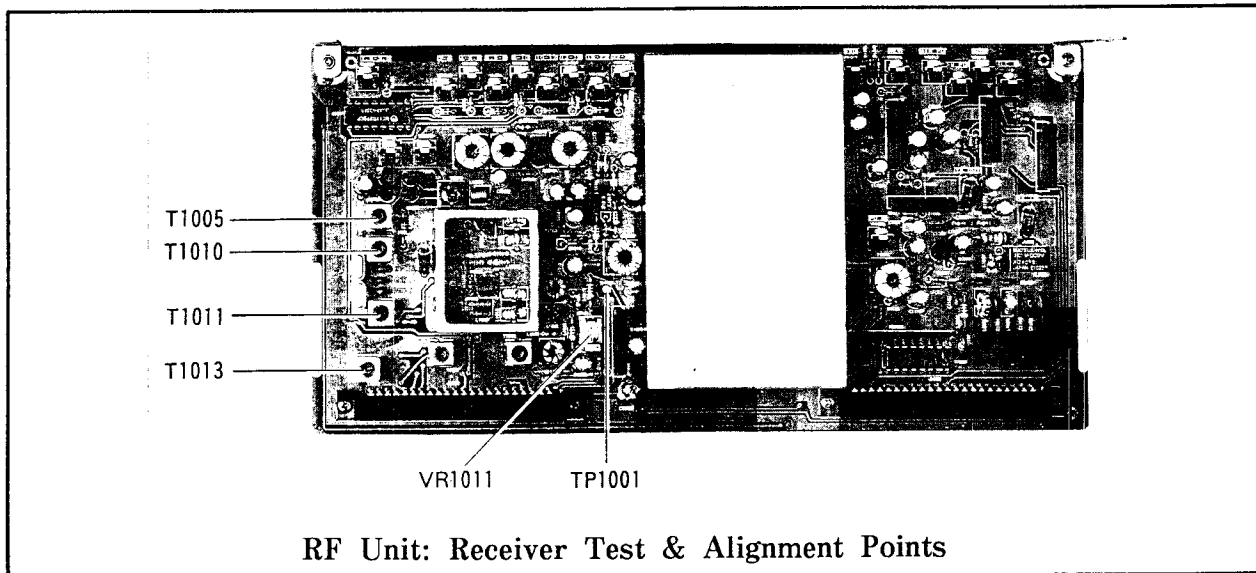
With the same setup as in the last step, select the AM mode and adjust T2015 and T2016 on the IF Unit for peak S-meter deflection.

IF Notch Depth (IF Unit on Ext. Bd. #1)

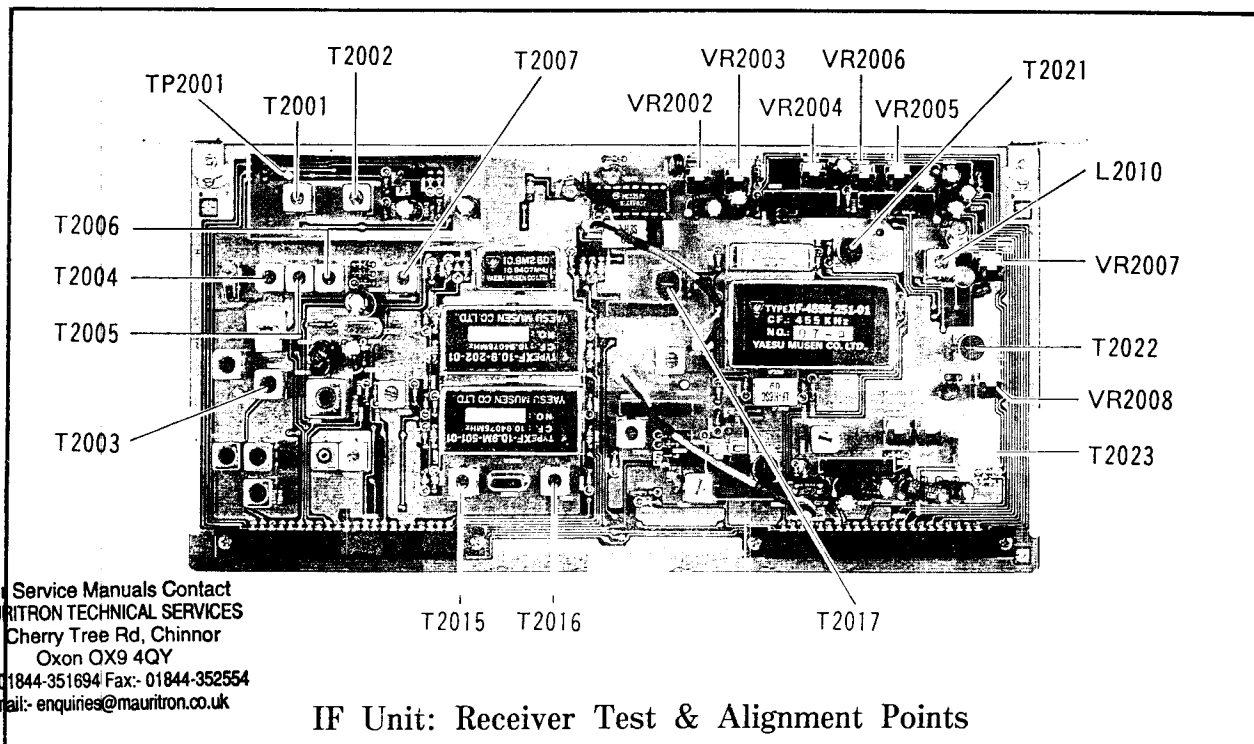
- Inject 40 dB $\mu$  at 14.200 MHz from the RF signal generator to the **ANT** jack. Select USB mode and tune to 14.20150 MHz (so a 1500-Hz heterodyne is heard).
- Press the **NOTCH** button and, with the **NOTCH** control centered, adjust L2010 and VR2007 alternately several times for minimum S-meter deflection.

IF Gain (IF Unit on Ext. Bd. #1)

Inject 6 dB $\mu$  at 14.200 MHz from the RF signal generator to the **ANT** jack, and adjust VR2008 on the IF Unit for S-1 deflection.



RF Unit: Receiver Test & Alignment Points



**RF AGC, & S-Meter Calibration (RF Unit on Ext. Bd. #1)**

- Connect the DC voltmeter to TP1001 on the RF Unit.
- Inject 100 dBμ at 14.200 MHz from the RF signal generator to the **ANT** jack, and adjust VR1011 on the RF Unit for 5.5 ± 0.1-V DC.
- Adjust VR2006 on the top edge of the IF Unit for S-9 + 60-dB on the S-meter.

**Noise Blanker (IF Unit on Ext. Bd. #1)**

- With the transceiver tuned to 14.2 MHz, press the **NB** button. Inject 20 dBμ at 14.2 MHz to the **ANT** jack, and connect the DC voltmeter to TP2001 on the IF Unit.
- Adjust T2001 and T2002 on the IF Unit for minimum voltage on the meter.

**FM Detector Output Level**

- Connect the AF millivoltmeter across an 8-Ω load to the **EXT SP** jack, and inject 40 dBμ at 14.200 MHz, without modulation, from the RF signal generator to the **ANT** jack.
- Select the USB mode, and tune the transceiver for a 1-kHz heterodyne. Note the millivoltmeter reading.
- Now switch to FM mode and modulate the signal generator output with ± 1.765-kHz

deviation of a 1-kHz tone (without changing the level).

- Adjust VR2003 on the top edge of the IF Unit for the same level on the millivoltmeter noted in the USB mode (within ± 1 dB).

**SSB Squelch Threshold**

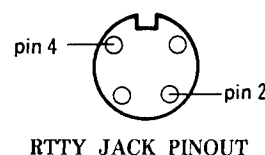
In the USB mode, with no signal at the **ANT** jack, set the **SQL** control to the 11-o'clock position, and adjust VR2004 (IF Unit, top edge) so that the squelch just closes.

**FM Squelch Threshold**

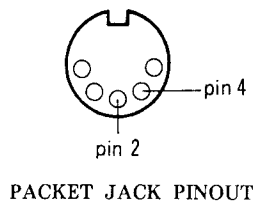
In the FM mode, with no signal at the **ANT** jack, set the **SQL** control to the 10-o'clock position, and adjust VR2002 (IF Unit, top edge) so that the squelch just closes.

**RTTY & PKT Jack Receiver AF Out Levels (AF Unit on Ext. Bd. #2)**

- In the RTTY mode, inject 40 dBμ at 14.2 MHz to the **ANT** jack, and tune the transceiver for a 2000-Hz heterodyne.
- Connect a 600-Ω resistor in parallel with the AF millivoltmeter between pins 2 and 4 of the rear panel **RTTY** jack, and adjust VR3004 on the AF Unit for 60 ± 10 mV<sub>rms</sub>.

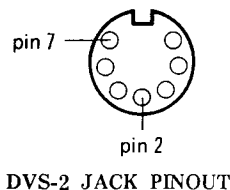


- Now select the PKT-LSB mode, move the AF millivoltmeter and resistor to pins 2 and 4 of the PKT jack, and adjust VR-3006 on the AF Unit for  $60 \pm 10$  mV<sub>rms</sub> on the meter.



### AF OUT & DVS-2 Jack Receiver AF Out Levels (AF Unit on Ext. Bd. #2)

- In the USB mode, inject 40 dB $\mu$  at 14.2 MHz to the ANT jack, and tune the transceiver for a 1000-Hz heterodyne.
- Connect a 600- $\Omega$  resistor in parallel with the AF millivoltmeter across the rear panel AF OUT jack, and adjust VR3010 on the AF Unit for  $100 \pm 10$  mV<sub>rms</sub> on the meter.
- Now move the RF millivoltmeter and resistor to pins 2 and 7 of the DVS-2 jack, and adjust VR3015 on the AF Unit for  $2.5 \pm 0.2$  mV<sub>rms</sub> on the meter.



### Transmitter

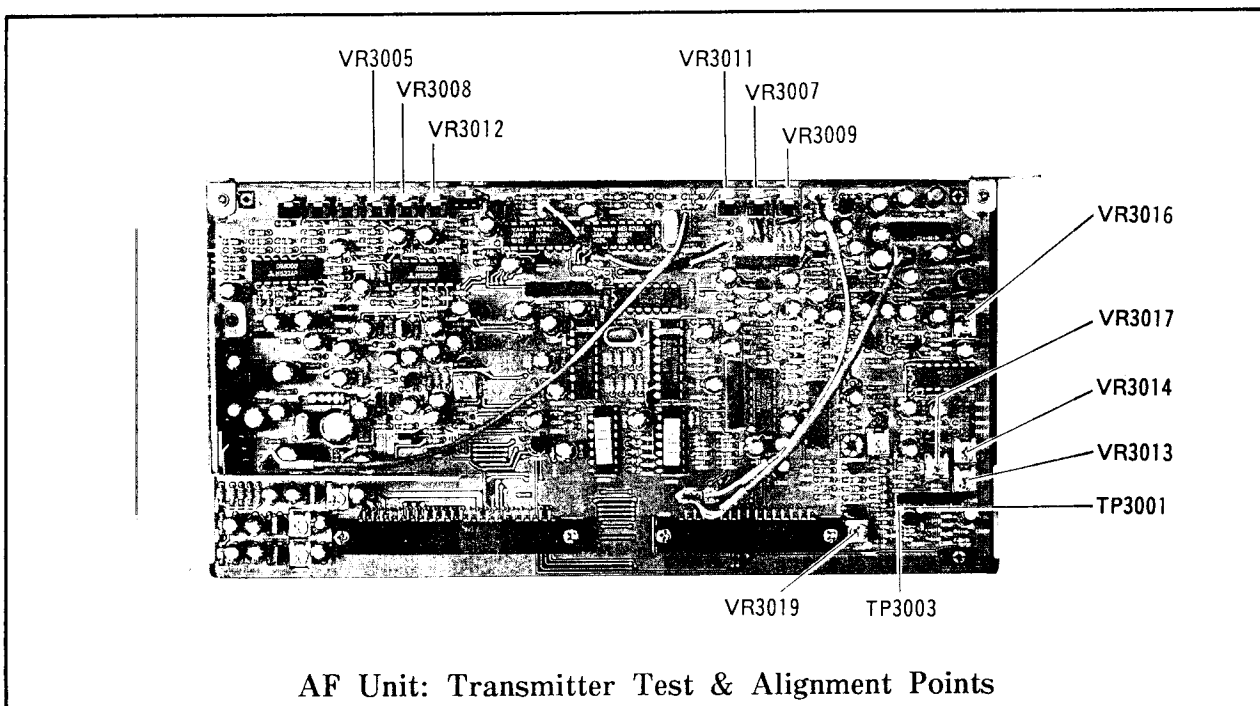
Connect the 50- $\Omega$  dummy load to the ANT jack for all procedures.

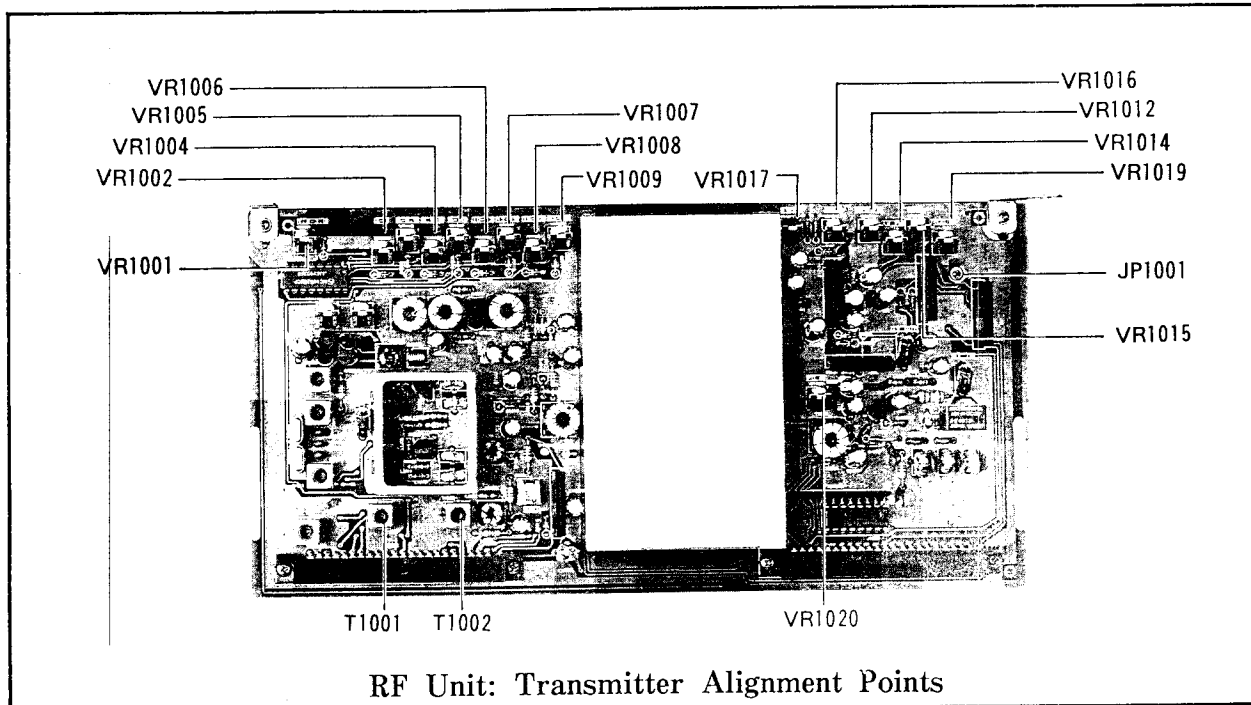
### Carrier Level (AF Unit on Ext. Bd. #2)

Tune to 12.200 MHz, USB mode. Connect the RF millivoltmeter to TP3003 on the AF Unit, then key the transmitter and adjust VR3019 on the AF Unit for  $110 \pm 5$  mV<sub>rms</sub>.

### Transmitter IF Interstage Transformers (RF, then IF Unit on Ext. Bd. #1)

- With the inline wattmeter and 50- $\Omega$  dummy load connected to the ANT jack, set the RF PWR control fully ccw (minimum), and select the ALC meter function.
- Put the RF Unit on the Extender and, in the CW mode, key the transmitter and adjust T1001 and T1002, several times, for peak on the wattmeter (or ALC scale). If the ALC meter deflection is nil or full scale (and a wattmeter is not available), adjust VR1007 for midscale deflection.
- Move the Extender to the IF Unit, key the transmitter, and adjust T2010 ~ T2014, T2019 and T2020 (see photos next page) for peak on the wattmeter (or ALC scale). If ALC deflection is insufficient, connect the RF millivoltmeter to pin 11 of IF Unit board connector J2002 to adjust the IF Unit transformers.





RF Unit: Transmitter Alignment Points

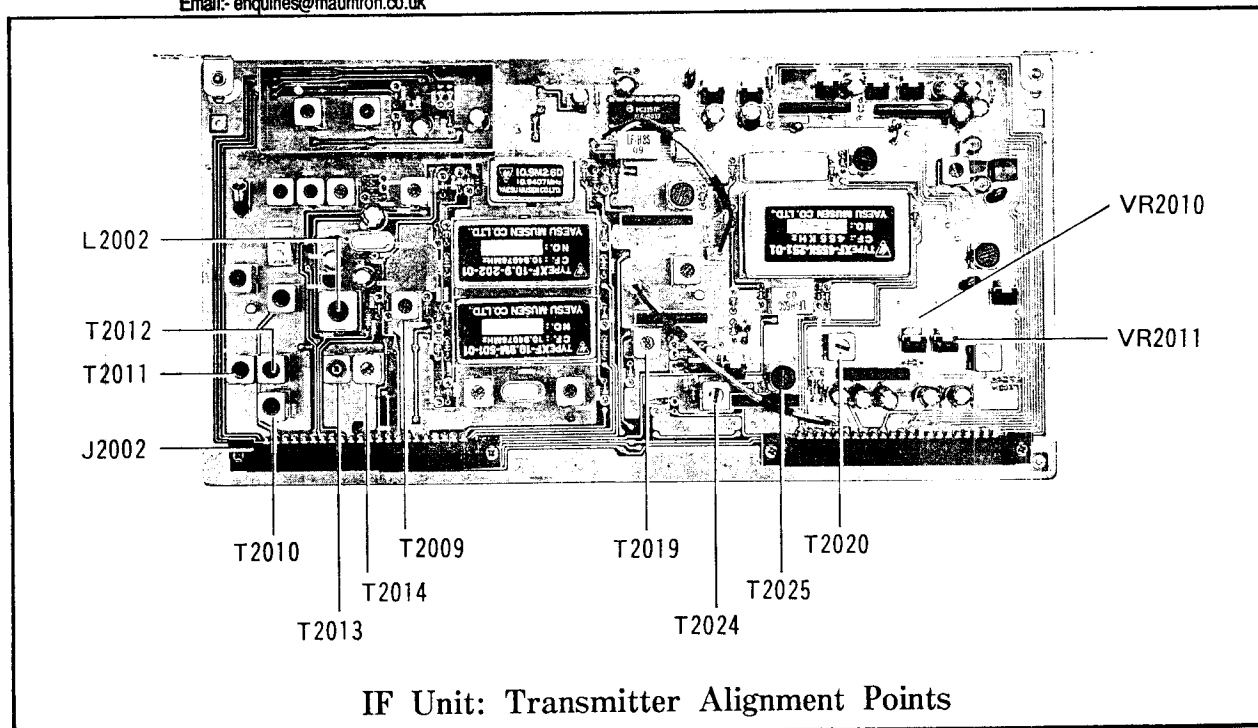
IC Meter Zero Set

- With the transceiver tuned to 14.0 MHz, USB mode, set the **MIC** control fully ccw (minimum), and set the **METER** selector to the **IC** position.
- Key the transmitter and adjust VR9003 on the Regulator Unit (see photo next page) so the meter deflects to S-1 to S-2 (on the S-meter scale).

For Service Manuals Contact  
**MAURITRON TECHNICAL SERVICES**  
 8 Cherry Tree Rd, Chinnor  
 Oxon OX9 4QY  
 Tel: 01844-351694 Fax: 01844-352554  
 Email: enquiries@mauritron.co.uk

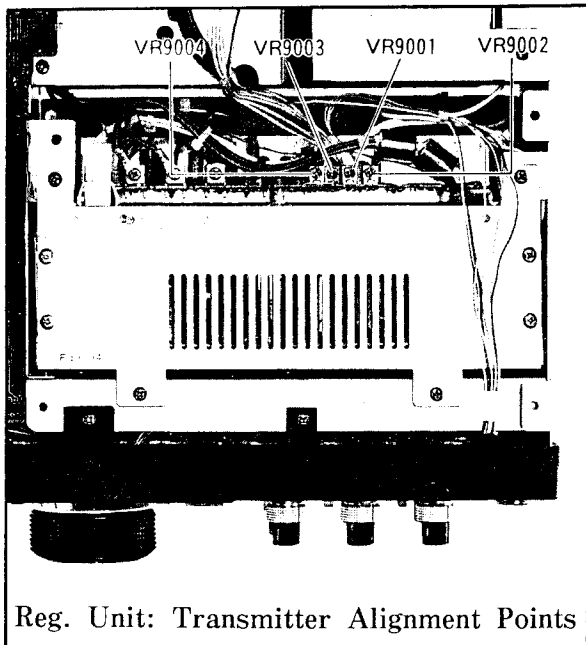
Overcurrent ALC

- With the inline wattmeter and 50-Ω dummy load connected to the **ANT** jack, preset VR-1017 on the top edge of the RF Unit fully ccw, and VR9004 on the Regulator Unit fully clockwise. Also set the **RF PWR** control fully clockwise, and tune the transceiver to 14.200 MHz, CW mode.
- Key the transmitter and adjust VR9004 for 130 watts on the wattmeter. Perform the following procedure to realign VR1017.



IF Unit: Transmitter Alignment Points





### Forward ALC (Max RF Output)

Perform the previous procedure, and with the same setup, key the transmitter and adjust VR1017 on the top edge of the RF Unit for 100 to 110 watts on the wattmeter. Confirm that the ALC meter deflects.

### AM Peak Output (AF Unit on Ext. Bd. #2)

With the transceiver tuned to 14.2 MHz, AM mode, and the wattmeter and 50-Ω dummy load connected to the **ANT** jack, set the **RF PWR** control fully clockwise. Key the transmitter and adjust VR1014 on the top edge of the RF Unit for  $27 \pm 1$  watts output. If the ALC function of the meter does not deflect, adjust VR3013 on the AF Unit so that it does.

### Reverse ALC (SWR Turndown)

Connect the inline wattmeter and a 16.6-Ω dummy load (or three 50-Ωs in parallel) to the **ANT** jack, and set the **RF PWR** control fully clockwise (maximum). With the transceiver set to the CW mode on 14.200 MHz, key the transmitter and adjust VR1016 (RF Unit, top edge) for 50 watts on the wattmeter.

### Transmitter IF Gain I (14 MHz) (AF Unit on Ext. Bd. #2)

- Inject 3 mV of a 1-kHz audio tone from the AF generator to pin 8 of the **MIC** jack, and connect the AF millivoltmeter to TP3001 on the AF Unit.

- With the transceiver tuned to 14.2 MHz, USB mode, and the 50-Ω dummy load connected to the **ANT** jack, set the **RF PWR** control fully clockwise, and select the ALC meter function.
- Key the transmitter and adjust the **MIC** gain control for 30 mV at TP3001, then adjust VR1007 on the top edge of the RF Unit so that the ALC meter just begins to deflect.

### ALC Meter Calibration

- With the transceiver tuned to 14.2 MHz, USB mode, set the **METER** selector to **ALC**, and inject 30 mV at 1 kHz to pin 8 of the **MIC** jack with the AF signal generator.
- Key the transmitter and adjust VR1019 on the top edge of the RF Unit so that the ALC meter deflects to the top edge of the ALC zone (S-9 on the S-meter scale).

### PO Meter Calibration (RF Unit on Ext. Bd. #1)

With the inline wattmeter and 50-Ω dummy load connected to the **ANT** jack, and the transceiver tuned to 14.2 MHz, CW mode, set the **METER** selector to the **PO** position. Key the transmitter and adjust VR1020 on the RF Unit so that the PO meter indication matches the wattmeter with 100 watts output.

### SSB Modulator Balance (AF Unit on Ext. Bd. #2)

With the transceiver tuned to 14.2 MHz, USB mode, connect the 50-dB attenuator and spectrum analyzer (or 50-Ω dummy load and sampling coupler) to the **ANT** jack. Alternatively, a separate receiver can be used, with the transceiver connected to the dummy load. Set the **MIC** control fully ccw (minimum), and adjust VR3017 on the AF Unit for minimum power output (carrier leakage) as indicated on the analyzer or external receiver.

### CW Carrier Level (AF Unit on Ext. Bd. #2)

With the transceiver tuned to 14.2 MHz, CW mode, and the wattmeter and 50-Ω dummy load connected to the **ANT** jack, set the **RF PWR** control fully clockwise, and select the ALC meter function. Key the transmitter

and adjust VR3014 on the AF Unit for maximum deflection on the meter.

### AM Carrier Level (AF Unit on Ext. Bd. #2)

With the transceiver tuned to 14.2 MHz, AM mode, and the wattmeter and 50-Ω dummy load connected to the **ANT** jack, set the **RF PWR** control fully clockwise, and select the ALC meter function. Key the transmitter and adjust VR3013 on the AF Unit for maximum deflection on the meter.

### AM Modulation Level (AF Unit on Ext. Bd. #2)

Connect the 50-dB attenuator and oscilloscope to the **ANT** jack, and set the **RF PWR** and **MIC** gain controls fully clockwise. Inject 10 mV at 1 kHz to pin 8 of the **MIC** jack with the AF signal generator.

With the transceiver tuned to 14.2 MHz, AM mode, key the transmitter and adjust VR3016 on the AF Unit for 100% modulation on the oscilloscope.

### Tx AFSK Tone Level

With the transceiver tuned to 14.2 MHz, RTTY-LSB mode, and the wattmeter and 50-Ω dummy load connected to the **ANT** jack, set the **RF PWR** control fully CW (maximum). Set the **METER** selector to **ALC**, key the transmitter, and adjust VR3007 on the top edge of the AF Unit so that the meter indicates at the top edge of the blue ALC zone (S-9 on the S-meter scale).

### Transmitter IF Gain II

- With the transceiver set to CW mode, and the 50-Ω dummy load connected to the **ANT** jack, set the **RF PWR** control fully clockwise, and select the ALC meter function.
- Tune to each of the following frequencies, key the transmitter and adjust the corresponding potentiometer on the top edge of the RF Unit for peak ALC deflection.

Tune to ...	and adjust ...
1.840 MHz	VR1001
3.750 MHz	VR1002
7.050 MHz	VR1004
10.125 MHz	VR1006
21.200 MHz	VR1008
29.000 MHz	VR1009

### Transmitter Frequency (IF Unit on Ext. Bd. #1)

Connect the 50-dB attenuator and frequency counter to the **ANT** jack. Tune to 29.000 MHz, FM mode, key the transmitter and adjust L2002 on the IF Unit so that the difference between transceiver display and the frequency counter is less than 50 Hz.

### FM & CTCSS Deviation

- Connect the attenuator and linear detector to the **ANT** jack. Tune to 29.000 MHz, FM mode, and set the **FM MIC GAIN** (inside the top access panel) to the 12-o'clock position.
- Inject 10 mV at 1 kHz from the AF generator to pin 8 of the **MIC** jack, key the transmitter, and adjust VR3008 on the top edge of the AF Unit for ± 2.3-kHz deviation (± 100 Hz).
- Remove the AF injection, press the **RPT** button (to activate the CTCSS tone generator), and adjust VR3012 on the top edge of the AF Unit for ± 0.5-kHz deviation (± 100 Hz).
- Repeat both adjustments several times.

### FM Mic Gain (in Top Panel Access)

- With the attenuator and linear detector connected to the **ANT** jack, and with the transceiver tuned to 29.000 MHz, FM mode, inject 1.5 mV at 1 kHz from the AF generator to pin 8 of the **MIC** jack.

Key the transmitter and adjust the **FM MIC GAIN** (VR3005 on the AF Unit, inside the top access panel) for ± 1.75-kHz deviation (± 100 Hz).

### Speech Processor (IF Unit on Ext. Bd. #1)

- Set the **RF PWR** control fully clockwise, and the **PROC** and **MIC** controls to their 12-o'clock positions, and select the USB mode on 14.2 MHz. Select the ALC meter function, and press the **PROC** button to activate the speech processor.

For Service Manuals Contact  
**MAURITRON TECHNICAL SERVICES**  
 8 Cherry Tree Rd. Chinnor  
 Oxon OX9 4QY  
 Tel: 01844-251694 Fax: 01844-352554  
 Email: enquiries@mauritron.co.uk

- Inject 10 mV audio at 1 kHz to pin 8 of the **MIC** jack with the AF signal generator, key the transmitter and adjust T2024 on the IF Unit for peak meter deflection (adjust the **PROC** control setting, if necessary, to maintain deflection just below mid-scale).
- Adjust the **PROC** control so the meter deflects just below mid-scale, and adjust T2025 on the IF Unit for peak deflection (reduce the **PROC** control setting, if necessary, to maintain deflection just below mid-scale).
- Turn the **PROC** control fully clockwise and adjust T2009 on the IF Unit for peak ALC meter deflection.

#### COMP Meter Calibration (IF Unit on Ext. Bd. #1)

- With the same test equipment setup as in the previous step (14.2 MHz, USB mode, ALC meter selection), set the **PROC** control to the 12-o'clock position, and set the **MIC** gain control fully clockwise.
- Inject 3 mV audio at 1 kHz to pin 8 of the **MIC** jack with the AF signal generator.
- Key the transmitter and adjust the **RF PWR** control so the ALC indication on the meter deflects to the 100-watt marking on the PO scale. Then adjust the **MIC** gain control so the ALC indication on the meter deflects to the 50-watt marking on the PO scale.
- Switch the meter to the **COMP** scale and adjust VR2011 on the IF Unit so the meter just begins to deflect.
- Increase the AF injection to 30 mV, and adjust VR2010 for 20-dB indication on the **COMP** scale.

#### VCC Meter Calibration

Set the **METER** selector to the **VCC** position. In the USB mode, with no microphone input, press the **MOX** button and adjust VR9002 on the Regulator Unit so that the transceiver's meter deflects to the 13.5-volt mark on the VCC scale.

#### IC Meter Calibration

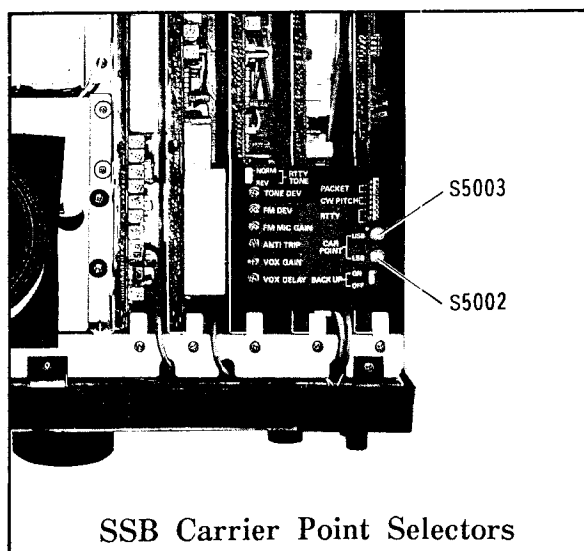
Set the transceiver to CW mode at 14.200 MHz, and set the **RF PWR** control fully clockwise. Set the **METER** selector to the **IC** position, and adjust VR9001 on the Regulator Unit so that the transceiver's meter deflects to the 16-amp mark on the IC scale.

#### Antenna Tuner Power

Tuned to 14.2 MHz with the wattmeter and dummy load connected, set the **RF PWR** control fully ccw (minimum). Press the **START** button and, while the tuner has the transmitter activated, adjust VR1012 on the top edge of the RF Unit, if necessary, for  $5 \pm 0.5$  W output.

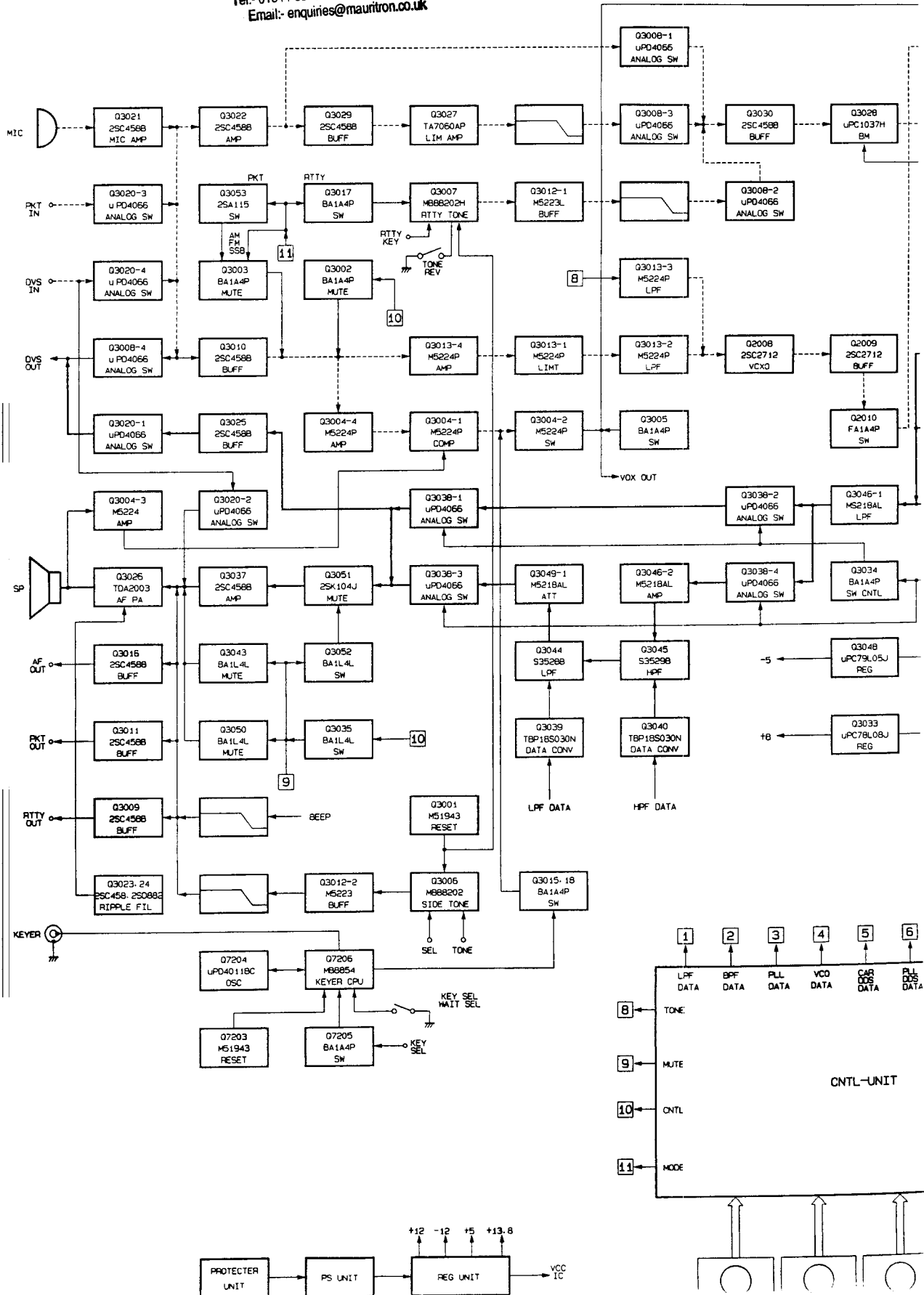
#### Transmitter Carrier Point

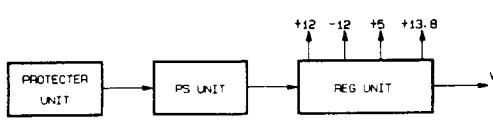
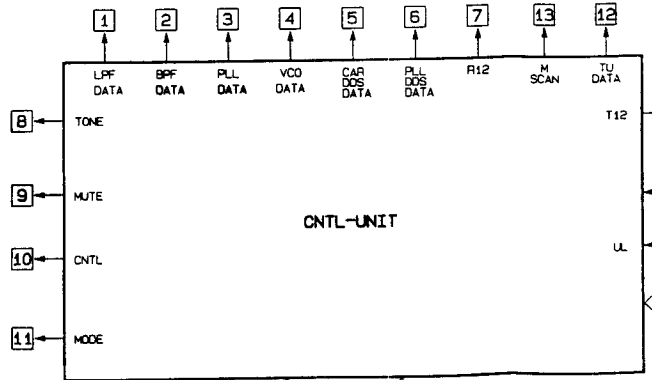
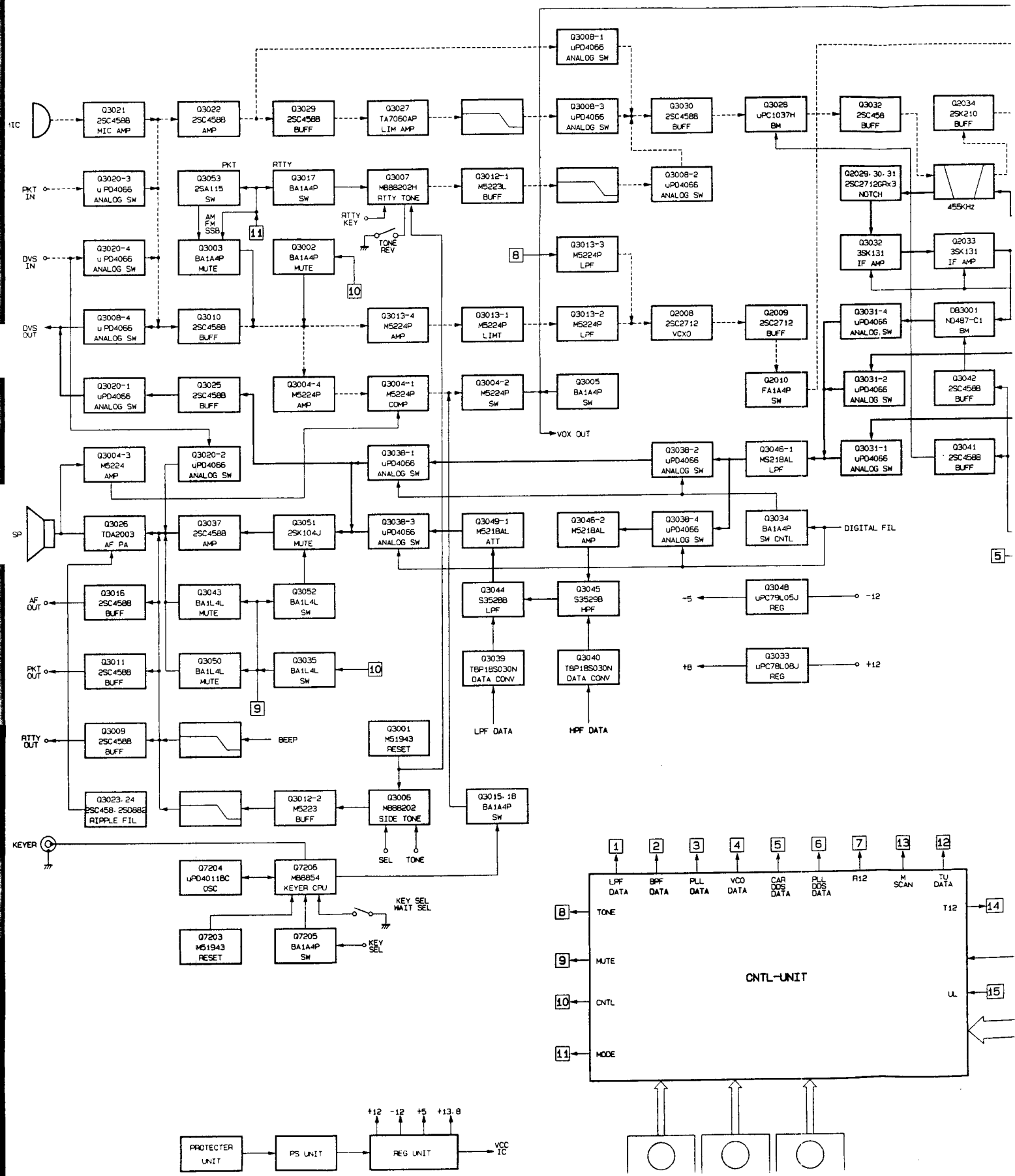
- Connect the AF signal generator to pin 8 of the **MIC** jack, and set the transceiver to LSB mode. Set the **MIC** gain and **RF PWR** controls fully CW (maximum). Key the transmitter and adjust the AF injection *frequency* for maximum output power, and then adjust the injection *level* for 80 watts output.
- Tune the AF generator to 350 Hz, and adjust rotary selector S5002 (on the Control Unit, accessible from the top panel) for 20 watts output.
- Now select the USB mode and adjust selector S5003 for 20 watts output.
- Retune the AF generator to 2600 Hz, and confirm at least 20 watts output in both LSB and USB modes.

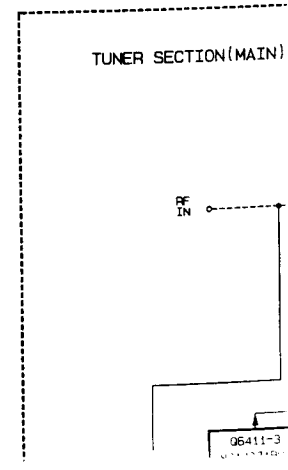
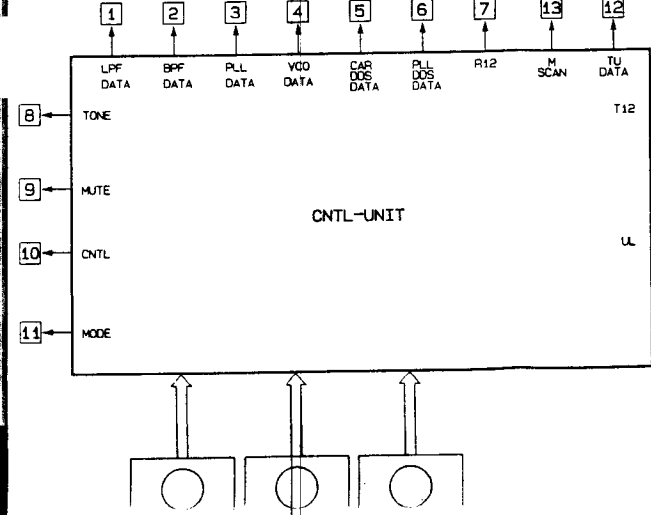
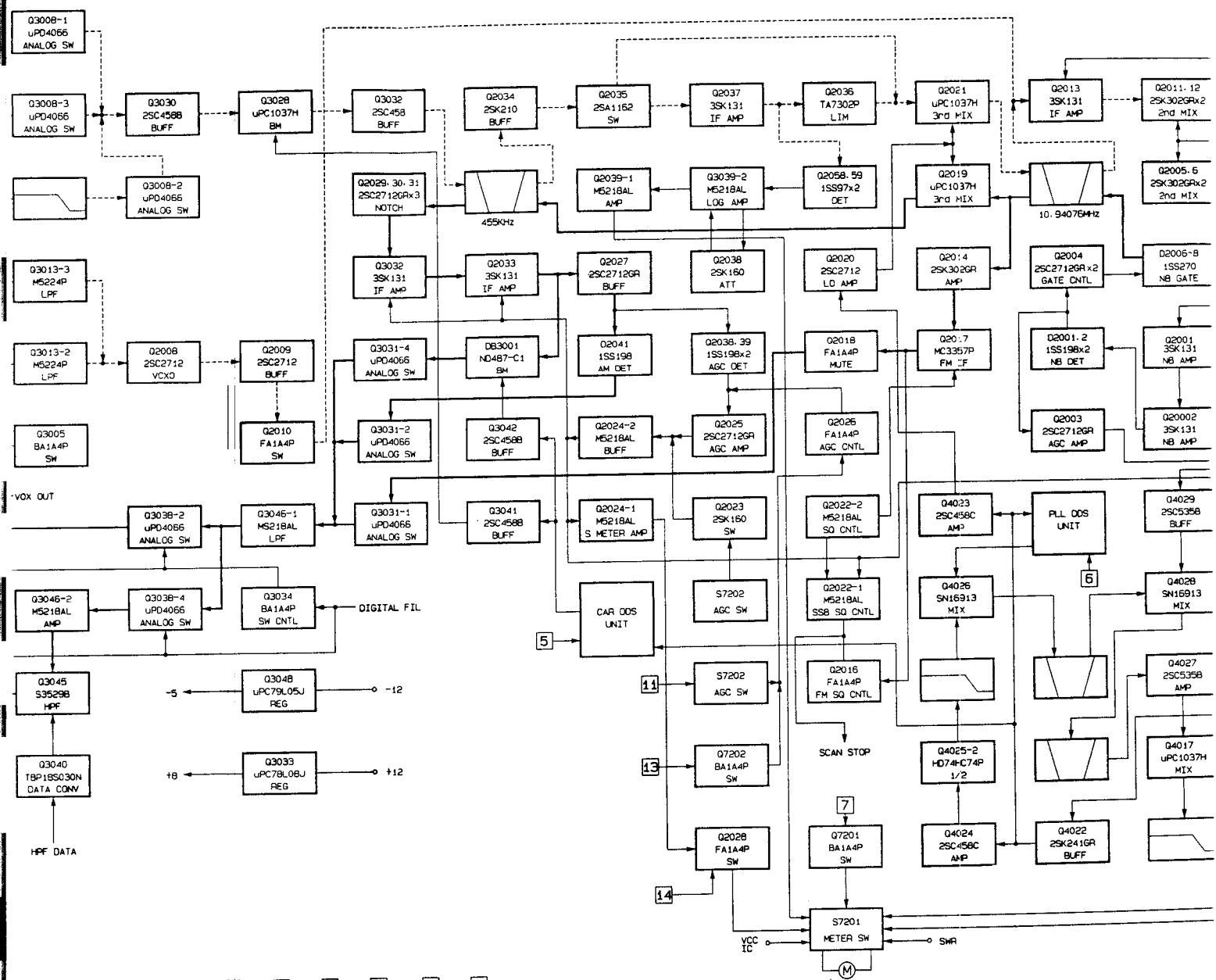


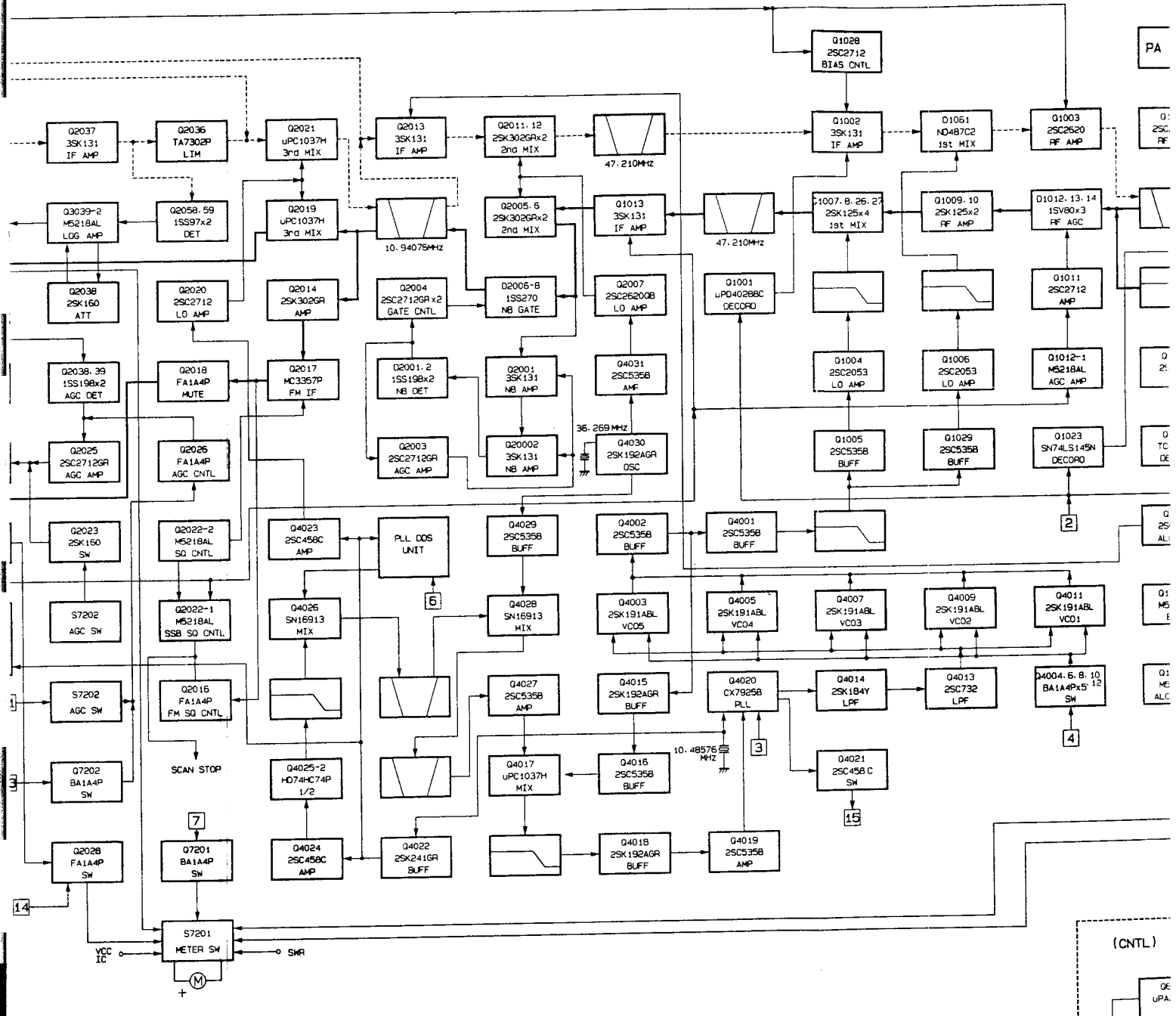
SSB Carrier Point Selectors

For Service Manuals Contact  
**MAURITRON TECHNICAL SERVICES**  
 8 Cherry Tree Rd, Chinnor  
 Oxon OX9 4QY  
 Tel: 01844-351694 Fax: 01844-352554  
 Email: enquires@mauritron.co.uk

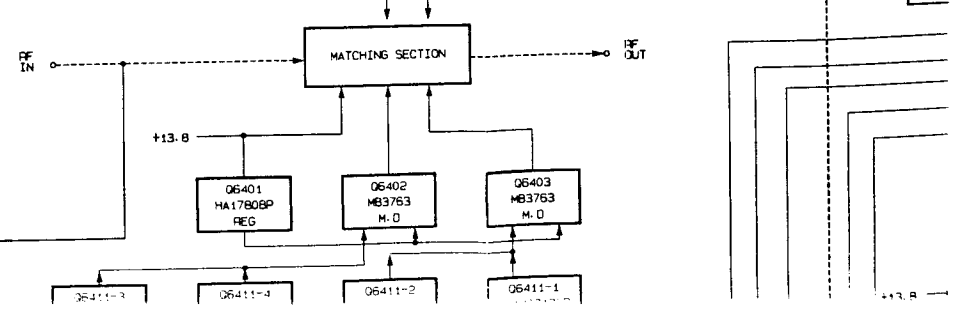




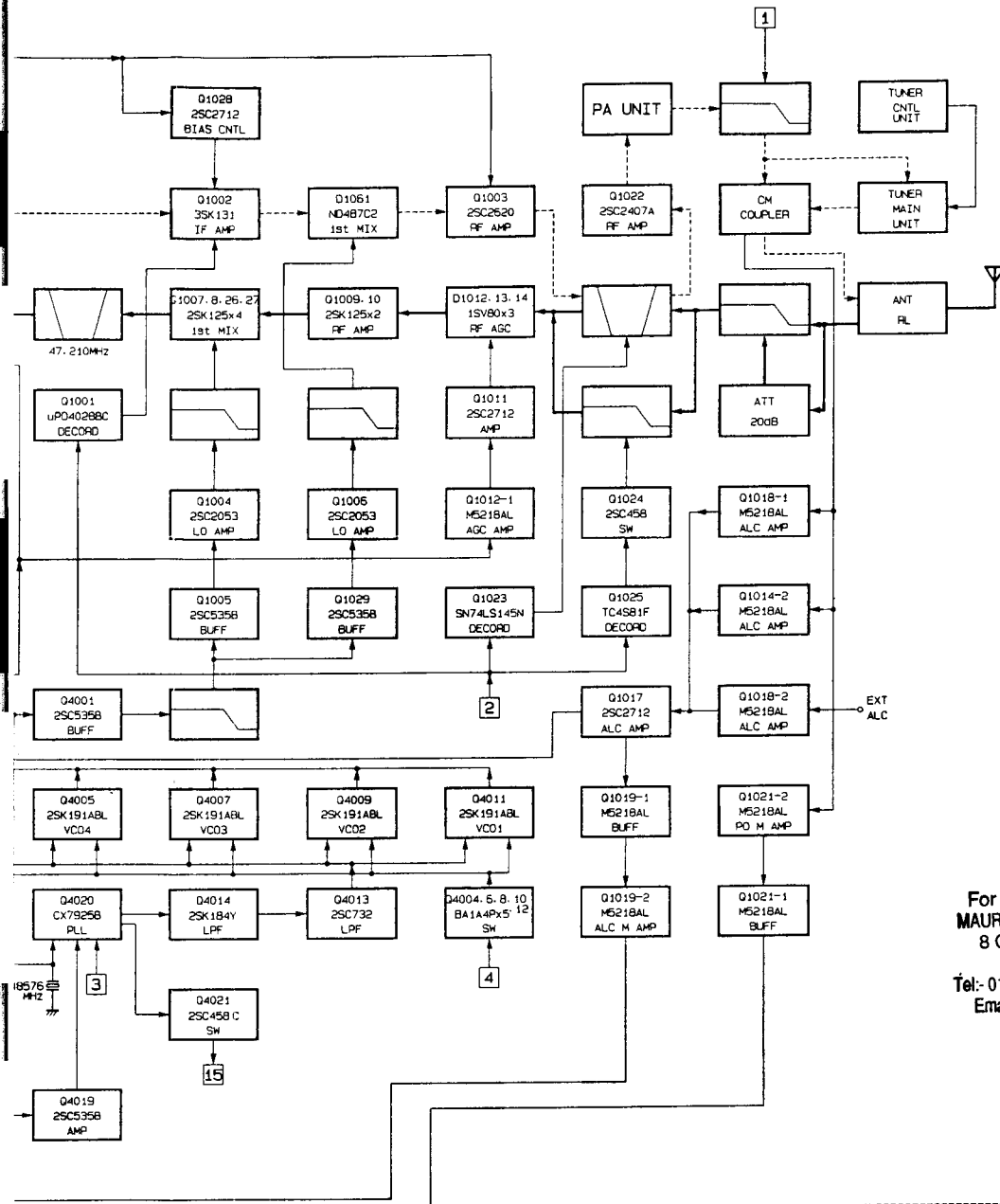




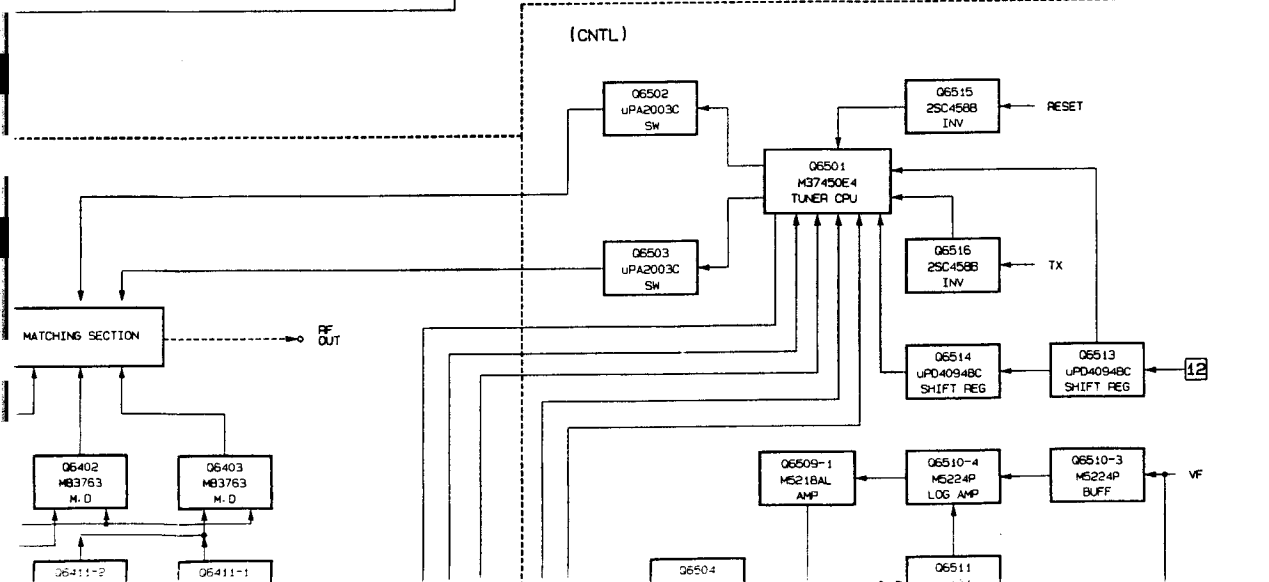
TUNER SECTION (MAIN)



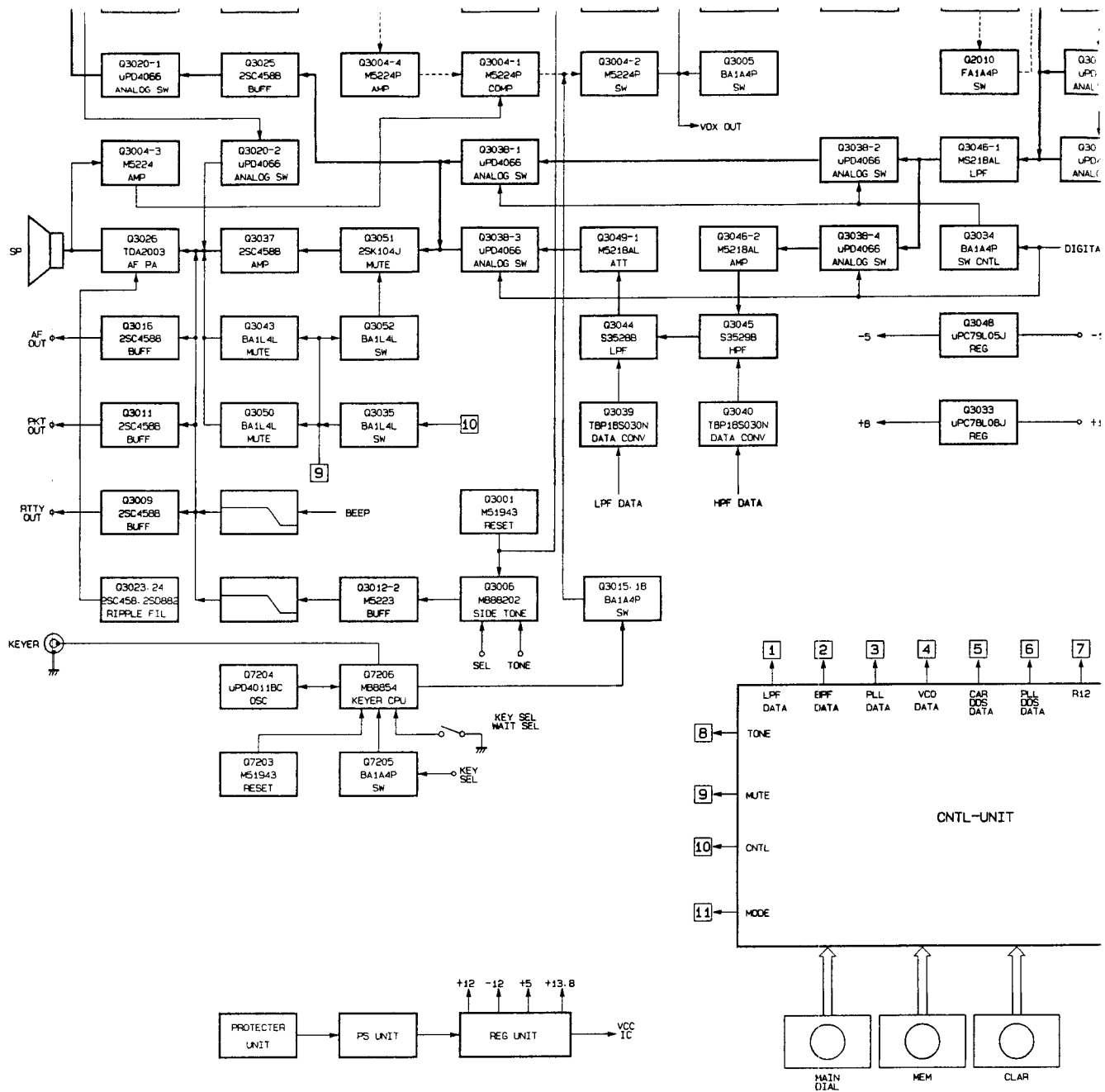
# Block Diagram

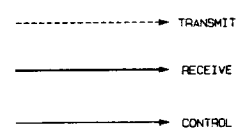
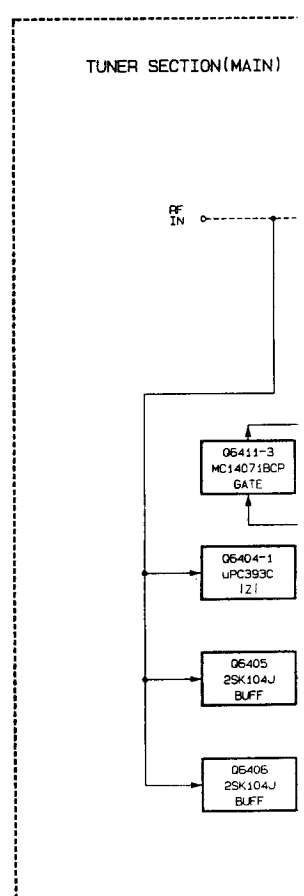
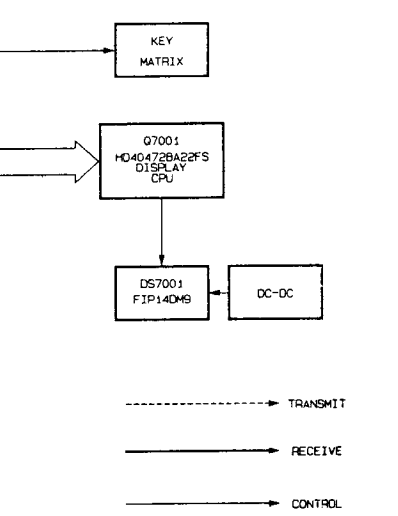
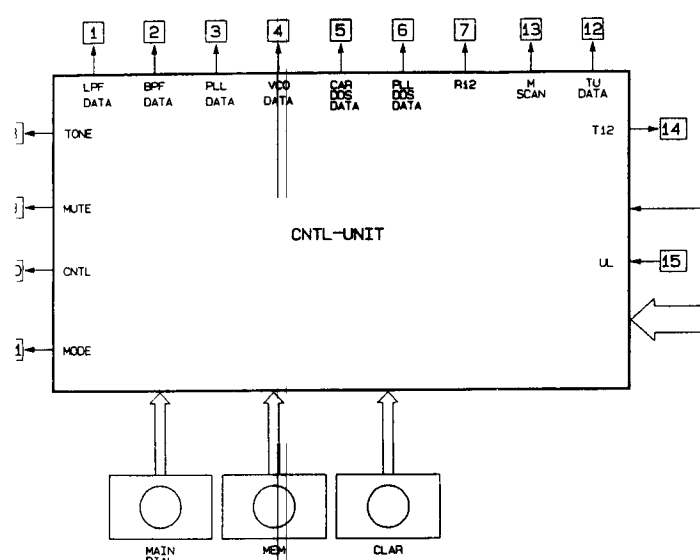
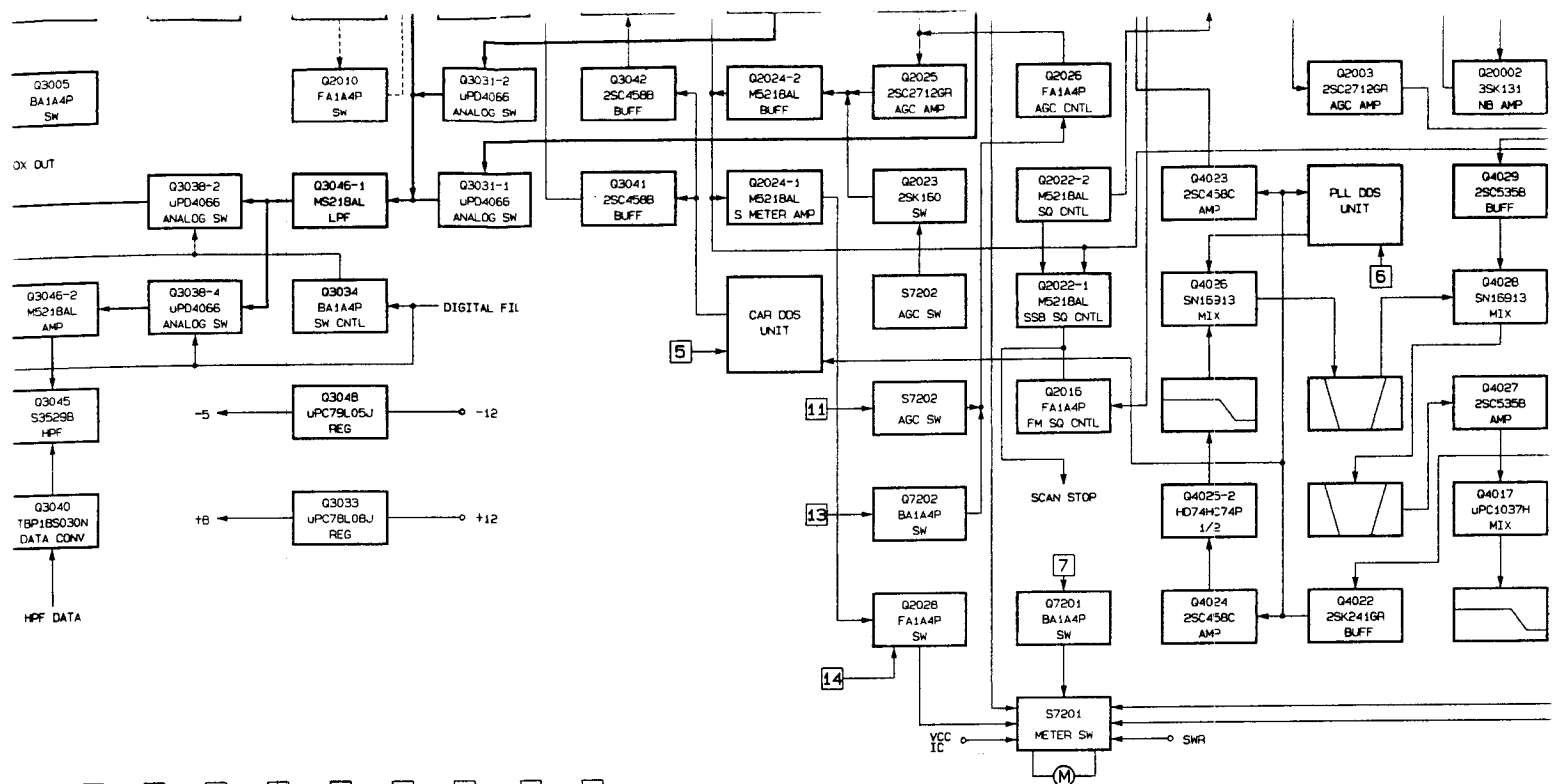


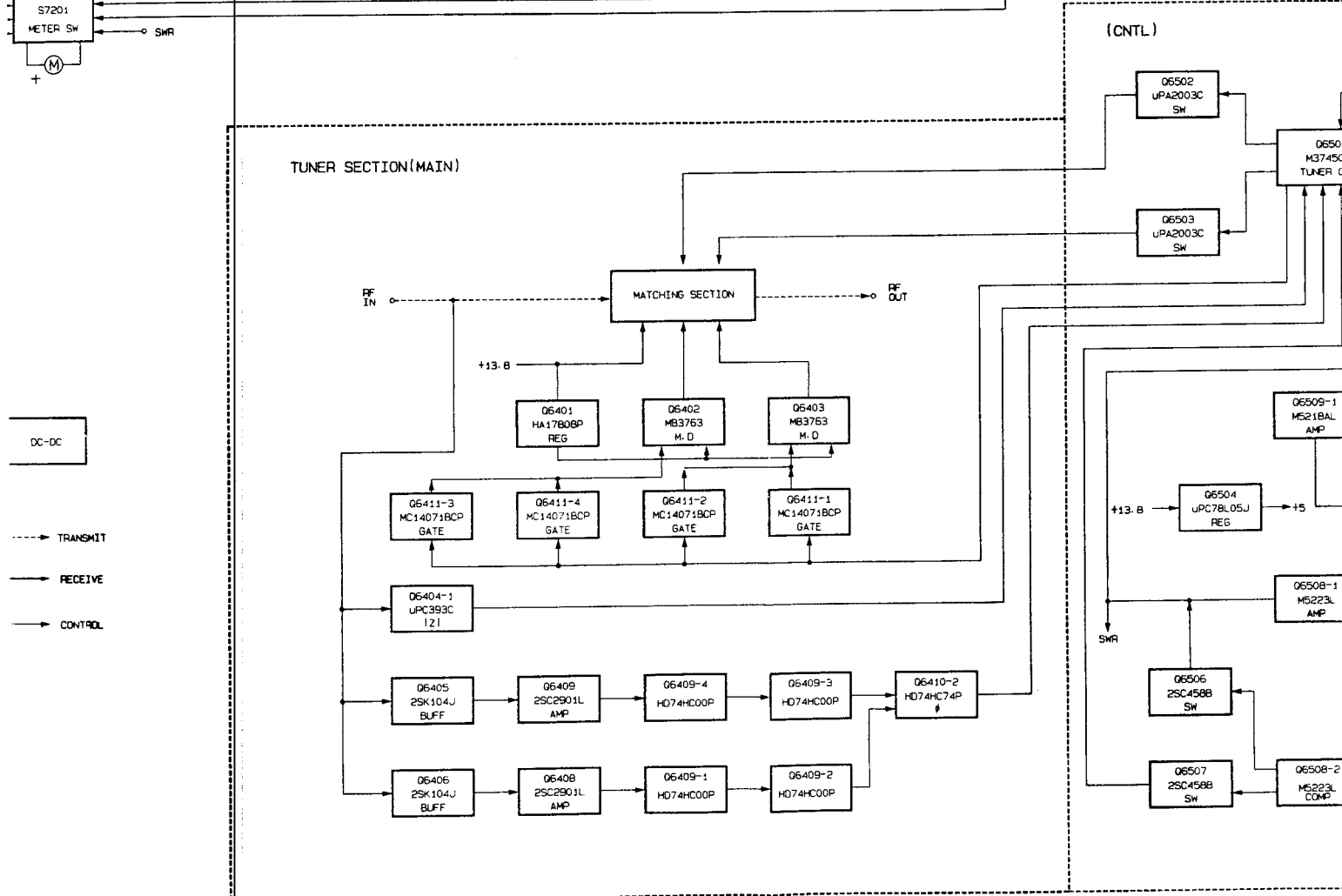
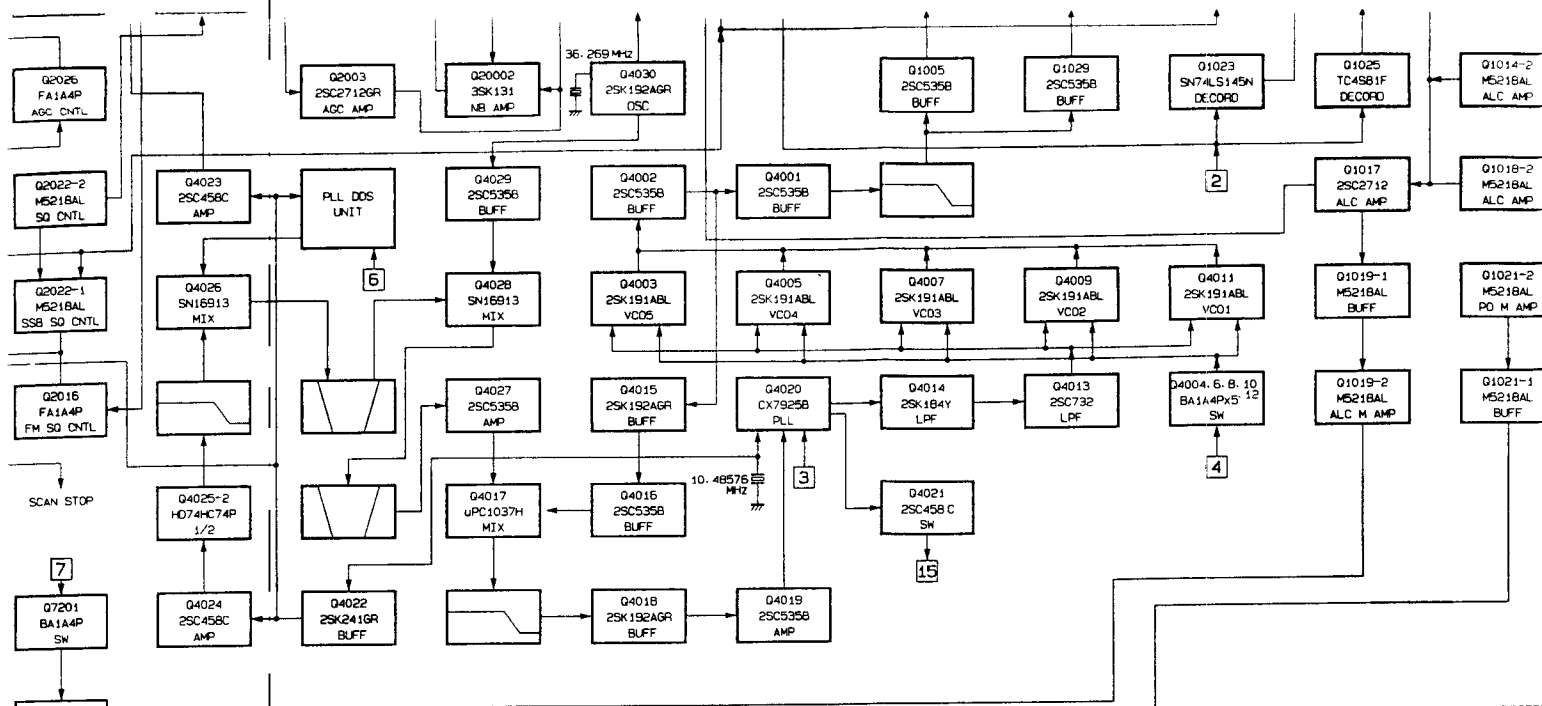
For Service Manuals Contact  
**MAURITRON TECHNICAL SERVICES**  
 8 Cherry Tree Rd, Chinnor  
 Oxon OX9 4QY  
 Tel: 01844-351694 Fax: 01844-352554  
 Email: enquiries@mauritron.co.uk





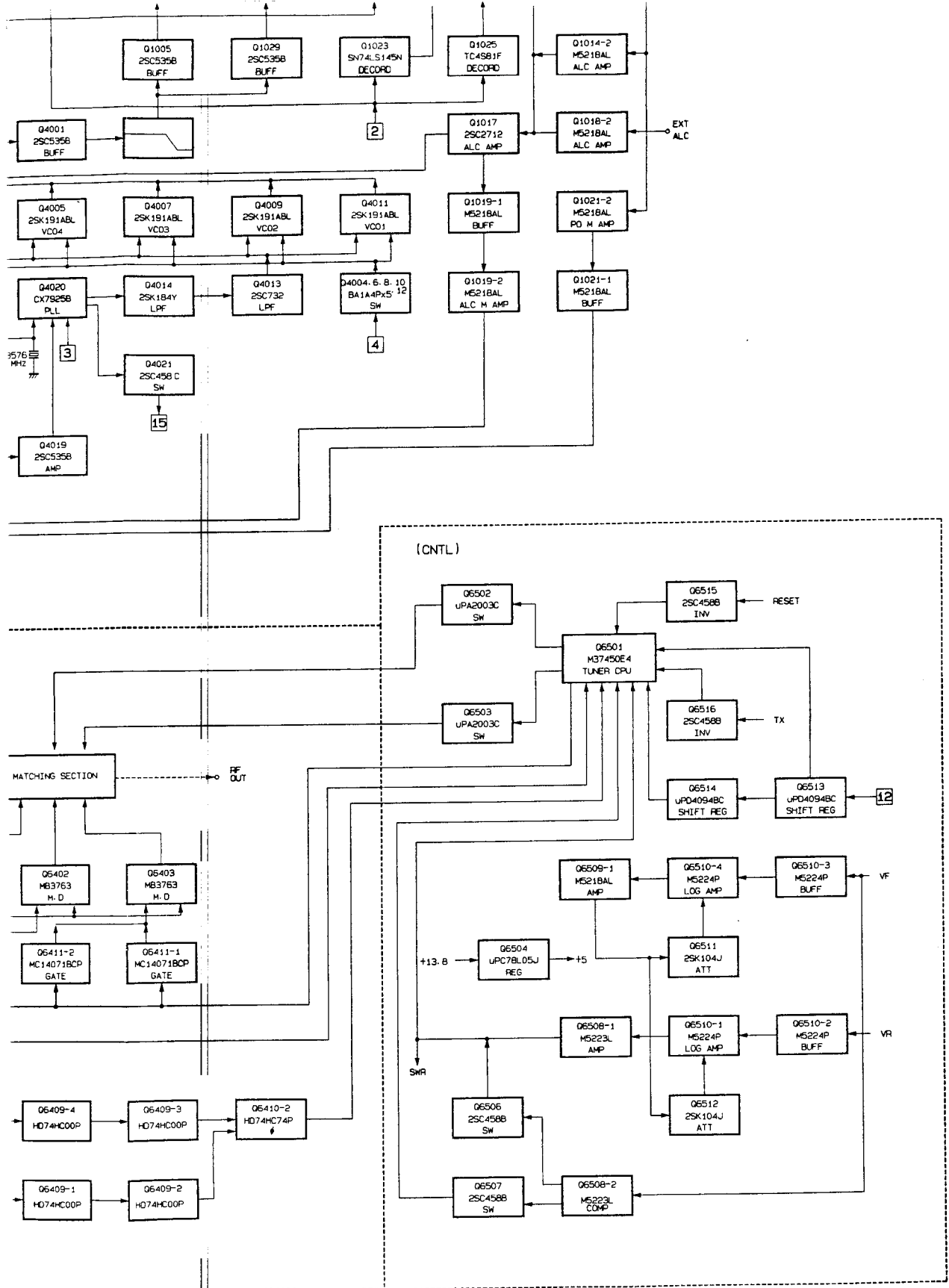






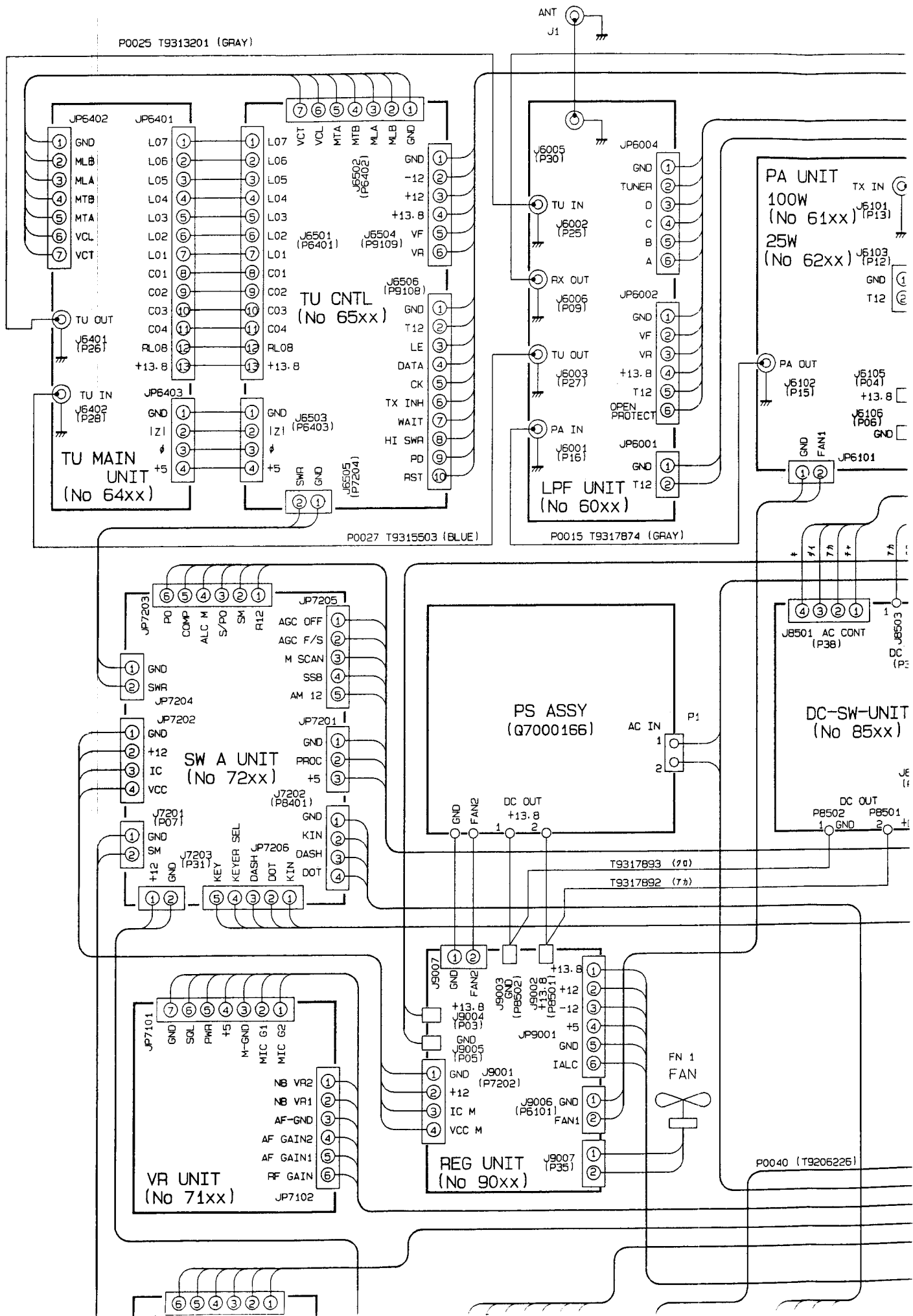
DC-DC  
 --- TRANSMIT  
 --- RECEIVE  
 --- CONTROL

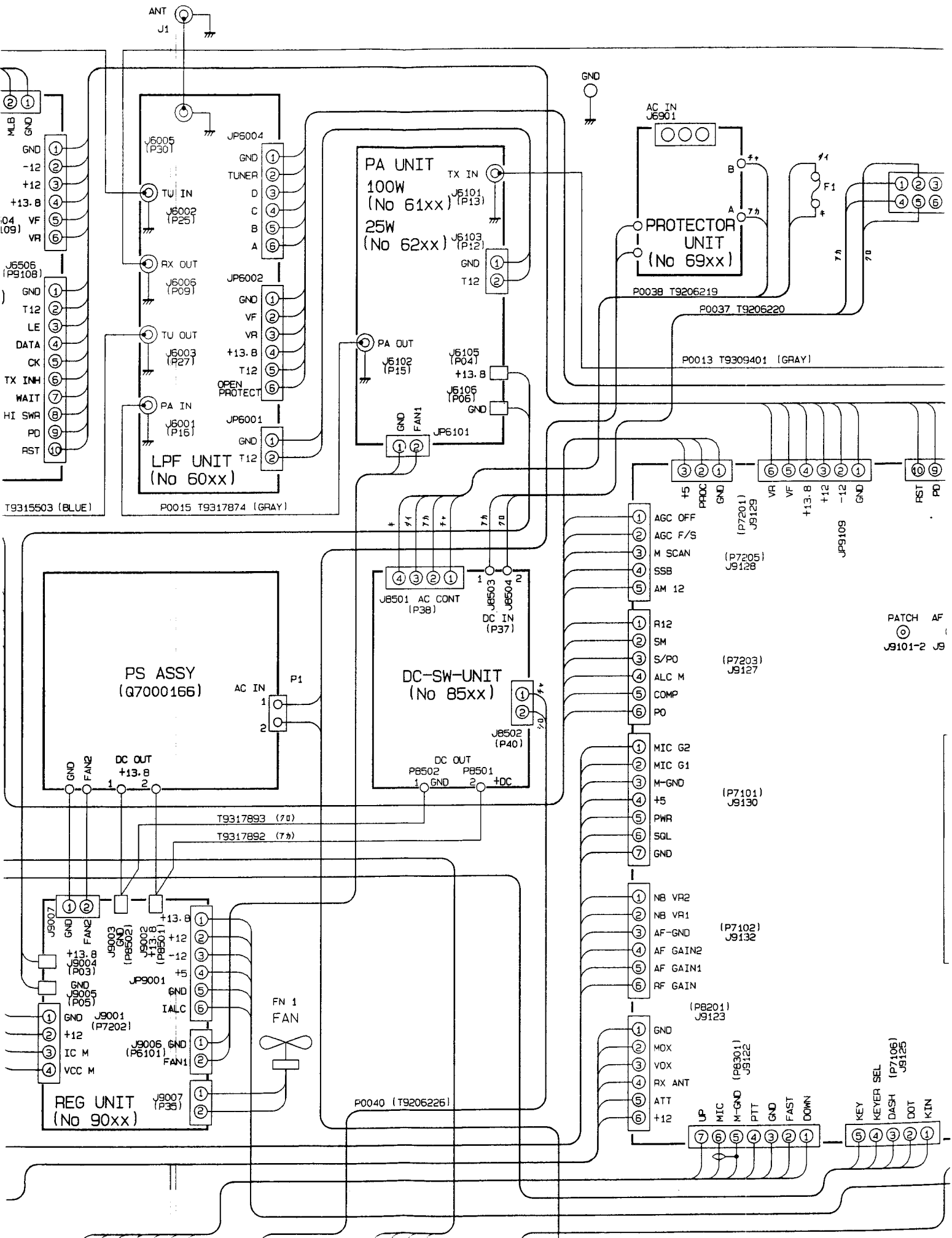
For Service Manuals Contact  
**MAURITRON TECHNICAL SERVICES**  
 8 Cherry Tree Rd, Chinnor  
 Oxon OX9 4QY  
 Tel: 01844-351694 Fax: 01844-352554  
 Email: enquiries@mauritron.co.uk

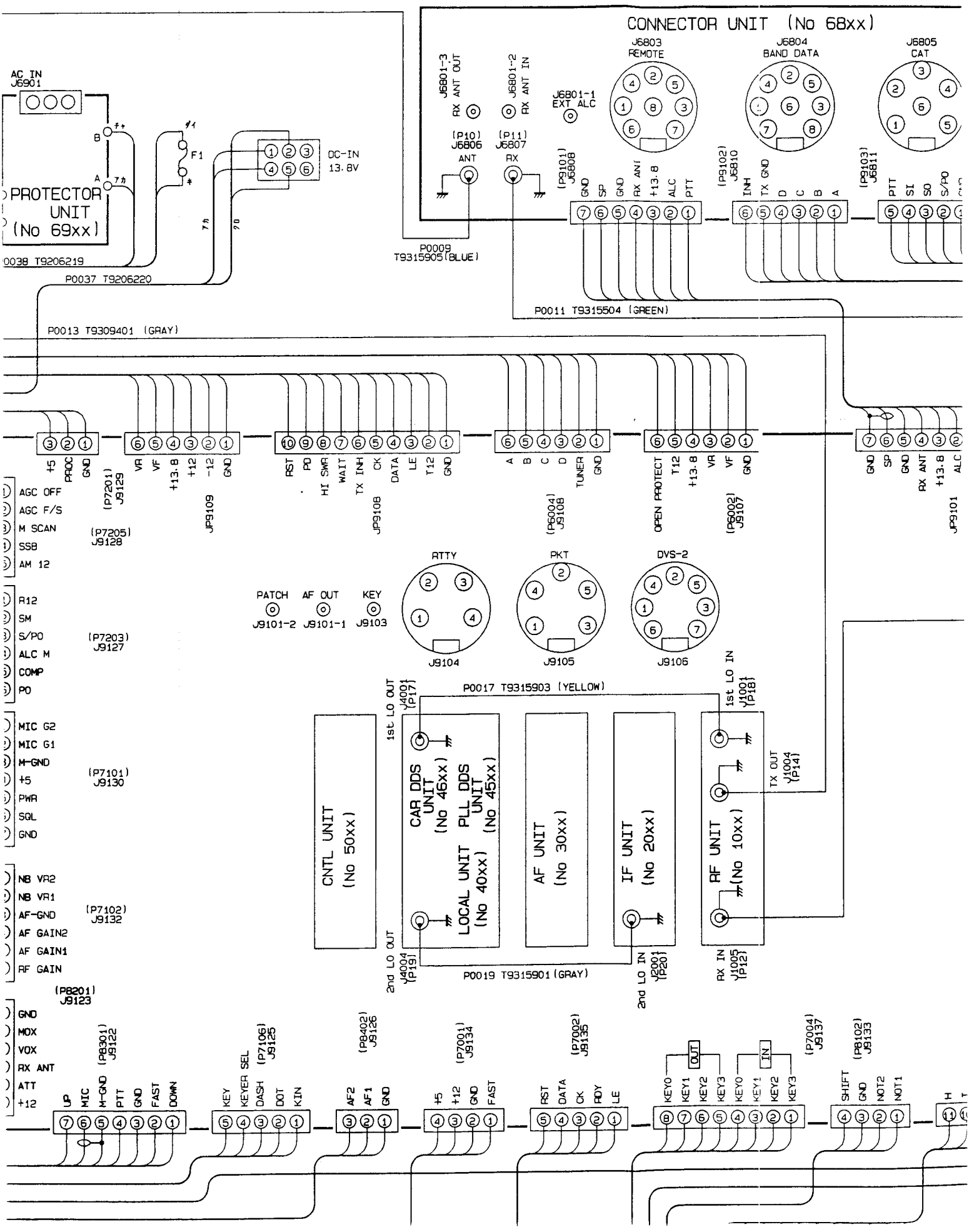


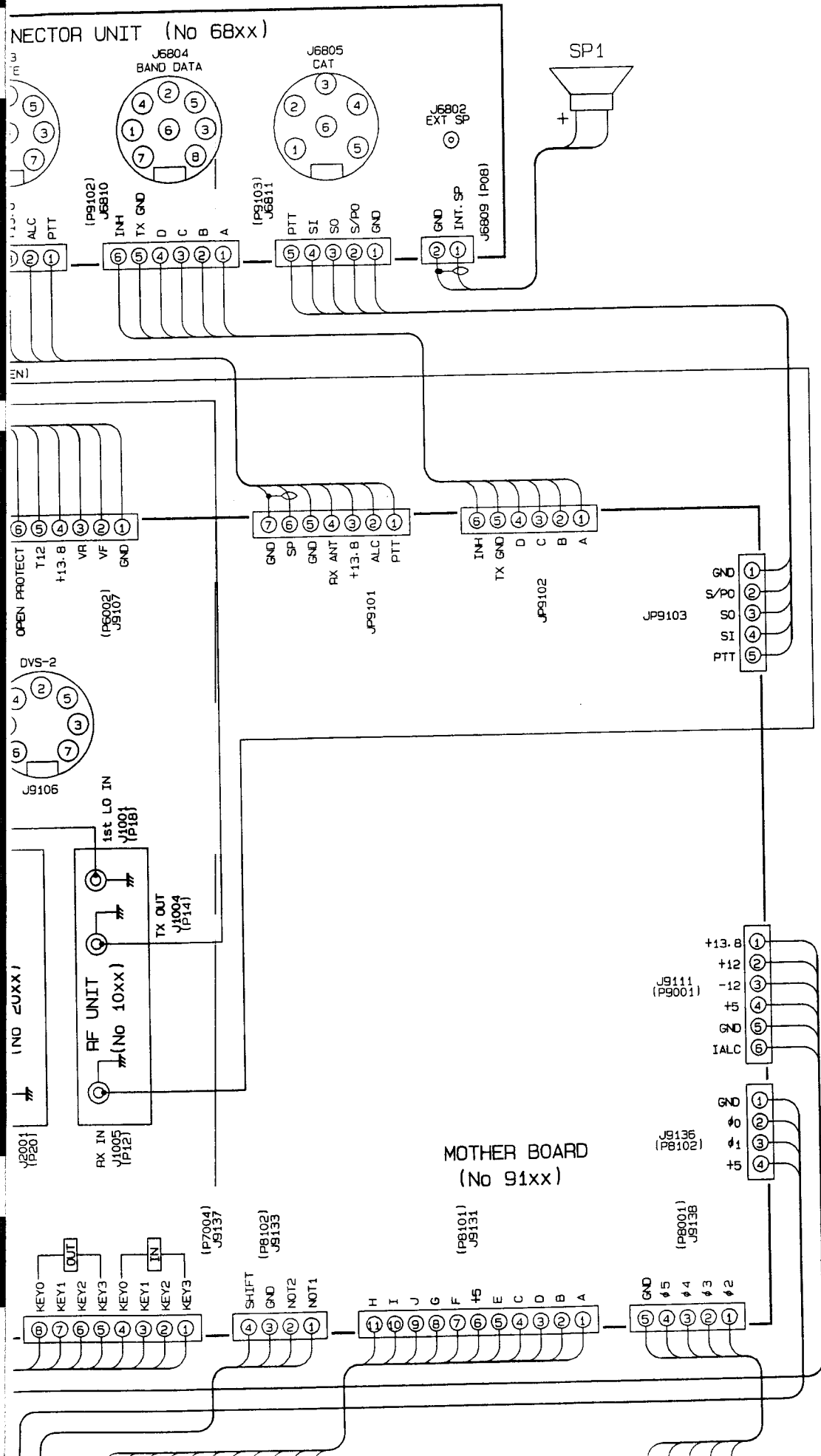
BLOCK DIAGRAM

# Interconnection Diagram

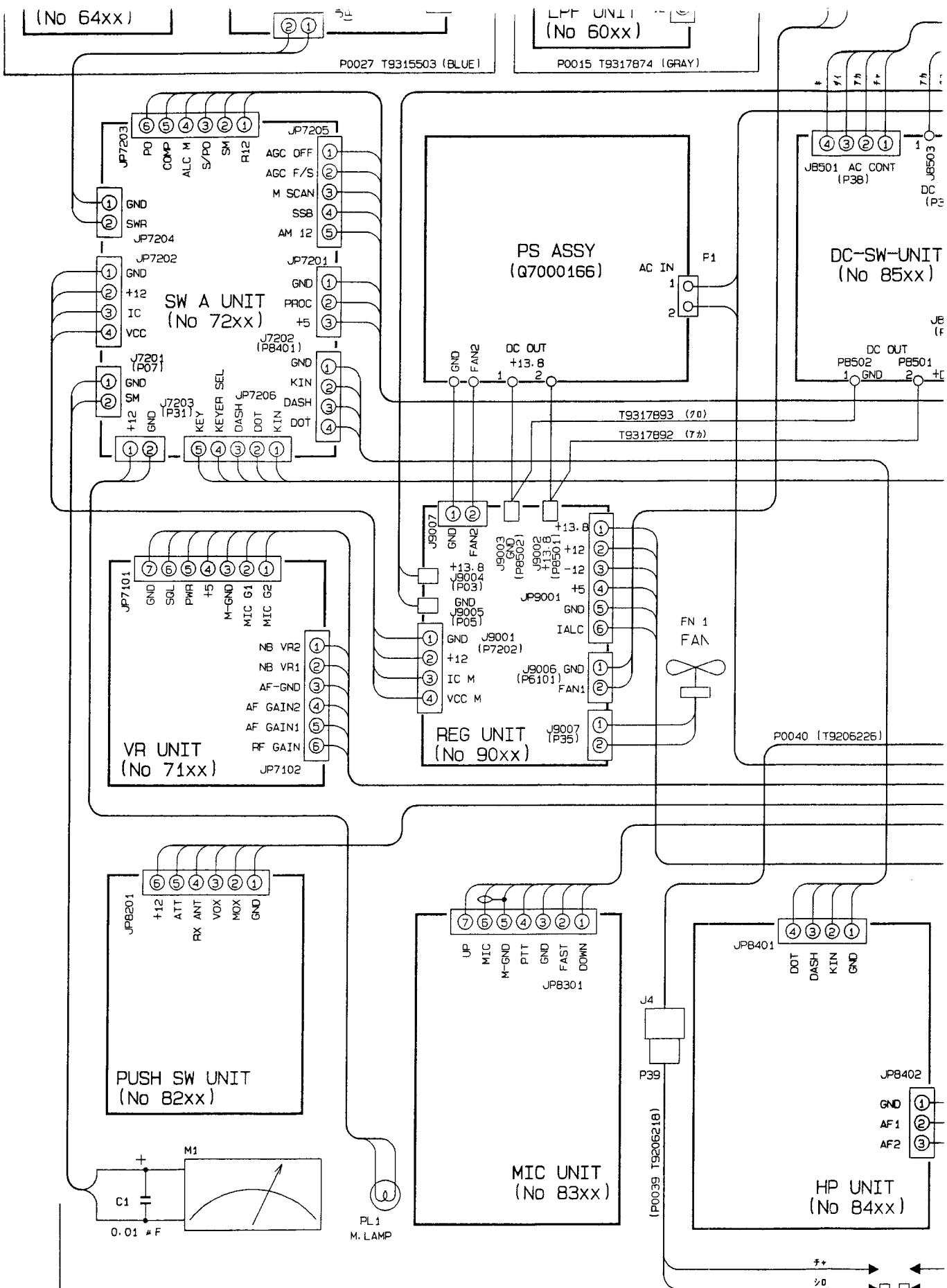




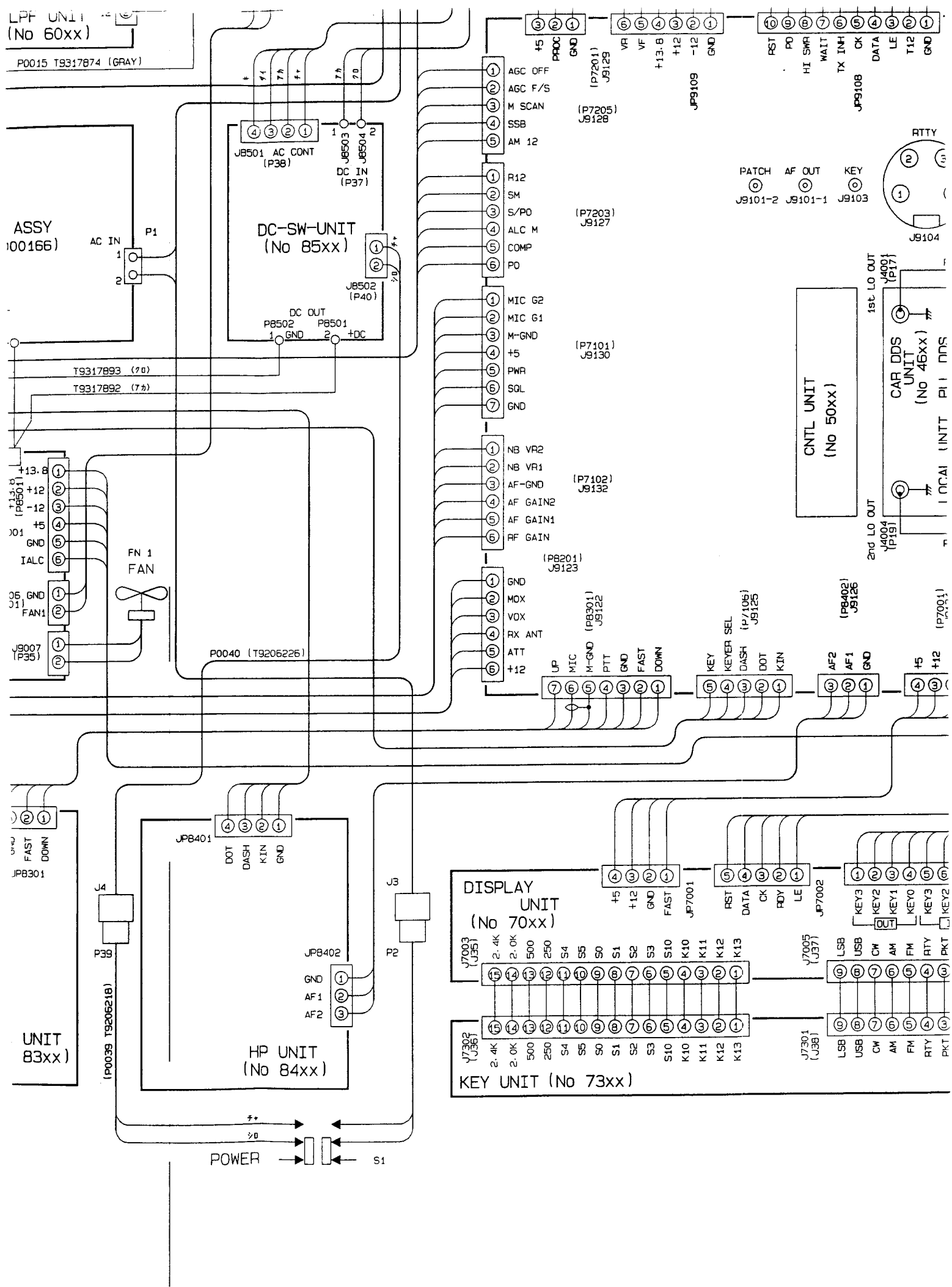








For Service Manuals Contact  
**MAURITRON TECHNICAL SERVICES**  
 8 Cherry Tree Rd, Chinnor  
 Oxon OX9 4QY  
 Tel:- 01844-351694 Fax:- 01844-352554  
 Email:- enquiries@mauritron.co.uk



LPF UNIT  
(No 60xx)

ASSY  
100166)

DC-SW-UNIT  
(No 85xx)

FN 1  
FAN

UNIT  
83xx)

HP UNIT  
(No 84xx)

DISPLAY  
UNIT  
(No 70xx)

KEY UNIT (No 73xx)

CNTL UNIT  
(No 50xx)

CAR DDS  
UNIT  
(No 46xx)

P0015 T9317874 (GRAY)

JB501 AC CONT  
(P38)

JB502  
(P40)

P0040 (T9206226)

J4

J3

P39

P2

POWER

S1

T9317893 (7b)

T9317892 (7a)

J9007  
(P35)

J9007  
(P35)

JP8301

JP8401

JP8402

J7003  
(J35)

J7302  
(J36)

JP7002

J7005  
(J37)

J7301  
(J38)

+5 PPROC GND  
(P7201) J9129  
VR VF +13.8 +12 -12 GND  
RST PD HI SWR WAIT TX INH CK DATA LE T12 GND  
JP9109 JP9108

AGC OFF (P7201) J9129  
AGC F/S (P7205) J9128  
M SCAN  
SSB  
AM 12  
R12 (P7203) J9127  
SM  
S/PO  
ALC M  
COMP  
PO  
MIC G2  
MIC G1  
M-GND (P7101) J9130  
+5  
PWR  
SQL  
GND  
NB VR2  
NB VR1 (P7102) J9132  
AF-GND  
AF GAIN2  
AF GAIN1  
RF GAIN  
GND (P8201) J9123  
MOX  
VOX  
RX ANT  
ATT +12  
UP MTC M-GND (P8301) J9122  
PTT GND FAST DOWN  
KEY KEY SEL (P7106) J9126  
KEYER DASH DOT KIN  
AF2 AF1 GND +5 +12

RTTY  
PATCH AF OUT KEY  
J9101-2 J9101-1 J9103  
J9104

1st LO OUT (P17)  
CAR DDS UNIT (No 46xx)  
2nd LO OUT (P19)  
I OCAI (INTT PI I PMS)

(P8402) J9126

(P7001)

FAST DOWN

JP8301

DOT DASH KIN GND

GND AF1 AF2

+5 +12 GND FAST

J7001

RST DATA CK PDY LE

J7002

2.4K 2.0K 500 250 S4 S5 S0 S1 S2 S3 S10 K10 K11 K12 K13

J7003

2.4K 2.0K 500 250 S4 S5 S0 S1 S2 S3 S10 K10 K11 K12 K13

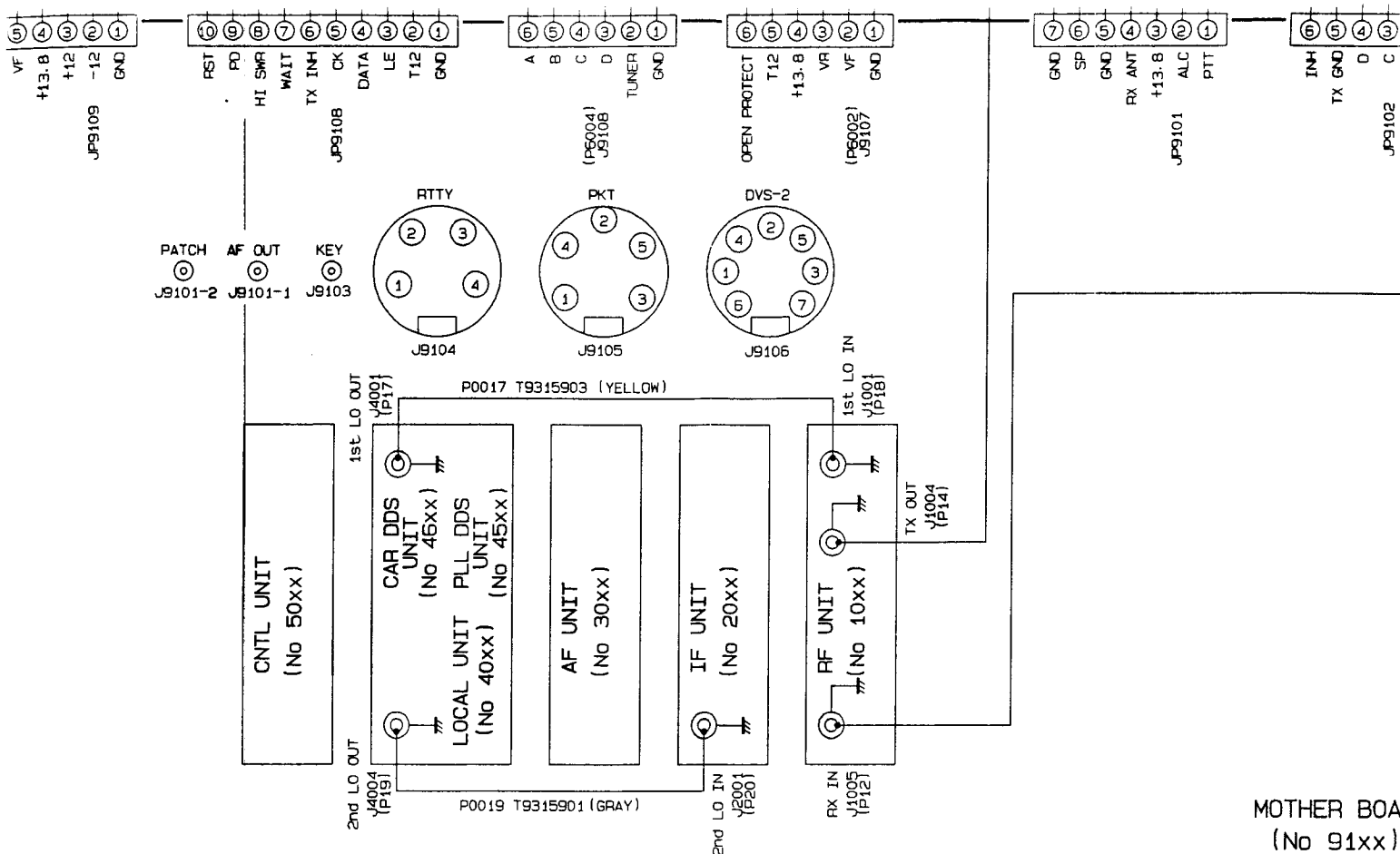
J7302

LSB USB CW AM FM RTY PKT

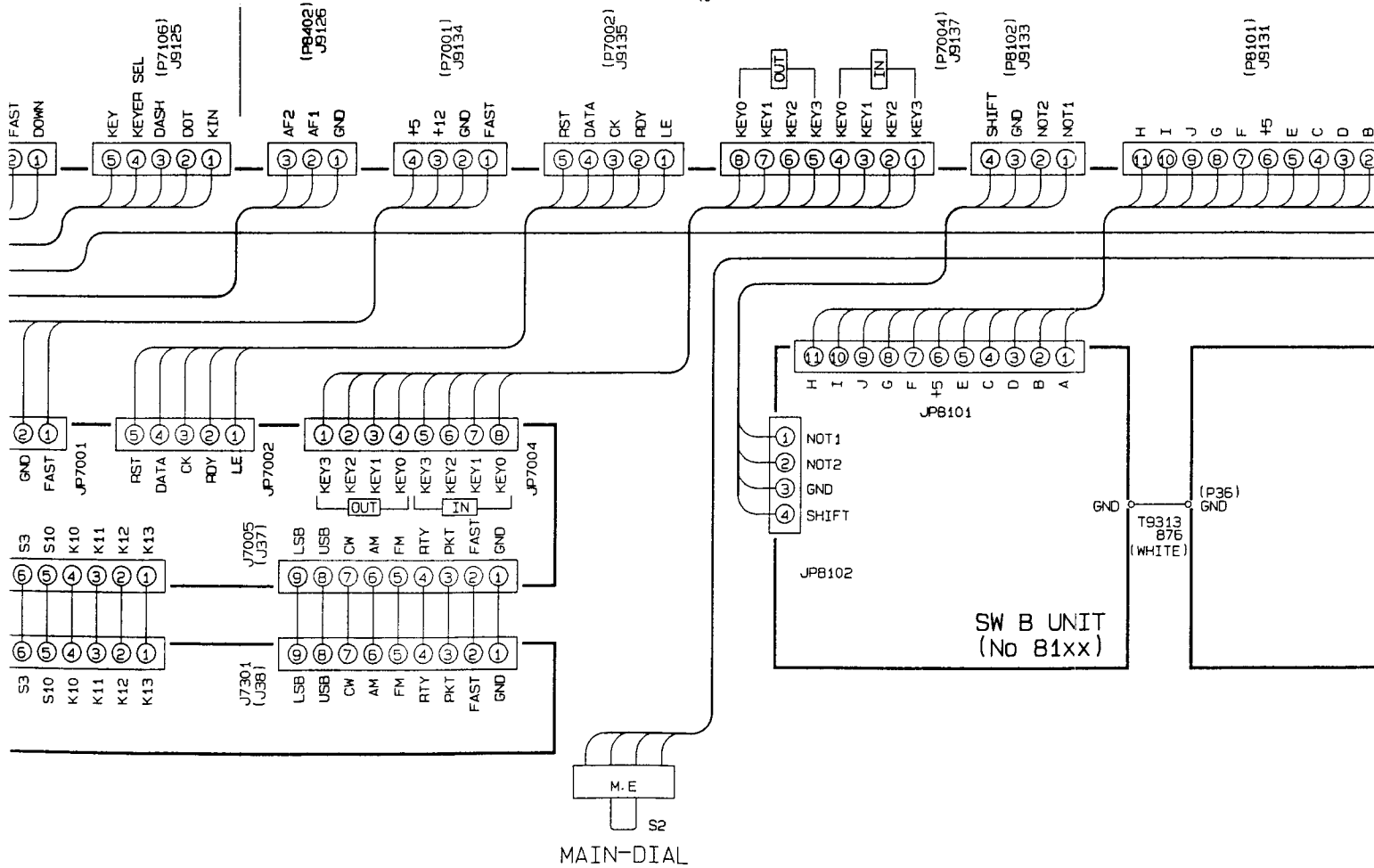
J7005

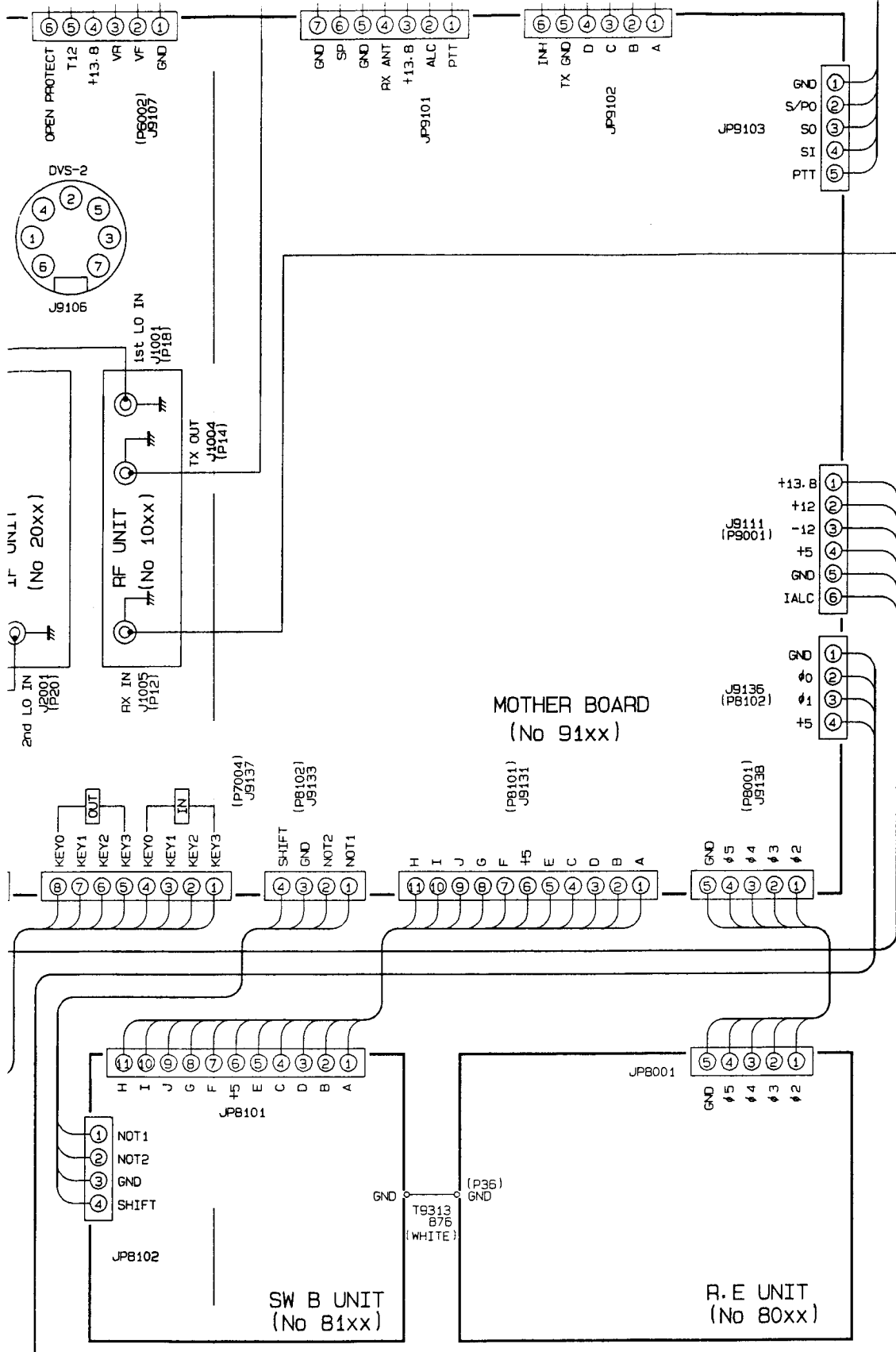
LSB USB CW AM FM RTY PKT

J7301



MOTHER BOA  
(No 91xx)

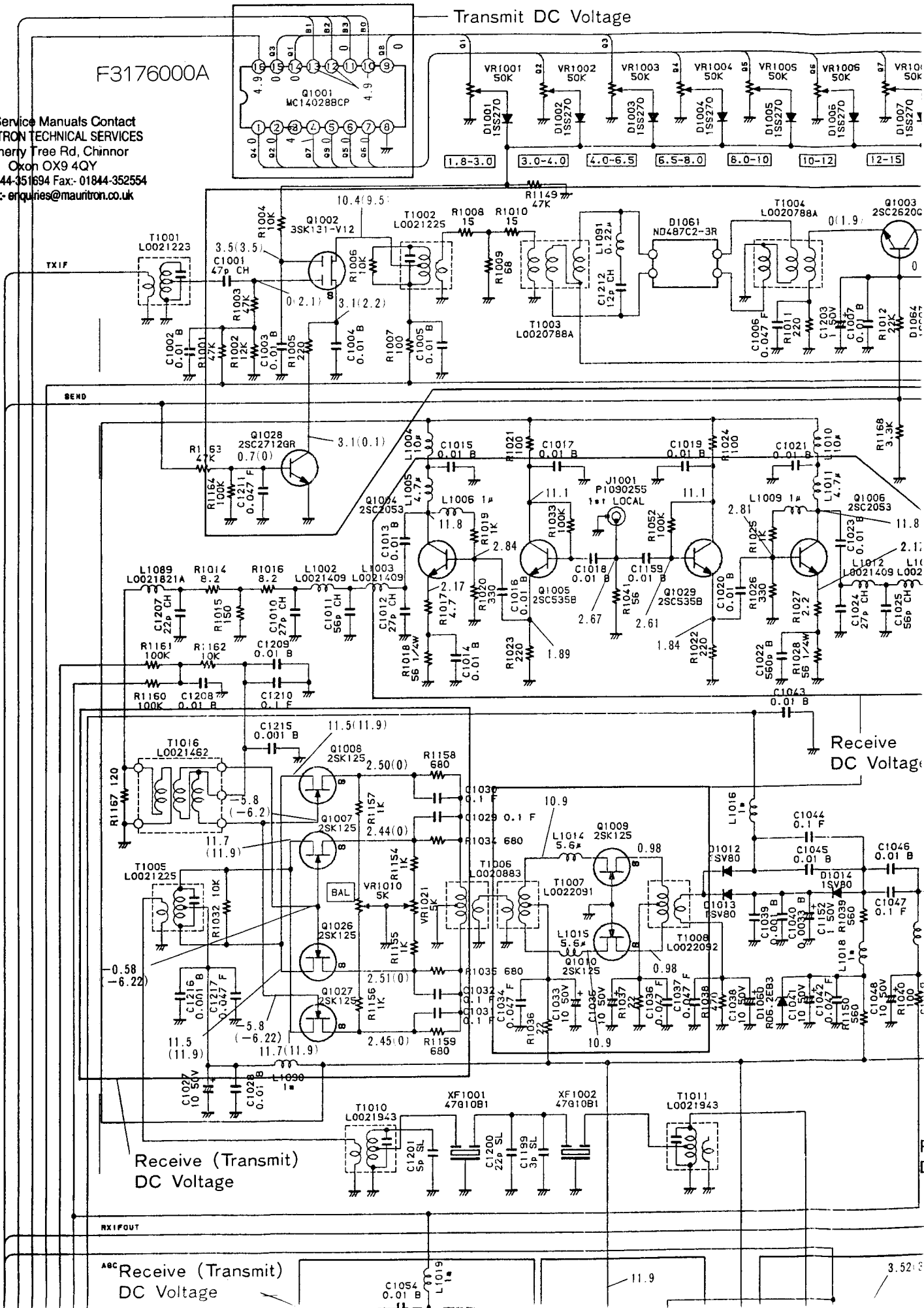




F3176000A

For Service Manuals Contact  
MAURITRON TECHNICAL SERVICES  
8 Cherry Tree Rd, Chinnor  
Oxon OX9 4QY  
Tel: 01844-351694 Fax: 01844-352554  
Email: enquiries@mauritron.co.uk

Transmit DC Voltage

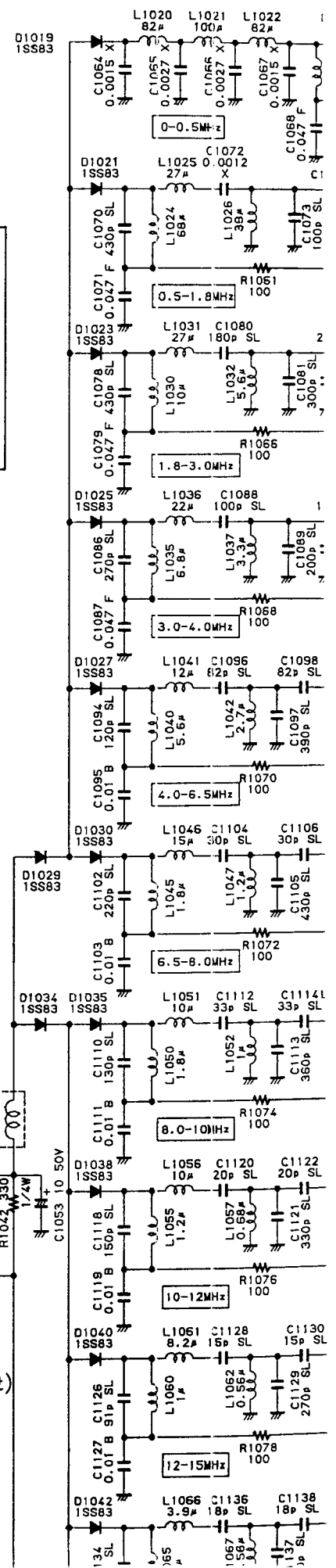
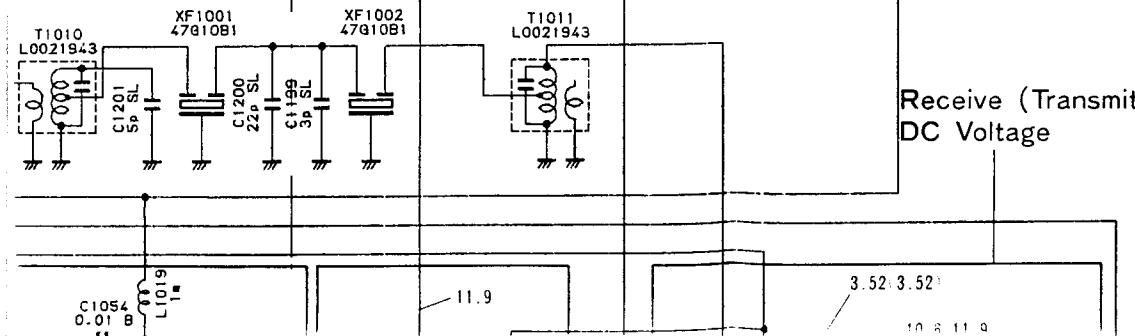
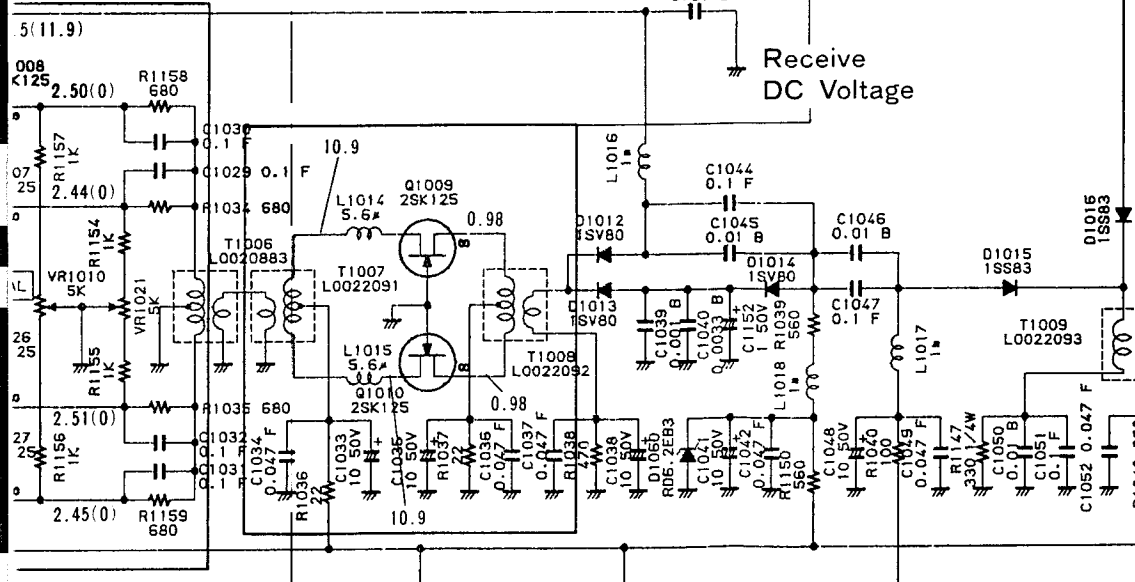
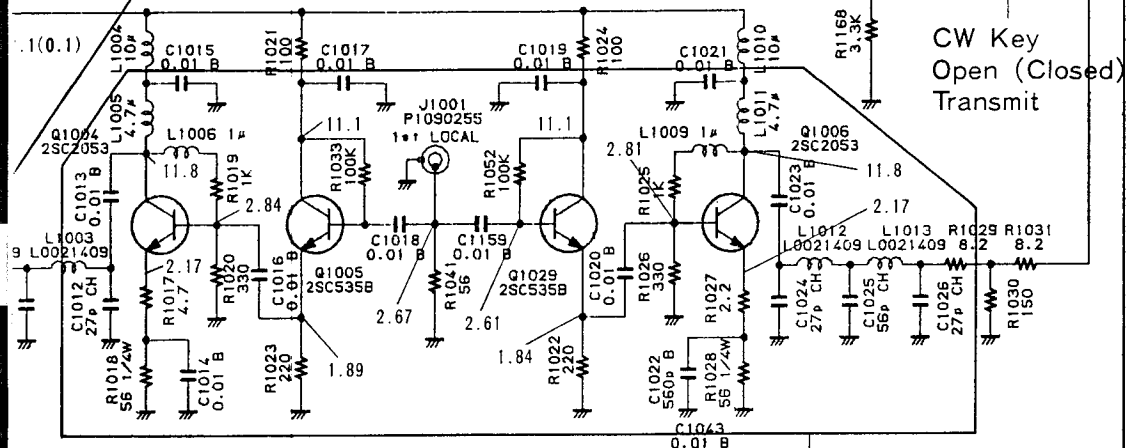
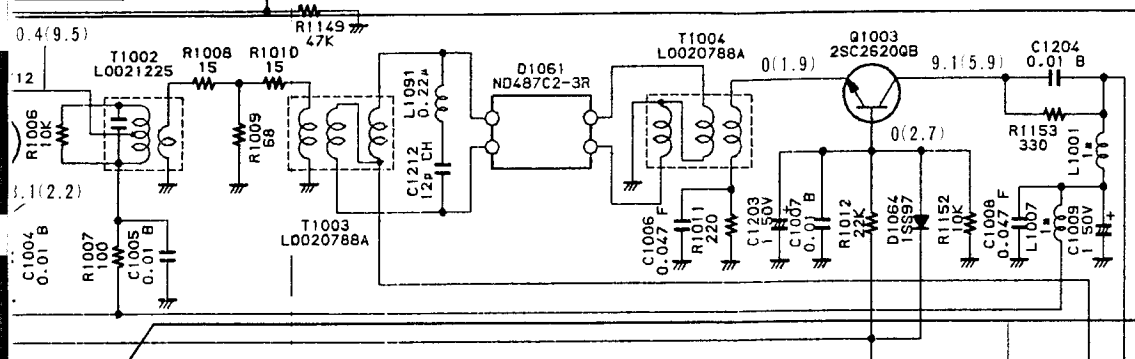
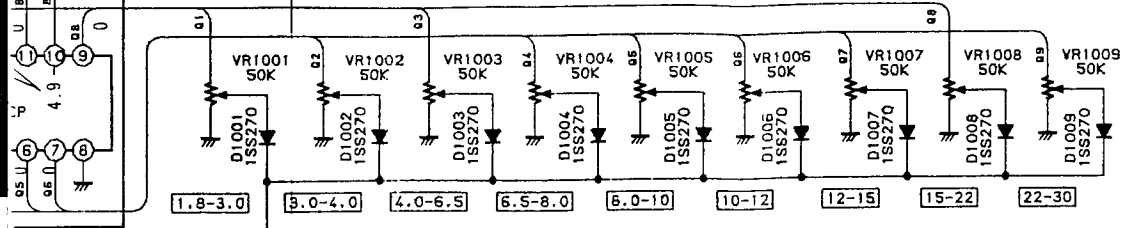


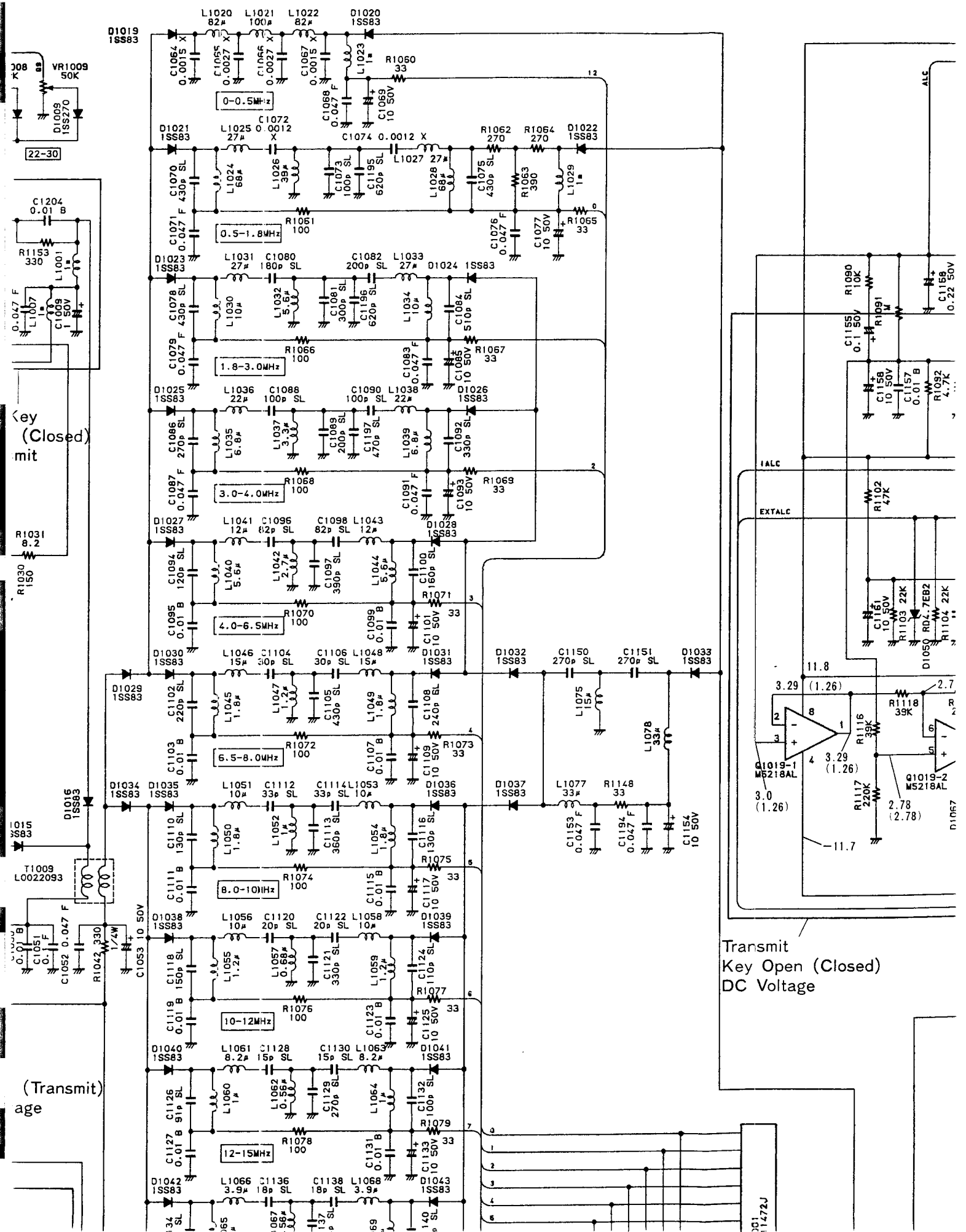
Receive DC Voltage

Receive (Transmit) DC Voltage

ABC Receive (Transmit) DC Voltage

Transmit DC Voltage



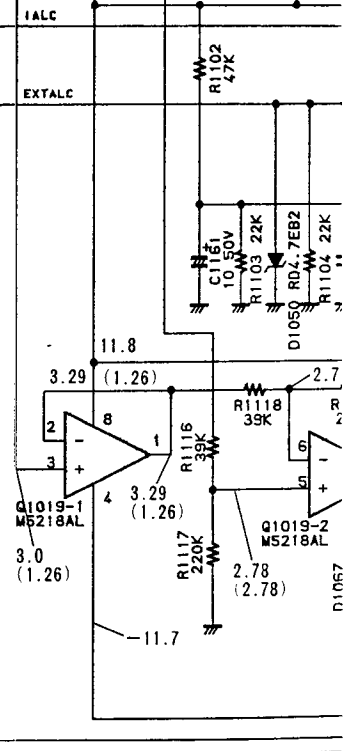


22-30

Key (Closed) mit

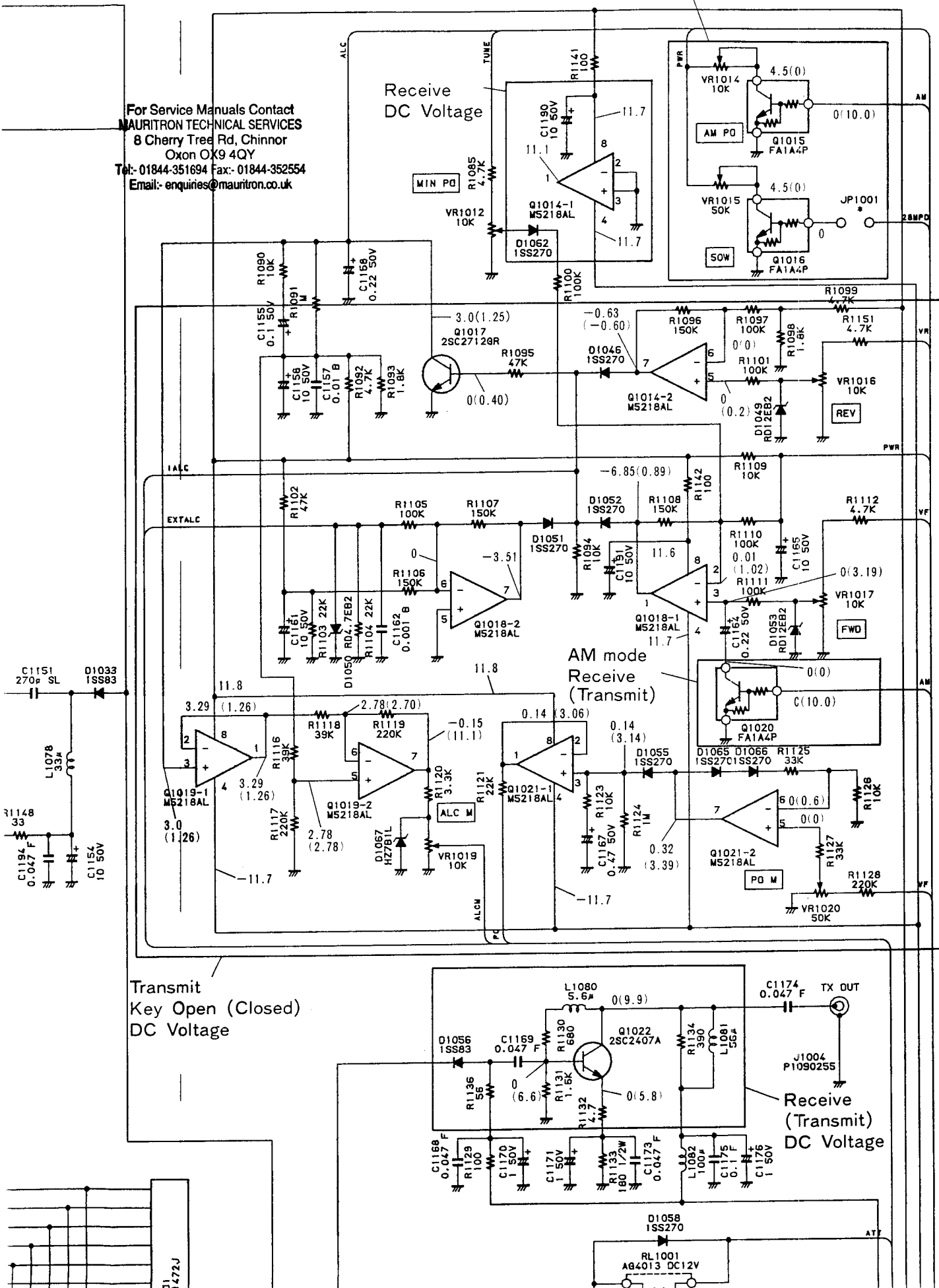
(Transmit) age

Transmit Key Open (Closed) DC Voltage

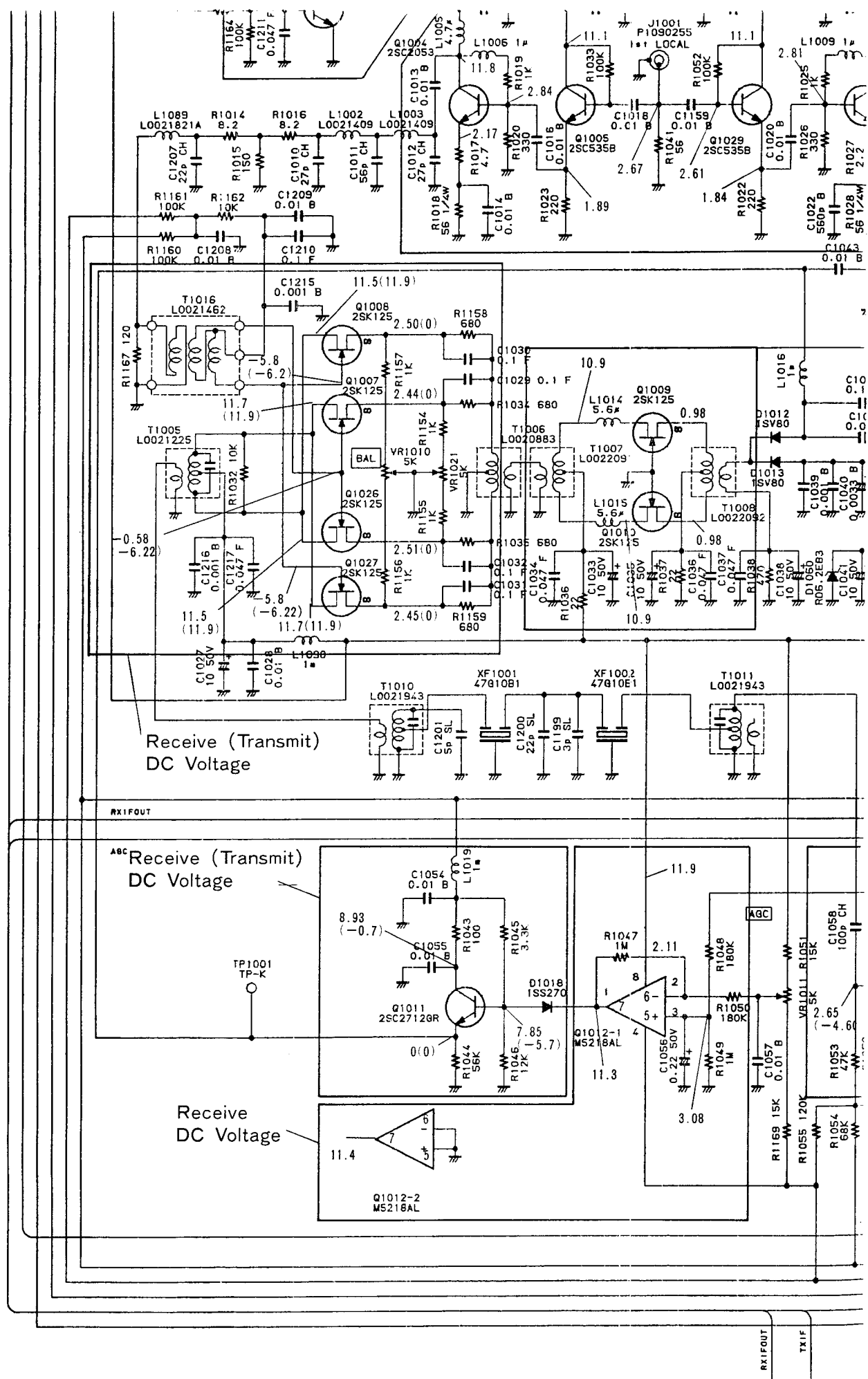


For Service Manuals Contact  
**MAURITRON TECHNICAL SERVICES**  
 8 Cherry Tree Rd, Chinnor  
 Oxon OX9 4QY  
 Tel:- 01844-351694 Fax:- 01844-352554  
 Email:- enquiries@mauritron.co.uk

Receive FM, SSB or CW (AM) DC Voltage







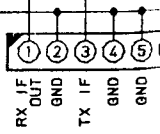
Receive (Transmit)  
DC Voltage

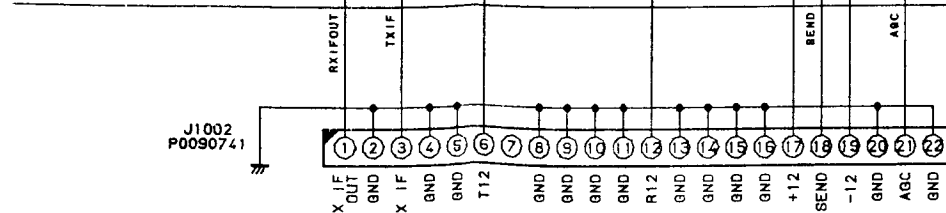
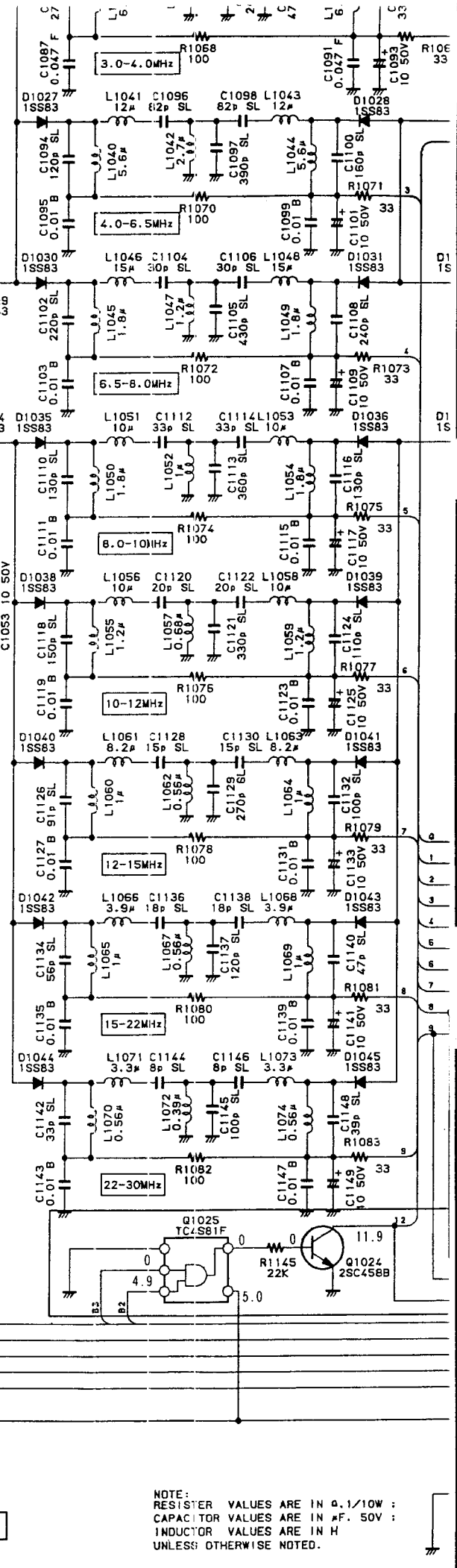
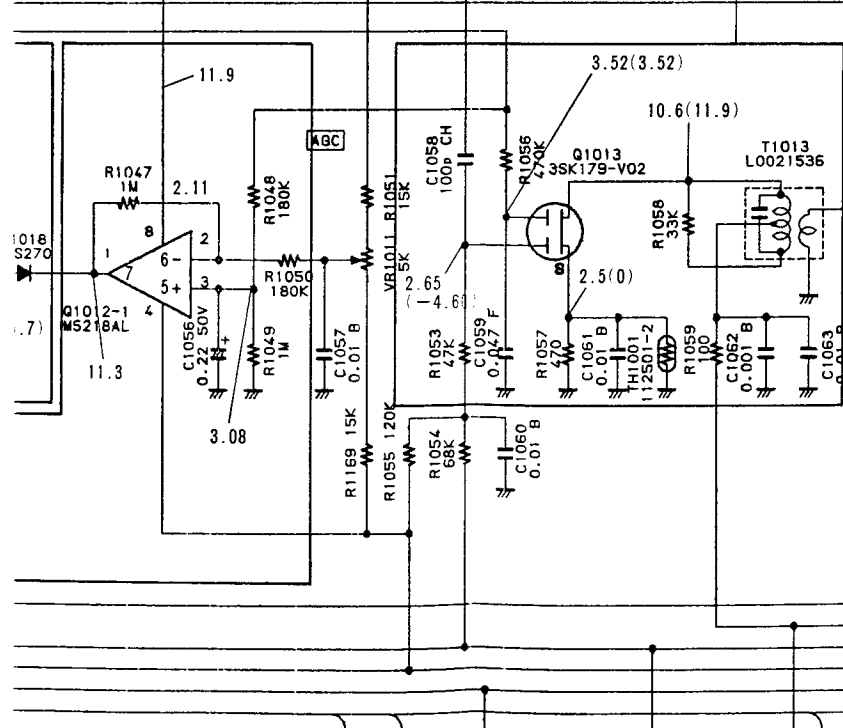
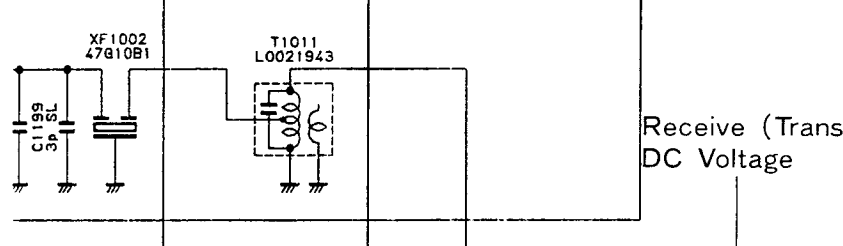
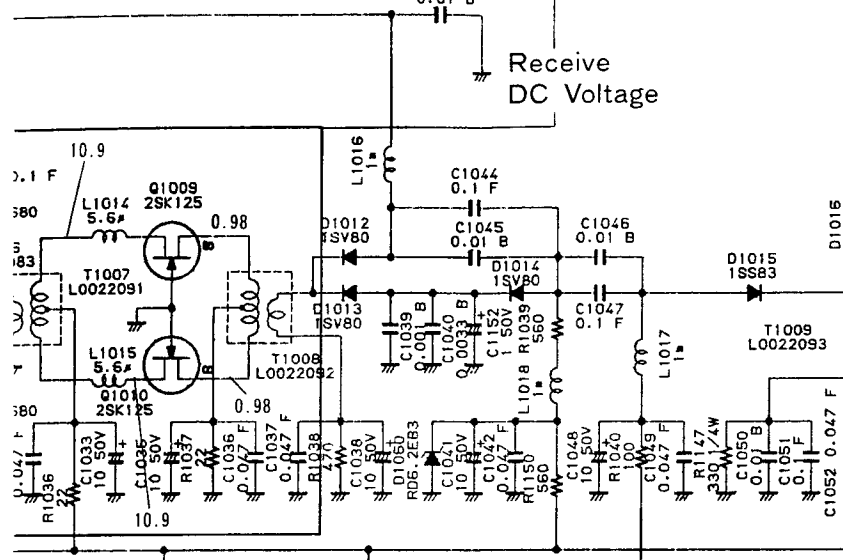
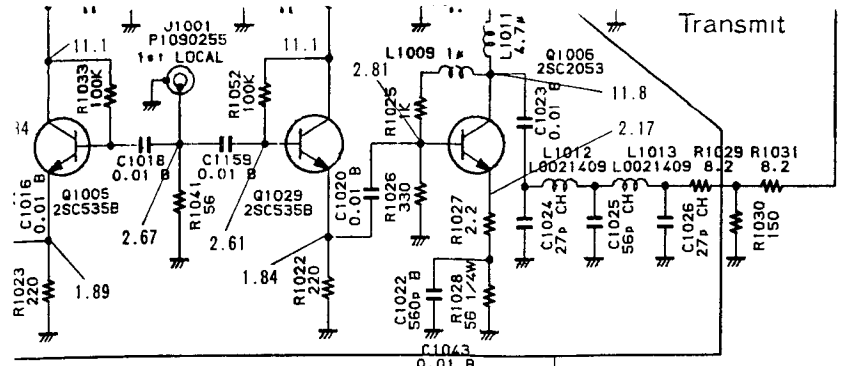
ABC Receive (Transmit)  
DC Voltage

Receive  
DC Voltage

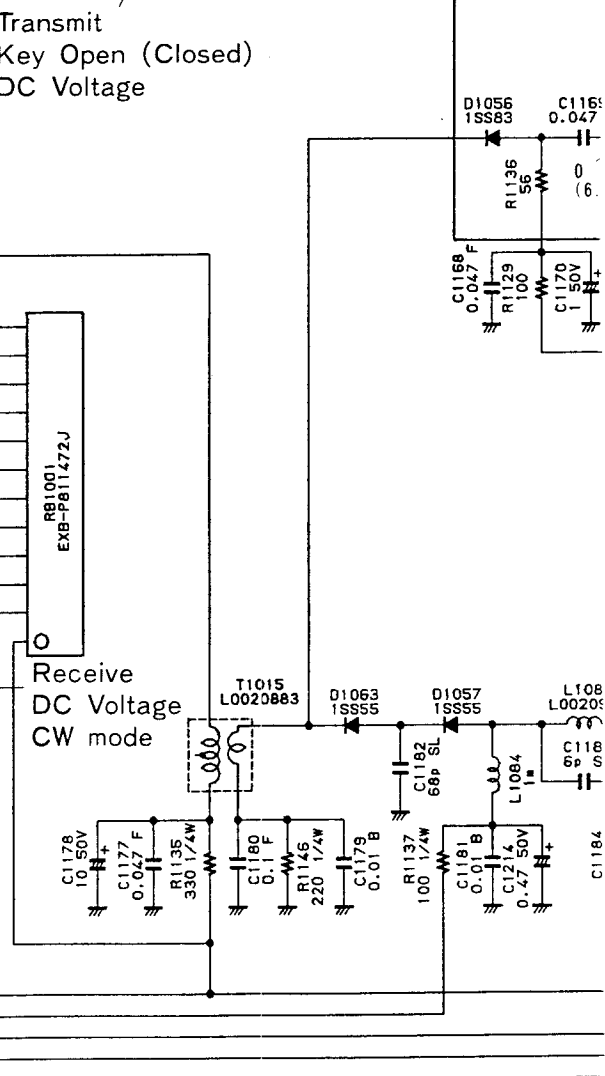
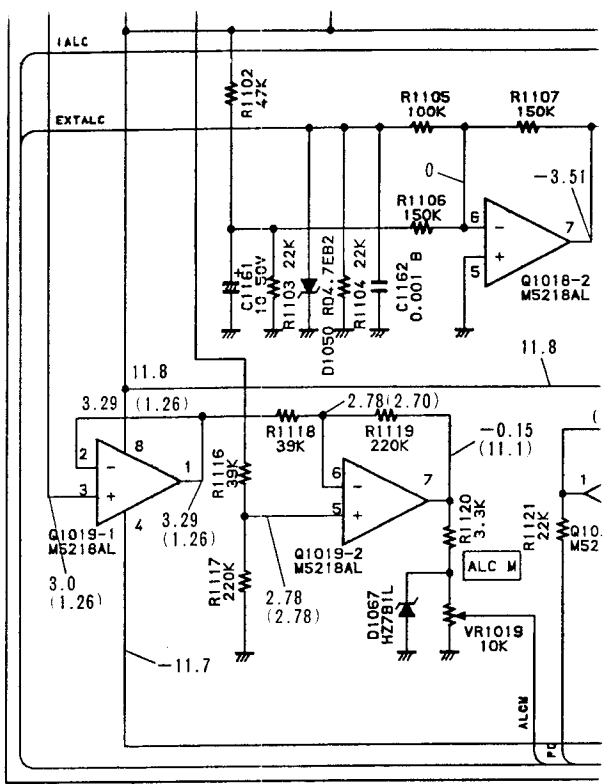
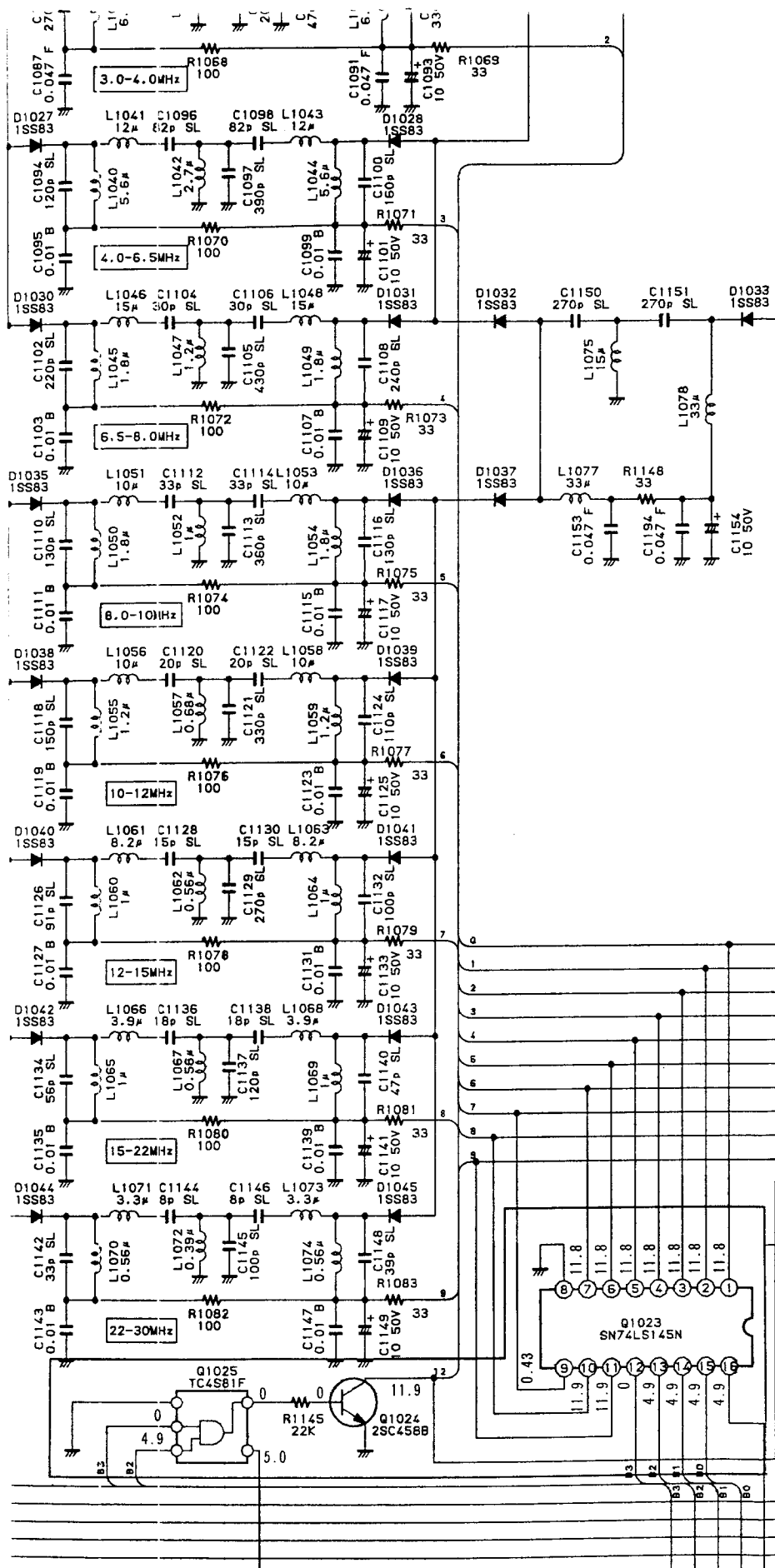
Measuring Conditions  
Frequency: 14.200MHz  
Mode: CW

J1002  
P009074

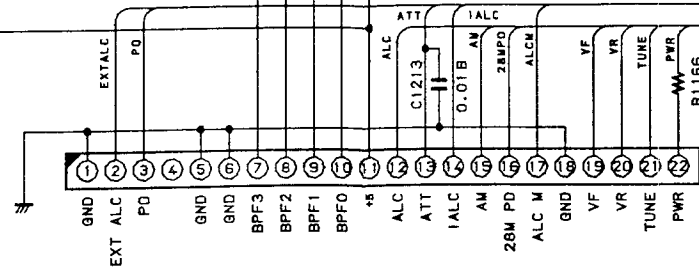




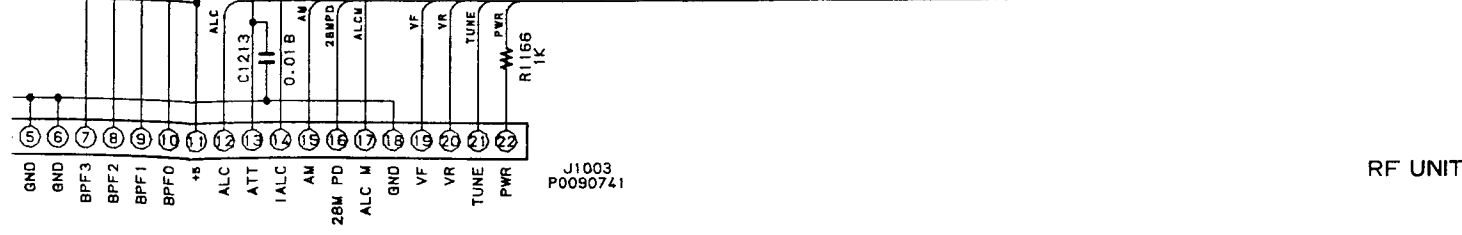
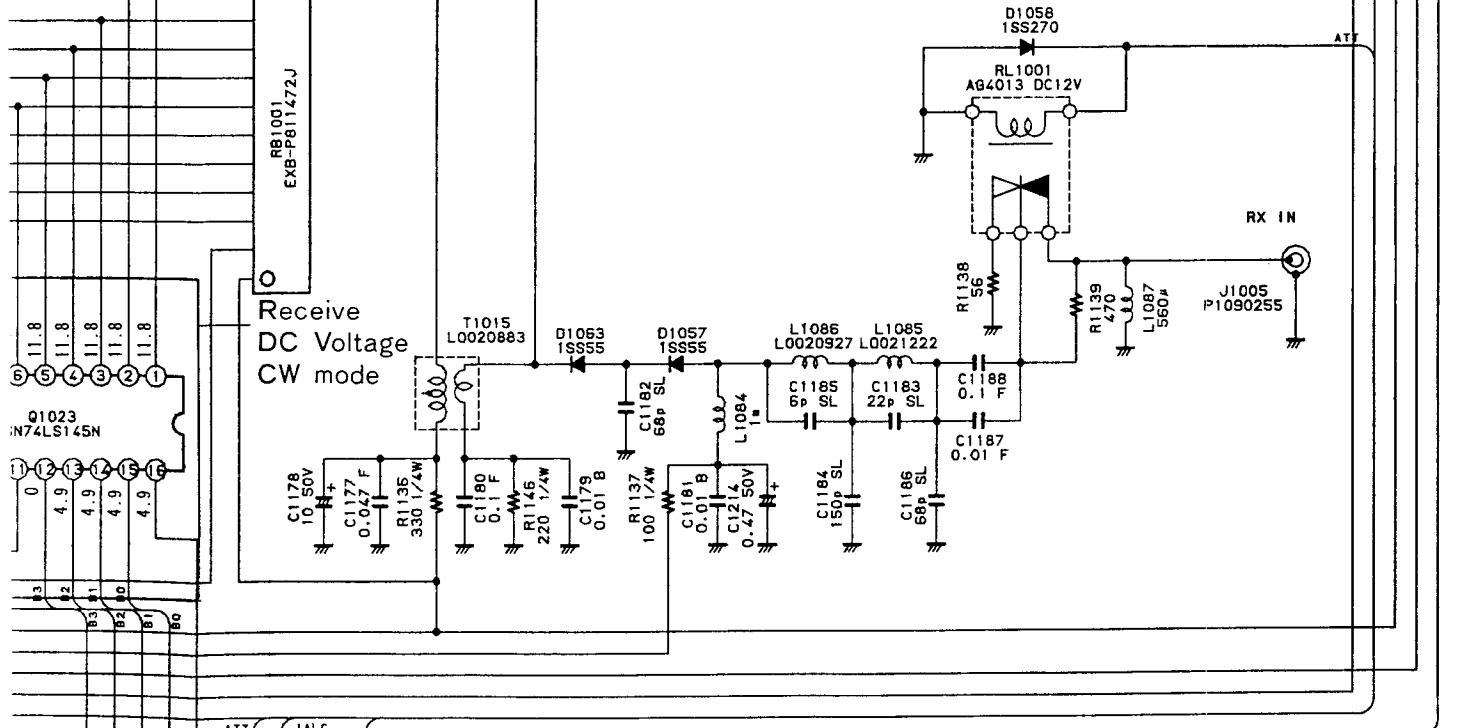
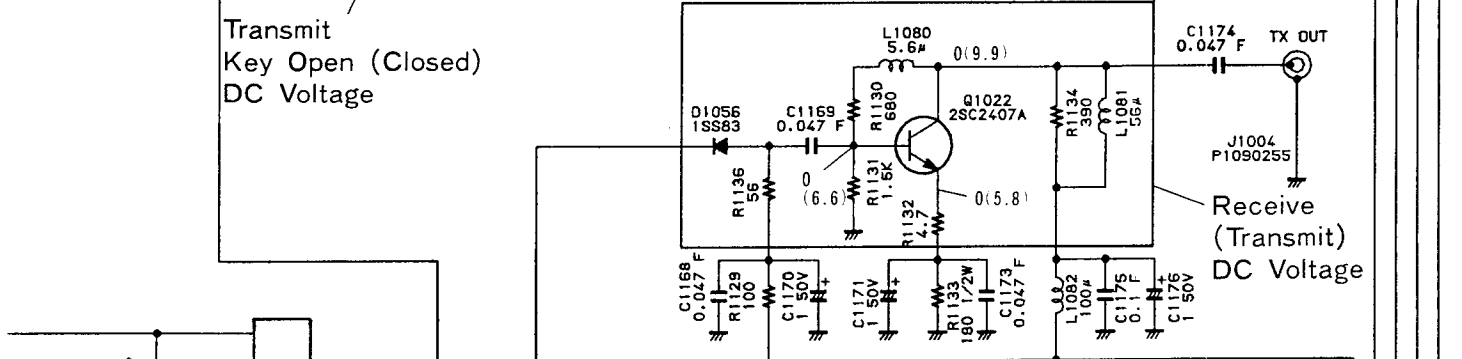
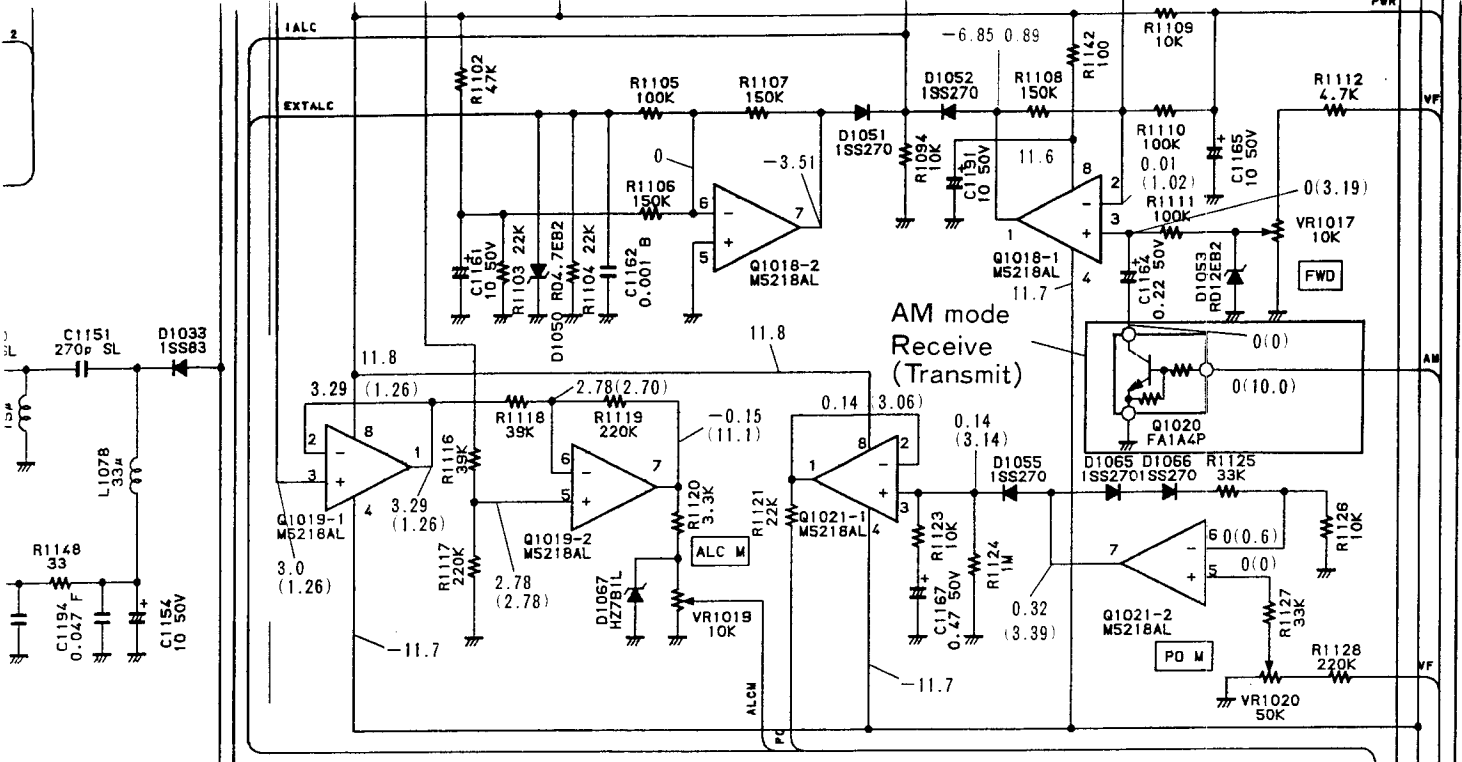
NOTE: RESISTOR VALUES ARE IN  $\Omega$ , 1/10W; CAPACITOR VALUES ARE IN  $\mu$ F. 50V; INDUCTOR VALUES ARE IN H UNLESS OTHERWISE NOTED.



NOTE: RESISTOR VALUES ARE IN Ω, 1/10W ; CAPACITOR VALUES ARE IN μF, 50V ; INDUCTOR VALUES ARE IN H UNLESS OTHERWISE NOTED.



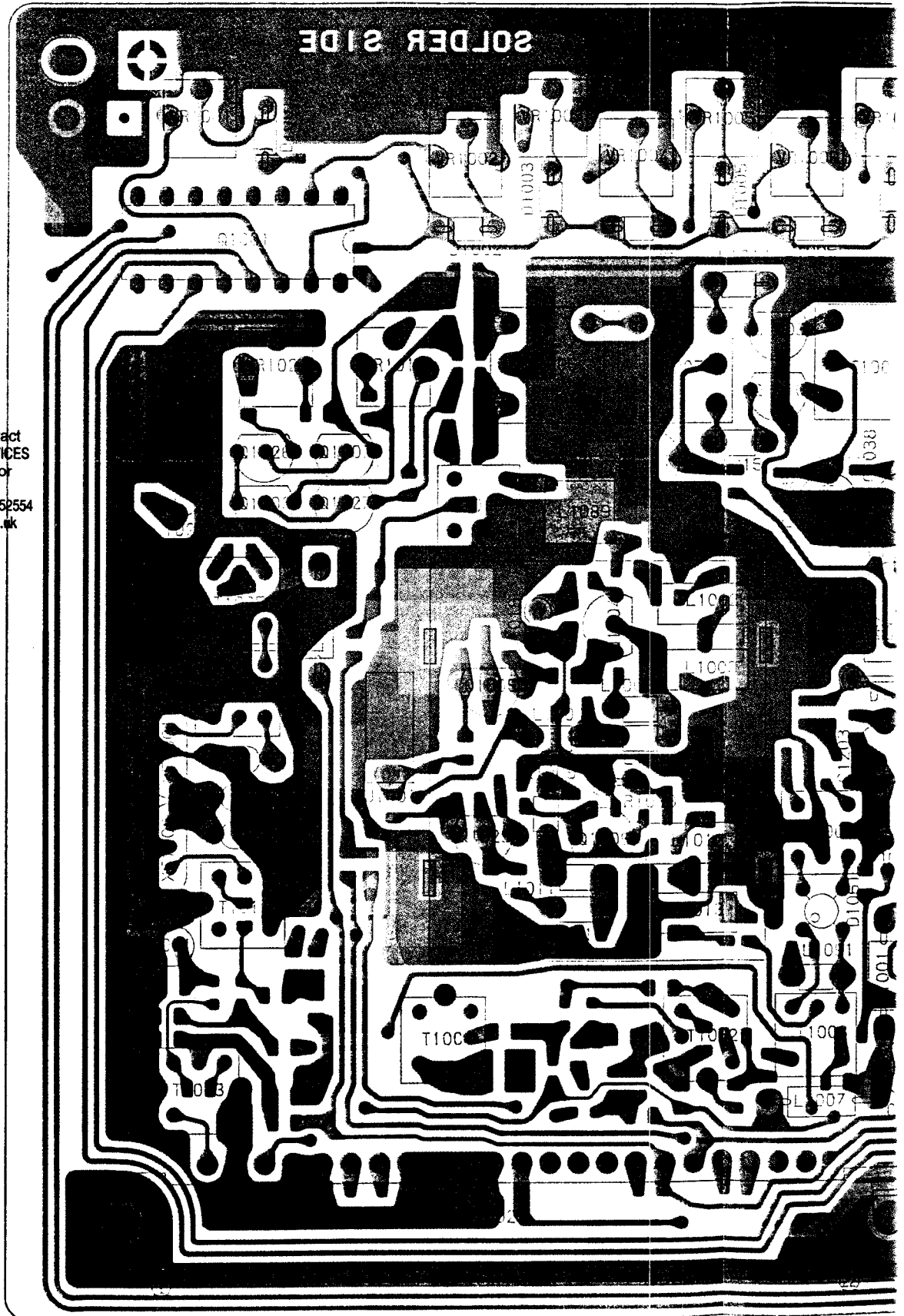
J1003 P0090741



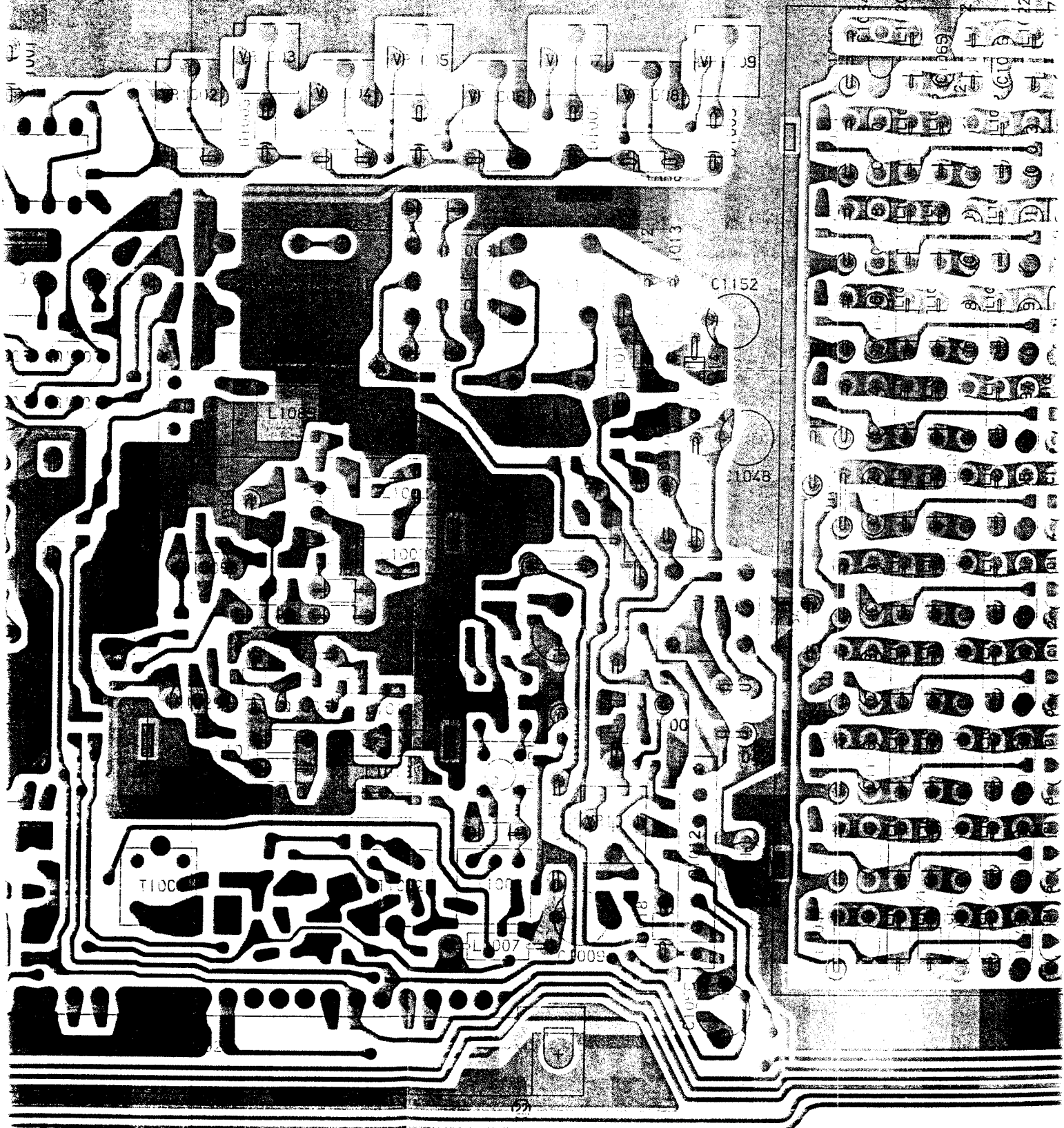
J1003 P0090741

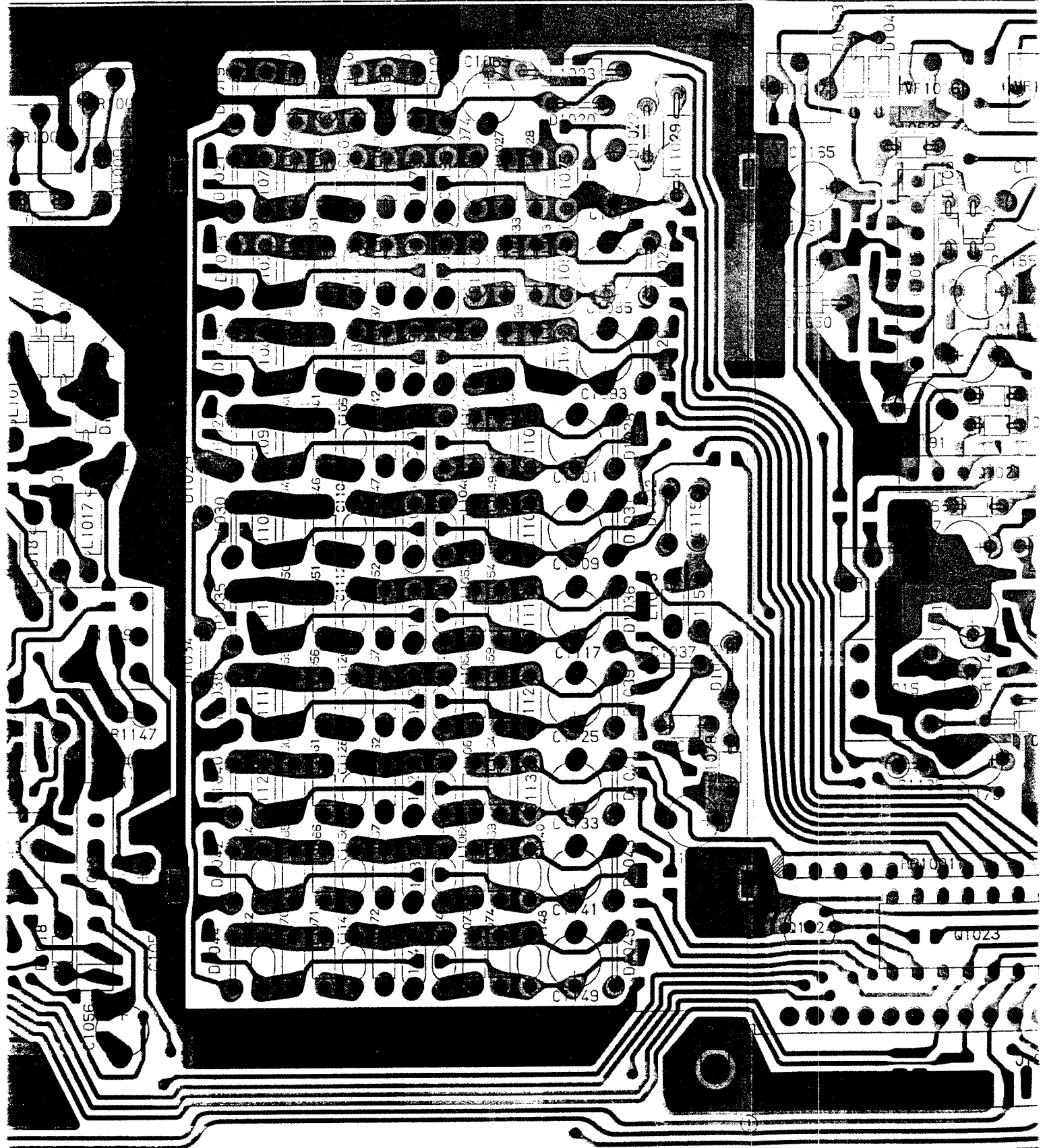
RF UNIT

For Service Manuals Contact  
MAURITRON TECHNICAL SERVICES  
8 Cherry Tree Rd, Chinnor  
Oxon OX9 4QY  
Tel: 01844-351694 Fax: 01844-352554  
Email: enquiries@maurtron.co.uk



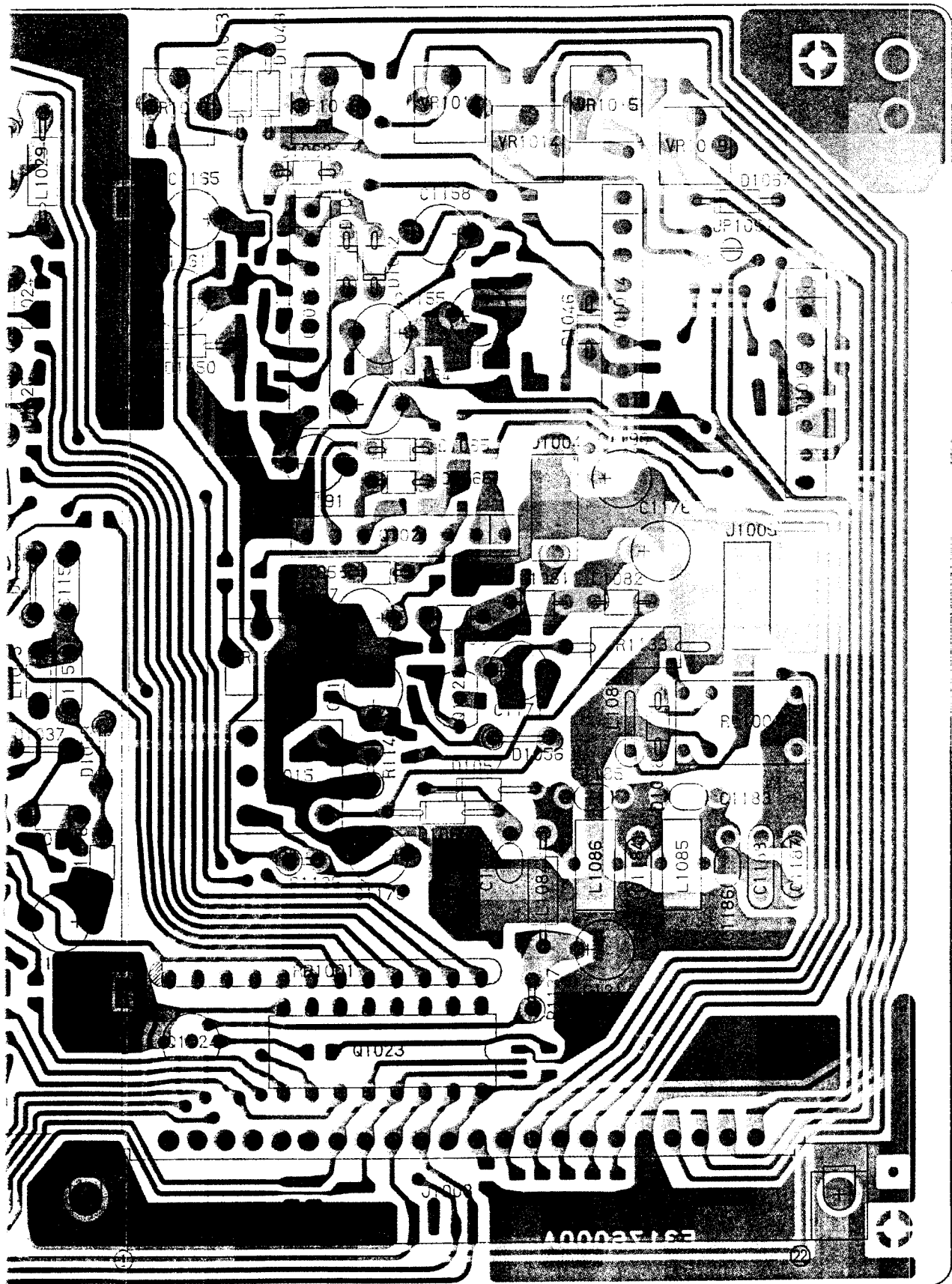
SOLDER SIDE





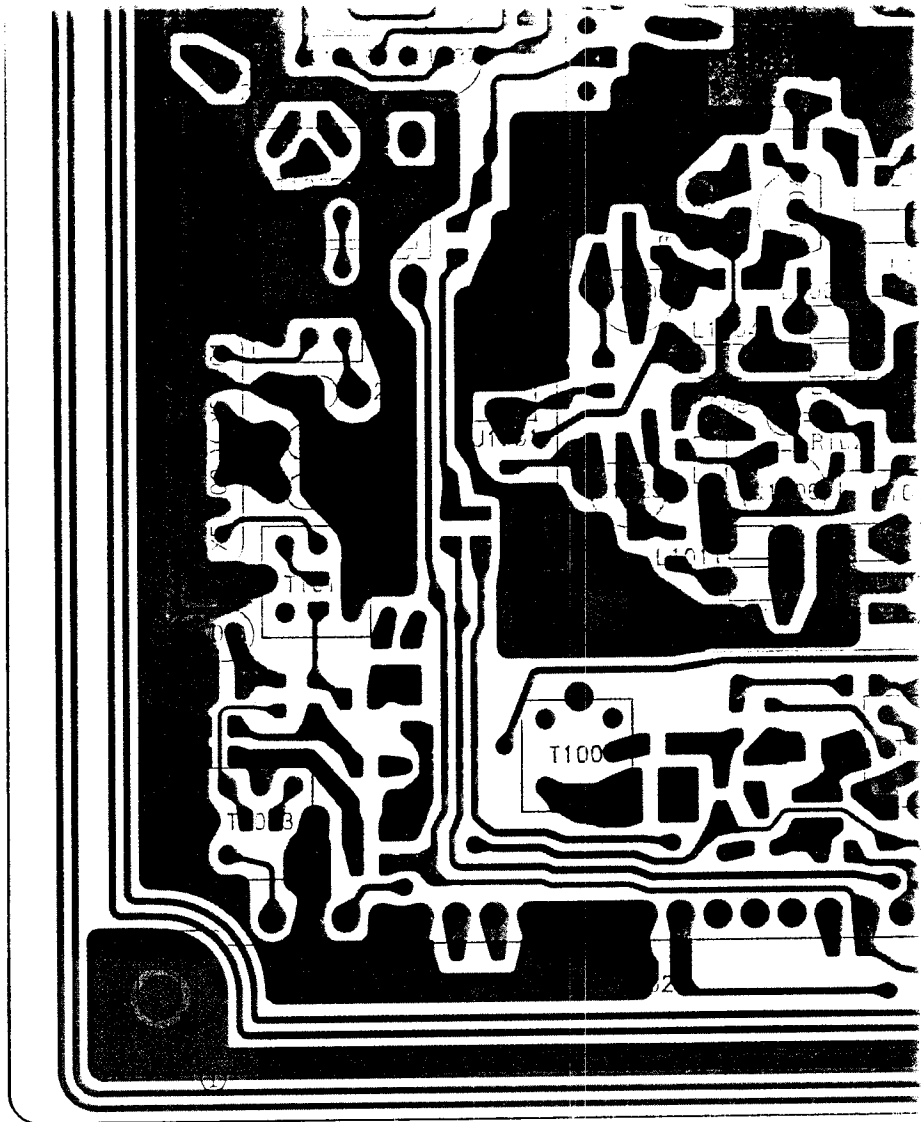
3



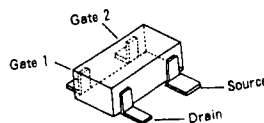


(“component” side)



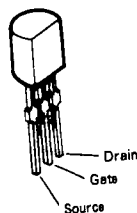


For Service Manuals Contact  
**MAURITRON TECHNICAL SERVICES**  
 8 Cherry Tree Rd, Chinnor  
 Oxon OX9 4QY  
 Tel:- 01844-351694 Fax:- 01844-352554  
 Email:- enquires@mauritron.co.uk

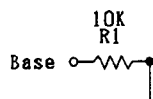


3SK131 (V12)  
 (Q1002)  
 3SK179 (V02)  
 (Q1013)

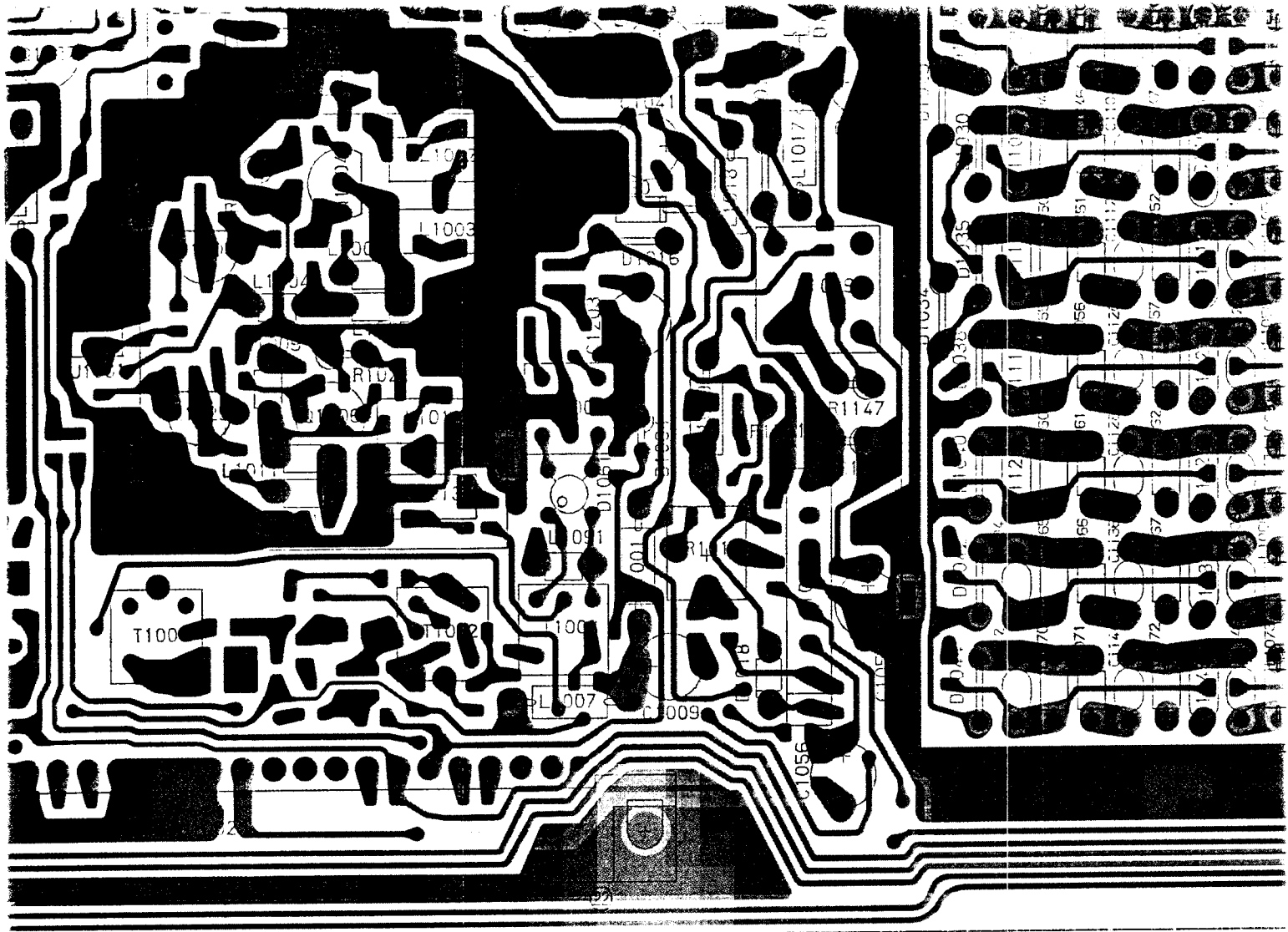
Collec  
 2SC2620  
 (Q1003)  
 2SC2712  
 (Q1011,  
 FA1A4P  
 (Q1015,



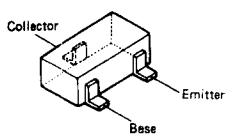
2SK125  
 (Q1007, 1008, 1009,  
 1010, 1026, 1027)



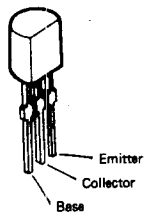
FA1A4P CI



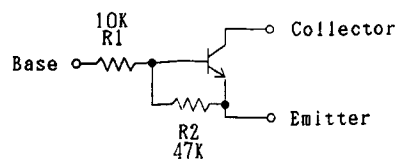
Source  
rain



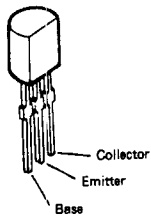
2SC2620(QB)  
(Q1003)  
2SC2712GR(LG)  
(Q1011, 1017, 1028)  
  
FA1A4P(L34)  
(Q1015, 1016, 1020)



2SC535  
(Q1005, 1029)  
2SC2053  
(Q1004, 1006)

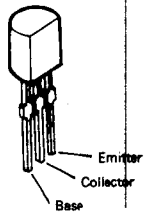
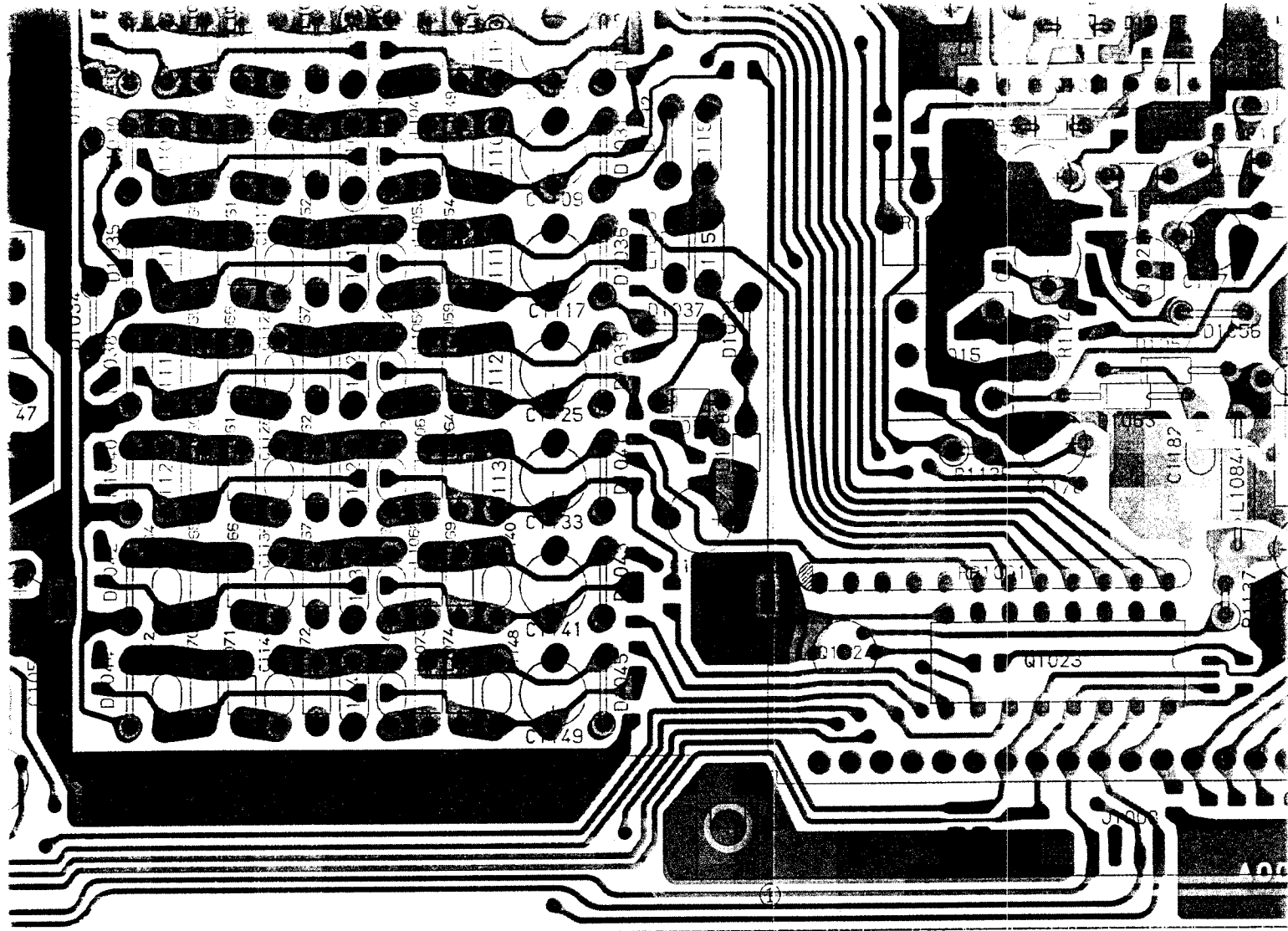


FA1A4P CIRCUIT DIAGRAM

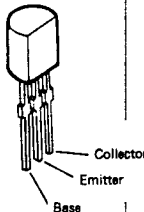


2SC458B  
(Q1024)  
2SC2407  
(Q1022)

09,  
7)

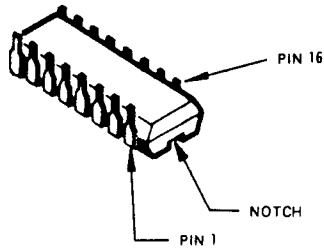


2SC535  
 (Q1005, 1029)  
 2SC2053  
 (Q1004, 1006)

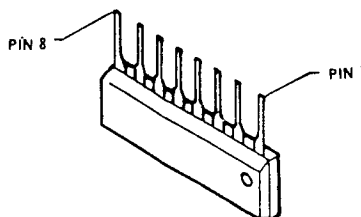


2SC458B  
 (Q1024)  
 2SC2407  
 (Q1022)

For Service Manuals Contact  
**MAURITRON TECHNICAL SERVICES**  
 8 Cherry Tree Rd, Chinnor  
 Oxon OX9 4QY  
 Tel:- 01844-351694 Fax:- 01844-352554  
 Email:- enquiries@mauritron.co.uk



MC14028BCP  
 (Q1001)  
 SN74LS145N  
 (Q1023)



M5218AL  
 (Q1012, 1014, 1018,  
 1019, 1021)

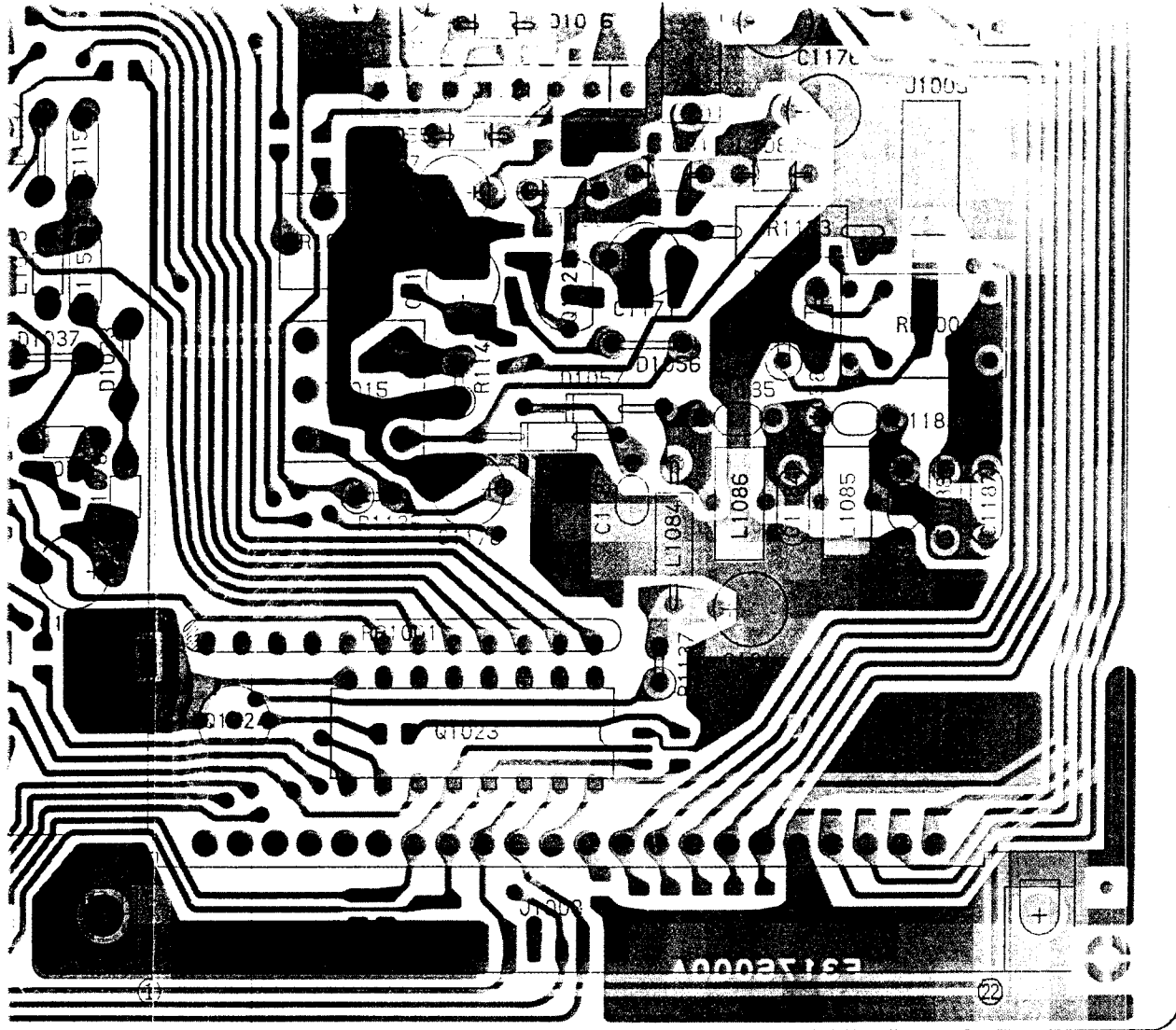
V<sub>cc</sub>

TC4S  
 (Q10

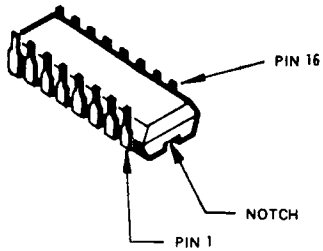
4C

1C

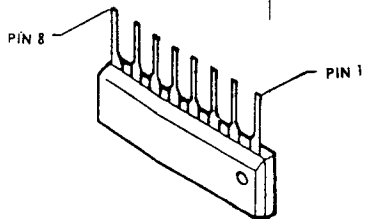
1



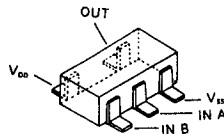
(“component” side)



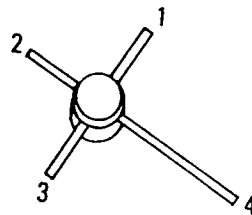
MC14028BCP  
(Q1001)  
SN74LS145N  
(Q1023)



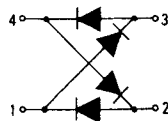
M5218AL  
(Q1012, 1014, 1018,  
1019, 1021)



TC4S81F (C2)  
(Q1025)



ND487C2-3R  
(D1061)

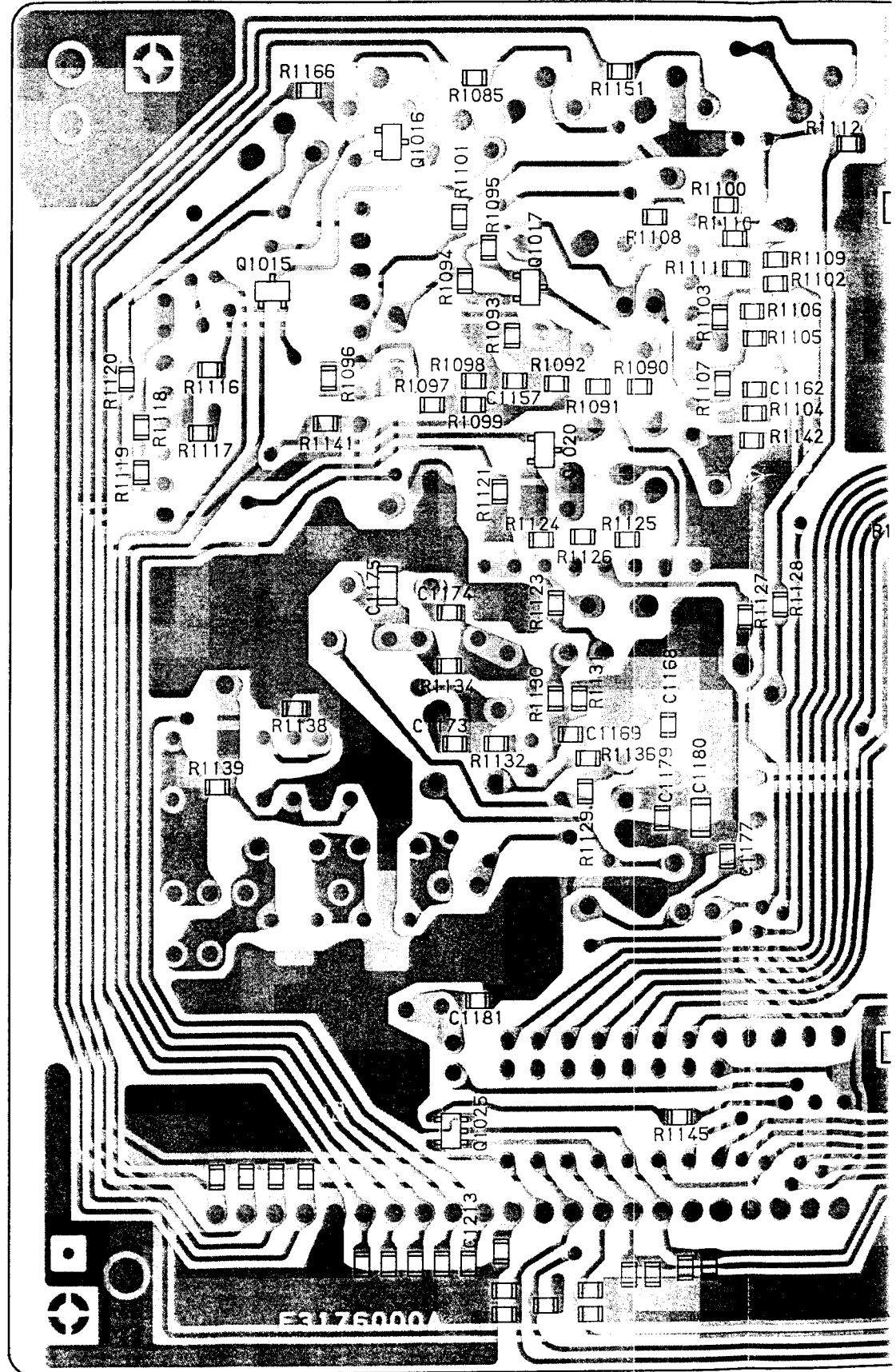


ND487C2-3R CIRCUIT DIAGRAM

RF UNIT

# RF Unit

For Service Manuals Contact  
MAURITRON TECHNICAL SERVICES  
8 Cherry Tree Rd, Chinnor  
Oxon OX9 4QY  
Tel:- 01844-351694 Fax:- 01844-352554  
Email:- enquiries@mauritron.co.uk

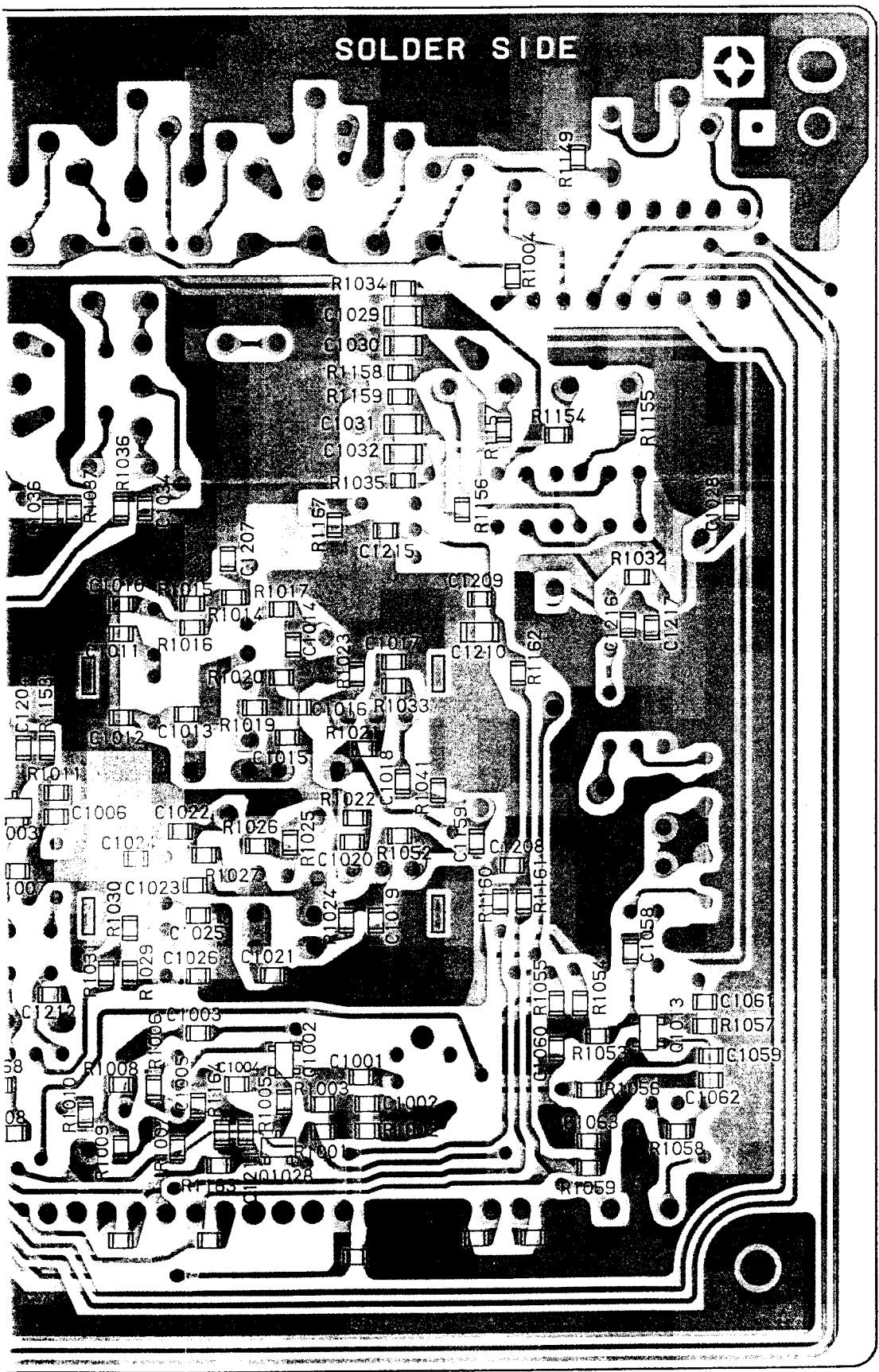






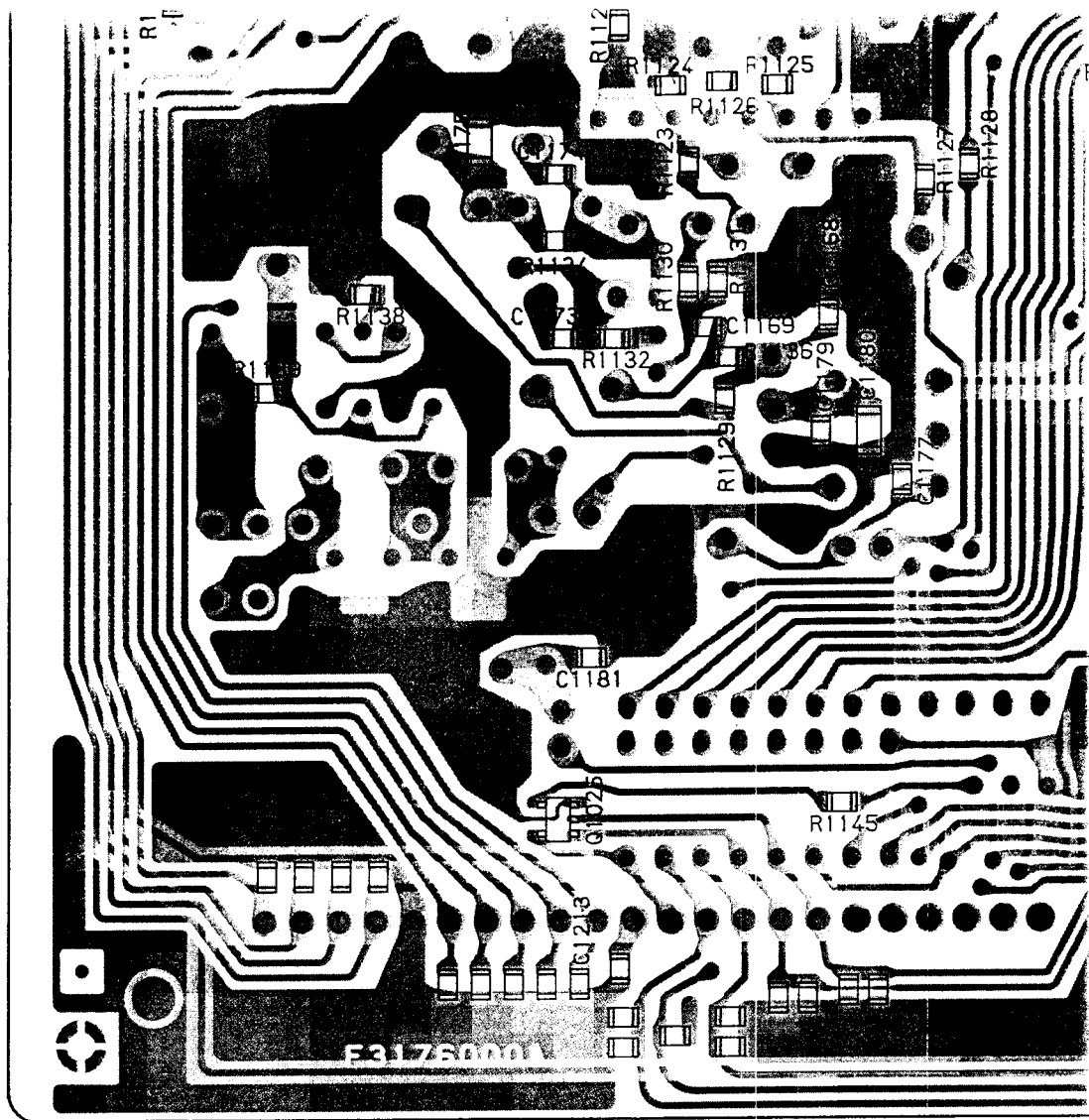


SOLDER SIDE

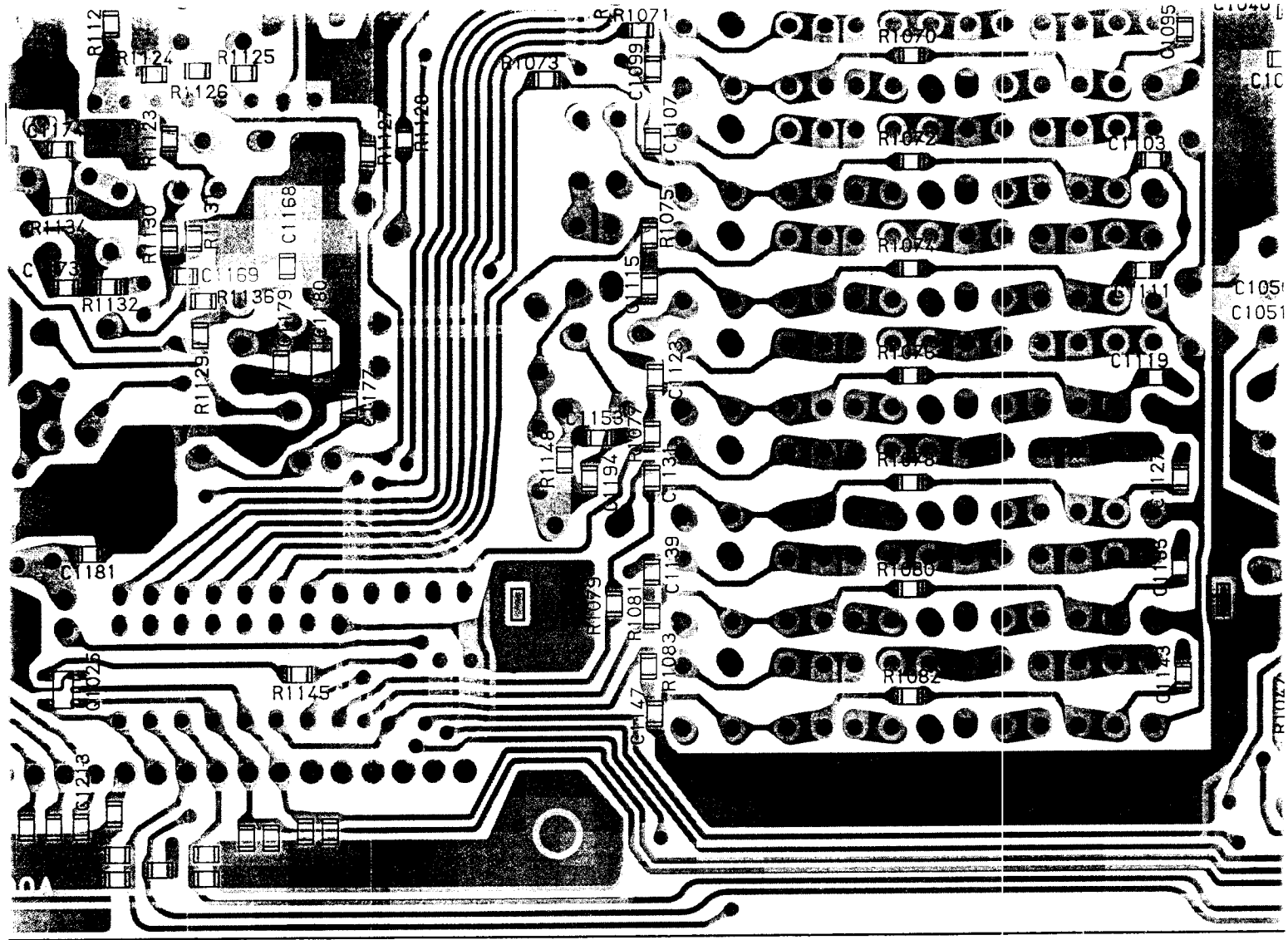


(“chip only” side)

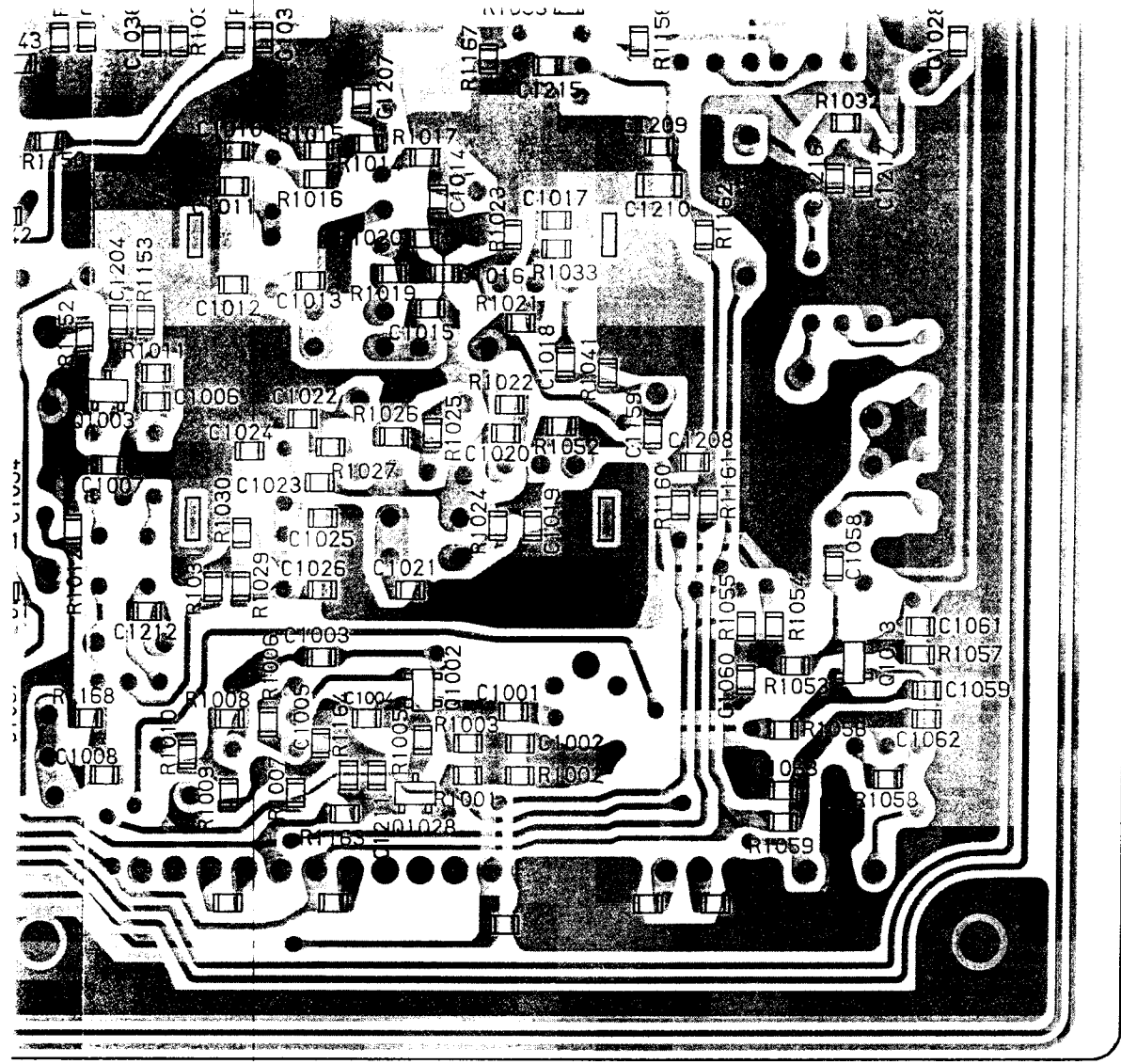




For Service Manuals Contact  
MAURITRON TECHNICAL SERVICES  
8 Cherry Tree Rd, Chinnor  
Oxon OX9 4QY  
Tel:- 01844-351694 Fax:- 01844-352554  
Email:- enquiries@mauritron.co.uk



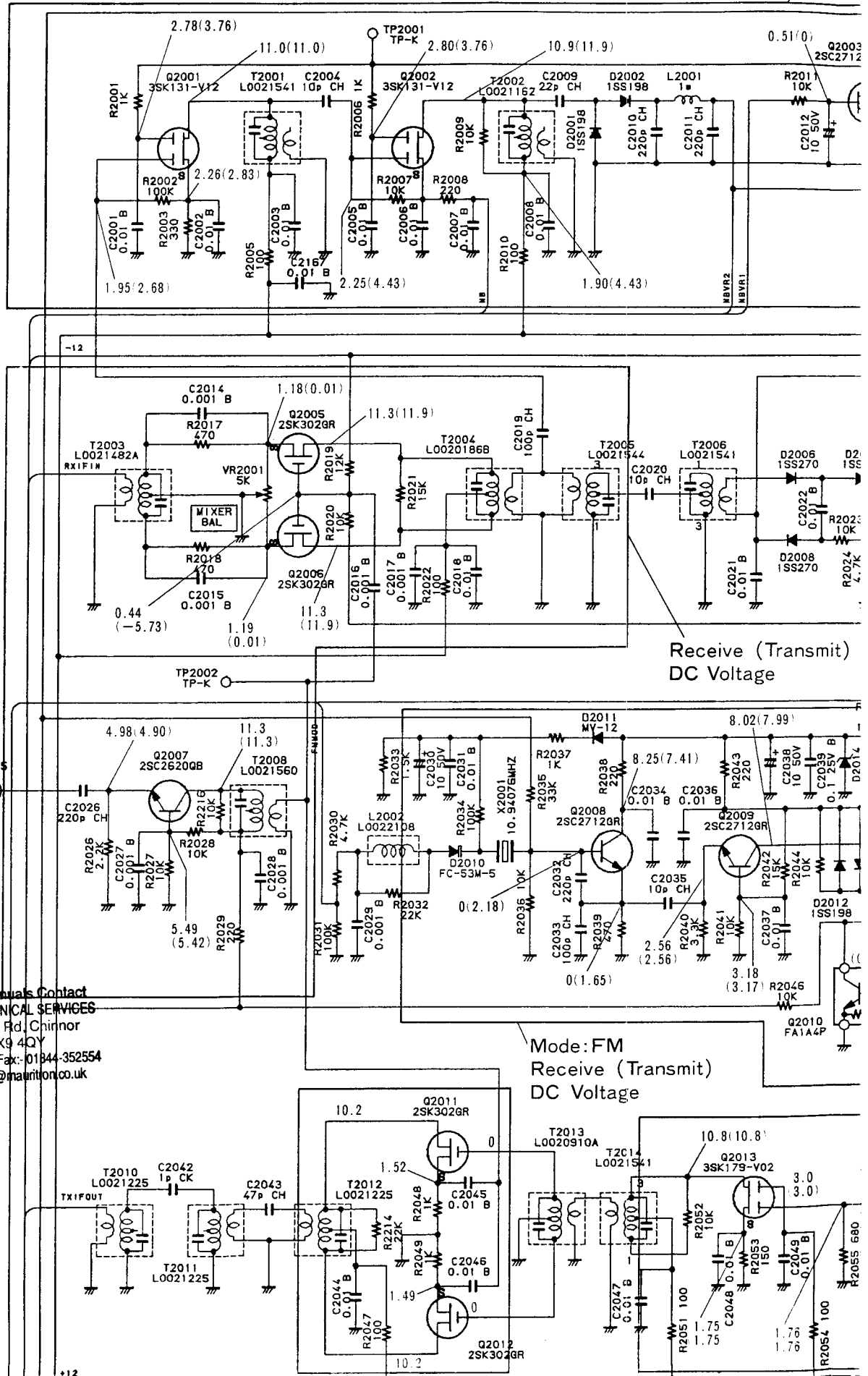




(“chip only” side)

F3177000A

NB E  
NB C



Receive (Transmit)  
DC Voltage

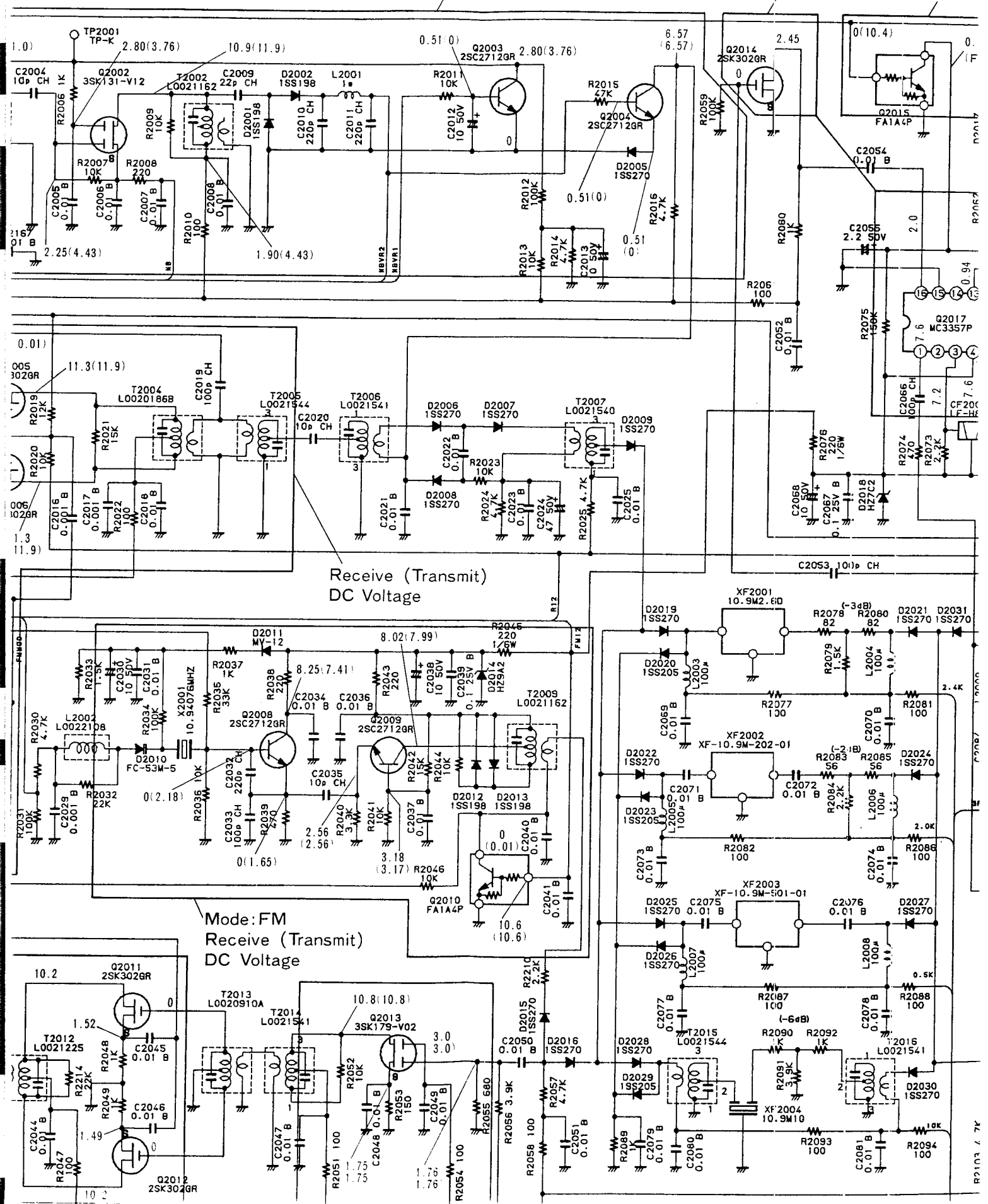
Mode: FM  
Receive (Transmit)  
DC Voltage

For Service Manuals Contact  
**MAURITRON TECHNICAL SERVICES**  
 8 Cherry Tree Rd, Chirnor  
 Oxon OX9 4QY  
 Tel: 01844-351694 Fax: 01844-352554  
 Email: enquiries@mauritron.co.uk

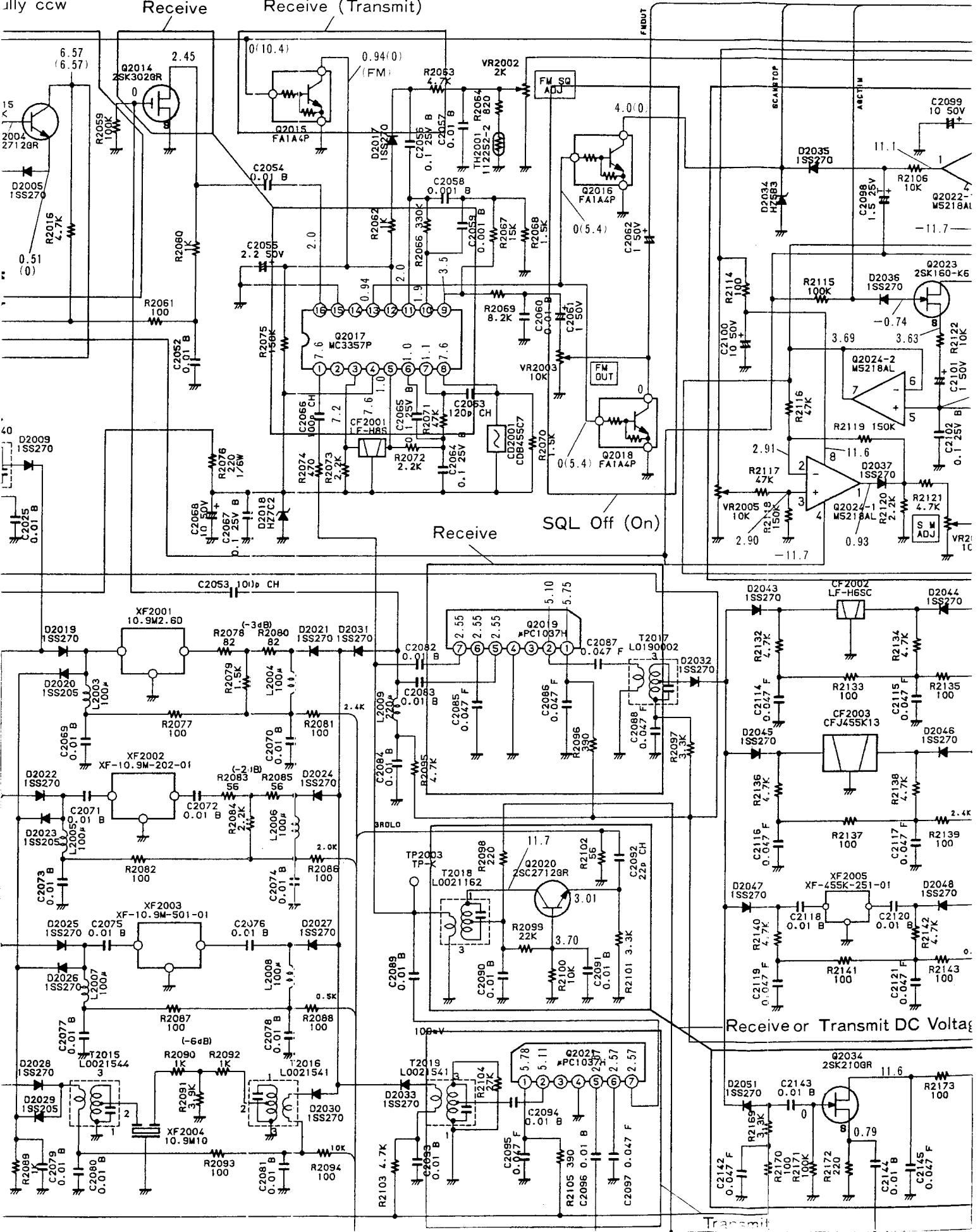
NB Button On (Off)  
NB CONTROL Fully ccw

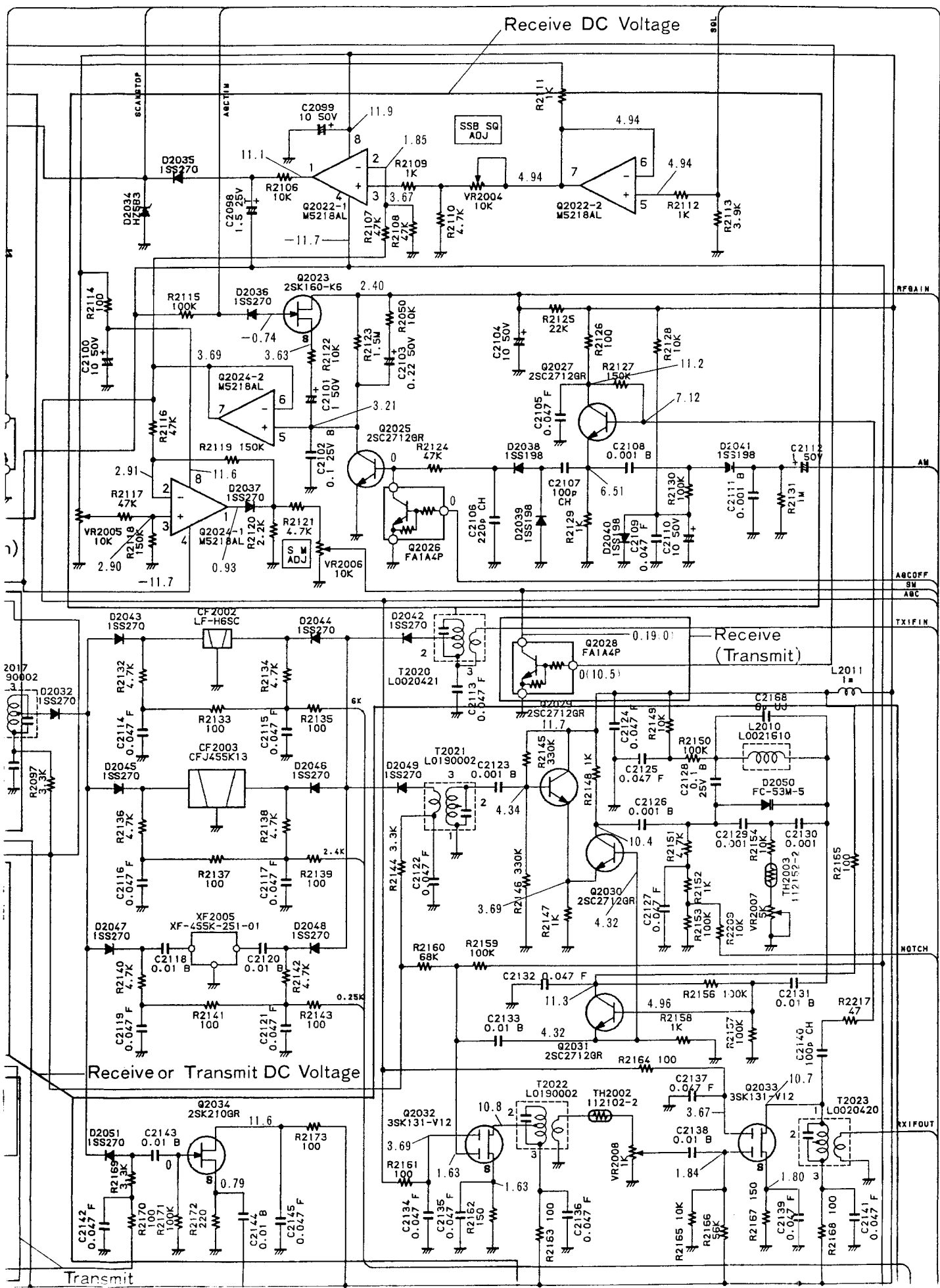
Receive

Receive (Tra

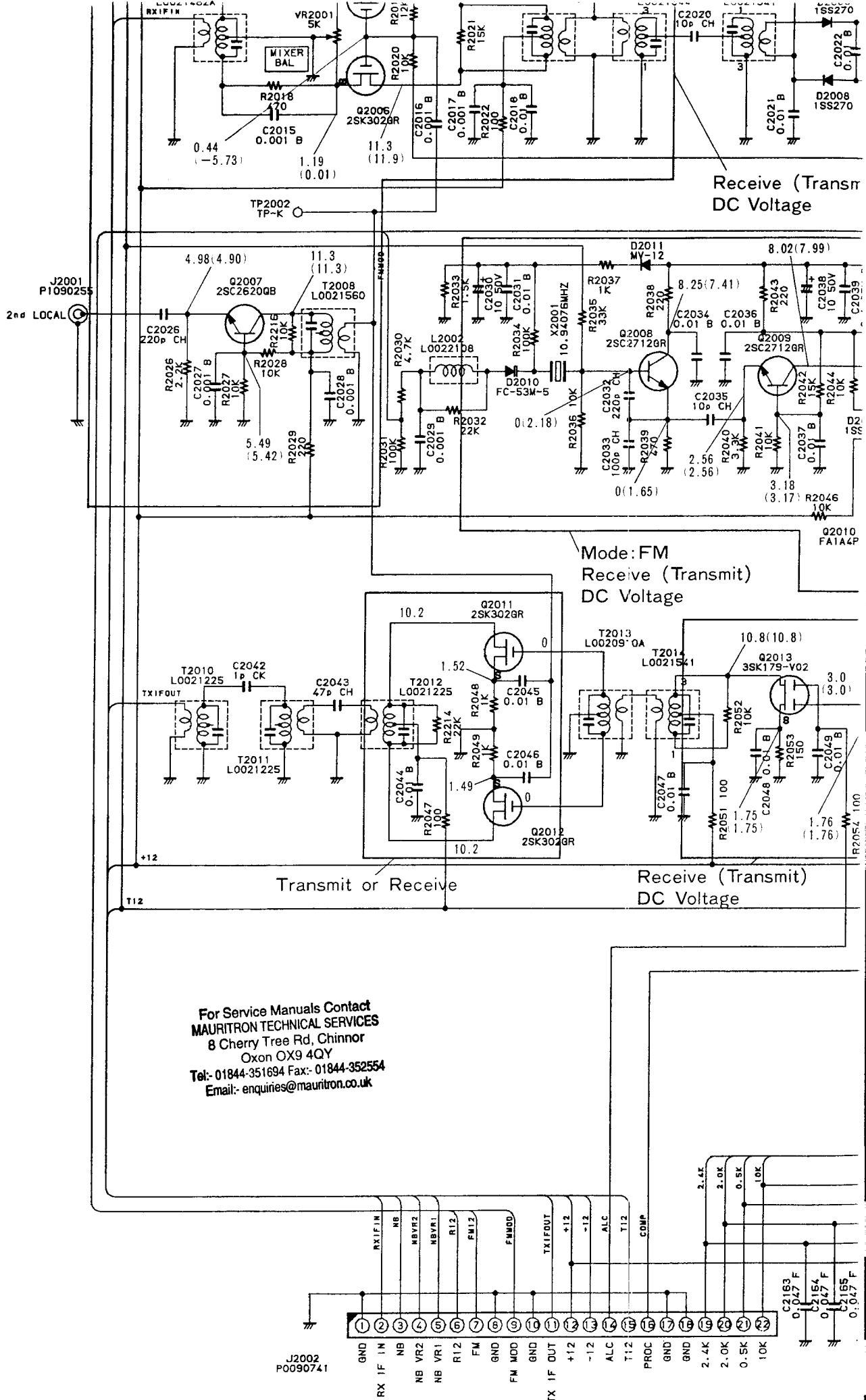


f) ally ccw Receive Receive (Transmit)





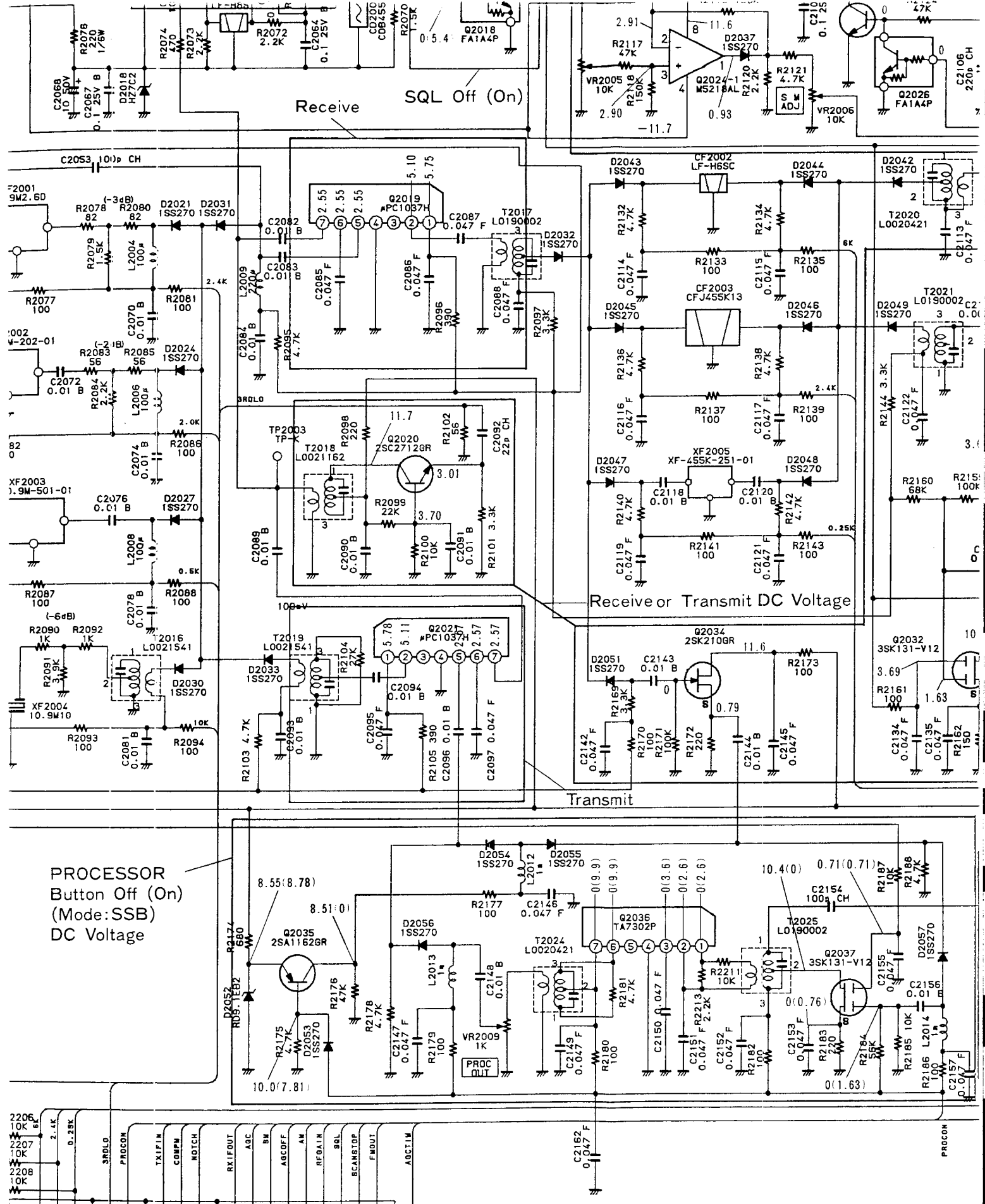




For Service Manuals Contact  
**MAURITRON TECHNICAL SERVICES**  
 8 Cherry Tree Rd, Chinnor  
 Oxon OX9 4QY  
 Tel: 01844-351694 Fax: 01844-352554  
 Email: enquiries@mauritron.co.uk

J2002  
 P0090741

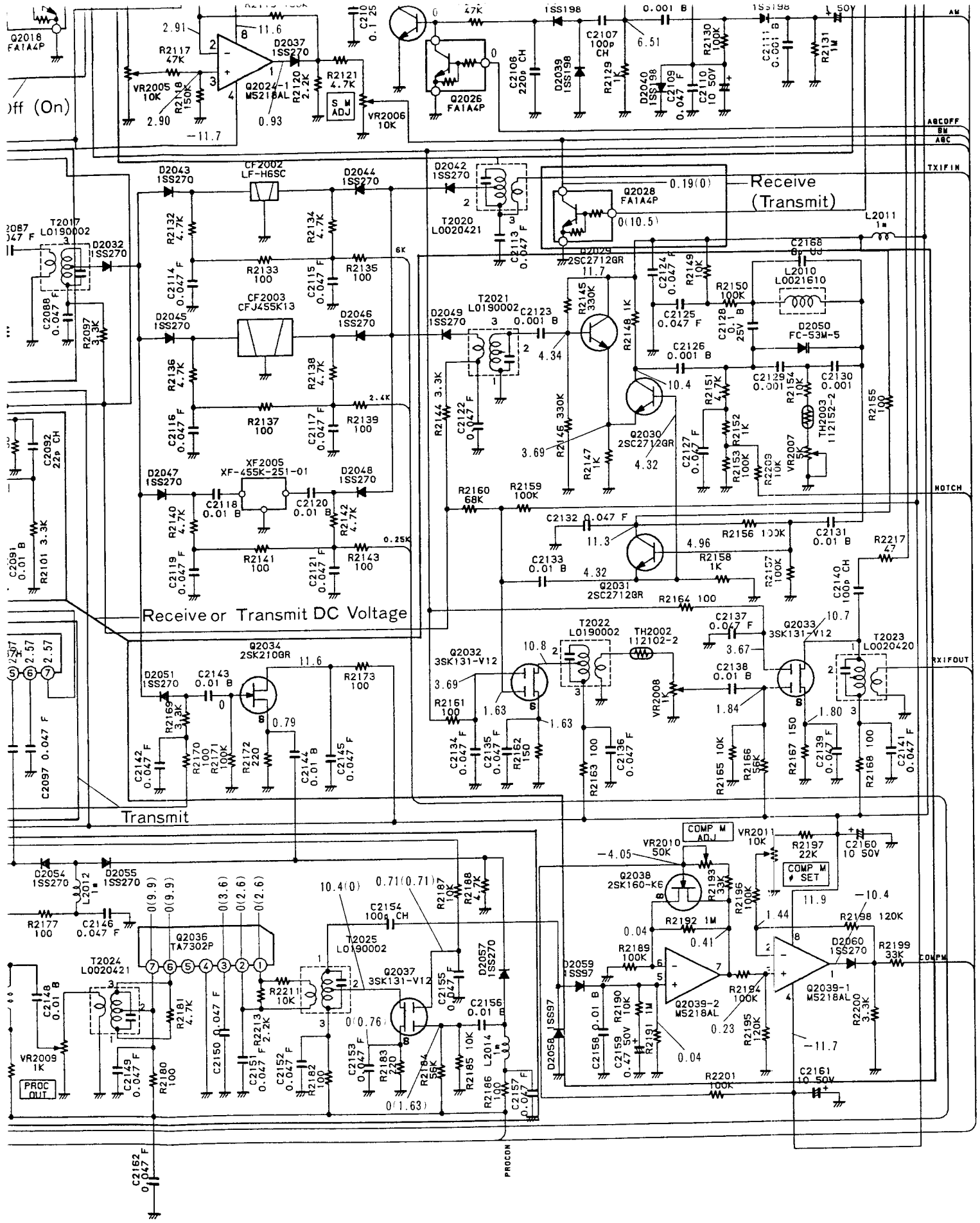




- 2206 10K  
 2207 10K  
 2208 10K  
 3R0LO  
 PROCON  
 TXIFIN  
 COMP M  
 NOTCH  
 GND  
 RX IF OUT  
 AGC  
 SM  
 ABCOFF  
 AM  
 RF GAIN  
 SQL  
 SCAN STOP  
 FM OUT  
 GND  
 AGC F/S

J2003  
P0090741

Measuring Conditions  
 Frequency: 14.3000MHz  
 Mode: CW  
 RF CONTROL: Fully cw  
 SQL CONTROL: Fully ccw



Measuring Conditions  
 Frequency: 14.3000MHz  
 Mode: CW  
 RF CONTROL: Fully cw  
 SQL CONTROL: Fully ccw

REF.	YAESU P/N	DESCRIPTION	MFGR'S DESIG	VALUE	WV	TOL.	VERS.
*** RF UNIT ***							
	CA0224005	P. C. B. W COMP.					DST EXP
	CA0224006	P. C. B. W COMP.					DST USA
	CA0224007	P. C. B. W COMP.					DST BEL
	CA0224008	P. C. B. W COMP.					DST FRA
	CA0224009	P. C. B. W COMP.					DST AUS
	F3176000A	P. C. B. W/O COMP.					
C 1001	K22170227	CHIP CAP.	GRM40CH470J50PT	47pF	50V	CH	
C 1002	K22170817	CHIP CAP.	GRM40B103M50PT	0.01uF	50V	B	
C 1003	K22170817	CHIP CAP.	GRM40B103M50PT	0.01uF	50V	B	
C 1004	K22170817	CHIP CAP.	GRM40B103M50PT	0.01uF	50V	B	
C 1005	K22170817	CHIP CAP.	GRM40B103M50PT	0.01uF	50V	B	
C 1006	K22171008	CHIP CAP.	GRM40F473Z50PT	0.047uF	50V	F	
C 1007	K22170817	CHIP CAP.	GRM40B103M50PT	0.01uF	50V	B	
C 1008	K22171008	CHIP CAP.	GRM40F473Z50PT	0.047uF	50V	F	
C 1009	K46170017	AL. ELECTRO. CAP.	50V010M5X11TR5	1uF	50V		
C 1010	K22170221	CHIP CAP.	GRM40CH270J50PT	27pF	50V	CH	
C 1011	K22170229	CHIP CAP.	GRM40CH560J50PT	56pF	50V	CH	
C 1012	K22170221	CHIP CAP.	GRM40CH270J50PT	27pF	50V	CH	
C 1013	K22170817	CHIP CAP.	GRM40B103M50PT	0.01uF	50V	B	
C 1014	K22170817	CHIP CAP.	GRM40B103M50PT	0.01uF	50V	B	
C 1015	K22170817	CHIP CAP.	GRM40B103M50PT	0.01uF	50V	B	
C 1016	K22170817	CHIP CAP.	GRM40B103M50PT	0.01uF	50V	B	
C 1017	K22170817	CHIP CAP.	GRM40B103M50PT	0.01uF	50V	B	
C 1018	K22170817	CHIP CAP.	GRM40B103M50PT	0.01uF	50V	B	
C 1019	K22170817	CHIP CAP.	GRM40B103M50PT	0.01uF	50V	B	
C 1020	K22170817	CHIP CAP.	GRM40B103M50PT	0.01uF	50V	B	
C 1021	K22170817	CHIP CAP.	GRM40B103M50PT	0.01uF	50V	B	
C 1022	K22170802	CHIP CAP.	GRM40B561M50PT	560pF	50V	B	
C 1023	K22170817	CHIP CAP.	GRM40B103M50PT	0.01uF	50V	B	
C 1024	K22170221	CHIP CAP.	GRM40CH270J50PT	27pF	50V	CH	
C 1025	K22170229	CHIP CAP.	GRM40CH560J50PT	56pF	50V	CH	
C 1026	K22170221	CHIP CAP.	GRM40CH270J50PT	27pF	50V	CH	
C 1027	K46170021	AL. ELECTRO. CAP.	50V100M5X11TR5	10uF	50V		
C 1028	K22170817	CHIP CAP.	GRM40B103M50PT	0.01uF	50V	B	
C 1029	K22172009	CHIP CAP.	GRM42-6F104Z50PT	0.1uF	50V	F	
C 1030	K22172009	CHIP CAP.	GRM42-6F104Z50PT	0.1uF	50V	F	
C 1031	K22172009	CHIP CAP.	GRM42-6F104Z50PT	0.1uF	50V	F	
C 1032	K22172009	CHIP CAP.	GRM42-6F104Z50PT	0.1uF	50V	F	
C 1033	K46170021	AL. ELECTRO. CAP.	50V100M5X11TR5	10uF	50V		
C 1034	K22171008	CHIP CAP.	GRM40F473Z50PT	0.047uF	50V	F	
C 1035	K46170021	AL. ELECTRO. CAP.	50V100M5X11TR5	10uF	50V		
C 1036	K22171008	CHIP CAP.	GRM40F473Z50PT	0.047uF	50V	F	
C 1037	K22171008	CHIP CAP.	GRM40F473Z50PT	0.047uF	50V	F	
C 1038	K46170021	AL. ELECTRO. CAP.	50V100M5X11TR5	10uF	50V		
C 1039	K22170805	CHIP CAP.	GRM40B102M50PT	0.001uF	50V	B	
C 1040	K22170811	CHIP CAP.	GRM40B332M50PT	0.0033uF	50V	B	
C 1041	K46170021	AL. ELECTRO. CAP.	50V100M5X11TR5	10uF	50V		
C 1042	K22171008	CHIP CAP.	GRM40F473Z50PT	0.047uF	50V	F	
C 1043	K22170817	CHIP CAP.	GRM40B103M50PT	0.01uF	50V	B	
C 1044	K22172009	CHIP CAP.	GRM42-6F104Z50PT	0.1uF	50V	F	
C 1045	K22170817	CHIP CAP.	GRM40B103M50PT	0.01uF	50V	B	

# RF Unit

REF.	YAESU P/N	DESCRIPTION	MFGR'S DESIG	VALUE	WV	TOL.	VERS.
C 1046	K22170817	CHIP CAP.	GRM40B103M50PT	0.01uF	50V	B	
C 1047	K22172009	CHIP CAP.	GRM42-6F104Z50PT	0.1uF	50V	F	
C 1048	K46170021	AL. ELECTRO. CAP.	50V100M5X11TR5	10uF	50V		
C 1049	K22171008	CHIP CAP.	GRM40F473Z50PT	0.047uF	50V	F	
C 1050	K22170817	CHIP CAP.	GRM40B103M50PT	0.01uF	50V	B	
C 1051	K22172009	CHIP CAP.	GRM42-6F104Z50PT	0.1uF	50V	F	
C 1052	K22171008	CHIP CAP.	GRM40F473Z50PT	0.047uF	50V	F	
C 1053	K46170021	AL. ELECTRO. CAP.	50V100M5X11TR5	10uF	50V		
C 1054	K22170817	CHIP CAP.	GRM40B103M50PT	0.01uF	50V	B	
C 1055	K22170817	CHIP CAP.	GRM40B103M50PT	0.01uF	50V	B	
C 1056	K46170014	AL. ELECTRO. CAP.	50VR22M5X11TR5	0.22uF	50V		
C 1057	K22170817	CHIP CAP.	GRM40B103M50PT	0.01uF	50V	B	
C 1058	K22170235	CHIP CAP.	GRM40CH101J50PT	100pF	50V	CH	
C 1059	K22171008	CHIP CAP.	GRM40F473Z50PT	0.047uF	50V	F	
C 1060	K22170817	CHIP CAP.	GRM40B103M50PT	0.01uF	50V	B	
C 1061	K22170817	CHIP CAP.	GRM40B103M50PT	0.01uF	50V	B	
C 1062	K22170805	CHIP CAP.	GRM40B102M50PT	0.001uF	50V	B	
C 1063	K22170817	CHIP CAP.	GRM40B103M50PT	0.01uF	50V	B	
C 1064	K26170703	CERAMIC CAP.	UAU04X152K7L36VC	0.0015	50V	X	
C 1065	K26170706	CERAMIC CAP.	UAU05X272K7L36VC	0.0027	50V	X	
C 1066	K26170706	CERAMIC CAP.	UAU05X272K7L36VC	0.0027	50V	X	
C 1067	K26170703	CERAMIC CAP.	UAU04X152K7L36VC	0.0015	50V	X	
C 1068	K22171008	CHIP CAP.	GRM40F473Z50PT	0.047uF	50V	F	
C 1069	K46170021	AL. ELECTRO. CAP.	50V100M5X11TR5	10uF	50V		
C 1070	K26171044	CERAMIC CAP.	DD109-979SL431J50	430p	50V	SL	
C 1071	K22171008	CHIP CAP.	GRM40F473Z50PT	0.047uF	50V	F	
C 1072	K26170702	CERAMIC CAP.	UAU04X122K7L36VC	0.0012	50V	X	
C 1073	K26171029	CERAMIC CAP.	DD105-979SL101J50	100pF	50V	SL	
C 1074	K26170702	CERAMIC CAP.	UAU04X122K7L36VC	0.0012	50V	X	
C 1075	K26171044	CERAMIC CAP.	DD109-979SL431J50	430p	50V	SL	
C 1076	K22171008	CHIP CAP.	GRM40F473Z50PT	0.047uF	50V	F	
C 1077	K46170021	AL. ELECTRO. CAP.	50V100M5X11TR5	10uF	50V		
C 1078	K26171044	CERAMIC CAP.	DD109-979SL431J50	430p	50V	SL	
C 1079	K22171008	CHIP CAP.	GRM40F473Z50PT	0.047uF	50V	F	
C 1080	K26171035	CERAMIC CAP.	DD106-979SL181J50	180pF	50V	SL	
C 1081	K26171040	CERAMIC CAP.	DD107-979SL301J50	300p	50V	SL	
C 1082	K26171036	CERAMIC CAP.	DD106-979SL201J50	200p	50V	SL	
C 1083	K22171008	CHIP CAP.	GRM40F473Z50PT	0.047uF	50V	F	
C 1084	K26171046	CERAMIC CAP.	DD109-979SL511J50	510p	50V	SL	
C 1085	K46170021	AL. ELECTRO. CAP.	50V100M5X11TR5	10uF	50V		
C 1086	K26171039	CERAMIC CAP.	DD107-979SL271J50	270pF	50V	SL	
C 1087	K22171008	CHIP CAP.	GRM40F473Z50PT	0.047uF	50V	F	
C 1088	K26171029	CERAMIC CAP.	DD105-979SL101J50	100pF	50V	SL	
C 1089	K26171036	CERAMIC CAP.	DD106-979SL201J50	200p	50V	SL	
C 1090	K26171029	CERAMIC CAP.	DD105-979SL101J50	100pF	50V	SL	
C 1091	K22171008	CHIP CAP.	GRM40F473Z50PT	0.047uF	50V	F	
C 1092	K26171041	CERAMIC CAP.	DD107-979SL331J50	330pF	50V	SL	
C 1093	K46170021	AL. ELECTRO. CAP.	50V100M5X11TR5	10uF	50V		
C 1094	K26171031	CERAMIC CAP.	DD105-979SL121J50	120pF	50V	SL	
C 1095	K22170817	CHIP CAP.	GRM40B103M50PT	0.01uF	50V	B	
C 1096	K26171027	CERAMIC CAP.	DD104-979SL820J50	82pF	50V	SL	
C 1097	K26171043	CERAMIC CAP.	DD108-979SL391J50	390pF	50V	SL	
C 1098	K26171027	CERAMIC CAP.	DD104-979SL820J50	82pF	50V	SL	
C 1099	K22170817	CHIP CAP.	GRM40B103M50PT	0.01uF	50V	B	
C 1100	K26171034	CERAMIC CAP.	DD106-979SL161J50	160p	50V	SL	

For Service Manuals Contact  
**MAURITRON TECHNICAL SERVICES**  
 8 Cherry Tree Rd, Chalfont  
 Oxon OX9 4QY  
 Tel:- 01844-351694 Fax:- 01844-352554  
 Email:- enquiries@mauritron.co.uk

REF.	YAESU P/N	DESCRIPTION	MFGR'S DESIG	VALUE	WV	TOL.	VERS.
C 1101	K46170021	AL. ELECTRO. CAP.	50V100M5X11TR5	10uF	50V		
C 1102	K26171037	CERAMIC CAP.	DD107-979SL221J50	220pF	50V	SL	
C 1103	K22170817	CHIP CAP.	GRM40B103M50PT	0.01uF	50V	B	
C 1104	K26171016	CERAMIC CAP.	DD104-979SL300J50	30p	50V	SL	
C 1105	K26171044	CERAMIC CAP.	DD109-979SL431J50	430p	50V	SL	
C 1106	K26171016	CERAMIC CAP.	DD104-979SL300J50	30p	50V	SL	
C 1107	K22170817	CHIP CAP.	GRM40B103M50PT	0.01uF	50V	B	
C 1108	K26171038	CERAMIC CAP.	DD107-979SL241J50	240p	50V	SL	
C 1109	K46170021	AL. ELECTRO. CAP.	50V100M5X11TR5	10uF	50V		
C 1110	K26171032	CERAMIC CAP.	DD105-979SL131J50	130p	50V	SL	
C 1111	K22170817	CHIP CAP.	GRM40B103M50PT	0.01uF	50V	B	
C 1112	K26171017	CERAMIC CAP.	DD104-979SL330J50	33pF	50V	SL	
C 1113	K26171042	CERAMIC CAP.	DD108-979SL361J50	360p	50V	SL	
C 1114	K26171017	CERAMIC CAP.	DD104-979SL330J50	33pF	50V	SL	
C 1115	K22170817	CHIP CAP.	GRM40B103M50PT	0.01uF	50V	B	
C 1116	K26171032	CERAMIC CAP.	DD105-979SL131J50	130p	50V	SL	
C 1117	K46170021	AL. ELECTRO. CAP.	50V100M5X11TR5	10uF	50V		
C 1118	K26171033	CERAMIC CAP.	DD106-979SL151J50	150pF	50V	SL	
C 1119	K22170817	CHIP CAP.	GRM40B103M50PT	0.01uF	50V	B	
C 1120	K26171012	CERAMIC CAP.	DD104-979SL200J50	20p	50V	SL	
C 1121	K26171041	CERAMIC CAP.	DD107-979SL331J50	330pF	50V	SL	
C 1122	K26171012	CERAMIC CAP.	DD104-979SL200J50	20p	50V	SL	
C 1123	K22170817	CHIP CAP.	GRM40B103M50PT	0.01uF	50V	B	
C 1124	K26171030	CERAMIC CAP.	DD105-979SL111J50	110p	50V	SL	
C 1125	K46170021	AL. ELECTRO. CAP.	50V100M5X11TR5	10uF	50V		
C 1126	K26171028	CERAMIC CAP.	DD105-979SL910J50	91p	50V	SL	
C 1127	K22170817	CHIP CAP.	GRM40B103M50PT	0.01uF	50V	B	
C 1128	K26171009	CERAMIC CAP.	DD104-979SL150J50	15pF	50V	SL	
C 1129	K26171039	CERAMIC CAP.	DD107-979SL271J50	270pF	50V	SL	
C 1130	K26171009	CERAMIC CAP.	DD104-979SL150J50	15pF	50V	SL	
C 1131	K22170817	CHIP CAP.	GRM40B103M50PT	0.01uF	50V	B	
C 1132	K26171029	CERAMIC CAP.	DD105-979SL101J50	100pF	50V	SL	
C 1133	K46170021	AL. ELECTRO. CAP.	50V100M5X11TR5	10uF	50V		
C 1134	K26171023	CERAMIC CAP.	DD104-979SL560J50	56pF	50V	SL	
C 1135	K22170817	CHIP CAP.	GRM40B103M50PT	0.01uF	50V	B	
C 1136	K26171011	CERAMIC CAP.	DD104-979SL180J50	18pF	50V	SL	
C 1137	K26171031	CERAMIC CAP.	DD105-979SL121J50	120pF	50V	SL	
C 1138	K26171011	CERAMIC CAP.	DD104-979SL180J50	18pF	50V	SL	
C 1139	K22170817	CHIP CAP.	GRM40B103M50PT	0.01uF	50V	B	
C 1140	K26171021	CERAMIC CAP.	DD104-979SL470J50	47pF	50V	SL	
C 1141	K46170021	AL. ELECTRO. CAP.	50V100M5X11TR5	10uF	50V		
C 1142	K26171017	CERAMIC CAP.	DD104-979SL330J50	33pF	50V	SL	
C 1143	K22170817	CHIP CAP.	GRM40B103M50PT	0.01uF	50V	B	
C 1144	K26171003	CERAMIC CAP.	DD104-979SL080D50	8pF	50V	SL	
C 1145	K26171029	CERAMIC CAP.	DD105-979SL101J50	100pF	50V	SL	
C 1146	K26171003	CERAMIC CAP.	DD104-979SL080D50	8pF	50V	SL	
C 1147	K22170817	CHIP CAP.	GRM40B103M50PT	0.01uF	50V	B	
C 1148	K26171019	CERAMIC CAP.	DD104-979SL390J50	39pF	50V	SL	
C 1149	K46170021	AL. ELECTRO. CAP.	50V100M5X11TR5	10uF	50V		
C 1150	K26171039	CERAMIC CAP.	DD107-979SL271J50	270pF	50V	SL	
C 1151	K26171039	CERAMIC CAP.	DD107-979SL271J50	270pF	50V	SL	
C 1152	K46170017	AL. ELECTRO. CAP.	50V010M5X11TR5	1uF	50V		
C 1153	K22171008	CHIP CAP.	GRM40F473Z50PT	0.047uF	50V	F	
C 1154	K46170021	AL. ELECTRO. CAP.	50V100M5X11TR5	10uF	50V		
C 1155	K46170013	AL. ELECTRO. CAP.	50VR10M5X11TR5	0.1uF	50V		

# RF Unit

REF.	YAESU P/N	DESCRIPTION	MFGR'S DESIG	VALUE	WV	TOL.	VERS.
C 1156	K46170021	AL. ELECTRO. CAP.	50V100M5X11TR5	10uF	50V		
C 1157	K22170817	CHIP CAP.	GRM40B103M50PT	0.01uF	50V	B	
C 1158	K46170014	AL. ELECTRO. CAP.	50VR22M5X11TR5	0.22uF	50V		
C 1159	K22170817	CHIP CAP.	GRM40B103M50PT	0.01uF	50V	B	
C 1161	K46170021	AL. ELECTRO. CAP.	50V100M5X11TR5	10uF	50V		
C 1162	K22170805	CHIP CAP.	GRM40B102M50PT	0.001uF	50V	B	
C 1164	K46170014	AL. ELECTRO. CAP.	50VR22M5X11TR5	0.22uF	50V		
C 1165	K46170021	AL. ELECTRO. CAP.	50V100M5X11TR5	10uF	50V		
C 1167	K46170016	AL. ELECTRO. CAP.	50VR47M5X11TR5	0.47uF	50V		
C 1168	K22171008	CHIP CAP.	GRM40F473Z50PT	0.047uF	50V	F	
C 1169	K22171008	CHIP CAP.	GRM40F473Z50PT	0.047uF	50V	F	
C 1170	K46170017	AL. ELECTRO. CAP.	50V010M5X11TR5	1uF	50V		
C 1171	K46170017	AL. ELECTRO. CAP.	50V010M5X11TR5	1uF	50V		
C 1173	K22171008	CHIP CAP.	GRM40F473Z50PT	0.047uF	50V	F	
C 1174	K22171008	CHIP CAP.	GRM40F473Z50PT	0.047uF	50V	F	
C 1175	K22172009	CHIP CAP.	GRM42-6F104Z50PT	0.1uF	50V	F	
C 1176	K46170017	AL. ELECTRO. CAP.	50V010M5X11TR5	1uF	50V		
C 1177	K22171008	CHIP CAP.	GRM40F473Z50PT	0.047uF	50V	F	
C 1178	K46170021	AL. ELECTRO. CAP.	50V100M5X11TR5	10uF	50V		
C 1179	K22170817	CHIP CAP.	GRM40B103M50PT	0.01uF	50V	B	
C 1180	K22172009	CHIP CAP.	GRM42-6F104Z50PT	0.1uF	50V	F	
C 1181	K22170817	CHIP CAP.	GRM40B103M50PT	0.01uF	50V	B	
C 1182	K26171025	CERAMIC CAP.	DD104-979SL680J50	68pF	50V	SL	
C 1183	K26171013	CERAMIC CAP.	DD104-979SL220J50	22pF	50V	SL	
C 1184	K26171033	CERAMIC CAP.	DD106-979SL151J50	150pF	50V	SL	
C 1185	K26171001	CERAMIC CAP.	DD104-979SL060D50	6pF	50V	SL	
C 1186	K26171025	CERAMIC CAP.	DD104-979SL680J50	68pF	50V	SL	
C 1187	K26170657	CERAMIC CAP.	DD106-979F103Z50	0.01uF	50V	F	
C 1188	K26170727	CERAMIC CAP.	DD308-979F104Z50	0.1uF	50V	F	
C 1190	K46170021	AL. ELECTRO. CAP.	50V100M5X11TR5	10uF	50V		
C 1191	K46170021	AL. ELECTRO. CAP.	50V100M5X11TR5	10uF	50V		
C 1194	K22171008	CHIP CAP.	GRM40F473Z50PT	0.047uF	50V	F	
C 1195	K26171048	CERAMIC CAP.	DD110-979SL621J50	620p	50V	SL	
C 1196	K26171048	CERAMIC CAP.	DD110-979SL621J50	620p	50V	SL	
C 1197	K26171045	CERAMIC CAP.	DD109-979SL471J50	470pF	50V	SL	
C 1199	K26170098	CERAMIC CAP.	DD104-979SL030C50	3pF	50V	SL	
C 1200	K26171013	CERAMIC CAP.	DD104-979SL220J50	22pF	50V	SL	
C 1201	K26170100	CERAMIC CAP.	DD104-979SL050C50	5pF	50V	SL	
C 1203	K46170017	AL. ELECTRO. CAP.	50V010M5X11TR5	1uF	50V		
C 1204	K22170817	CHIP CAP.	GRM40B103M50PT	0.01uF	50V	B	
C 1207	K22170219	CHIP CAP.	GRM40CH220J50PT	22pF	50V	CH	
C 1208	K22170817	CHIP CAP.	GRM40B103M50PT	0.01uF	50V	B	
C 1209	K22170817	CHIP CAP.	GRM40B103M50PT	0.01uF	50V	B	
C 1210	K22172009	CHIP CAP.	GRM42-6F104Z50PT	0.1uF	50V	F	
C 1211	K22171008	CHIP CAP.	GRM40F473Z50PT	0.047uF	50V	F	
C 1212	K22170213	CHIP CAP.	GRM40CH120J50PT	12pF	50V	CH	
C 1213	K22170817	CHIP CAP.	GRM40B103M50PT	0.01uF	50V	B	
C 1214	K46170016	AL. ELECTRO. CAP.	50VR47M5X11TR5	0.47uF	50V		
C 1215	K22170805	CHIP CAP.	GRM40B102M50PT	0.001uF	50V	B	
C 1216	K22170805	CHIP CAP.	GRM40B102M50PT	0.001uF	50V	B	
C 1217	K22171008	CHIP CAP.	GRM40F473Z50PT	0.047uF	50V	F	
D 1001	G2060004	DIODE	1SS270TJ				
D 1002	G2060004	DIODE	1SS270TJ				
D 1003	G2060004	DIODE	1SS270TJ				

For Service Manuals Contact  
**MAURITRON TECHNICAL SERVICES**  
 8 Cherry Tree Rd, Chinnor  
 Oxon OX9 4QY  
 Tel: 01844-351694 Fax: 01844-352554  
 Email: enquiries@mauritron.co.uk



REF.	YAESU P/N	DESCRIPTION	MFGR'S DESIG	VALUE	WV	TOL.	VERS.
D 1004	G2060004	DIODE	1SS270TJ				
D 1005	G2060004	DIODE	1SS270TJ				
D 1006	G2060004	DIODE	1SS270TJ				
D 1007	G2060004	DIODE	1SS270TJ				
D 1008	G2060004	DIODE	1SS270TJ				
D 1009	G2060004	DIODE	1SS270TJ				
D 1012	G2090200	DIODE	1SV80				
D 1013	G2090200	DIODE	1SV80				
D 1014	G2090200	DIODE	1SV80				
D 1015	G2050007	DIODE	1SS83RE				
D 1016	G2050007	DIODE	1SS83RE				
D 1018	G2060004	DIODE	1SS270TJ				
D 1019	G2050007	DIODE	1SS83RE				
D 1020	G2050007	DIODE	1SS83RE				
D 1021	G2050007	DIODE	1SS83RE				
D 1022	G2050007	DIODE	1SS83RE				
D 1023	G2050007	DIODE	1SS83RE				
D 1024	G2050007	DIODE	1SS83RE				
D 1025	G2050007	DIODE	1SS83RE				
D 1026	G2050007	DIODE	1SS83RE				
D 1027	G2050007	DIODE	1SS83RE				
D 1028	G2050007	DIODE	1SS83RE				
D 1029	G2050007	DIODE	1SS83RE				
D 1030	G2050007	DIODE	1SS83RE				
D 1031	G2050007	DIODE	1SS83RE				
D 1032	G2050007	DIODE	1SS83RE				
D 1033	G2050007	DIODE	1SS83RE				
D 1034	G2050007	DIODE	1SS83RE				
D 1035	G2050007	DIODE	1SS83RE				
D 1036	G2050007	DIODE	1SS83RE				
D 1037	G2050007	DIODE	1SS83RE				
D 1038	G2050007	DIODE	1SS83RE				
D 1039	G2050007	DIODE	1SS83RE				
D 1040	G2050007	DIODE	1SS83RE				
D 1041	G2050007	DIODE	1SS83RE				
D 1042	G2050007	DIODE	1SS83RE				
D 1043	G2050007	DIODE	1SS83RE				
D 1044	G2050007	DIODE	1SS83RE				
D 1045	G2050007	DIODE	1SS83RE				
D 1046	G2060004	DIODE	1SS270TJ				
D 1049	G2090199	DIODE	RD12EB2				
D 1050	G2060006	DIODE	RD4. 7EB2-T1				
D 1051	G2060004	DIODE	1SS270TJ				
D 1052	G2060004	DIODE	1SS270TJ				
D 1053	G2090199	DIODE	RD12EB2				
D 1055	G2060004	DIODE	1SS270TJ				
D 1056	G2050007	DIODE	1SS83RE				
D 1057	G2090132	DIODE	1SS55				
D 1058	G2060004	DIODE	1SS270TJ				
D 1060	G2090015	DIODE	RD6. 2EB3				
D 1061	G2090135	DIODE	ND487C2-3R				
D 1062	G2060004	DIODE	1SS270TJ				
D 1063	G2090132	DIODE	1SS55				
D 1064	G2090118	DIODE	1SS97				
D 1065	G2060004	DIODE	1SS270TJ				

For Service Manuals Contact  
**MAURITRON TECHNICAL SERVICES**  
8 Cherry Tree Rd, Chinnor  
Oxon OX9 4QY  
Tel:- 01844-351694 Fax:- 01844-352554  
Email:- enquiries@mauritron.co.uk

# RF Unit

REF.	YAESU P/N	DESCRIPTION	MFRG'S DESIG	VALUE	WV	TOL.	VERS.
D 1066	G2060004	DIODE	1SS270TJ				
D 1067	G2090181	DIODE	HZ7B1L				
J 1001	P1090255	CONNECTOR	TMP-J01X-A2				
J 1002	P0090741	CONNECTOR	EC1C-22P-2.5DSA				
J 1003	P0090741	CONNECTOR	EC1C-22P-2.5DSA				
J 1004	P1090255	CONNECTOR	TMP-J01X-A2				
J 1005	P1090255	CONNECTOR	TMP-J01X-A2				
L 1001	L1790119	M. RFC	LAL03TA102K	1mH			
L 1002	L0021409	COIL	0.117U T25-12				
L 1003	L0021409	COIL	0.117U T25-12				
L 1004	L1790058	M. RFC	LAP02TA100K	10uH			
L 1005	L1790054	M. RFC	LAP02TA4R7K	4.7uH			
L 1006	L1790046	M. RFC	LAP02TA1R0K	1uH			
L 1007	L1790119	M. RFC	LAL03TA102K	1mH			
L 1009	L1790046	M. RFC	LAP02TA1R0K	1uH			
L 1010	L1790058	M. RFC	LAP02TA100K	10uH			
L 1011	L1790054	M. RFC	LAP02TA4R7K	4.7uH			
L 1012	L0021409	COIL	0.117U T25-12				
L 1013	L0021409	COIL	0.117U T25-12				
L 1014	L1790055	M. RFC	LAP02TA5R6K	5.6uH			
L 1015	L1790055	M. RFC	LAP02TA5R6K	5.6uH			
L 1016	L1790119	M. RFC	LAL03TA102K	1mH			
L 1017	L1790119	M. RFC	LAL03TA102K	1mH			
L 1018	L1790119	M. RFC	LAL03TA102K	1mH			
L 1019	L1790119	M. RFC	LAL03TA102K	1mH			
L 1020	L1790069	M. RFC	LAP02TA820K	82uH			
L 1021	L1790070	M. RFC	LAP02TA101K	100uH			
L 1022	L1790069	M. RFC	LAP02TA820K	82uH			
L 1023	L1790119	M. RFC	LAL03TA102K	1mH			
L 1024	L1790068	M. RFC	LAP02TA680K	68uH			
L 1025	L1790063	M. RFC	LAP02TA270K	27uH			
L 1026	L1790065	M. RFC	LAP02TA390K	39uH			
L 1027	L1790063	M. RFC	LAP02TA270K	27uH			
L 1028	L1790068	M. RFC	LAP02TA680K	68uH			
L 1029	L1790119	M. RFC	LAL03TA102K	1mH			
L 1030	L1790058	M. RFC	LAP02TA100K	10uH			
L 1031	L1790063	M. RFC	LAP02TA270K	27uH			
L 1032	L1790055	M. RFC	LAP02TA5R6K	5.6uH			
L 1033	L1790063	M. RFC	LAP02TA270K	27uH			
L 1034	L1790058	M. RFC	LAP02TA100K	10uH			
L 1035	L1790056	M. RFC	LAP02TA6R8K	6.8uH			
L 1036	L1790062	M. RFC	LAP02TA220K	22uH			
L 1037	L1790052	M. RFC	LAP02TA3R3K	3.3uH			
L 1038	L1790062	M. RFC	LAP02TA220K	22uH			
L 1039	L1790056	M. RFC	LAP02TA6R8K	6.8uH			
L 1040	L1790055	M. RFC	LAP02TA5R6K	5.6uH			
L 1041	L1790059	M. RFC	LAP02TA120K	12uH			
L 1042	L1790051	M. RFC	LAP02TA2R7K	2.7u			
L 1043	L1790059	M. RFC	LAP02TA120K	12uH			
L 1044	L1790055	M. RFC	LAP02TA5R6K	5.6uH			
L 1045	L1790049	M. RFC	LAP02TA1R8K	1.8u			
L 1046	L1790060	M. RFC	LAP02TA150K	15uH			
L 1047	L1790047	M. RFC	LAP02TA1R2K	1.2u			

REF.	YAESU P/N	DESCRIPTION	MFGR'S DESIG	VALUE	WV	TOL.	VERS.
L 1048	L1790060	M. RFC	LAP02TA150K	15uH			
L 1049	L1790049	M. RFC	LAP02TA1R8K	1.8u			
L 1050	L1790049	M. RFC	LAP02TA1R8K	1.8u			
L 1051	L1790058	M. RFC	LAP02TA100K	10uH			
L 1052	L1790046	M. RFC	LAP02TA1R0K	1uH			
L 1053	L1790058	M. RFC	LAP02TA100K	10uH			
L 1054	L1790049	M. RFC	LAP02TA1R8K	1.8u			
L 1055	L1790047	M. RFC	LAP02TA1R2K	1.2u			
L 1056	L1790058	M. RFC	LAP02TA100K	10uH			
L 1057	L1790044	M. RFC	LAP02TA868K	0.68uH			
L 1058	L1790058	M. RFC	LAP02TA100K	10uH			
L 1059	L1790047	M. RFC	LAP02TA1R2K	1.2u			
L 1060	L1790046	M. RFC	LAP02TA1R0K	1uH			
L 1061	L1790057	M. RFC	LAP02TA8R2K	8.2uH			
L 1062	L1790043	M. RFC	LAP02TA856K	0.56uH			
L 1063	L1790057	M. RFC	LAP02TA8R2K	8.2uH			
L 1064	L1790046	M. RFC	LAP02TA1R0K	1uH			
L 1065	L1790046	M. RFC	LAP02TA1R0K	1uH			
L 1066	L1790053	M. RFC	LAP02TA3R9K	3.9uH			
L 1067	L1790043	M. RFC	LAP02TA856K	0.56uH			
L 1068	L1790053	M. RFC	LAP02TA3R9K	3.9uH			
L 1069	L1790046	M. RFC	LAP02TA1R0K	1uH			
L 1070	L1790043	M. RFC	LAP02TA856K	0.56uH			
L 1071	L1790052	M. RFC	LAP02TA3R3K	3.3uH			
L 1072	L1790041	M. RFC	LAP02TA839K	0.39uH			
L 1073	L1790052	M. RFC	LAP02TA3R3K	3.3uH			
L 1074	L1790043	M. RFC	LAP02TA856K	0.56uH			
L 1075	L1790060	M. RFC	LAP02TA150K	15uH			
L 1077	L1790064	M. RFC	LAP02TA330K	33uH			
L 1078	L1790064	M. RFC	LAP02TA330K	33uH			
L 1080	L1790055	M. RFC	LAP02TA5R6K	5.6uH			
L 1081	L1790067	M. RFC	LAP02TA560K	56uH			
L 1082	L1790070	M. RFC	LAP02TA101K	100uH			
L 1084	L1790119	M. RFC	LAL03TA102K	1mH			
L 1085	L0021222	COIL	0.240U T25-6				
L 1086	L0020927	COIL	0.280U T25-6				
L 1087	L1190227	M. RFC	LAL03NA561K	560uH			
L 1089	L0021821A	COIL	6.5T3.5D0.6UEW R				
L 1090	L1790119	M. RFC	LAL03TA102K	1mH			
L 1091	L1790038	M. RFC	LAP02TA822K	0.22uH			
Q 1001	G1090088	IC	MC14028BCP				
Q 1002	G4801317B	FET	3SK131-T2B V12				
Q 1003	G3326207B	TRANSISTOR	2SC2620QBTR				
Q 1004	G3320530	TRANSISTOR	2SC2053				
Q 1005	G3305354B	TRANSISTOR	2SC535BTZ				
Q 1006	G3320530	TRANSISTOR	2SC2053				
Q 1007	G3801250	FET	2SK125				
Q 1008	G3801250	FET	2SK125				
Q 1009	G3801250	FET	2SK125				
Q 1010	G3801250	FET	2SK125				
Q 1011	G3327127G	TRANSISTOR	2SC2712GR TE85R				
Q 1012	G1091140	IC	M5218AL				
Q 1013	G4801797L	FET	3SK179-T2 V02				
Q 1014	G1091140	IC	M5218AL				

# RF Unit

REF.	YAESU P/N	DESCRIPTION	MFGR'S DESIG	VALUE	WV	TOL.	VERS.
Q 1015	G3070006	TRANSISTOR	FA1A4P-T2B				
Q 1016	G3070006	TRANSISTOR	FA1A4P-T2B				
Q 1017	G3327127G	TRANSISTOR	2SC2712GR TE85R				
Q 1018	G1091140	IC	M5218AL				
Q 1019	G1091140	IC	M5218AL				
Q 1020	G3070006	TRANSISTOR	FA1A4P-T2B				
Q 1021	G1091140	IC	M5218AL				
Q 1022	G3324071	TRANSISTOR	2SC2407 (A)				
Q 1023	G1090395	IC	SN74LS145N				
Q 1024	G3304580B	TRANSISTOR	2SC458B				
Q 1025	G1090895	IC	TC4S81F TE85R				
Q 1026	G3801250	FET	2SK125				
Q 1027	G3801250	FET	2SK125				
Q 1028	G3327127G	TRANSISTOR	2SC2712GR TE85R				
Q 1029	G3305354B	TRANSISTOR	2SC535BTZ				
<b>For Service Manuals Contact</b>							
<b>MAURITRON TECHNICAL SERVICES</b>							
8 Cherry Tree Rd, Chinnor							
Oxon OX9 4QY							
Tel: 01844-351694 Fax: 01844-352554							
Email: enquiries@mauritron.co.uk							
R 1001	J24205473	CHIP RES.	RMC1/10T 473J	47K		1/10W	
R 1002	J24205123	CHIP RES.	RMC1/10T 123J	12K		1/10W	
R 1003	J24205473	CHIP RES.	RMC1/10T 473J	47K		1/10W	
R 1004	J24205103	CHIP RES.	RMC1/10T 103J	10K		1/10W	
R 1005	J24205221	CHIP RES.	RMC1/10T 221J	220		1/10W	
R 1006	J24205103	CHIP RES.	RMC1/10T 103J	10K		1/10W	
R 1007	J24205101	CHIP RES.	RMC1/10T 101J	100		1/10W	
R 1008	J24205150	CHIP RES.	RMC1/10T 150J	15		1/10W	
R 1009	J24205680	CHIP RES.	RMC1/10T 680J	68		1/10W	
R 1010	J24205150	CHIP RES.	RMC1/10T 150J	15		1/10W	
R 1011	J24205221	CHIP RES.	RMC1/10T 221J	220		1/10W	
R 1012	J24205223	CHIP RES.	RMC1/10T 223J	22K		1/10W	
R 1014	J24205829	CHIP RES.	RMC1/10T 8R2J	8.2		1/10W	
R 1015	J24205151	CHIP RES.	RMC1/10T 151J	150		1/10W	
R 1016	J24205829	CHIP RES.	RMC1/10T 8R2J	8.2		1/10W	
R 1017	J24205479	CHIP RES.	RMC1/10T 4R7J	4.7		1/10W	
R 1018	J05245560	CARBON FILM RES.	RD14TPR560J	56		1/4W	
R 1019	J24205102	CHIP RES.	RMC1/10T 102J	1K		1/10W	
R 1020	J24205331	CHIP RES.	RMC1/10T 331J	330		1/10W	
R 1021	J24205101	CHIP RES.	RMC1/10T 101J	100		1/10W	
R 1022	J24205221	CHIP RES.	RMC1/10T 221J	220		1/10W	
R 1023	J24205221	CHIP RES.	RMC1/10T 221J	220		1/10W	
R 1024	J24205101	CHIP RES.	RMC1/10T 101J	100		1/10W	
R 1025	J24205102	CHIP RES.	RMC1/10T 102J	1K		1/10W	
R 1026	J24205331	CHIP RES.	RMC1/10T 331J	330		1/10W	
R 1027	J24205229	CHIP RES.	RMC1/10T 2R2J	2.2		1/10W	
R 1028	J05245560	CARBON FILM RES.	RD14TPR560J	56		1/4W	
R 1029	J24205829	CHIP RES.	RMC1/10T 8R2J	8.2		1/10W	
R 1030	J24205151	CHIP RES.	RMC1/10T 151J	150		1/10W	
R 1031	J24205829	CHIP RES.	RMC1/10T 8R2J	8.2		1/10W	
R 1032	J24205103	CHIP RES.	RMC1/10T 103J	10K		1/10W	
R 1033	J24205104	CHIP RES.	RMC1/10T 104J	100K		1/10W	
R 1034	J24205681	CHIP RES.	RMC1/10T 681J	680		1/10W	
R 1035	J24205681	CHIP RES.	RMC1/10T 681J	680		1/10W	
R 1036	J24205220	CHIP RES.	RMC1/10T 220J	22		1/10W	
R 1037	J24205220	CHIP RES.	RMC1/10T 220J	22		1/10W	
R 1038	J24205471	CHIP RES.	RMC1/10T 471J	470		1/10W	
R 1039	J24205561	CHIP RES.	RMC1/10T 561J	560		1/10W	
R 1040	J24205101	CHIP RES.	RMC1/10T 101J	100		1/10W	

REF.	YAESU P/N	DESCRIPTION	MFR'S DESIG	VALUE	WV	TOL.	VERS.
R 1041	J24205560	CHIP RES.	RMC1/10T 560J	56	1/10W		
R 1042	J05245331	CARBON FILM RES.	RD14TPR331J	330	1/4W		
R 1043	J24205101	CHIP RES.	RMC1/10T 101J	100	1/10W		
R 1044	J24205563	CHIP RES.	RMC1/10T 563J	56K	1/10W		
R 1045	J24205332	CHIP RES.	RMC1/10T 332J	3.3K	1/10W		
R 1046	J24205123	CHIP RES.	RMC1/10T 123J	12K	1/10W		
R 1047	J24205105	CHIP RES.	RMC1/10T 105J	1M	1/10W		
R 1048	J24205184	CHIP RES.	RMC1/10T 184J	180K	1/10W		
R 1049	J24205105	CHIP RES.	RMC1/10T 105J	1M	1/10W		
R 1050	J24205184	CHIP RES.	RMC1/10T 184J	180K	1/10W		
R 1051	J24205153	CHIP RES.	RMC1/10T 153J	15K	1/10W		
R 1052	J24205104	CHIP RES.	RMC1/10T 104J	100K	1/10W		
R 1053	J24205473	CHIP RES.	RMC1/10T 473J	47K	1/10W		
R 1054	J24205683	CHIP RES.	RMC1/10T 683J	68K	1/10W		
R 1055	J24205124	CHIP RES.	RMC1/10T 124J	120K	1/10W		
R 1056	J24205474	CHIP RES.	RMC1/10T 474J	470K	1/10W		
R 1057	J24205471	CHIP RES.	RMC1/10T 471J	470	1/10W		
R 1058	J24205333	CHIP RES.	RMC1/10T 333J	33K	1/10W		
R 1059	J24205101	CHIP RES.	RMC1/10T 101J	100	1/10W		
R 1060	J24205330	CHIP RES.	RMC1/10T 330J	33	1/10W		
R 1061	J24205101	CHIP RES.	RMC1/10T 101J	100	1/10W		
R 1062	J24205271	CHIP RES.	RMC1/10T 271J	270	1/10W		
R 1063	J24205391	CHIP RES.	RMC1/10T 391J	390	1/10W		
R 1064	J24205271	CHIP RES.	RMC1/10T 271J	270	1/10W		
R 1065	J24205330	CHIP RES.	RMC1/10T 330J	33	1/10W		
R 1066	J24205101	CHIP RES.	RMC1/10T 101J	100	1/10W		
R 1067	J24205330	CHIP RES.	RMC1/10T 330J	33	1/10W		
R 1068	J24205101	CHIP RES.	RMC1/10T 101J	100	1/10W		
R 1069	J24205330	CHIP RES.	RMC1/10T 330J	33	1/10W		
R 1070	J24205101	CHIP RES.	RMC1/10T 101J	100	1/10W		
R 1071	J24205330	CHIP RES.	RMC1/10T 330J	33	1/10W		
R 1072	J24205101	CHIP RES.	RMC1/10T 101J	100	1/10W		
R 1073	J24205330	CHIP RES.	RMC1/10T 330J	33	1/10W		
R 1074	J24205101	CHIP RES.	RMC1/10T 101J	100	1/10W		
R 1075	J24205330	CHIP RES.	RMC1/10T 330J	33	1/10W		
R 1076	J24205101	CHIP RES.	RMC1/10T 101J	100	1/10W		
R 1077	J24205330	CHIP RES.	RMC1/10T 330J	33	1/10W		
R 1078	J24205101	CHIP RES.	RMC1/10T 101J	100	1/10W		
R 1079	J24205330	CHIP RES.	RMC1/10T 330J	33	1/10W		
R 1080	J24205101	CHIP RES.	RMC1/10T 101J	100	1/10W		
R 1081	J24205330	CHIP RES.	RMC1/10T 330J	33	1/10W		
R 1082	J24205101	CHIP RES.	RMC1/10T 101J	100	1/10W		
R 1083	J24205330	CHIP RES.	RMC1/10T 330J	33	1/10W		
R 1085	J24205472	CHIP RES.	RMC1/10T 472J	4.7K	1/10W		
R 1090	J24205103	CHIP RES.	RMC1/10T 103J	10K	1/10W		
R 1091	J24205105	CHIP RES.	RMC1/10T 105J	1M	1/10W		
R 1092	J24205472	CHIP RES.	RMC1/10T 472J	4.7K	1/10W		
R 1093	J24205182	CHIP RES.	RMC1/10T 182J	1.8K	1/10W		
R 1094	J24205103	CHIP RES.	RMC1/10T 103J	10K	1/10W		
R 1095	J24205473	CHIP RES.	RMC1/10T 473J	47K	1/10W		
R 1096	J24205154	CHIP RES.	RMC1/10T 154J	150K	1/10W		
R 1097	J24205104	CHIP RES.	RMC1/10T 104J	100K	1/10W		
R 1098	J24205182	CHIP RES.	RMC1/10T 182J	1.8K	1/10W		
R 1099	J24205472	CHIP RES.	RMC1/10T 472J	4.7K	1/10W		
R 1100	J24205104	CHIP RES.	RMC1/10T 104J	100K	1/10W		

# RF Unit

REF.	YAESU P/N	DESCRIPTION	MFGR'S DESIG	VALUE	WV	TOL.	VERS.
R 1101	J24205104	CHIP RES.	RMC1/10T 104J	100K	1/10W		
R 1102	J24205473	CHIP RES.	RMC1/10T 473J	47K	1/10W		
R 1103	J24205223	CHIP RES.	RMC1/10T 223J	22K	1/10W		
R 1104	J24205223	CHIP RES.	RMC1/10T 223J	22K	1/10W		
R 1105	J24205104	CHIP RES.	RMC1/10T 104J	100K	1/10W		
R 1106	J24205154	CHIP RES.	RMC1/10T 154J	150K	1/10W		
R 1107	J24205154	CHIP RES.	RMC1/10T 154J	150K	1/10W		
R 1108	J24205154	CHIP RES.	RMC1/10T 154J	150K	1/10W		
R 1109	J24205103	CHIP RES.	RMC1/10T 103J	10K	1/10W		
R 1110	J24205104	CHIP RES.	RMC1/10T 104J	100K	1/10W		
R 1111	J24205104	CHIP RES.	RMC1/10T 104J	100K	1/10W		
R 1112	J24205472	CHIP RES.	RMC1/10T 472J	4.7K	1/10W		
R 1116	J24205393	CHIP RES.	RMC1/10T 393J	39K	1/10W		
R 1117	J24205224	CHIP RES.	RMC1/10T 224J	220K	1/10W		
R 1118	J24205393	CHIP RES.	RMC1/10T 393J	39K	1/10W		
R 1119	J24205224	CHIP RES.	RMC1/10T 224J	220K	1/10W		
R 1120	J24205332	CHIP RES.	RMC1/10T 332J	3.3K	1/10W		
R 1121	J24205223	CHIP RES.	RMC1/10T 223J	22K	1/10W		
R 1123	J24205103	CHIP RES.	RMC1/10T 103J	10K	1/10W		
R 1124	J24205105	CHIP RES.	RMC1/10T 105J	1M	1/10W		
R 1125	J24205333	CHIP RES.	RMC1/10T 333J	33K	1/10W		
R 1126	J24205103	CHIP RES.	RMC1/10T 103J	10K	1/10W		
R 1127	J24205333	CHIP RES.	RMC1/10T 333J	33K	1/10W		
R 1128	J24205224	CHIP RES.	RMC1/10T 224J	220K	1/10W		
R 1129	J24205101	CHIP RES.	RMC1/10T 101J	100	1/10W		
R 1130	J24205681	CHIP RES.	RMC1/10T 681J	680	1/10W		
R 1131	J24205152	CHIP RES.	RMC1/10T 152J	1.5K	1/10W		
R 1132	J24205479	CHIP RES.	RMC1/10T 4R7J	4.7	1/10W		
R 1133	J01275181	CARBON FILM RES.	RD12TJ181 180	180	1/2W		
R 1134	J24205391	CHIP RES.	RMC1/10T 391J	390	1/10W		
R 1135	J05245331	CARBON FILM RES.	RD14TPR331J	330	1/4W		
R 1136	J24205560	CHIP RES.	RMC1/10T 560J	56	1/10W		
R 1137	J05245101	CARBON FILM RES.	RD14TPR101J	100	1/4W		
R 1138	J24205560	CHIP RES.	RMC1/10T 560J	56	1/10W		
R 1139	J24205471	CHIP RES.	RMC1/10T 471J	470	1/10W		
R 1141	J24205101	CHIP RES.	RMC1/10T 101J	100	1/10W		
R 1142	J24205101	CHIP RES.	RMC1/10T 101J	100	1/10W		
R 1145	J24205223	CHIP RES.	RMC1/10T 223J	22K	1/10W		
R 1146	J05245221	CARBON FILM RES.	RD14TPR221J	220	1/4W		
R 1147	J05245331	CARBON FILM RES.	RD14TPR331J	330	1/4W		
R 1148	J24205330	CHIP RES.	RMC1/10T 330J	33	1/10W		
R 1149	J24205473	CHIP RES.	RMC1/10T 473J	47K	1/10W		
R 1150	J24205561	CHIP RES.	RMC1/10T 561J	560	1/10W		
R 1151	J24205472	CHIP RES.	RMC1/10T 472J	4.7K	1/10W		
R 1152	J24205103	CHIP RES.	RMC1/10T 103J	10K	1/10W		
R 1153	J24205331	CHIP RES.	RMC1/10T 331J	330	1/10W		
R 1154	J24205102	CHIP RES.	RMC1/10T 102J	1K	1/10W		
R 1155	J24205102	CHIP RES.	RMC1/10T 102J	1K	1/10W		
R 1156	J24205102	CHIP RES.	RMC1/10T 102J	1K	1/10W		
R 1157	J24205102	CHIP RES.	RMC1/10T 102J	1K	1/10W		
R 1158	J24205681	CHIP RES.	RMC1/10T 681J	680	1/10W		
R 1159	J24205681	CHIP RES.	RMC1/10T 681J	680	1/10W		
R 1160	J24205104	CHIP RES.	RMC1/10T 104J	100K	1/10W		
R 1161	J24205104	CHIP RES.	RMC1/10T 104J	100K	1/10W		
R 1162	J24205103	CHIP RES.	RMC1/10T 103J	10K	1/10W		

REF.	YAESU P/N	DESCRIPTION	MFGR'S DESIG	VALUE	WV	TOL.	VERS.
R 1163	J24205473	CHIP RES.	RMC1/10T 473J	47K	1/10W		
R 1164	J24205104	CHIP RES.	RMC1/10T 104J	100K	1/10W		
R 1166	J24205102	CHIP RES.	RMC1/10T 102J	1K	1/10W		
R 1167	J24205121	CHIP RES.	RMC1/10T 121J	120	1/10W		
R 1168	J24205332	CHIP RES.	RMC1/10T 332J	3.3K	1/10W		
R 1169	J24205153	CHIP RES.	RMC1/10T 153J	15K	1/10W		
RB1001	J40900175	BLOCK RES.	EXB-P811472J				
RL1001	M1190090	RELAY	AG4013 DC12V		DC12V		
T 1001	L0021223	COIL	47.1M R12-6708A				
T 1002	L0021225	COIL	47.1M R12-6707A				
T 1003	L0020788A	COIL	4-1 2D3 TR6X3				
T 1004	L0020788A	COIL	4-1 2D3 TR6X3				
T 1005	L0021225	COIL	47.1M R12-6707A				
T 1006	L0020883	COIL	4-1 2001F				
T 1007	L0022091	COIL	8-1 2001F				
T 1008	L0022092	COIL	9-8 2001F				
T 1009	L0022093	COIL	1-1 2001F				
T 1010	L0021943	COIL	48.64M R12-J767A				
T 1011	L0021943	COIL	48.64M R12-J767A				
T 1013	L0021536	COIL	47.0M				
T 1015	L0020883	COIL	4-1 2001F				
T 1016	L0021462	07 WIDE TRANS 4:1	4-1 3A				
TH1001	G9090013	THERMISTOR	112501-2				
TP1001	Q5000050	TP-K	IPS-1136				
VR1001	J50784503	POT.	EVN-DCAA03B54	50K			
VR1002	J50784503	POT.	EVN-DCAA03B54	50K			
VR1003	J50784503	POT.	EVN-DCAA03B54	50K			
VR1004	J50784503	POT.	EVN-DCAA03B54	50K			
VR1005	J50784503	POT.	EVN-DCAA03B54	50K			
VR1006	J50784503	POT.	EVN-DCAA03B54	50K			
VR1007	J50784503	POT.	EVN-DCAA03B54	50K			
VR1008	J50784503	POT.	EVN-DCAA03B54	50K			
VR1009	J50784503	POT.	EVN-DCAA03B54	50K			
VR1010	J50784502	POT.	EVN-DCAA03B53	5K			
VR1011	J51783502	POT.	EVN-DCAA03B53	5K			
VR1012	J50784103	POT.	EVN-DCAA03B14	10K			
VR1014	J50784103	POT.	EVN-DCAA03B14	10K			
VR1015	J50784503	POT.	EVN-DCAA03B54	50K			DST EXP
VR1015	J50784503	POT.	EVN-DCAA03B54	50K			DST FRA
VR1015	J50784103	POT.	EVN-DCAA03B14	10K			DST BEL
VR1016	J50784103	POT.	EVN-DCAA03B14	10K			
VR1017	J50784103	POT.	EVN-DCAA03B14	10K			
VR1019	J50784103	POT.	EVN-DCAA03B14	10K			
VR1020	J50784503	POT.	EVN-DCAA03B54	50K			
VR1021	J50784502	POT.	EVN-DCAA03B53	5K			
XF1001	H1102196	XTAL	47G10B1				
	R8049490A	CABLE SEAL					

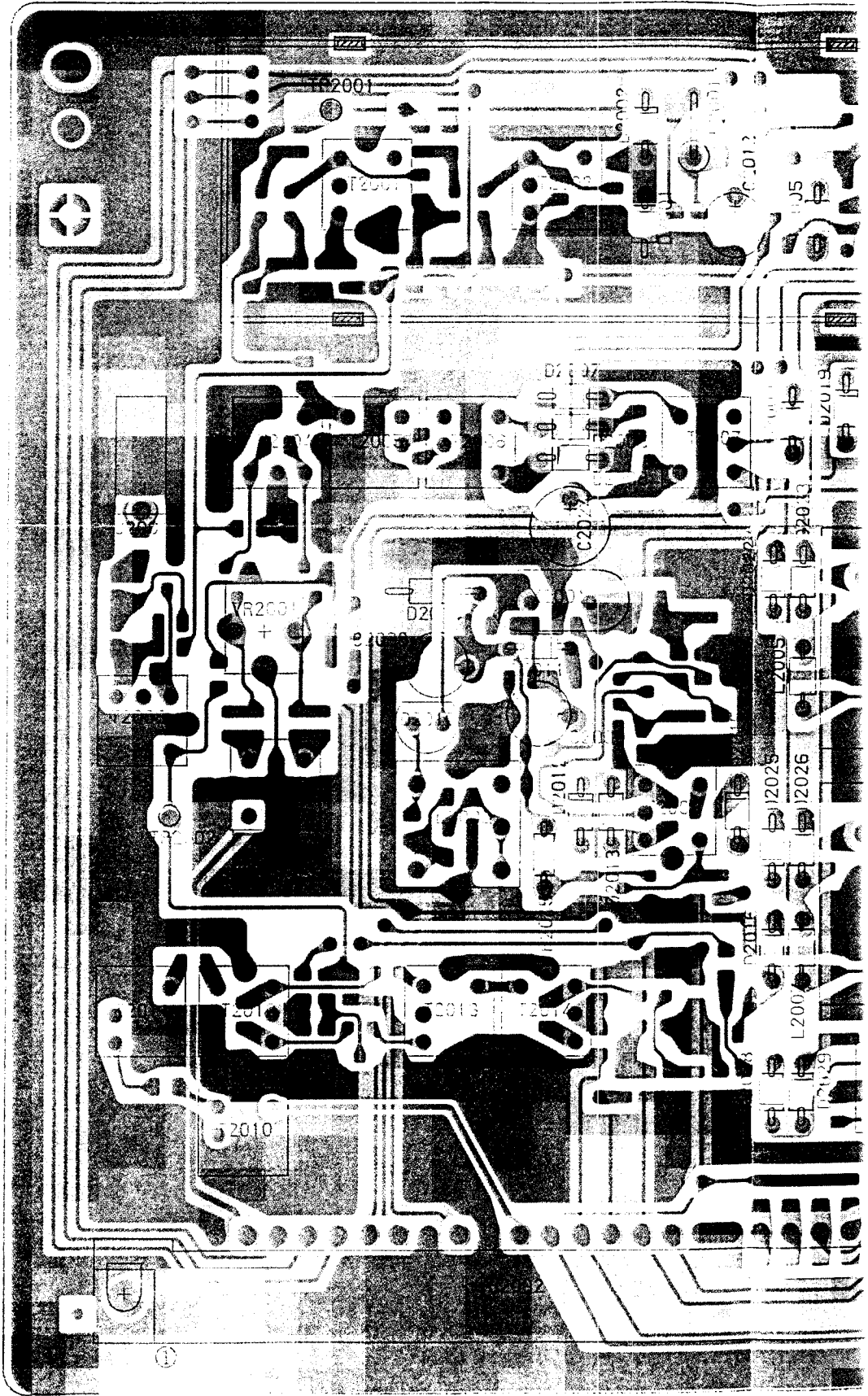
For Service Manuals Contact  
MAURITRON TECHNICAL SERVICES  
8 Cherry Tree Rd, Chinnor  
Oxon OX9 4QY  
Tel:- 01844-351694 Fax:- 01844-352554  
Email:- enquiries@mauritron.co.uk

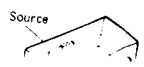
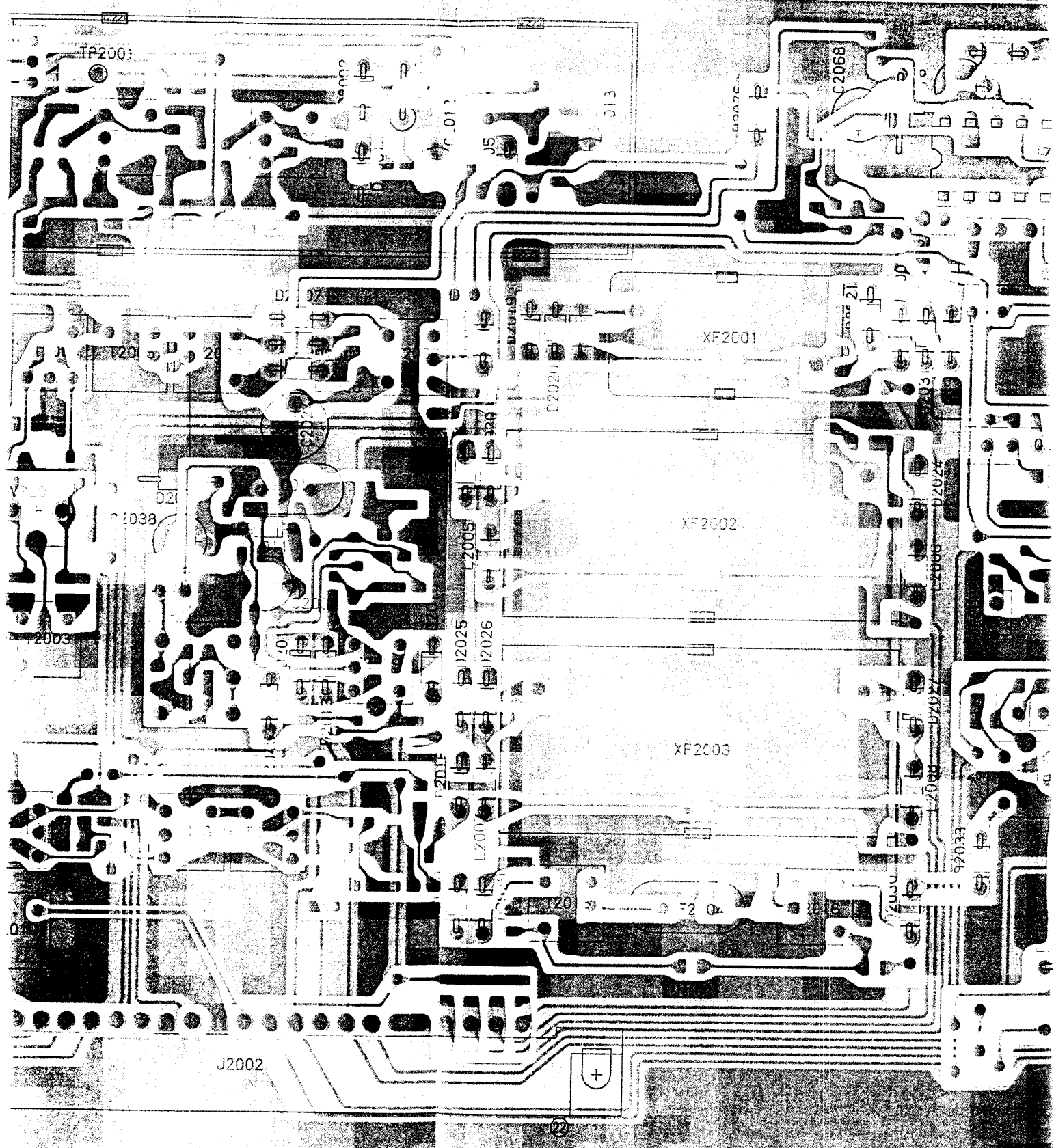
# RF Unit

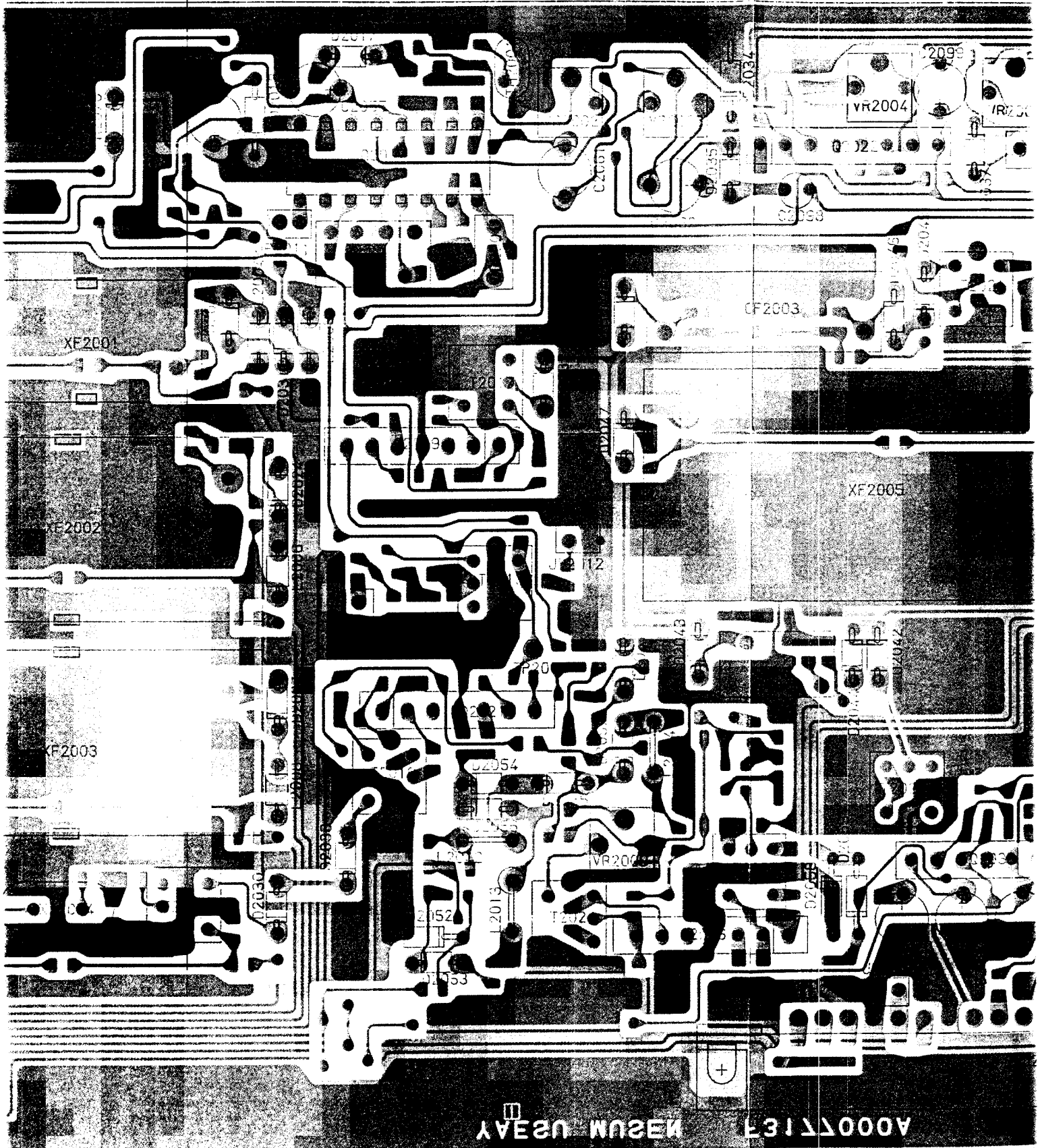
REF.	YAESU P/N	DESCRIPTION	MFR'S DESIG	VALUE	WV	TOL.	VERS.
	R0131630	SHIELD CASE					
	R0136980	SHIELD CASE					
	R0136990	SHIELD COVER					
	R0136960	FITTING R					
	R0136970	FITTING L					
	R0139800	REAR SHIELD					
	R3129530	XTAL HOLDER(2 pcs)					



For Service Manuals Contact  
MAURITRON TECHNICAL SERVICES  
8 Cherry Tree Rd. Chinnor  
Oxon OX9 4QY  
Tel:- 01844-351694 Fax:- 01844-352554  
Email:- enquiries@mauritron.co.uk



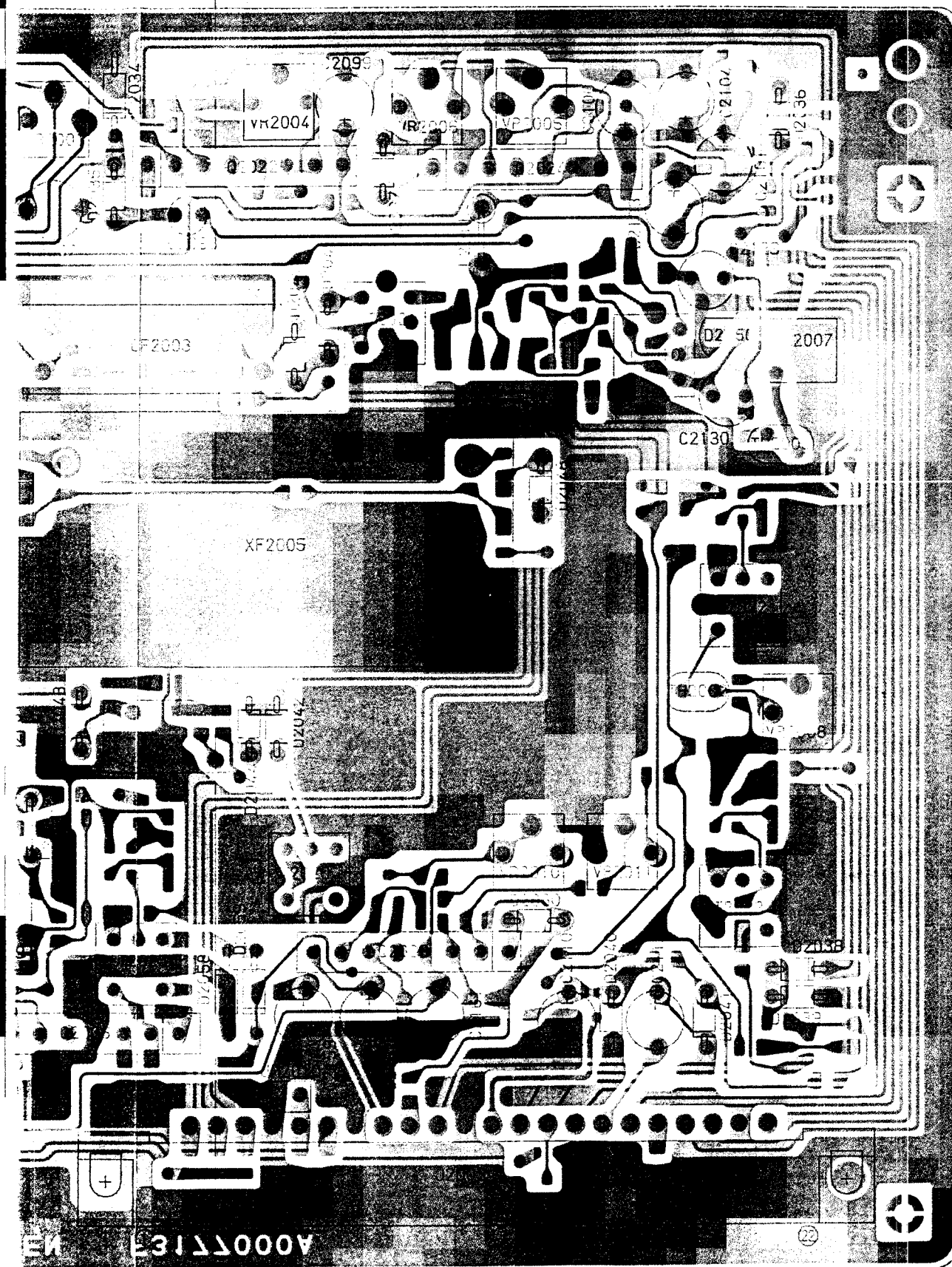




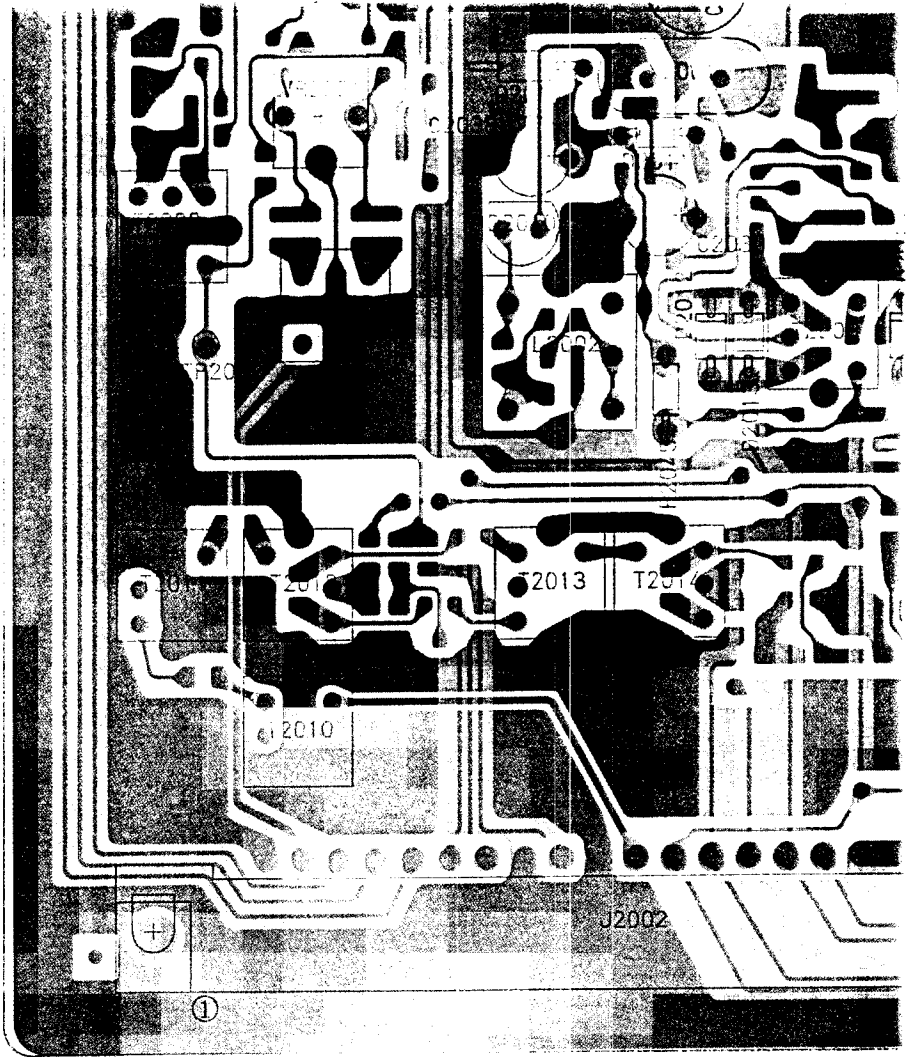
MESUM USAY A0007137



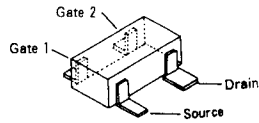
PIN 16



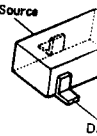
(“component” side)



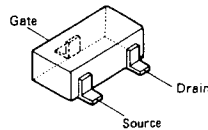
For Service Manuals Contact  
**MAURITRON TECHNICAL SERVICES**  
 8 Cherry Tree Rd, Chinnor  
 Oxon OX9 4QY  
 Tel:- 01844-351694 Fax:- 01844-352554  
 Email:- enquiries@mauritron.co.uk



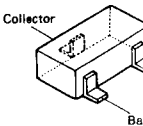
3SK131(V12)  
 (Q2001, 2002, 2032,  
 2033, 2037)  
 3SK179(V02)  
 (Q2013)



2SK210GF  
 (Q2034)  
 2SK302GF  
 (Q2005, 2  
 2012, 201

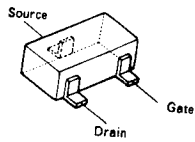
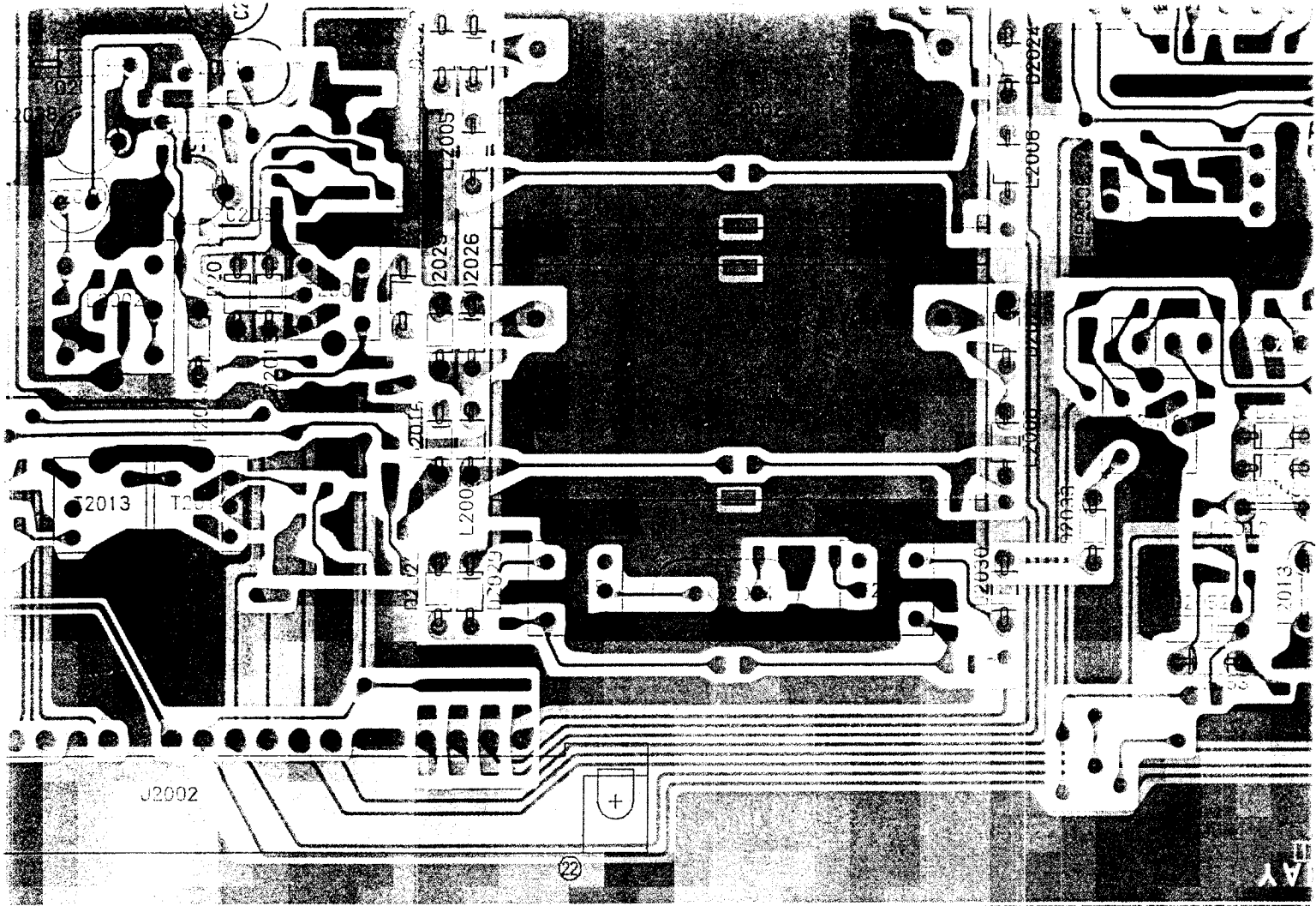


2SK160(K6)  
 (Q2023, 2038)

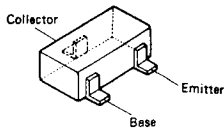


2SA1162GR (Q2035)  
 2SC2620(QB Q2007)  
 2SC2712GR (Q2003, 2004, 2009, 2020, 2027, 2029, 2031)  
 FA1A4P (L3 Q2010, 2015, 2018, 2026,

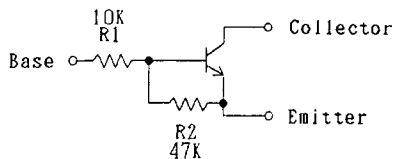




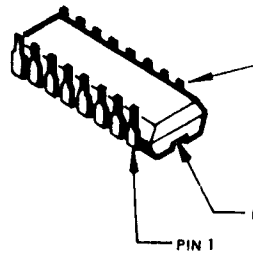
2SK210GR (YG)  
 (Q2034)  
 2SK302GR (TGR)  
 (Q2005, 2006, 2011,  
 2012, 2014)



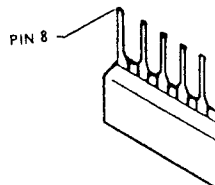
2SA1162GR (SG)  
 (Q2035)  
 2SC2620(QB)  
 (Q2007)  
 2SC2712GR (LG)  
 (Q2003, 2004, 2008,  
 2009, 2020, 2025,  
 2027, 2029, 2030,  
 2031)  
 FA1A4P (L34)  
 (Q2010, 2015, 2016,  
 2018, 2026, 2028)



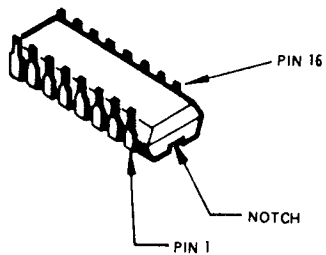
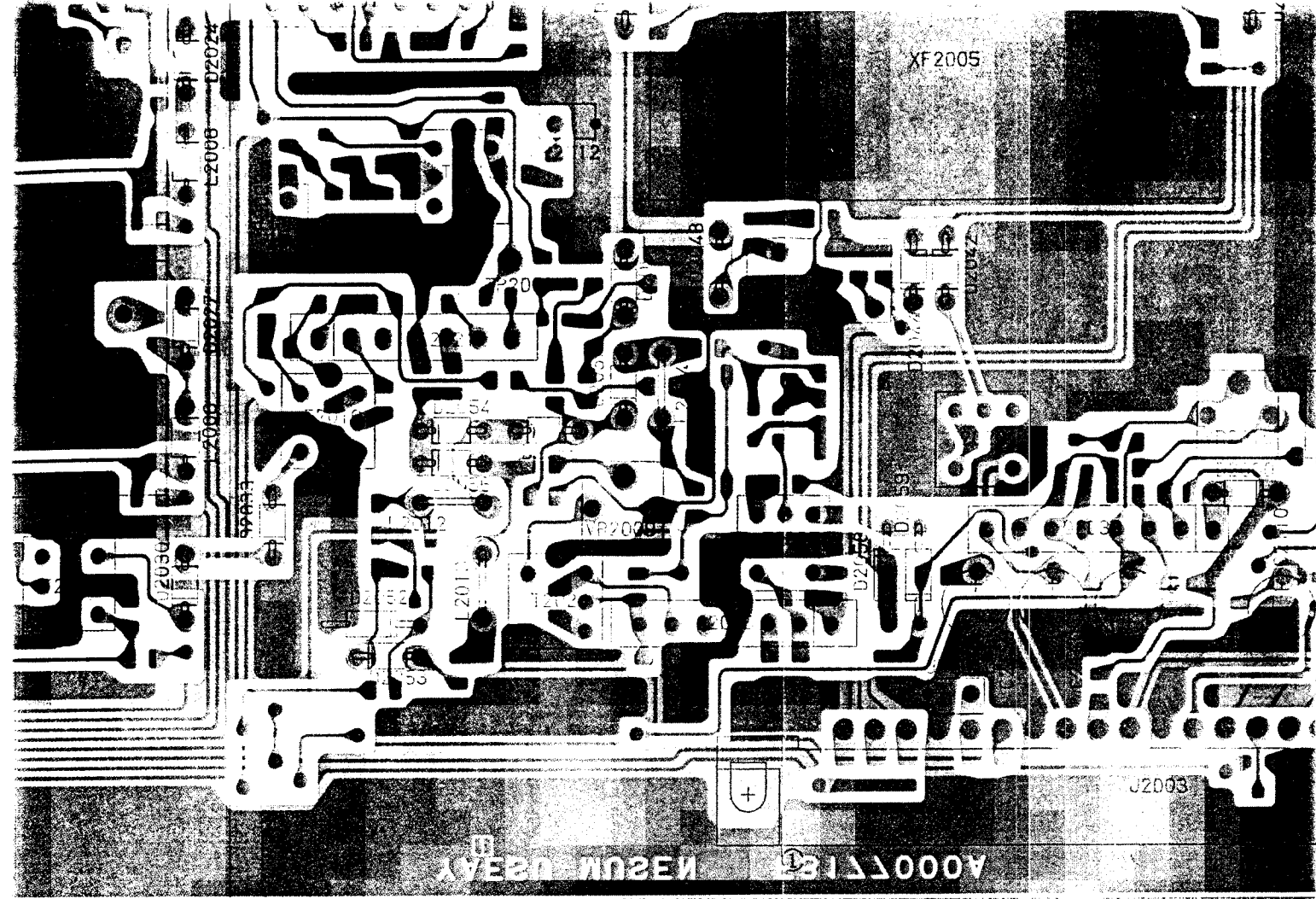
FA1A4P CIRCUIT DIAGRAM



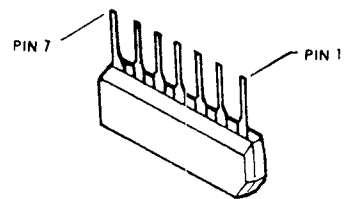
MC3357P  
 (Q2017)



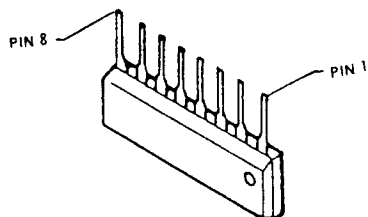
M5218AL  
 (Q2022, 2024, 2039)



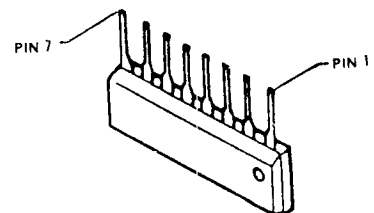
MC3357P  
(Q2017)



TA7302P  
(Q2036)



M5218AL  
(Q2022, 2024, 2039)

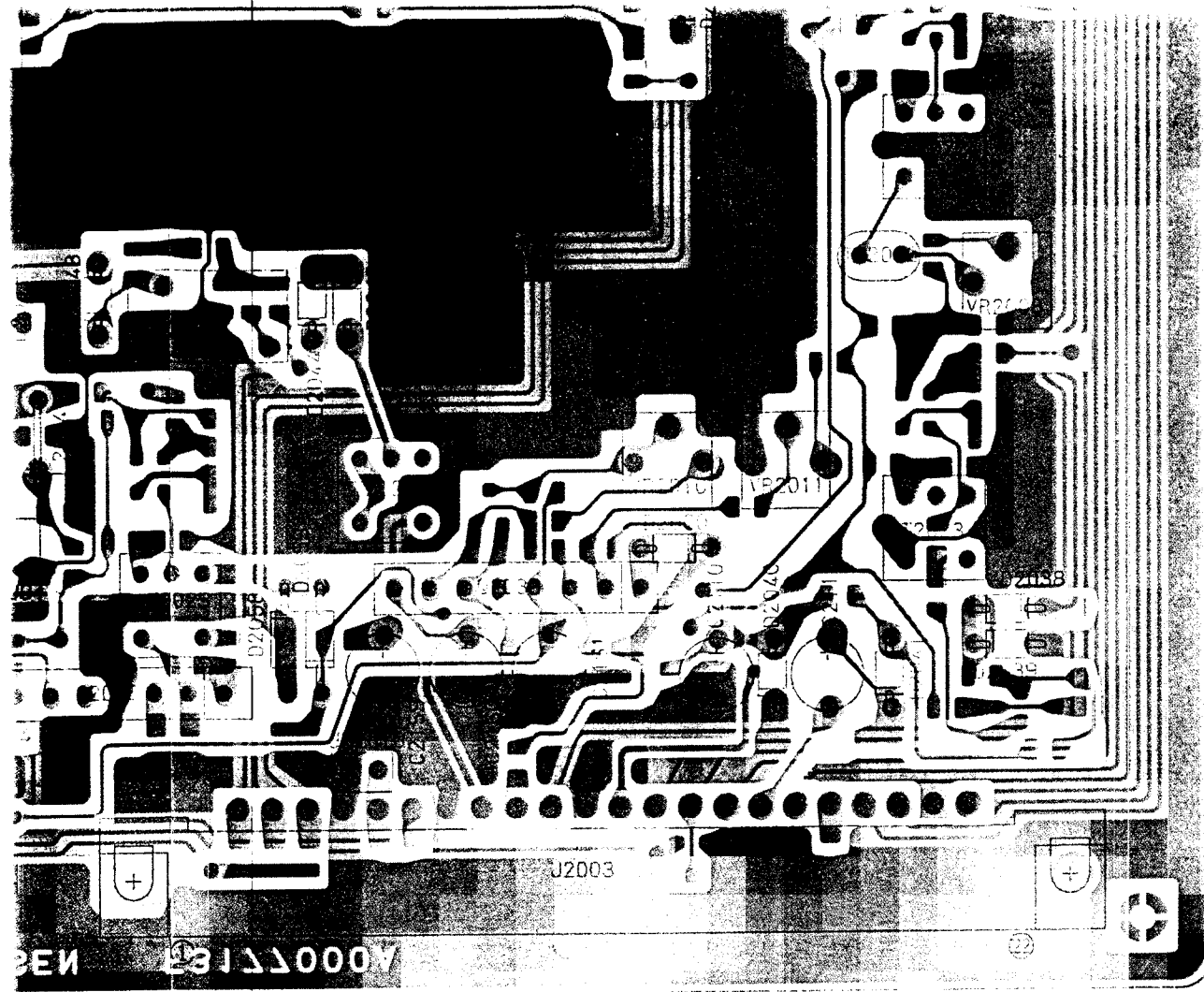


$\mu$ PC1037H  
(Q2019, 2021)

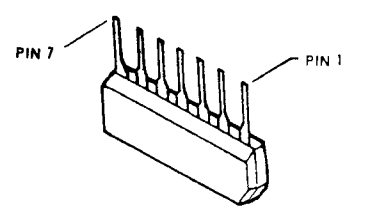
Collector

Emitter

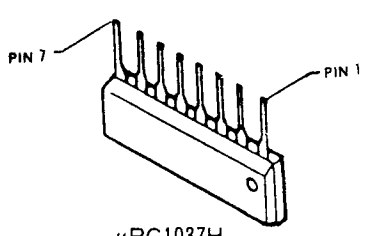
RAM



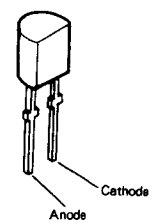
(“component” side)



TA7302P  
(Q2036)



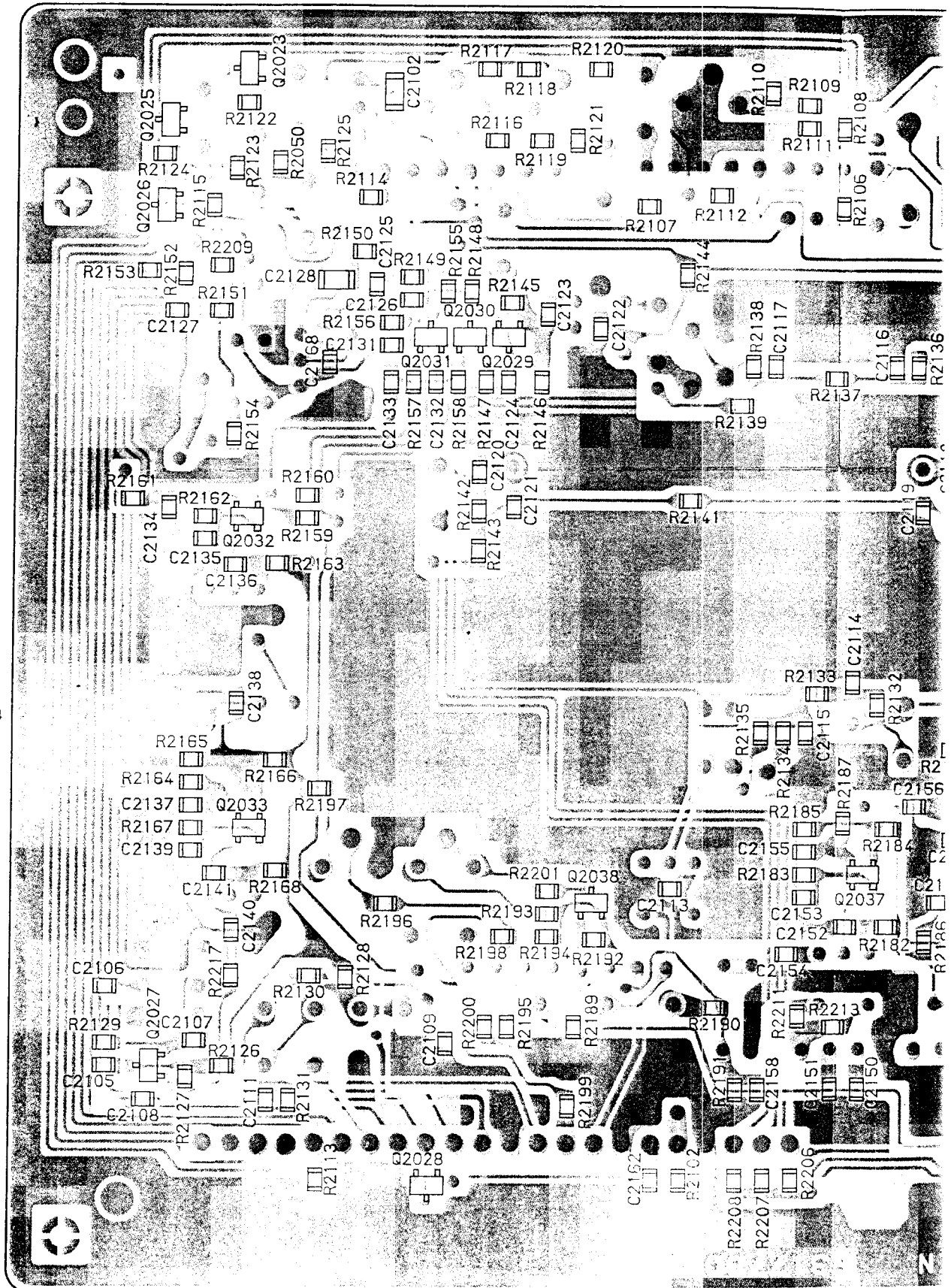
$\mu$ PC1037H  
(Q2019, 2021)



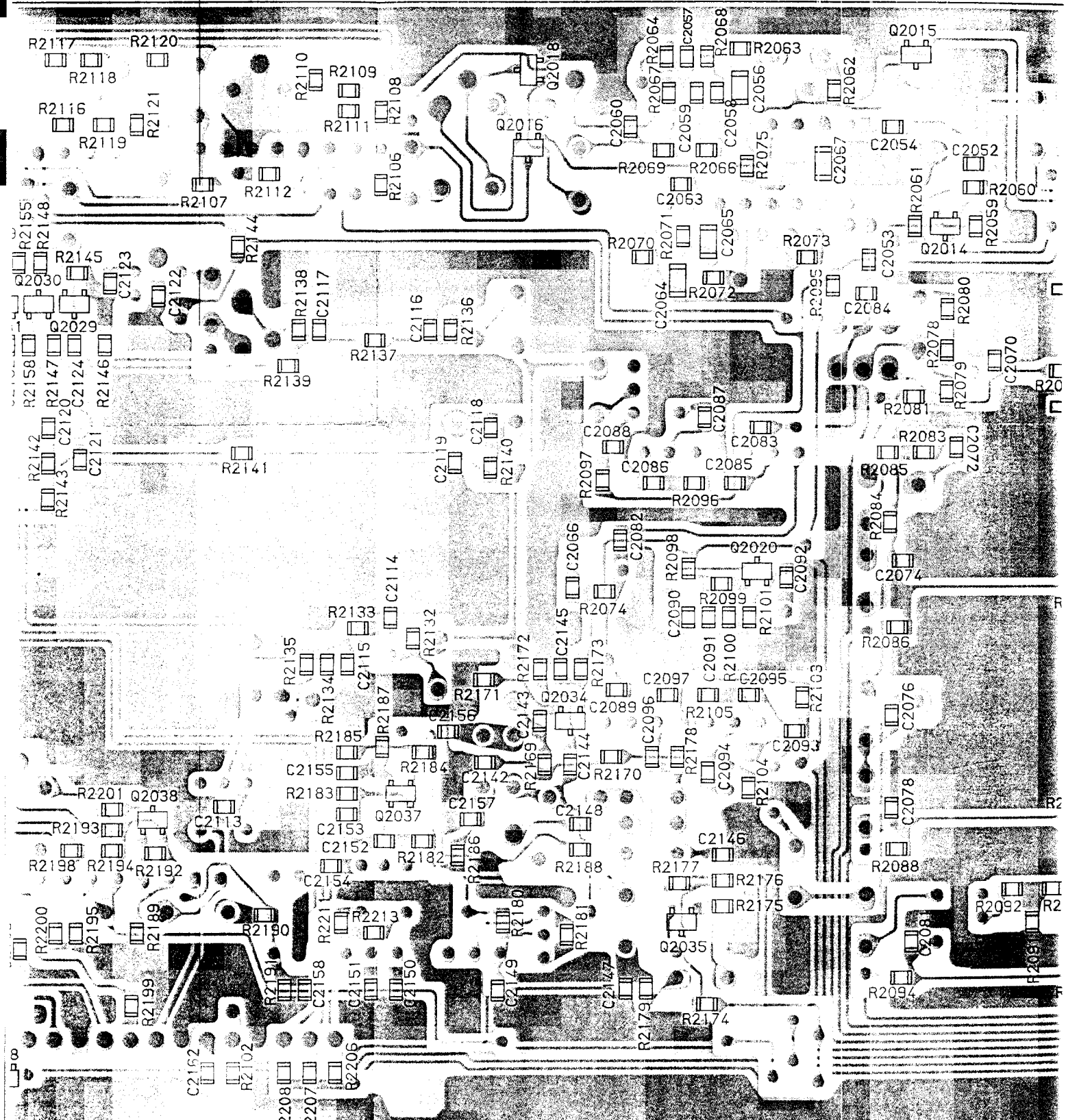
FC-53M-5  
(D2010, 2050)



# IF Unit

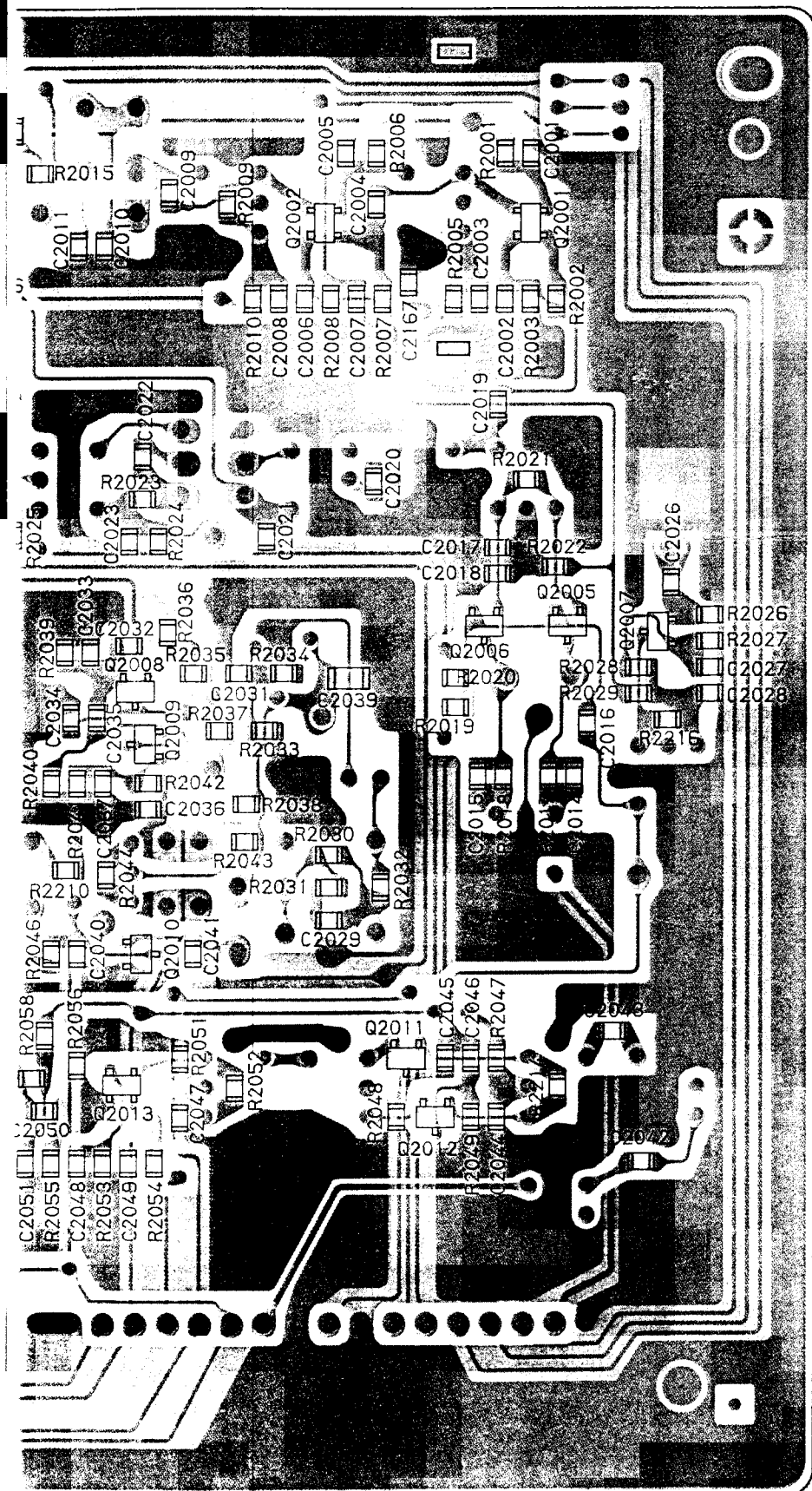


For Service Manuals Contact  
**MAURITRON TECHNICAL SERVICES**  
8 Cherry Tree Rd, Chinnor  
Oxon OX9 4QY  
Tel: 01844-351694 Fax: 01844-352554  
Email: enquiries@mauritron.co.uk



YAESU INC. 1981

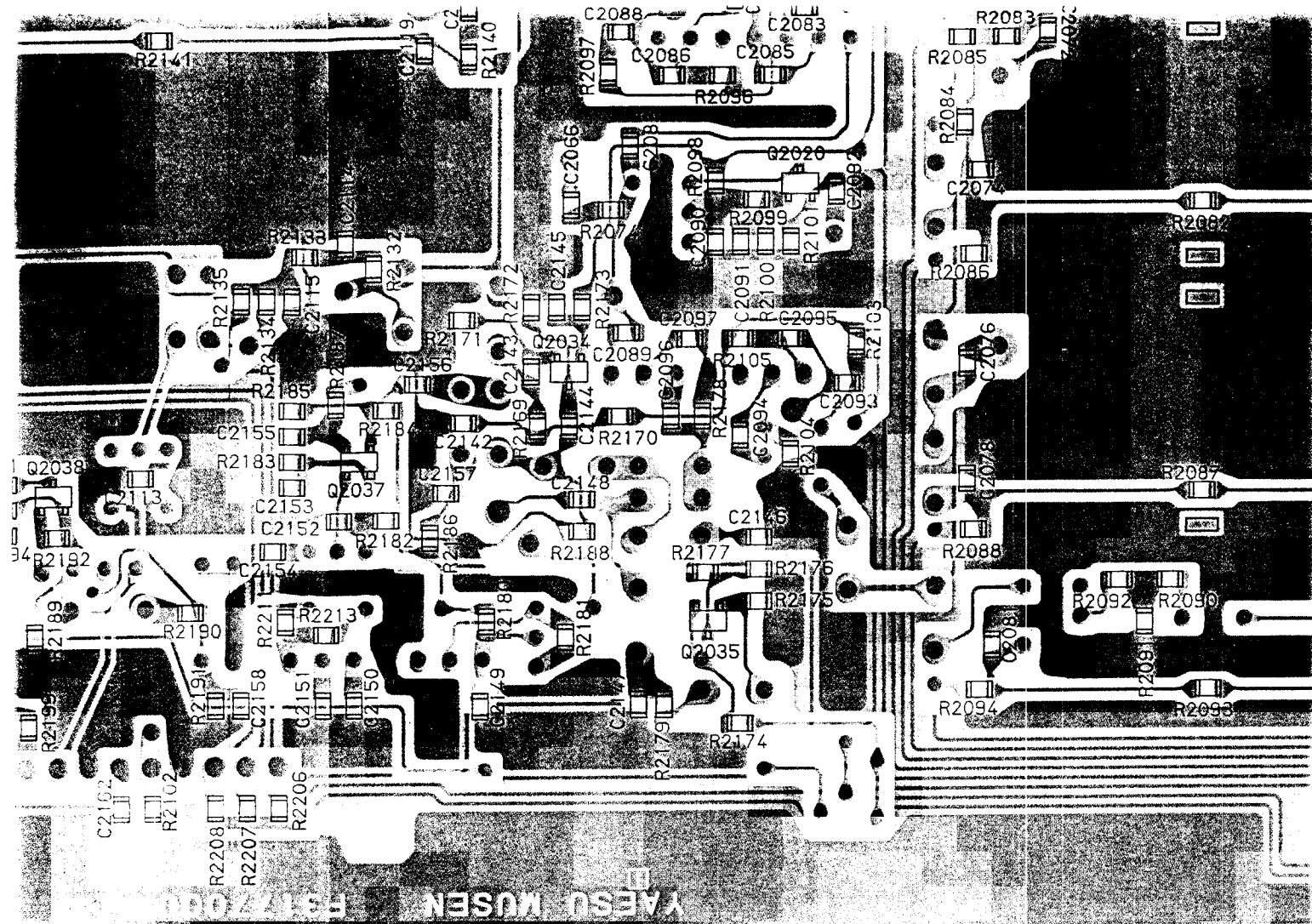




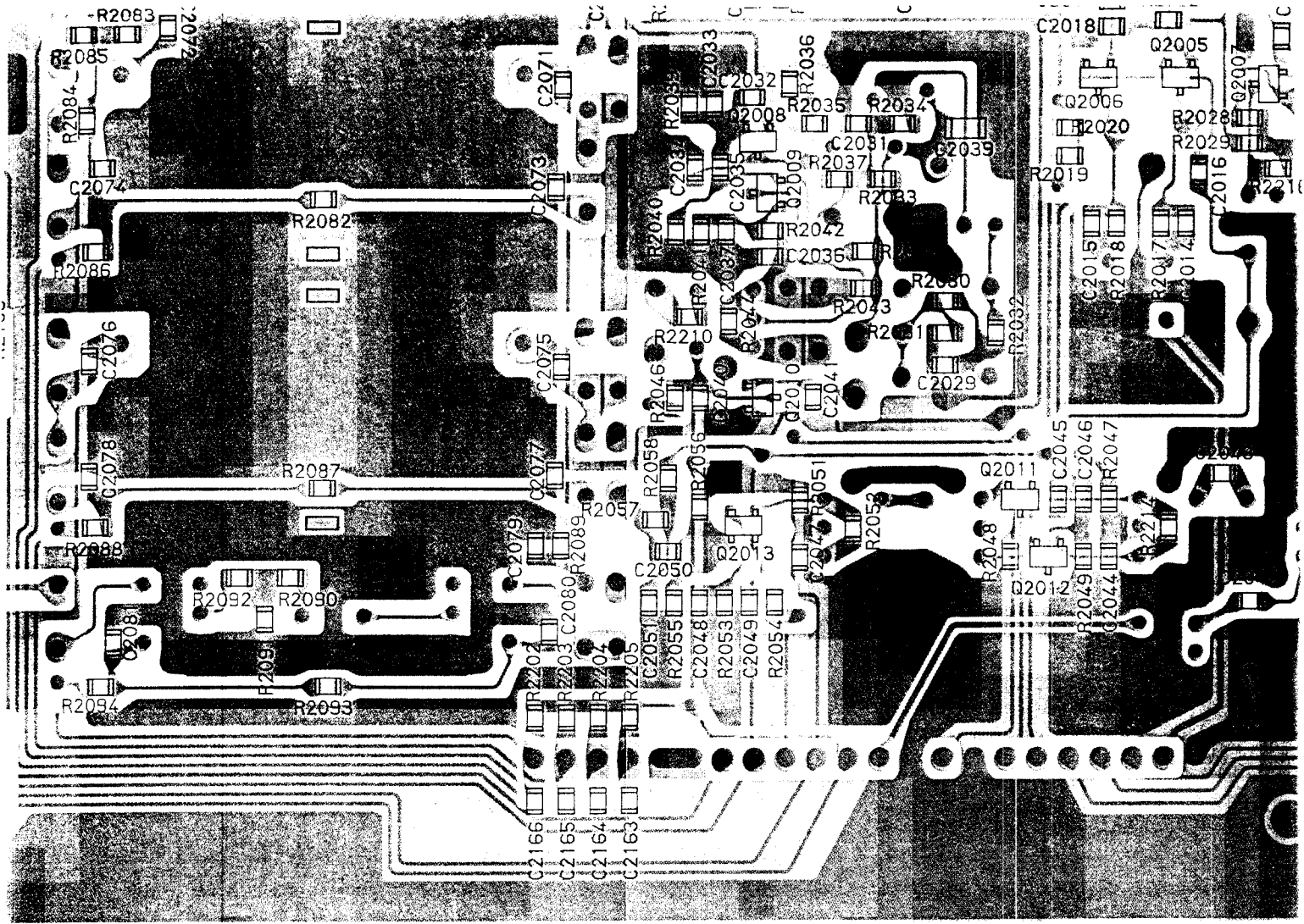
("chip only" side)



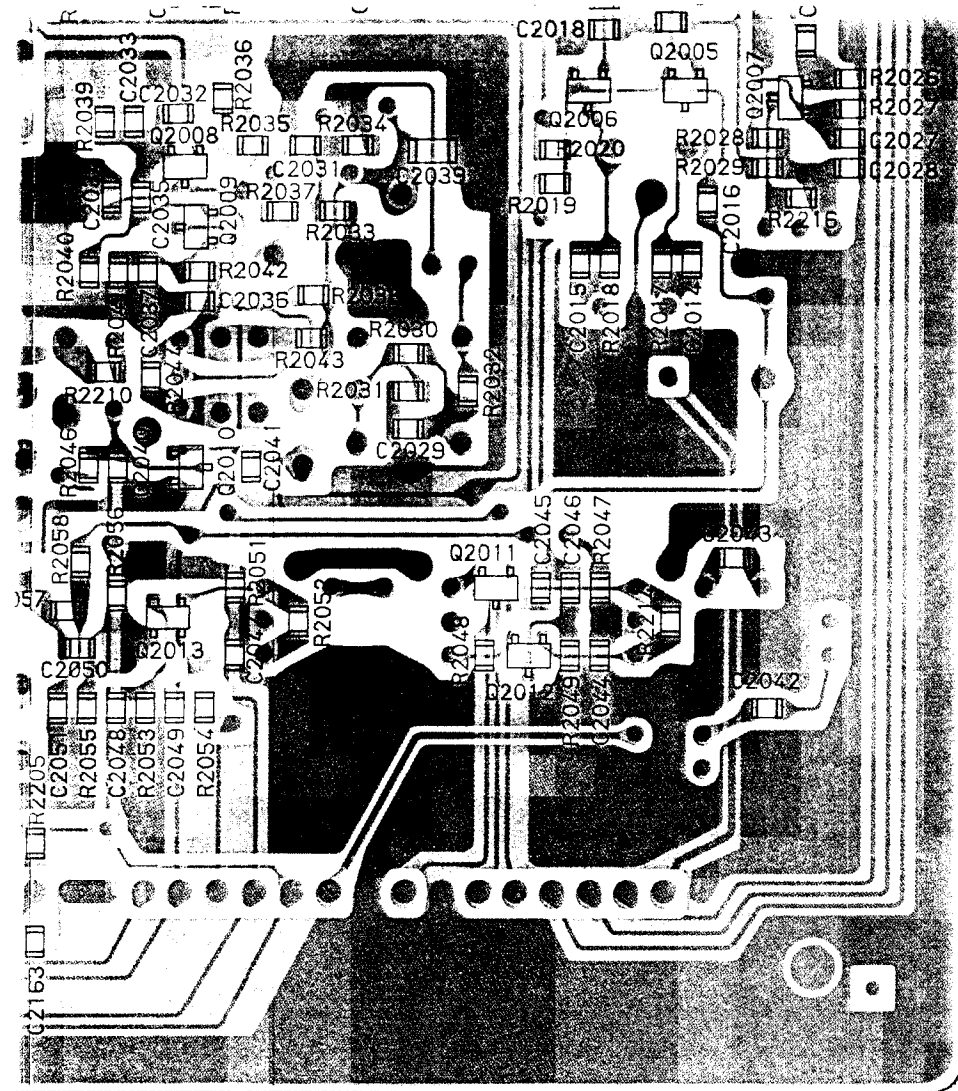




For Service Manuals Contact  
MAURITRON TECHNICAL SERVICES  
8 Cherry Tree Rd, Chinnor  
Oxon OX9 4QY  
Tel: 01844-351694 Fax: 01844-352554  
Email: [enquiries@mauritron.co.uk](mailto:enquiries@mauritron.co.uk)



("chip o



("chip only" side)



REF.	YAESU P/N	DESCRIPTION	MFR'S DESIG	VALUE	WV	TOL.	VERS.
		*** IF UNIT ***					
	CA0228001	P. C. B. W COMP. (W CW-W FILTER)					
	CA0228002	P. C. B. W COMP. (W SSB-N, CW-W, CW-N FILTER)					
	CA0228003	P. C. B. W COMP.					
	F3177000A	P. C. B. W/O COMP.					
							For Service Manuals Contact MAURITRON TECHNICAL SERVICES 8 Cherry Tree Rd, Chinnor Oxon OX9 4QY Tel:- 01844-351694 Fax:- 01844-352554 Email:- enquiries@mauritron.co.uk
C 2001	K22170817	CHIP CAP.	GRM40B103M50PT	0.01uF	50V	B	
C 2002	K22170817	CHIP CAP.	GRM40B103M50PT	0.01uF	50V	B	
C 2003	K22170817	CHIP CAP.	GRM40B103M50PT	0.01uF	50V	B	
C 2004	K22170211	CHIP CAP.	GRM40CH100D50PT	10pF	50V	CH	
C 2005	K22170817	CHIP CAP.	GRM40B103M50PT	0.01uF	50V	B	
C 2006	K22170817	CHIP CAP.	GRM40B103M50PT	0.01uF	50V	B	
C 2007	K22170817	CHIP CAP.	GRM40B103M50PT	0.01uF	50V	B	
C 2008	K22170817	CHIP CAP.	GRM40B103M50PT	0.01uF	50V	B	
C 2009	K22170219	CHIP CAP.	GRM40CH220J50PT	22pF	50V	CH	
C 2010	K22170243	CHIP CAP.	GRM40CH221J50PT	220pF	50V	CH	
C 2011	K22170243	CHIP CAP.	GRM40CH221J50PT	220pF	50V	CH	
C 2012	K46170021	AL. ELECTRO. CAP.	50V100M5X11TR5	10uF	50V		
C 2013	K46170021	AL. ELECTRO. CAP.	50V100M5X11TR5	10uF	50V		
C 2014	K22170805	CHIP CAP.	GRM40B102M50PT	0.001uF	50V	B	
C 2015	K22170805	CHIP CAP.	GRM40B102M50PT	0.001uF	50V	B	
C 2016	K22170805	CHIP CAP.	GRM40B102M50PT	0.001uF	50V	B	
C 2017	K22170805	CHIP CAP.	GRM40B102M50PT	0.001uF	50V	B	
C 2018	K22170817	CHIP CAP.	GRM40B103M50PT	0.01uF	50V	B	
C 2019	K22170235	CHIP CAP.	GRM40CH101J50PT	100pF	50V	CH	
C 2020	K22170211	CHIP CAP.	GRM40CH100D50PT	10pF	50V	CH	
C 2021	K22170817	CHIP CAP.	GRM40B103M50PT	0.01uF	50V	B	
C 2022	K22170817	CHIP CAP.	GRM40B103M50PT	0.01uF	50V	B	
C 2023	K22170817	CHIP CAP.	GRM40B103M50PT	0.01uF	50V	B	
C 2024	K46170024	AL. ELECTRO. CAP.	50V470M6X11TR5	47uF	50V		
C 2025	K22170817	CHIP CAP.	GRM40B103M50PT	0.01uF	50V	B	
C 2026	K22170243	CHIP CAP.	GRM40CH221J50PT	220pF	50V	CH	
C 2027	K22170805	CHIP CAP.	GRM40B102M50PT	0.001uF	50V	B	
C 2028	K22170805	CHIP CAP.	GRM40B102M50PT	0.001uF	50V	B	
C 2029	K22170805	CHIP CAP.	GRM40B102M50PT	0.001uF	50V	B	
C 2030	K46170021	AL. ELECTRO. CAP.	50V100M5X11TR5	10uF	50V		
C 2031	K22170817	CHIP CAP.	GRM40B103M50PT	0.01uF	50V	B	
C 2032	K22170243	CHIP CAP.	GRM40CH221J50PT	220pF	50V	CH	
C 2033	K22170235	CHIP CAP.	GRM40CH101J50PT	100pF	50V	CH	
C 2034	K22170817	CHIP CAP.	GRM40B103M50PT	0.01uF	50V	B	
C 2035	K22170211	CHIP CAP.	GRM40CH100D50PT	10pF	50V	CH	
C 2036	K22170817	CHIP CAP.	GRM40B103M50PT	0.01uF	50V	B	
C 2037	K22170817	CHIP CAP.	GRM40B103M50PT	0.01uF	50V	B	
C 2038	K46170021	AL. ELECTRO. CAP.	50V100M5X11TR5	10uF	50V		
C 2039	K22141809	CHIP CAP.	GRM42-6B104M25PT	0.1uF	25V	B	
C 2040	K22170817	CHIP CAP.	GRM40B103M50PT	0.01uF	50V	B	
C 2041	K22170817	CHIP CAP.	GRM40B103M50PT	0.01uF	50V	B	
C 2042	K22170202	CHIP CAP.	GRM40CK010C50PT	1pF	50V	CK	
C 2043	K22170227	CHIP CAP.	GRM40CH470J50PT	47pF	50V	CH	
C 2044	K22170817	CHIP CAP.	GRM40B103M50PT	0.01uF	50V	B	
C 2045	K22170817	CHIP CAP.	GRM40B103M50PT	0.01uF	50V	B	
C 2046	K22170817	CHIP CAP.	GRM40B103M50PT	0.01uF	50V	B	
C 2047	K22170817	CHIP CAP.	GRM40B103M50PT	0.01uF	50V	B	

# IF UNIT

REF.	YAESU P/N	DESCRIPTION	MFGR'S DESIG	VALUE	WV	TOL.	VERS.
C 2048	K22170817	CHIP CAP.	GRM40B103M50PT	0.01uF	50V	B	
C 2049	K22170817	CHIP CAP.	GRM40B103M50PT	0.01uF	50V	B	
C 2050	K22170817	CHIP CAP.	GRM40B103M50PT	0.01uF	50V	B	
C 2051	K22170817	CHIP CAP.	GRM40B103M50PT	0.01uF	50V	B	
C 2052	K22170817	CHIP CAP.	GRM40B103M50PT	0.01uF	50V	B	
C 2053	K22170235	CHIP CAP.	GRM40CH101J50PT	100pF	50V	CH	
C 2054	K22170817	CHIP CAP.	GRM40B103M50PT	0.01uF	50V	B	
C 2055	K46170018	AL. ELECTRO. CAP.	50V2R2M5X11TR5	2.2uF	50V		
C 2056	K22141809	CHIP CAP.	GRM42-6B104M25PT	0.1uF	25V	B	
C 2057	K22170817	CHIP CAP.	GRM40B103M50PT	0.01uF	50V	B	
C 2058	K22170805	CHIP CAP.	GRM40B102M50PT	0.001uF	50V	B	
C 2059	K22170805	CHIP CAP.	GRM40B102M50PT	0.001uF	50V	B	
C 2060	K22170817	CHIP CAP.	GRM40B103M50PT	0.01uF	50V	B	
C 2061	K46170017	AL. ELECTRO. CAP.	50V010M5X11TR5	1uF	50V		
C 2062	K46170017	AL. ELECTRO. CAP.	50V010M5X11TR5	1uF	50V		
C 2063	K22170237	CHIP CAP.	GRM40CH121J50PT	120pF	50V	CH	
C 2064	K22141809	CHIP CAP.	GRM42-6B104M25PT	0.1uF	25V	B	
C 2065	K22141809	CHIP CAP.	GRM42-6B104M25PT	0.1uF	25V	B	
C 2066	K22170235	CHIP CAP.	GRM40CH101J50PT	100pF	50V	CH	
C 2067	K22141809	CHIP CAP.	GRM42-6B104M25PT	0.1uF	25V	B	
C 2068	K46170021	AL. ELECTRO. CAP.	50V100M5X11TR5	10uF	50V		
C 2069	K22170817	CHIP CAP.	GRM40B103M50PT	0.01uF	50V	B	
C 2070	K22170817	CHIP CAP.	GRM40B103M50PT	0.01uF	50V	B	
C 2071	K22170817	CHIP CAP.	GRM40B103M50PT	0.01uF	50V	B	
C 2072	K22170817	CHIP CAP.	GRM40B103M50PT	0.01uF	50V	B	
C 2073	K22170817	CHIP CAP.	GRM40B103M50PT	0.01uF	50V	B	
C 2074	K22170817	CHIP CAP.	GRM40B103M50PT	0.01uF	50V	B	
C 2075	K22170817	CHIP CAP.	GRM40B103M50PT	0.01uF	50V	B	
C 2076	K22170817	CHIP CAP.	GRM40B103M50PT	0.01uF	50V	B	
C 2077	K22170817	CHIP CAP.	GRM40B103M50PT	0.01uF	50V	B	
C 2078	K22170817	CHIP CAP.	GRM40B103M50PT	0.01uF	50V	B	
C 2079	K22170817	CHIP CAP.	GRM40B103M50PT	0.01uF	50V	B	
C 2080	K22170817	CHIP CAP.	GRM40B103M50PT	0.01uF	50V	B	
C 2081	K22170817	CHIP CAP.	GRM40B103M50PT	0.01uF	50V	B	
C 2082	K22170817	CHIP CAP.	GRM40B103M50PT	0.01uF	50V	B	
C 2083	K22170817	CHIP CAP.	GRM40B103M50PT	0.01uF	50V	B	
C 2084	K22170817	CHIP CAP.	GRM40B103M50PT	0.01uF	50V	B	
C 2085	K22171008	CHIP CAP.	GRM40F473Z50PT	0.047uF	50V	F	
C 2086	K22171008	CHIP CAP.	GRM40F473Z50PT	0.047uF	50V	F	
C 2087	K22171008	CHIP CAP.	GRM40F473Z50PT	0.047uF	50V	F	
C 2088	K22171008	CHIP CAP.	GRM40F473Z50PT	0.047uF	50V	F	
C 2089	K22170817	CHIP CAP.	GRM40B103M50PT	0.01uF	50V	B	
C 2090	K22170817	CHIP CAP.	GRM40B103M50PT	0.01uF	50V	B	
C 2091	K22170817	CHIP CAP.	GRM40B103M50PT	0.01uF	50V	B	
C 2092	K22170219	CHIP CAP.	GRM40CH220J50PT	22pF	50V	CH	
C 2093	K22170817	CHIP CAP.	GRM40B103M50PT	0.01uF	50V	B	
C 2094	K22170817	CHIP CAP.	GRM40B103M50PT	0.01uF	50V	B	
C 2095	K22171008	CHIP CAP.	GRM40F473Z50PT	0.047uF	50V	F	
C 2096	K22170817	CHIP CAP.	GRM40B103M50PT	0.01uF	50V	B	
C 2097	K22171008	CHIP CAP.	GRM40F473Z50PT	0.047uF	50V	F	
C 2098	K70147155	TANTALUM CAP.	DN1E1R5M1S	1.5	25V		
C 2099	K46170021	AL. ELECTRO. CAP.	50V100M5X11TR5	10uF	50V		
C 2100	K46170021	AL. ELECTRO. CAP.	50V100M5X11TR5	10uF	50V		
C 2101	K46170017	AL. ELECTRO. CAP.	50V010M5X11TR5	1uF	50V		
C 2102	K22141809	CHIP CAP.	GRM42-6B104M25PT	0.1uF	25V	B	

For Service Manuals Contact  
**MAURITRON TECHNICAL SERVICES**  
 8 Cherry Tree Rd, Chinnor  
 Oxon OX9 4QY  
 Tel:- 01844-351694 Fax:- 01844-352554  
 Email:- enquiries@maurtron.co.uk

REF.	YAESU P/N	DESCRIPTION	MFGR'S DESIG	VALUE	WV	TOL.	VERS.
C 2103	K46170014	AL. ELECTRO. CAP.	50VR22M5X11TR5	0.22uF	50V		
C 2104	K46170021	AL. ELECTRO. CAP.	50V100M5X11TR5	10uF	50V		
C 2105	K22171008	CHIP CAP.	GRM40F473Z50PT	0.047uF	50V	F	
C 2106	K22170243	CHIP CAP.	GRM40CH221J50PT	220pF	50V	CH	
C 2107	K22170235	CHIP CAP.	GRM40CH101J50PT	100pF	50V	CH	
C 2108	K22170805	CHIP CAP.	GRM40B102M50PT	0.001uF	50V	B	
C 2109	K22171008	CHIP CAP.	GRM40F473Z50PT	0.047uF	50V	F	
C 2110	K46170021	AL. ELECTRO. CAP.	50V100M5X11TR5	10uF	50V		
C 2111	K22170805	CHIP CAP.	GRM40B102M50PT	0.001uF	50V	B	
C 2112	K46170017	AL. ELECTRO. CAP.	50V010M5X11TR5	1uF	50V		
C 2113	K22171008	CHIP CAP.	GRM40F473Z50PT	0.047uF	50V	F	
C 2114	K22171008	CHIP CAP.	GRM40F473Z50PT	0.047uF	50V	F	
C 2115	K22171008	CHIP CAP.	GRM40F473Z50PT	0.047uF	50V	F	
C 2116	K22171008	CHIP CAP.	GRM40F473Z50PT	0.047uF	50V	F	
C 2117	K22171008	CHIP CAP.	GRM40F473Z50PT	0.047uF	50V	F	
C 2118	K22170817	CHIP CAP.	GRM40B103M50PT	0.01uF	50V	B	
C 2119	K22171008	CHIP CAP.	GRM40F473Z50PT	0.047uF	50V	F	
C 2120	K22170817	CHIP CAP.	GRM40B103M50PT	0.01uF	50V	B	
C 2121	K22171008	CHIP CAP.	GRM40F473Z50PT	0.047uF	50V	F	
C 2122	K22171008	CHIP CAP.	GRM40F473Z50PT	0.047uF	50V	F	
C 2123	K22170805	CHIP CAP.	GRM40B102M50PT	0.001uF	50V	B	
C 2124	K22171008	CHIP CAP.	GRM40F473Z50PT	0.047uF	50V	F	
C 2125	K22171008	CHIP CAP.	GRM40F473Z50PT	0.047uF	50V	F	
C 2126	K22170805	CHIP CAP.	GRM40B102M50PT	0.001uF	50V	B	
C 2127	K22171008	CHIP CAP.	GRM40F473Z50PT	0.047uF	50V	F	
C 2128	K22141809	CHIP CAP.	GRM42-6B104M25PT	0.1uF	25V	B	
C 2129	K51176102	STYROL CAP.	50S2U102K	0.001	50V		
C 2130	K51176102	STYROL CAP.	50S2U102K	0.001	50V		
C 2131	K22170817	CHIP CAP.	GRM40B103M50PT	0.01uF	50V	B	
C 2132	K22171008	CHIP CAP.	GRM40F473Z50PT	0.047uF	50V	F	
C 2133	K22170817	CHIP CAP.	GRM40B103M50PT	0.01uF	50V	B	
C 2134	K22171008	CHIP CAP.	GRM40F473Z50PT	0.047uF	50V	F	
C 2135	K22171008	CHIP CAP.	GRM40F473Z50PT	0.047uF	50V	F	
C 2136	K22171008	CHIP CAP.	GRM40F473Z50PT	0.047uF	50V	F	
C 2137	K22171008	CHIP CAP.	GRM40F473Z50PT	0.047uF	50V	F	
C 2138	K22170817	CHIP CAP.	GRM40B103M50PT	0.01uF	50V	B	
C 2139	K22171008	CHIP CAP.	GRM40F473Z50PT	0.047uF	50V	F	
C 2140	K22170235	CHIP CAP.	GRM40CH101J50PT	100pF	50V	CH	
C 2141	K22171008	CHIP CAP.	GRM40F473Z50PT	0.047uF	50V	F	
C 2142	K22171008	CHIP CAP.	GRM40F473Z50PT	0.047uF	50V	F	
C 2143	K22170817	CHIP CAP.	GRM40B103M50PT	0.01uF	50V	B	
C 2144	K22170817	CHIP CAP.	GRM40B103M50PT	0.01uF	50V	B	
C 2145	K22171008	CHIP CAP.	GRM40F473Z50PT	0.047uF	50V	F	
C 2146	K22171008	CHIP CAP.	GRM40F473Z50PT	0.047uF	50V	F	
C 2147	K22171008	CHIP CAP.	GRM40F473Z50PT	0.047uF	50V	F	
C 2148	K22170817	CHIP CAP.	GRM40B103M50PT	0.01uF	50V	B	
C 2149	K22171008	CHIP CAP.	GRM40F473Z50PT	0.047uF	50V	F	
C 2150	K22171008	CHIP CAP.	GRM40F473Z50PT	0.047uF	50V	F	
C 2151	K22171008	CHIP CAP.	GRM40F473Z50PT	0.047uF	50V	F	
C 2152	K22171008	CHIP CAP.	GRM40F473Z50PT	0.047uF	50V	F	
C 2153	K22171008	CHIP CAP.	GRM40F473Z50PT	0.047uF	50V	F	
C 2154	K22170235	CHIP CAP.	GRM40CH101J50PT	100pF	50V	CH	
C 2155	K22171008	CHIP CAP.	GRM40F473Z50PT	0.047uF	50V	F	
C 2156	K22170817	CHIP CAP.	GRM40B103M50PT	0.01uF	50V	B	
C 2157	K22171008	CHIP CAP.	GRM40F473Z50PT	0.047uF	50V	F	

# IF Unit

REF.	YAESU P/N	DESCRIPTION	MFGR'S DESIG	VALUE	WV	TOL.	VERS.
C 2158	K22170817	CHIP CAP.	GRM40B103M50PT	0.01uF	50V	B	
C 2159	K46170016	AL. ELECTRO. CAP.	50VR47M5X11TR5	0.47uF	50V		
C 2160	K46170021	AL. ELECTRO. CAP.	50V100M5X11TR5	10uF	50V		
C 2161	K46170021	AL. ELECTRO. CAP.	50V100M5X11TR5	10uF	50V		
C 2162	K22171008	CHIP CAP.	GRM40F473Z50PT	0.047uF	50V	F	
C 2163	K22171008	CHIP CAP.	GRM40F473Z50PT	0.047uF	50V	F	
C 2164	K22171008	CHIP CAP.	GRM40F473Z50PT	0.047uF	50V	F	
C 2165	K22171008	CHIP CAP.	GRM40F473Z50PT	0.047uF	50V	F	
C 2166	K22171008	CHIP CAP.	GRM40F473Z50PT	0.047uF	50V	F	
C 2167	K22170817	CHIP CAP.	GRM40B103M50PT	0.01uF	50V	B	
C 2168	K22170307	CHIP CAP.	GRM40UJ060D50PT	6pF	50V	UJ	
CD2001	H7900180	CERAMIC DISC	CDB455C7				
CF2001	H3900387	CERAMIC FILTER	LF-H8S				
CF2002	H3900377	CERAMIC FILTER	LF-H6SC				
CF2003	H3900290	CERAMIC FILTER	CFJ-455K13				
D 2001	G2060011	DIODE	1SS198TJ				
D 2002	G2060011	DIODE	1SS198TJ				
D 2005	G2060004	DIODE	1SS270TJ				
D 2006	G2060004	DIODE	1SS270TJ				
D 2007	G2060004	DIODE	1SS270TJ				
D 2008	G2060004	DIODE	1SS270TJ				
D 2009	G2060004	DIODE	1SS270TJ				
D 2010	G2090180	DIODE	FC-53M-5				
D 2011	G9090007	VARISTOR	MV-12 (KB265)				
D 2012	G2060011	DIODE	1SS198TJ				
D 2013	G2060011	DIODE	1SS198TJ				
D 2014	G2090272	DIODE	HZ9A2				
D 2015	G2060004	DIODE	1SS270TJ				
D 2016	G2060004	DIODE	1SS270TJ				
D 2017	G2060004	DIODE	1SS270TJ				
D 2018	G2090384	DIODE	HZ7C2				
D 2019	G2060004	DIODE	1SS270TJ				
D 2020	G2060007	DIODE	1SS205-T1				
D 2021	G2060004	DIODE	1SS270TJ				
D 2022	G2060004	DIODE	1SS270TJ				
D 2023	G2060007	DIODE	1SS205-T1				
D 2024	G2060004	DIODE	1SS270TJ				
D 2025	G2060004	DIODE	1SS270TJ				
D 2026	G2060004	DIODE	1SS270TJ				
D 2027	G2060004	DIODE	1SS270TJ				
D 2028	G2060004	DIODE	1SS270TJ				
D 2029	G2060007	DIODE	1SS205-T1				
D 2030	G2060004	DIODE	1SS270TJ				
D 2031	G2060004	DIODE	1SS270TJ				
D 2032	G2060004	DIODE	1SS270TJ				
D 2033	G2060004	DIODE	1SS270TJ				
D 2034	G2090305	DIODE	HZ5B3				
D 2035	G2060004	DIODE	1SS270TJ				
D 2036	G2060004	DIODE	1SS270TJ				
D 2037	G2060004	DIODE	1SS270TJ				
D 2038	G2060011	DIODE	1SS198TJ				
D 2039	G2060011	DIODE	1SS198TJ				

For Service Manuals Contact  
**MAURITRON TECHNICAL SERVICES**  
 8 Cherry Tree Rd, Chinnor  
 Oxon OX9 4QY  
 Tel: 01844-351694 Fax: 01844-352554  
 Email: enquiries@mauritron.co.uk

REF.	YAESU P/N	DESCRIPTION	MFGR'S DESIG	VALUE	WV	TOL.	VERS.
D 2040	G2060011	DIODE	1SS198TJ				
D 2041	G2060011	DIODE	1SS198TJ				
D 2042	G2060004	DIODE	1SS270TJ				
D 2043	G2060004	DIODE	1SS270TJ				
D 2044	G2060004	DIODE	1SS270TJ				
D 2045	G2060004	DIODE	1SS270TJ				
D 2046	G2060004	DIODE	1SS270TJ				
D 2047	G2060004	DIODE	1SS270TJ				
D 2048	G2060004	DIODE	1SS270TJ				
D 2049	G2060004	DIODE	1SS270TJ				
D 2050	G2090180	DIODE	FC-53M-5				
D 2051	G2060004	DIODE	1SS270TJ				
D 2052	G2090155	DIODE	RD9. 1FB2				
D 2053	G2060004	DIODE	1SS270TJ				
D 2054	G2060004	DIODE	1SS270TJ				
D 2055	G2060004	DIODE	1SS270TJ				
D 2056	G2060004	DIODE	1SS270TJ				
D 2057	G2060004	DIODE	1SS270TJ				
D 2058	G2090118	DIODE	1SS97				
D 2059	G2090118	DIODE	1SS97				
D 2060	G2060004	DIODE	1SS270TJ				
J 2001	P1090255	CONNECTOR	TMP-J01X-A2				
J 2002	P0090741	CONNECTOR	EC1C-22P-2. 5DSA				
J 2003	P0090741	CONNECTOR	EC1C-22P-2. 5DSA				
JP2009	T9206063	WIRE-ASSY					
JP2011	T9206064A	WIRE-ASSY					
L 2001	L1790164	M. RFC	LAL03VB102K	1mH			
L 2002	L0022108	COIL	18. 0U R12-L282X				
L 2003	L1790070	M. RFC	LAP02TA101K	100uH			
L 2004	L1790070	M. RFC	LAP02TA101K	100uH			
L 2005	L1790070	M. RFC	LAP02TA101K	100uH			
L 2006	L1790070	M. RFC	LAP02TA101K	100uH			
L 2007	L1790070	M. RFC	LAP02TA101K	100uH			
L 2008	L1790070	M. RFC	LAP02TA101K	100uH			
L 2009	L1790074	M. RFC	LAP02TA221K	220uH			
L 2010	L0021610	COIL	455K R12-E453A				
L 2011	L1790164	M. RFC	LAL03VB102K	1mH			
L 2012	L1790164	M. RFC	LAL03VB102K	1mH			
L 2013	L1790164	M. RFC	LAL03VB102K	1mH			
L 2014	L1790164	M. RFC	LAL03VB102K	1mH			
Q 2001	G4801317B	FET	3SK131-T2B V12				
Q 2002	G4801317B	FET	3SK131-T2B V12				
Q 2003	G3327127G	TRANSISTOR	2SC2712GR TE85R				
Q 2004	G3327127G	TRANSISTOR	2SC2712GR TE85R				
Q 2005	G3803027G	FET	2SK302GR TE85R				
Q 2006	G3803027G	FET	2SK302GR TE85R				
Q 2007	G3326207B	TRANSISTOR	2SC2620QBTR				
Q 2008	G3327127G	TRANSISTOR	2SC2712GR TE85R				
Q 2009	G3327127G	TRANSISTOR	2SC2712GR TE85R				
Q 2010	G3070006	TRANSISTOR	FA1A4P-T2B				
Q 2011	G3803027G	FET	2SK302GR TE85R				

# IF Unit

REF.	YAESU P/N	DESCRIPTION	MFGR'S DESIG	VALUE	WV	TOL.	VERS.
Q 2012	G3803027G	FET	2SK302GR TE85R				
Q 2013	G4801797L	FET	3SK179-T2 V02				
Q 2014	G3803027G	FET	2SK302GR TE85R				
Q 2015	G3070006	TRANSISTOR	FA1A4P-T2B				
Q 2016	G3070006	TRANSISTOR	FA1A4P-T2B				
Q 2017	G1090145	IC	MC3357P				
Q 2018	G3070006	TRANSISTOR	FA1A4P-T2B				
Q 2019	G1090101	IC	UPC1037H				
Q 2020	G3327127G	TRANSISTOR	2SC2712GR TE85R				
Q 2021	G1090101	IC	UPC1037H				
Q 2022	G1091140	IC	M5218AL				
Q 2023	G3801607F	FET	2SK160-T2B K6				
Q 2024	G1091140	IC	M5218AL				
Q 2025	G3327127G	TRANSISTOR	2SC2712GR TE85R				
Q 2026	G3070006	TRANSISTOR	FA1A4P-T2B				
Q 2027	G3327127G	TRANSISTOR	2SC2712GR TE85R				
Q 2028	G3070006	TRANSISTOR	FA1A4P-T2B				
Q 2029	G3327127G	TRANSISTOR	2SC2712GR TE85R				
Q 2030	G3327127G	TRANSISTOR	2SC2712GR TE85R				
Q 2031	G3327127G	TRANSISTOR	2SC2712GR TE85R				
Q 2032	G4801317B	FET	3SK131-T2B V12				
Q 2033	G4801317B	FET	3SK131-T2B V12				
Q 2034	G3802107G	FET	2SK210GR TE85R				
Q 2035	G3111627G	TRANSISTOR	2SA1162GR TE85R				
Q 2036	G1090413	IC	TA7302P				
Q 2037	G4801317B	FET	3SK131-T2B V12				
Q 2038	G3801607F	FET	2SK160-T2B K6				
Q 2039	G1091140	IC	M5218AL				
R 2001	J24205102	CHIP RES.	RMC1/10T 102J	1K		1/10W	
R 2002	J24205104	CHIP RES.	RMC1/10T 104J	100K		1/10W	
R 2003	J24205331	CHIP RES.	RMC1/10T 331J	330		1/10W	
R 2005	J24205101	CHIP RES.	RMC1/10T 101J	100		1/10W	
R 2006	J24205102	CHIP RES.	RMC1/10T 102J	1K		1/10W	
R 2007	J24205103	CHIP RES.	RMC1/10T 103J	10K		1/10W	
R 2008	J24205221	CHIP RES.	RMC1/10T 221J	220		1/10W	
R 2009	J24205103	CHIP RES.	RMC1/10T 103J	10K		1/10W	
R 2010	J24205101	CHIP RES.	RMC1/10T 101J	100		1/10W	
R 2011	J24205103	CHIP RES.	RMC1/10T 103J	10K		1/10W	
R 2012	J24205104	CHIP RES.	RMC1/10T 104J	100K		1/10W	
R 2013	J24205103	CHIP RES.	RMC1/10T 103J	10K		1/10W	
R 2014	J24205472	CHIP RES.	RMC1/10T 472J	4.7K		1/10W	
R 2015	J24205473	CHIP RES.	RMC1/10T 473J	47K		1/10W	
R 2016	J24205472	CHIP RES.	RMC1/10T 472J	4.7K		1/10W	
R 2017	J24205471	CHIP RES.	RMC1/10T 471J	470		1/10W	
R 2018	J24205471	CHIP RES.	RMC1/10T 471J	470		1/10W	
R 2019	J24205123	CHIP RES.	RMC1/10T 123J	12K		1/10W	
R 2020	J24205103	CHIP RES.	RMC1/10T 103J	10K		1/10W	
R 2021	J24205153	CHIP RES.	RMC1/10T 153J	15K		1/10W	
R 2022	J24205101	CHIP RES.	RMC1/10T 101J	100		1/10W	
R 2023	J24205103	CHIP RES.	RMC1/10T 103J	10K		1/10W	
R 2024	J24205472	CHIP RES.	RMC1/10T 472J	4.7K		1/10W	
R 2025	J24205472	CHIP RES.	RMC1/10T 472J	4.7K		1/10W	
R 2026	J24205222	CHIP RES.	RMC1/10T 222J	2.2K		1/10W	
R 2027	J24205103	CHIP RES.	RMC1/10T 103J	10K		1/10W	

For Service Manuals Contact  
**MAURITRON TECHNICAL SERVICES**  
 8 Cherry Tree Rd, Chinnor  
 Oxon OX9 4QY  
 Tel:- 01844-351694 Fax:- 01844-352554  
 Email:- enquiries@mauritron.co.uk

REF.	YAESU P/N	DESCRIPTION	MFGR'S DESIG	VALUE	WV	TOL.	VERS.
R 2028	J24205103	CHIP RES.	RMC1/10T 103J	10K		1/10W	
R 2029	J24205221	CHIP RES.	RMC1/10T 221J	220		1/10W	
R 2030	J24205472	CHIP RES.	RMC1/10T 472J	4.7K		1/10W	
R 2031	J24205104	CHIP RES.	RMC1/10T 104J	100K		1/10W	
R 2032	J24205223	CHIP RES.	RMC1/10T 223J	22K		1/10W	
R 2033	J24205152	CHIP RES.	RMC1/10T 152J	1.5K		1/10W	
R 2034	J24205104	CHIP RES.	RMC1/10T 104J	100K		1/10W	
R 2035	J24205333	CHIP RES.	RMC1/10T 333J	33K		1/10W	
R 2036	J24205103	CHIP RES.	RMC1/10T 103J	10K		1/10W	
R 2037	J24205102	CHIP RES.	RMC1/10T 102J	1K		1/10W	
R 2038	J24205221	CHIP RES.	RMC1/10T 221J	220		1/10W	
R 2039	J24205471	CHIP RES.	RMC1/10T 471J	470		1/10W	
R 2040	J24205332	CHIP RES.	RMC1/10T 332J	3.3K		1/10W	
R 2041	J24205103	CHIP RES.	RMC1/10T 103J	10K		1/10W	
R 2042	J24205153	CHIP RES.	RMC1/10T 153J	15K		1/10W	
R 2043	J24205221	CHIP RES.	RMC1/10T 221J	220		1/10W	
R 2044	J24205103	CHIP RES.	RMC1/10T 103J	10K		1/10W	
R 2045	J07225221	CARBON FILM RES.	RD16TPJ221 220	220		1/6W	
R 2046	J24205103	CHIP RES.	RMC1/10T 103J	10K		1/10W	
R 2047	J24205101	CHIP RES.	RMC1/10T 101J	100		1/10W	
R 2048	J24205102	CHIP RES.	RMC1/10T 102J	1K		1/10W	
R 2049	J24205102	CHIP RES.	RMC1/10T 102J	1K		1/10W	
R 2050	J24205103	CHIP RES.	RMC1/10T 103J	10K		1/10W	
R 2051	J24205101	CHIP RES.	RMC1/10T 101J	100		1/10W	
R 2052	J24205103	CHIP RES.	RMC1/10T 103J	10K		1/10W	
R 2053	J24205151	CHIP RES.	RMC1/10T 151J	150		1/10W	
R 2054	J24205101	CHIP RES.	RMC1/10T 101J	100		1/10W	
R 2055	J24205681	CHIP RES.	RMC1/10T 681J	680		1/10W	
R 2056	J24205392	CHIP RES.	RMC1/10T 392J	3.9K		1/10W	
R 2057	J24205472	CHIP RES.	RMC1/10T 472J	4.7K		1/10W	
R 2058	J24205101	CHIP RES.	RMC1/10T 101J	100		1/10W	
R 2059	J24205104	CHIP RES.	RMC1/10T 104J	100K		1/10W	
R 2060	J24205102	CHIP RES.	RMC1/10T 102J	1K		1/10W	
R 2061	J24205101	CHIP RES.	RMC1/10T 101J	100		1/10W	
R 2062	J24205102	CHIP RES.	RMC1/10T 102J	1K		1/10W	
R 2063	J24205472	CHIP RES.	RMC1/10T 472J	4.7K		1/10W	
R 2064	J24205821	CHIP RES.	RMC1/10T 821J	820		1/10W	
R 2066	J24205334	CHIP RES.	RMC1/10T 334J	330K		1/10W	
R 2067	J24205153	CHIP RES.	RMC1/10T 153J	15K		1/10W	
R 2068	J24205152	CHIP RES.	RMC1/10T 152J	1.5K		1/10W	
R 2069	J24205822	CHIP RES.	RMC1/10T 822J	8.2K		1/10W	
R 2070	J24205152	CHIP RES.	RMC1/10T 152J	1.5K		1/10W	
R 2071	J24205473	CHIP RES.	RMC1/10T 473J	47K		1/10W	
R 2072	J24205222	CHIP RES.	RMC1/10T 222J	2.2K		1/10W	
R 2073	J24205222	CHIP RES.	RMC1/10T 222J	2.2K		1/10W	
R 2074	J24205471	CHIP RES.	RMC1/10T 471J	470		1/10W	
R 2075	J24205154	CHIP RES.	RMC1/10T 154J	150K		1/10W	
R 2076	J07225221	CARBON FILM RES.	RD16TPJ221 220	220		1/6W	
R 2077	J24205101	CHIP RES.	RMC1/10T 101J	100		1/10W	
R 2078	J24205820	CHIP RES.	RMC1/10T 820J	82		1/10W	
R 2079	J24205152	CHIP RES.	RMC1/10T 152J	1.5K		1/10W	
R 2080	J24205820	CHIP RES.	RMC1/10T 820J	82		1/10W	
R 2081	J24205101	CHIP RES.	RMC1/10T 101J	100		1/10W	
R 2082	J24205101	CHIP RES.	RMC1/10T 101J	100		1/10W	
R 2083	J24205560	CHIP RES.	RMC1/10T 560J	56		1/10W	

# IF Unit

REF.	YAESU P/N	DESCRIPTION	MFGR'S DESIG	VALUE	WV	TOL.	VERS.
R 2084	J24205222	CHIP RES.	RMC1/10T 222J	2.2K	1/10W		
R 2085	J24205560	CHIP RES.	RMC1/10T 560J	56	1/10W		
R 2086	J24205101	CHIP RES.	RMC1/10T 101J	100	1/10W		
R 2087	J24205101	CHIP RES.	RMC1/10T 101J	100	1/10W		
R 2088	J24205101	CHIP RES.	RMC1/10T 101J	100	1/10W		
R 2089	J24205102	CHIP RES.	RMC1/10T 102J	1K	1/10W		
R 2090	J24205102	CHIP RES.	RMC1/10T 102J	1K	1/10W		
R 2091	J24205392	CHIP RES.	RMC1/10T 392J	3.9K	1/10W		
R 2092	J24205102	CHIP RES.	RMC1/10T 102J	1K	1/10W		
R 2093	J24205101	CHIP RES.	RMC1/10T 101J	100	1/10W		
R 2094	J24205101	CHIP RES.	RMC1/10T 101J	100	1/10W		
R 2095	J24205472	CHIP RES.	RMC1/10T 472J	4.7K	1/10W		
R 2096	J24205391	CHIP RES.	RMC1/10T 391J	390	1/10W		
R 2097	J24205332	CHIP RES.	RMC1/10T 332J	3.3K	1/10W		
R 2098	J24205221	CHIP RES.	RMC1/10T 221J	220	1/10W		
R 2099	J24205223	CHIP RES.	RMC1/10T 223J	22K	1/10W		
R 2100	J24205103	CHIP RES.	RMC1/10T 103J	10K	1/10W		
R 2101	J24205332	CHIP RES.	RMC1/10T 332J	3.3K	1/10W		
R 2102	J24205560	CHIP RES.	RMC1/10T 560J	56	1/10W		
R 2103	J24205472	CHIP RES.	RMC1/10T 472J	4.7K	1/10W		
R 2104	J24205273	CHIP RES.	RMC1/10T 273J	27K	1/10W		
R 2105	J24205391	CHIP RES.	RMC1/10T 391J	390	1/10W		
R 2106	J24205103	CHIP RES.	RMC1/10T 103J	10K	1/10W		
R 2107	J24205473	CHIP RES.	RMC1/10T 473J	47K	1/10W		
R 2108	J24205473	CHIP RES.	RMC1/10T 473J	47K	1/10W		
R 2109	J24205102	CHIP RES.	RMC1/10T 102J	1K	1/10W		
R 2110	J24205472	CHIP RES.	RMC1/10T 472J	4.7K	1/10W		
R 2111	J24205102	CHIP RES.	RMC1/10T 102J	1K	1/10W		
R 2112	J24205102	CHIP RES.	RMC1/10T 102J	1K	1/10W		
R 2113	J24205392	CHIP RES.	RMC1/10T 392J	3.9K	1/10W		
R 2114	J24205101	CHIP RES.	RMC1/10T 101J	100	1/10W		
R 2115	J24205104	CHIP RES.	RMC1/10T 104J	100K	1/10W		
R 2116	J24205473	CHIP RES.	RMC1/10T 473J	47K	1/10W		
R 2117	J24205473	CHIP RES.	RMC1/10T 473J	47K	1/10W		
R 2118	J24205154	CHIP RES.	RMC1/10T 154J	150K	1/10W		
R 2119	J24205154	CHIP RES.	RMC1/10T 154J	150K	1/10W		
R 2120	J24205222	CHIP RES.	RMC1/10T 222J	2.2K	1/10W		
R 2121	J24205472	CHIP RES.	RMC1/10T 472J	4.7K	1/10W		
R 2122	J24205103	CHIP RES.	RMC1/10T 103J	10K	1/10W		
R 2123	J24205155	CHIP RES.	RMC1/10T 155J	1.5M	1/10W		
R 2124	J24205473	CHIP RES.	RMC1/10T 473J	47K	1/10W		
R 2125	J24205223	CHIP RES.	RMC1/10T 223J	22K	1/10W		
R 2126	J24205101	CHIP RES.	RMC1/10T 101J	100	1/10W		
R 2127	J24205154	CHIP RES.	RMC1/10T 154J	150K	1/10W		
R 2128	J24205103	CHIP RES.	RMC1/10T 103J	10K	1/10W		
R 2129	J24205102	CHIP RES.	RMC1/10T 102J	1K	1/10W		
R 2130	J24205104	CHIP RES.	RMC1/10T 104J	100K	1/10W		
R 2131	J24205105	CHIP RES.	RMC1/10T 105J	1M	1/10W		
R 2132	J24205472	CHIP RES.	RMC1/10T 472J	4.7K	1/10W		
R 2133	J24205101	CHIP RES.	RMC1/10T 101J	100	1/10W		
R 2134	J24205472	CHIP RES.	RMC1/10T 472J	4.7K	1/10W		
R 2135	J24205101	CHIP RES.	RMC1/10T 101J	100	1/10W		
R 2136	J24205472	CHIP RES.	RMC1/10T 472J	4.7K	1/10W		
R 2137	J24205101	CHIP RES.	RMC1/10T 101J	100	1/10W		
R 2138	J24205472	CHIP RES.	RMC1/10T 472J	4.7K	1/10W		

For Service Manuals Contact  
**MAURITRON TECHNICAL SERVICES**  
 8 Cherry Tree Rd, Chinnor  
 Oxon OX9 4QY  
 Tel: 01844-351694 Fax: 01844-352554  
 Email: enquiries@mauritron.co.uk



REF.	YAESU P/N	DESCRIPTION	MFGR'S DESIG	VALUE	WV	TOL.	VERS.
R 2139	J24205101	CHIP RES.	RMC1/10T 101J	100	1/10W		
R 2140	J24205472	CHIP RES.	RMC1/10T 472J	4.7K	1/10W		
R 2141	J24205101	CHIP RES.	RMC1/10T 101J	100	1/10W		
R 2142	J24205472	CHIP RES.	RMC1/10T 472J	4.7K	1/10W		
R 2143	J24205101	CHIP RES.	RMC1/10T 101J	100	1/10W		
R 2144	J24205332	CHIP RES.	RMC1/10T 332J	3.3K	1/10W		
R 2145	J24205334	CHIP RES.	RMC1/10T 334J	330K	1/10W		
R 2146	J24205334	CHIP RES.	RMC1/10T 334J	330K	1/10W		
R 2147	J24205102	CHIP RES.	RMC1/10T 102J	1K	1/10W		
R 2148	J24205102	CHIP RES.	RMC1/10T 102J	1K	1/10W		
R 2149	J24205103	CHIP RES.	RMC1/10T 103J	10K	1/10W		
R 2150	J24205104	CHIP RES.	RMC1/10T 104J	100K	1/10W		
R 2151	J24205472	CHIP RES.	RMC1/10T 472J	4.7K	1/10W		
R 2152	J24205102	CHIP RES.	RMC1/10T 102J	1K	1/10W		
R 2153	J24205104	CHIP RES.	RMC1/10T 104J	100K	1/10W		
R 2154	J24205103	CHIP RES.	RMC1/10T 103J	10K	1/10W		
R 2155	J24205101	CHIP RES.	RMC1/10T 101J	100	1/10W		
R 2156	J24205104	CHIP RES.	RMC1/10T 104J	100K	1/10W		
R 2157	J24205104	CHIP RES.	RMC1/10T 104J	100K	1/10W		
R 2158	J24205102	CHIP RES.	RMC1/10T 102J	1K	1/10W		
R 2159	J24205104	CHIP RES.	RMC1/10T 104J	100K	1/10W		
R 2160	J24205683	CHIP RES.	RMC1/10T 683J	68K	1/10W		
R 2161	J24205101	CHIP RES.	RMC1/10T 101J	100	1/10W		
R 2162	J24205151	CHIP RES.	RMC1/10T 151J	150	1/10W		
R 2163	J24205101	CHIP RES.	RMC1/10T 101J	100	1/10W		
R 2164	J24205101	CHIP RES.	RMC1/10T 101J	100	1/10W		
R 2165	J24205103	CHIP RES.	RMC1/10T 103J	10K	1/10W		
R 2166	J24205563	CHIP RES.	RMC1/10T 563J	56K	1/10W		
R 2167	J24205151	CHIP RES.	RMC1/10T 151J	150	1/10W		
R 2168	J24205101	CHIP RES.	RMC1/10T 101J	100	1/10W		
R 2169	J24205332	CHIP RES.	RMC1/10T 332J	3.3K	1/10W		
R 2170	J24205101	CHIP RES.	RMC1/10T 101J	100	1/10W		
R 2171	J24205104	CHIP RES.	RMC1/10T 104J	100K	1/10W		
R 2172	J24205221	CHIP RES.	RMC1/10T 221J	220	1/10W		
R 2173	J24205101	CHIP RES.	RMC1/10T 101J	100	1/10W		
R 2174	J24205681	CHIP RES.	RMC1/10T 681J	680	1/10W		
R 2175	J24205472	CHIP RES.	RMC1/10T 472J	4.7K	1/10W		
R 2176	J24205473	CHIP RES.	RMC1/10T 473J	47K	1/10W		
R 2177	J24205101	CHIP RES.	RMC1/10T 101J	100	1/10W		
R 2178	J24205472	CHIP RES.	RMC1/10T 472J	4.7K	1/10W		
R 2179	J24205101	CHIP RES.	RMC1/10T 101J	100	1/10W		
R 2180	J24205101	CHIP RES.	RMC1/10T 101J	100	1/10W		
R 2181	J24205472	CHIP RES.	RMC1/10T 472J	4.7K	1/10W		
R 2182	J24205101	CHIP RES.	RMC1/10T 101J	100	1/10W		
R 2183	J24205221	CHIP RES.	RMC1/10T 221J	220	1/10W		
R 2184	J24205563	CHIP RES.	RMC1/10T 563J	56K	1/10W		
R 2185	J24205103	CHIP RES.	RMC1/10T 103J	10K	1/10W		
R 2186	J24205101	CHIP RES.	RMC1/10T 101J	100	1/10W		
R 2187	J24205103	CHIP RES.	RMC1/10T 103J	10K	1/10W		
R 2188	J24205472	CHIP RES.	RMC1/10T 472J	4.7K	1/10W		
R 2189	J24205104	CHIP RES.	RMC1/10T 104J	100K	1/10W		
R 2190	J24205103	CHIP RES.	RMC1/10T 103J	10K	1/10W		
R 2191	J24205105	CHIP RES.	RMC1/10T 105J	1M	1/10W		
R 2192	J24205105	CHIP RES.	RMC1/10T 105J	1M	1/10W		
R 2193	J24205333	CHIP RES.	RMC1/10T 333J	33K	1/10W		

# IF Unit

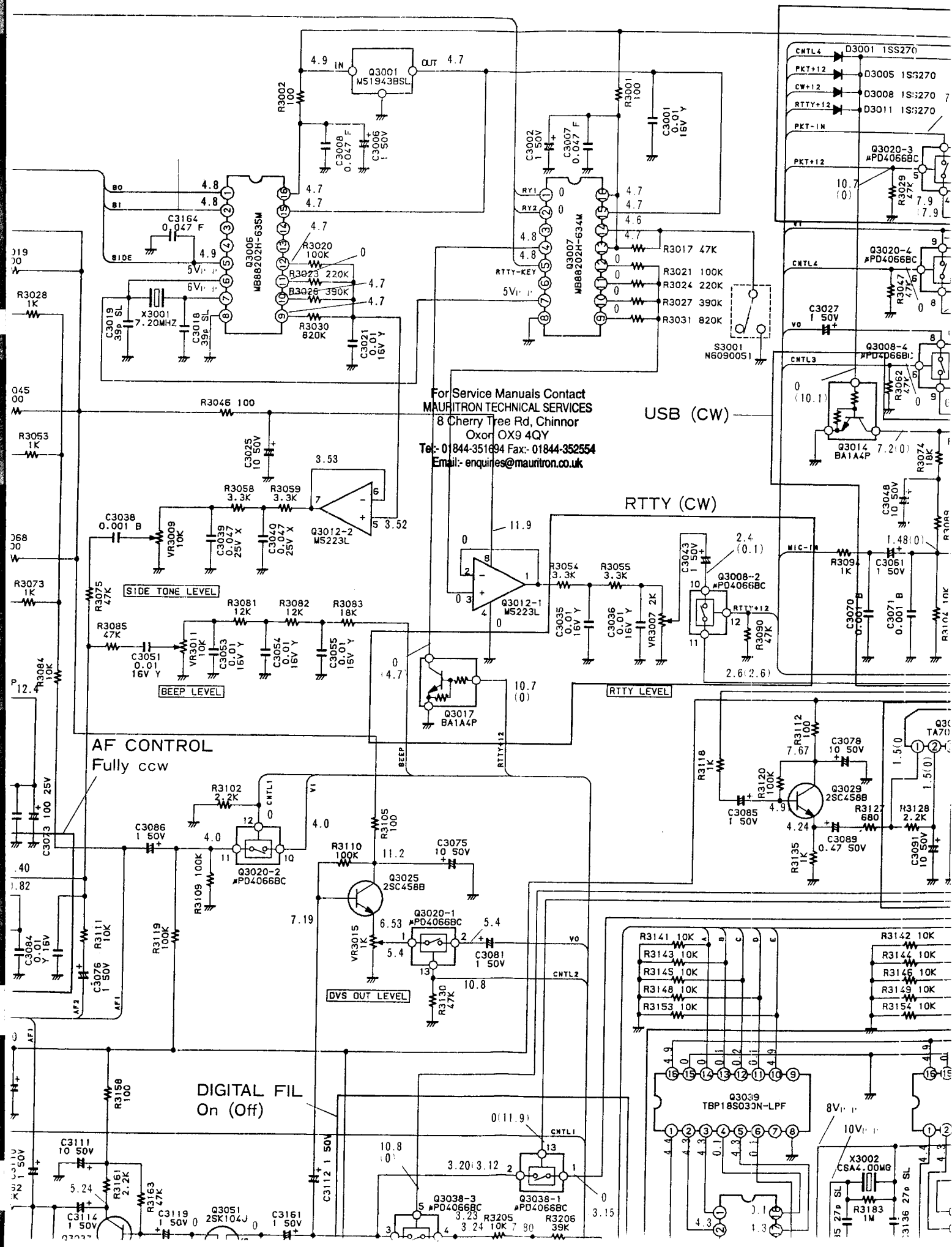
REF.	YAESU P/N	DESCRIPTION	MFGR'S DESIG	VALUE	WV	TOL.	VERS.
R 2194	J24205104	CHIP RES.	RMC1/10T 104J	100K	1/10W		
R 2195	J24205124	CHIP RES.	RMC1/10T 124J	120K	1/10W		
R 2196	J24205104	CHIP RES.	RMC1/10T 104J	100K	1/10W		
R 2197	J24205223	CHIP RES.	RMC1/10T 223J	22K	1/10W		
R 2198	J24205124	CHIP RES.	RMC1/10T 124J	120K	1/10W		
R 2199	J24205333	CHIP RES.	RMC1/10T 333J	33K	1/10W		
R 2200	J24205332	CHIP RES.	RMC1/10T 332J	3.3K	1/10W		
R 2201	J24205104	CHIP RES.	RMC1/10T 104J	100K	1/10W		
R 2202	J24205332	CHIP RES.	RMC1/10T 332J	3.3K	1/10W		
R 2203	J24205332	CHIP RES.	RMC1/10T 332J	3.3K	1/10W		
R 2204	J24205332	CHIP RES.	RMC1/10T 332J	3.3K	1/10W		
R 2205	J24205332	CHIP RES.	RMC1/10T 332J	3.3K	1/10W		
R 2206	J24205103	CHIP RES.	RMC1/10T 103J	10K	1/10W		
R 2207	J24205103	CHIP RES.	RMC1/10T 103J	10K	1/10W		
R 2208	J24205103	CHIP RES.	RMC1/10T 103J	10K	1/10W		
R 2209	J24205103	CHIP RES.	RMC1/10T 103J	10K	1/10W		
R 2210	J24205222	CHIP RES.	RMC1/10T 222J	2.2K	1/10W		
R 2211	J24205103	CHIP RES.	RMC1/10T 103J	10K	1/10W		
R 2213	J24205222	CHIP RES.	RMC1/10T 222J	2.2K	1/10W		
R 2214	J24205223	CHIP RES.	RMC1/10T 223J	22K	1/10W		
R 2216	J24205103	CHIP RES.	RMC1/10T 103J	10K	1/10W		
R 2217	J24205470	CHIP RES.	RMC1/10T 470J	47	1/10W		
T 2001	L0021541	COIL	10.7M				
T 2002	L0021162	COIL	10.7M R12-3909A				
T 2003	L0021482A	COIL	47.0M				
T 2004	L0020186B	COIL	10.7M 8X376049				
T 2005	L0021544	COIL	10.7M				
T 2006	L0021541	COIL	10.7M				
T 2007	L0021540	COIL	10.7M				
T 2008	L0021560	COIL	36.3M				
T 2009	L0021162	COIL	10.7M R12-3909A				
T 2010	L0021225	COIL	47.1M R12-6707A				
T 2011	L0021225	COIL	47.1M R12-6707A				
T 2012	L0021225	COIL	47.1M R12-6707A				
T 2013	L0020910A	COIL	10.7M				
T 2014	L0021541	COIL	10.7M				
T 2015	L0021544	COIL	10.7M				
T 2016	L0021541	COIL	10.7M				
T 2017	L0190002	COIL	455K				
T 2018	L0021162	COIL	10.7M R12-3909A				
T 2019	L0021541	COIL	10.7M				
T 2020	L0020421	COIL	R12-7935A				
T 2021	L0190002	COIL	455K				
T 2022	L0190002	COIL	455K				
T 2023	L0020420	COIL	R12-7943B				
T 2024	L0020421	COIL	R12-7935A				
T 2025	L0190002	COIL	455K				
TH2001	G9090016	THERMISTOR	112252-2				
TH2002	G9090008	THERMISTOR	112102-2				
TH2003	G9090039	THERMISTOR	112152-2				
TP2001	Q5000050	TP-K	IPS-1136				
TP2002	Q5000050	TP-K	IPS-1136				

For Service Manuals Contact  
**MAURITRON TECHNICAL SERVICES**  
 8 Cherry Tree Rd, Chinnor  
 Oxon OX9 4QY  
 Tel:- 01844-351694 Fax:- 01844-352554  
 Email:- enquires@mauritron.co.uk

REF.	YAESU P/N	DESCRIPTION	MFGR'S DESIG	VALUE	WV	TOL.	VERS.
TP2003	Q5000050	TP-K	IPS-1136				
VR2001	J51783502	POT.	EVN-DXAA03B53	5K			
VR2002	J50784202	POT.	EVN-DCAA03B23	2K			
VR2003	J50784103	POT.	EVN-DCAA03B14	10K			
VR2004	J50784103	POT.	EVN-DCAA03B14	10K			
VR2005	J50784103	POT.	EVN-DCAA03B14	10K			
VR2006	J50784103	POT.	EVN-DCAA03B14	10K			
VR2007	J50787502	POT.	PK502H502V0	5K			
VR2008	J50784102	POT.	EVN-DCAA03B13	1K			
VR2009	J50784102	POT.	EVN-DCAA03B13	1K			
VR2010	J50784503	POT.	EVN-DCAA03B54	50K			
VR2011	J50784103	POT.	EVN-DCAA03B14	10K			
X 2001	H0102985A	XTAL		10.94076MHz			
XF2001	H1102197	XTAL FILTER	10.9M2.6D				
XF2002	H1102192	XTAL FILTER	XF-10.9M-202-01				SSB-N
XF2003	H1102193	XTAL FILTER	XF-10.9M-501-01				CW-W
XF2004	H1102195	XTAL FILTER	10.9M10				
XF2005	H1102164	XTAL FILTER	XF-455K-251-01				CW-N
	R0137190	SHIELD CASE				5X2P	
	R0136960	FITTING R					
	R0136970	FITTING L					
	Q9000032	SPACER (2 pcs)					
	R7107410	FIBER					

For Service Manuals Contact  
**MAURITRON TECHNICAL SERVICES**  
8 Cherry Tree Rd, Chinnor  
Oxon OX9 4QY  
Tel: 01844-351694 Fax: 01844-352554  
Email: enquiries@mauritron.co.uk





For Service Manuals Contact  
**MAURITRON TECHNICAL SERVICES**  
 8 Cherry Tree Rd, Chinnor  
 Oxon OX9 4QY  
 Tel:- 01844-351694 Fax:- 01844-352554  
 Email:- enquiries@mauritron.co.uk

USB (CW)

RTTY (CW)

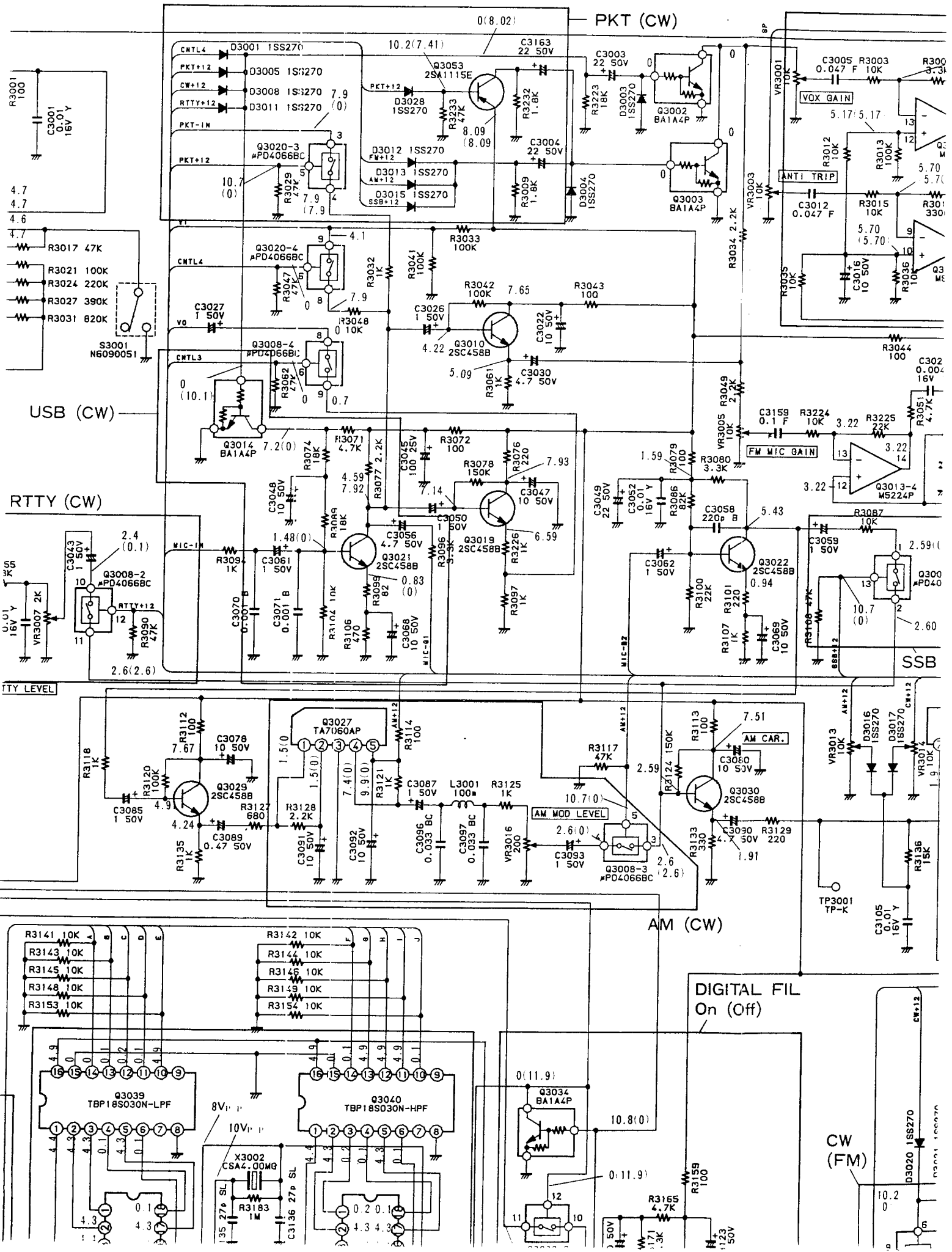
RTTY LEVEL

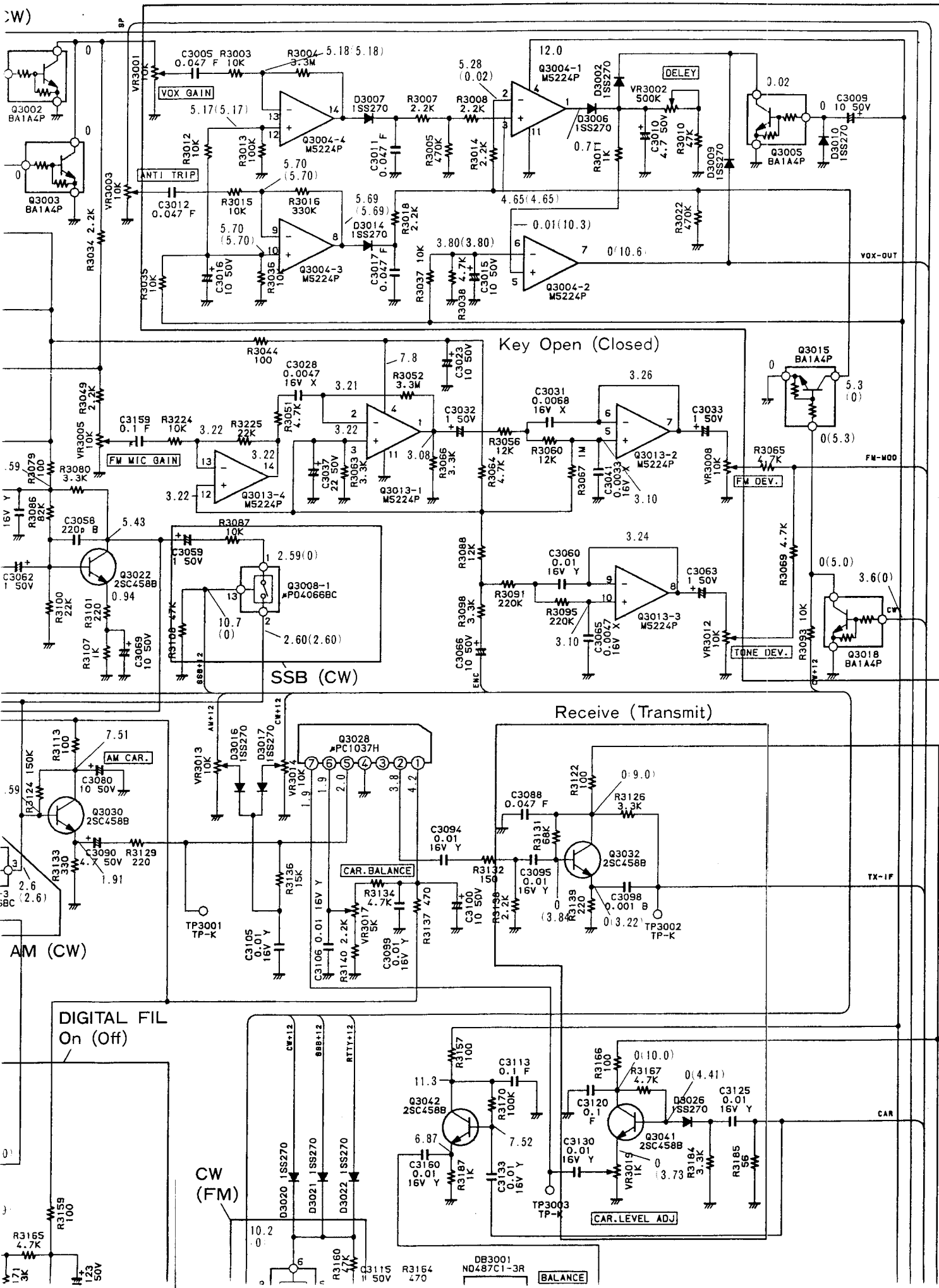
AF CONTROL  
 Fully ccw

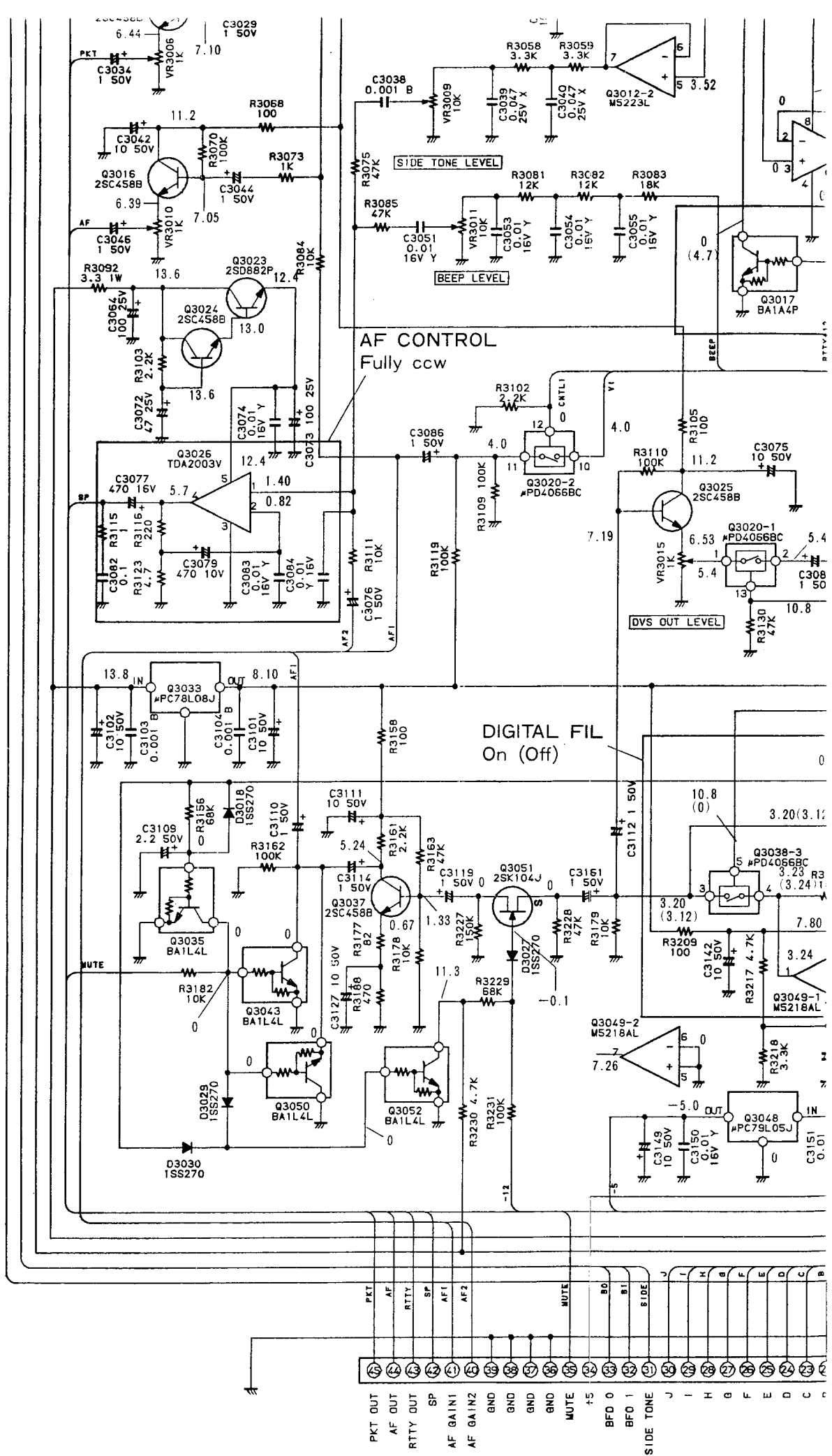
DIGITAL FIL  
 On (Off)

119 00  
 045 00  
 368 00  
 P 12.4  
 .40  
 1.82  
 0  
 X 32 1 50V  
 33037

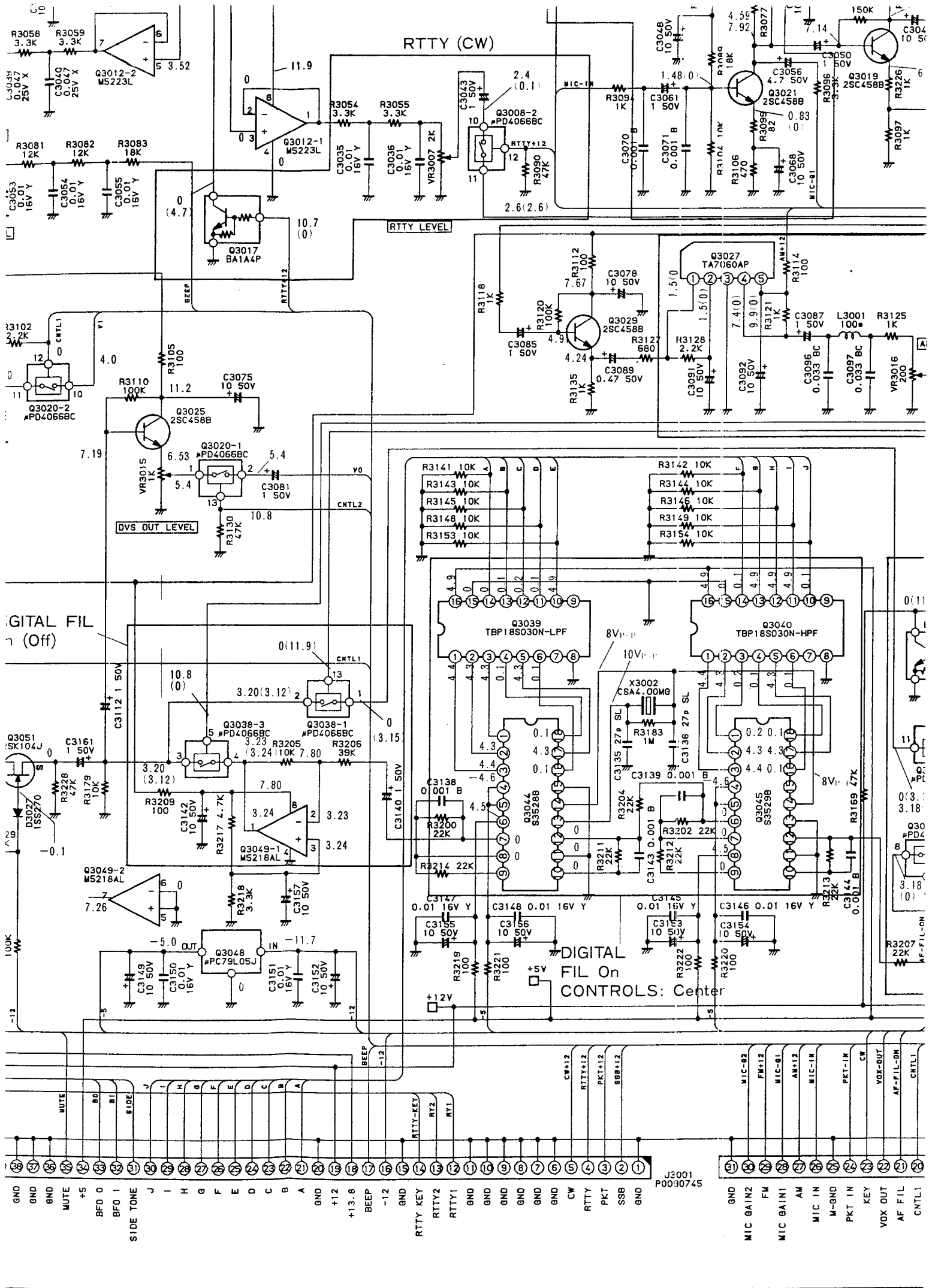
CNTL4 D3001 1S3270  
 PKT+12 D3005 1S3270  
 CW+12 D3008 1S3270  
 RTTY+12 D3011 1S3270  
 PKT-IN  
 PKT+12  
 CNTL4  
 CNTL3  
 MIC-IN  
 Q3014 BA1A4P  
 R3074 18K  
 R3099 1K  
 C3070 0.001 B  
 C3071 0.001 B  
 R3102 10K  
 R3112 100  
 C3078 10 50V  
 Q3029 2SC458B  
 R3127 680  
 R3128 2.2K  
 C3089 0.47 50V  
 C3091 10 50V  
 R3135 1K  
 R3118 1K  
 R3120 100K  
 R3112 100  
 R3122 7.67  
 R3127 680  
 R3128 2.2K  
 R3135 1K  
 R3141 10K  
 R3143 10K  
 R3145 10K  
 R3148 10K  
 R3153 10K  
 R3142 10K  
 R3144 10K  
 R3146 10K  
 R3149 10K  
 R3154 10K  
 Q3039 TBP18S03JN-LPF  
 8V  
 10V  
 X3002 CSA4.00MG  
 R3183 1M  
 R3136 27p SL  
 Q3012-1 M5223L  
 Q3012-2 M5223L  
 Q3020-1 #PD4066BC  
 Q3020-2 #PD4066BC  
 Q3025 2SC458B  
 Q3038-1 #PD4066BC  
 Q3038-3 #PD4066BC  
 Q3001 M51943BSL  
 Q3002  
 Q3007  
 Q3008-2 #PD4066BC  
 Q3008-4 #PD4066BC  
 Q3014 BA1A4P  
 Q3017  
 Q3020-3 #PD4066BC  
 Q3020-4 #PD4066BC  
 Q3029 2SC458B  
 Q3031  
 Q3035  
 Q3036  
 Q3037  
 Q3038  
 Q3039  
 Q3043  
 Q3047  
 Q3051  
 Q3055  
 Q3058  
 Q3059  
 Q3075  
 Q3076  
 Q3077  
 Q3081  
 Q3082  
 Q3083  
 Q3085  
 Q3086  
 Q3088  
 Q3089  
 Q3091  
 Q3095  
 Q3096  
 Q3097  
 Q3098  
 Q3099  
 Q3101  
 Q3102  
 Q3103  
 Q3104  
 Q3105  
 Q3106  
 Q3107  
 Q3108  
 Q3109  
 Q3110  
 Q3111  
 Q3112  
 Q3113  
 Q3114  
 Q3115  
 Q3116  
 Q3117  
 Q3118  
 Q3119  
 Q3120  
 Q3121  
 Q3122  
 Q3123  
 Q3124  
 Q3125  
 Q3126  
 Q3127  
 Q3128  
 Q3129  
 Q3130  
 Q3131  
 Q3132  
 Q3133  
 Q3134  
 Q3135  
 Q3136  
 Q3137  
 Q3138  
 Q3139  
 Q3140  
 Q3141  
 Q3142  
 Q3143  
 Q3144  
 Q3145  
 Q3146  
 Q3147  
 Q3148  
 Q3149  
 Q3150  
 Q3151  
 Q3152  
 Q3153  
 Q3154  
 Q3155  
 Q3156  
 Q3157  
 Q3158  
 Q3159  
 Q3160  
 Q3161  
 Q3162  
 Q3163  
 Q3164  
 Q3165  
 Q3166  
 Q3167  
 Q3168  
 Q3169  
 Q3170  
 Q3171  
 Q3172  
 Q3173  
 Q3174  
 Q3175  
 Q3176  
 Q3177  
 Q3178  
 Q3179  
 Q3180  
 Q3181  
 Q3182  
 Q3183  
 Q3184  
 Q3185  
 Q3186  
 Q3187  
 Q3188  
 Q3189  
 Q3190  
 Q3191  
 Q3192  
 Q3193  
 Q3194  
 Q3195  
 Q3196  
 Q3197  
 Q3198  
 Q3199  
 Q3200



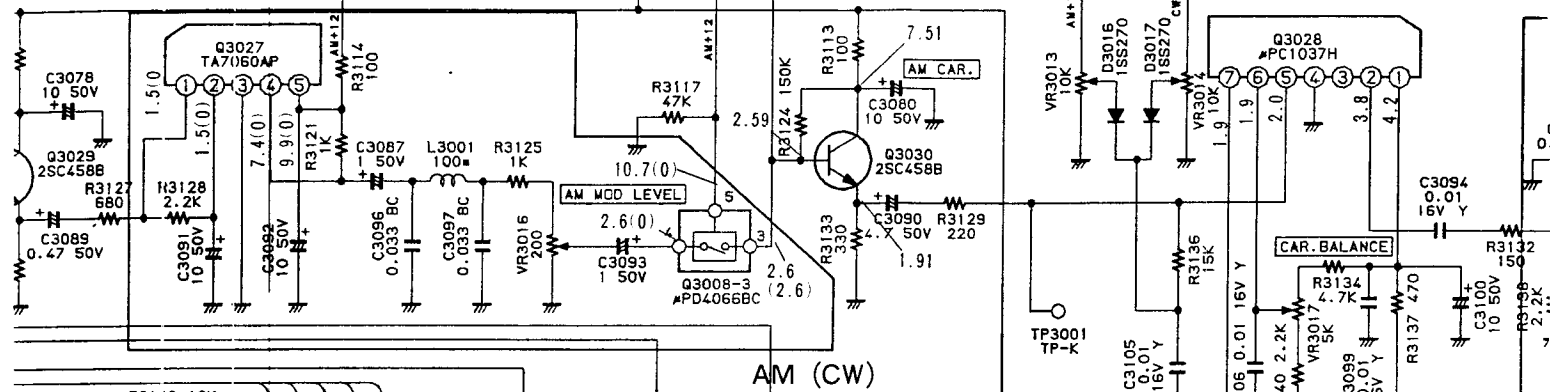
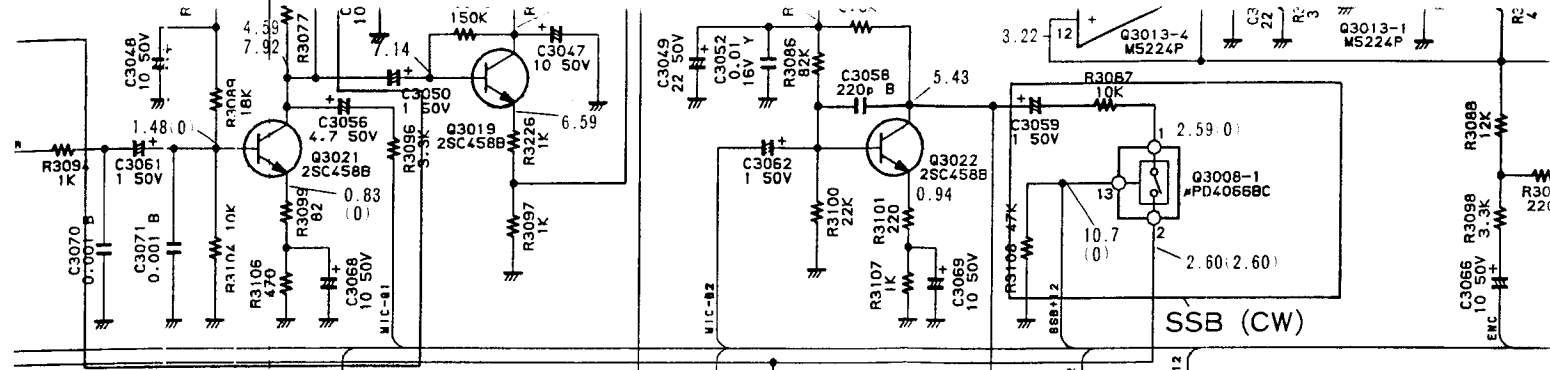




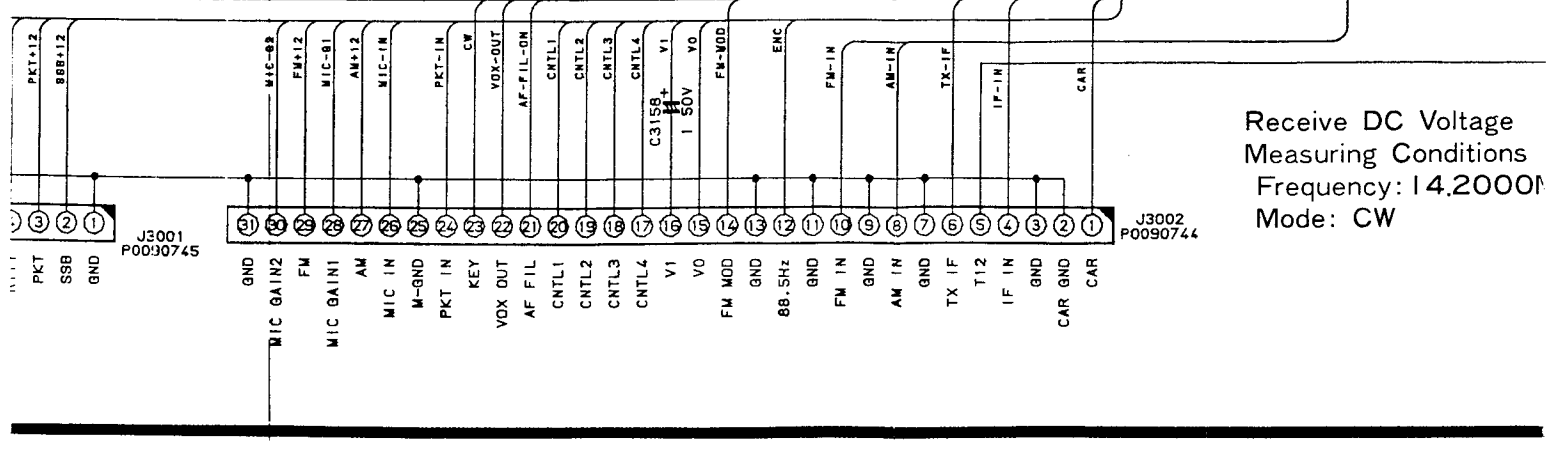
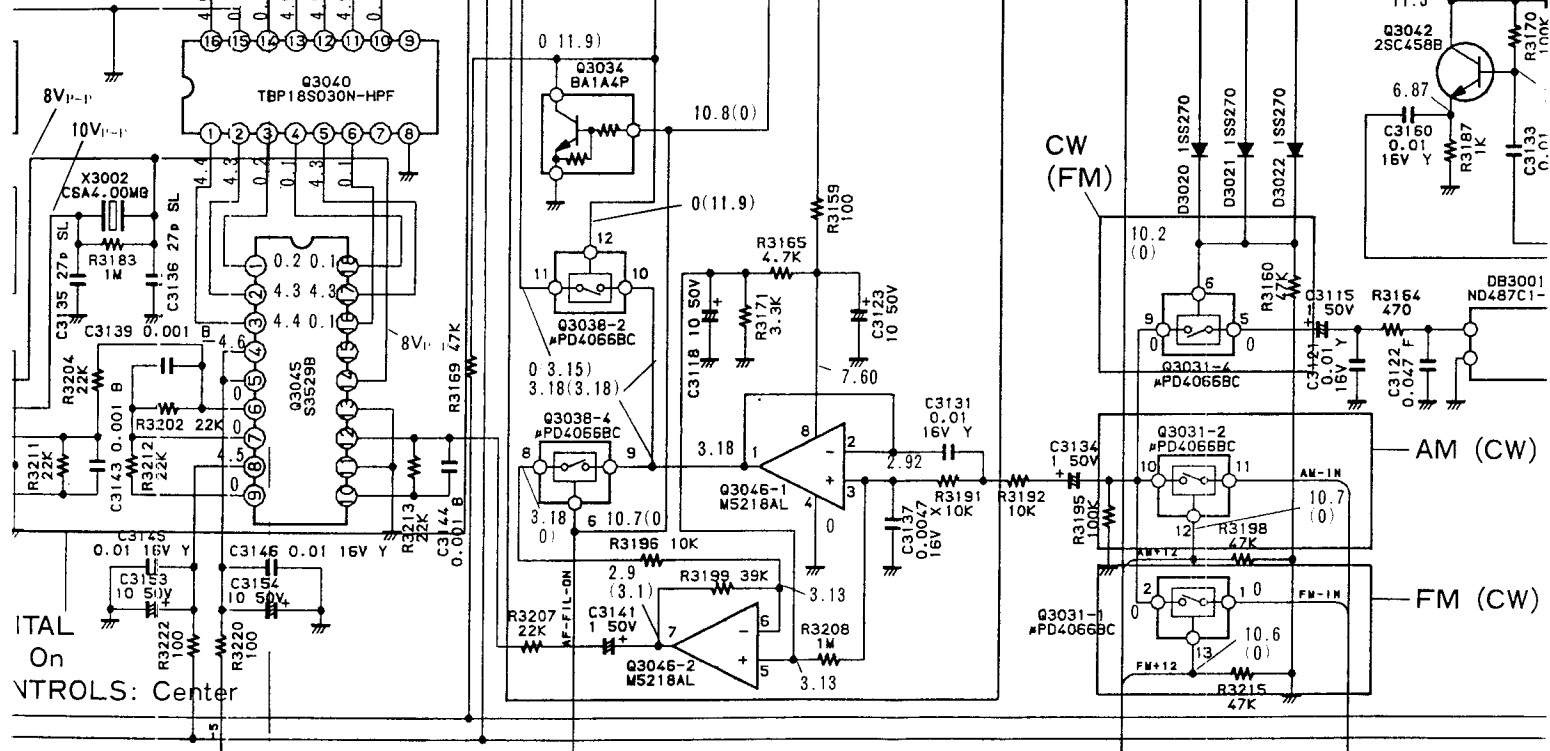


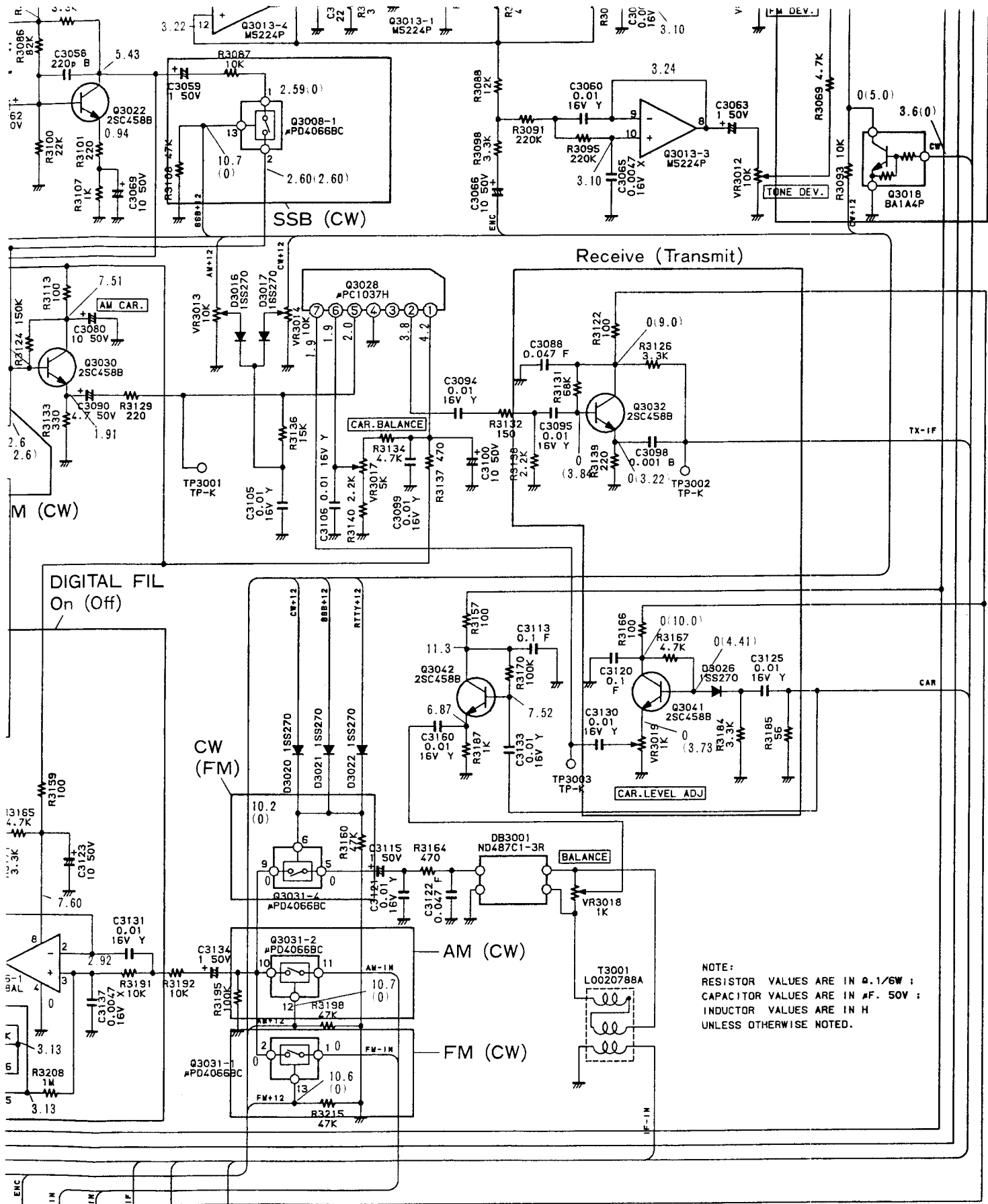


J3001  
P0030745



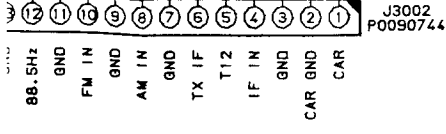
For Service Manuals Contact  
**MAURITRON TECHNICAL SERVICES**  
 8 Cherry Tree Rd, Chinnor  
 Oxon OX9 4QY  
 Tel: 01844-351694 Fax: 01844-352554  
 Email: enquiries@mauritron.co.uk

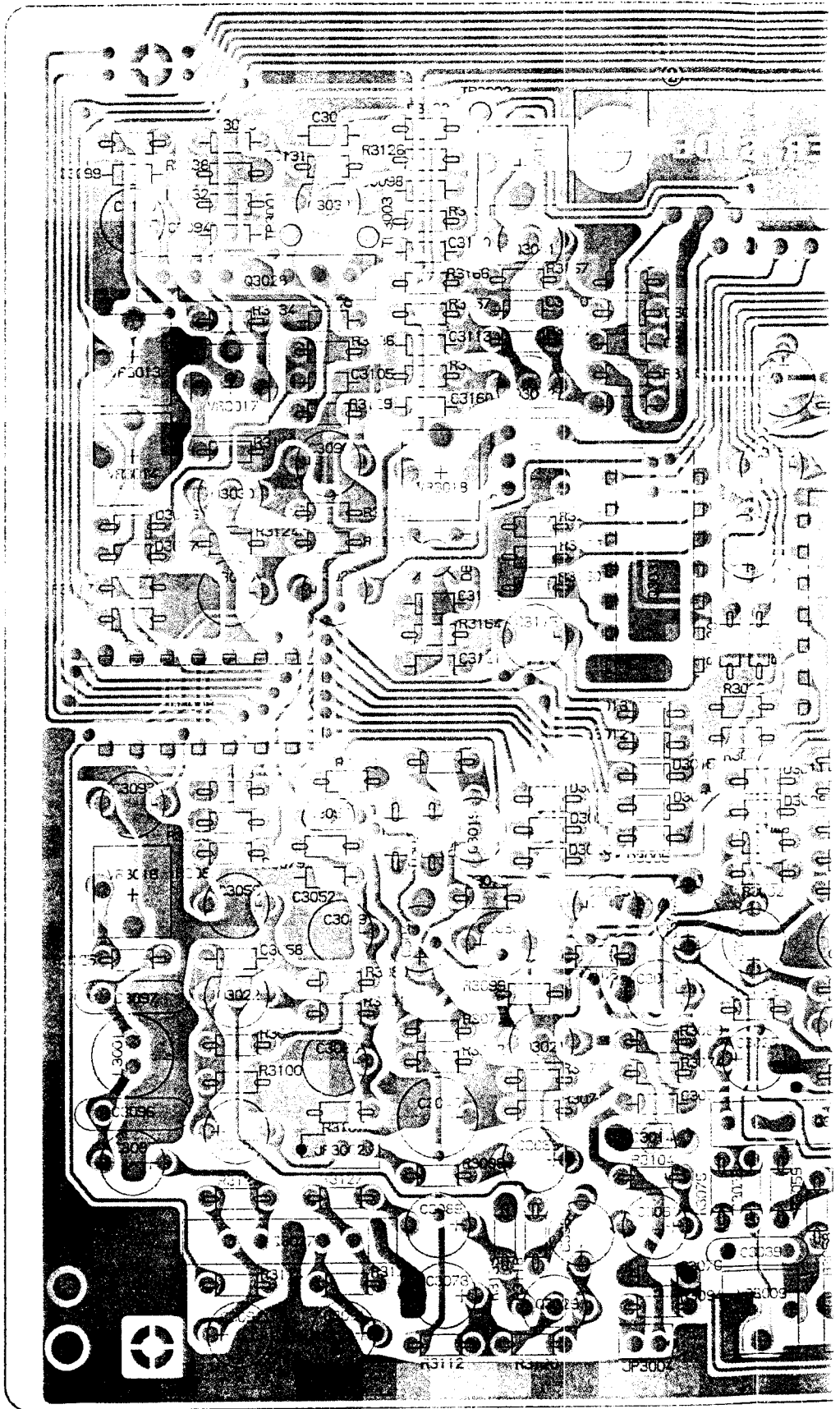




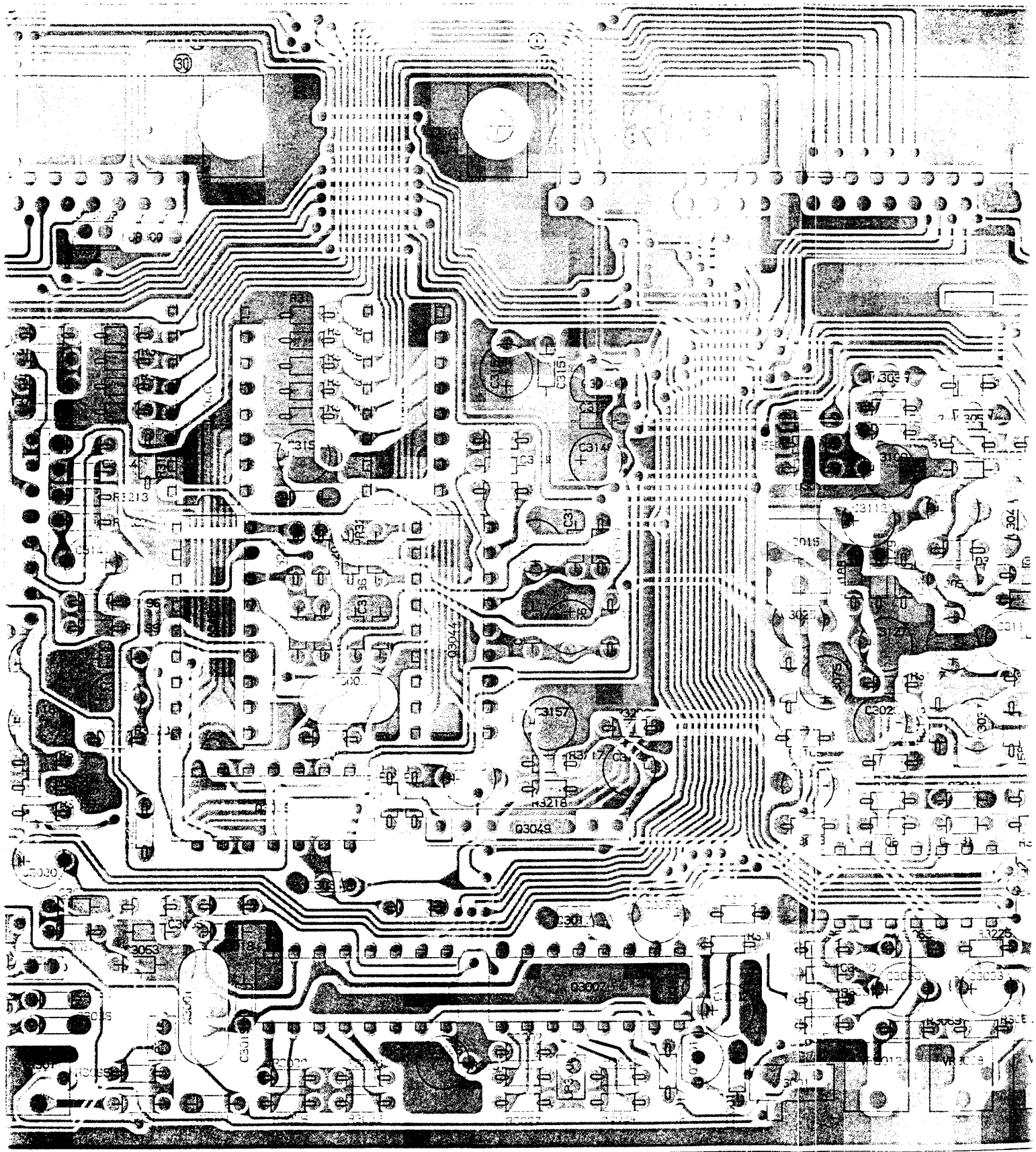
NOTE:  
 RESISTOR VALUES ARE IN Ω, 1/6W ;  
 CAPACITOR VALUES ARE IN μF, 50V ;  
 INDUCTOR VALUES ARE IN H  
 UNLESS OTHERWISE NOTED.

Receive DC Voltage  
 Measuring Conditions  
 Frequency: 14.2000MHz  
 Mode: CW

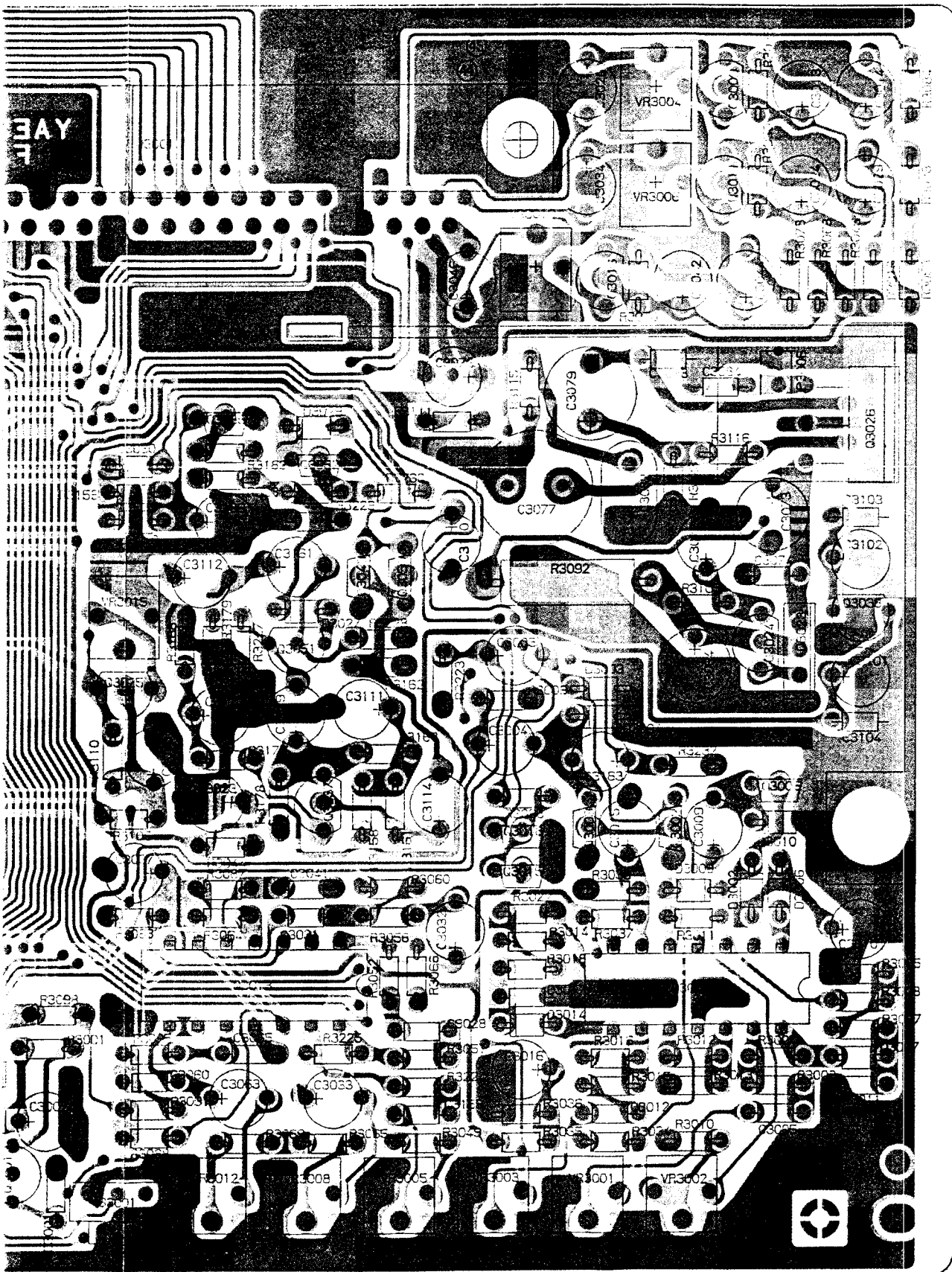






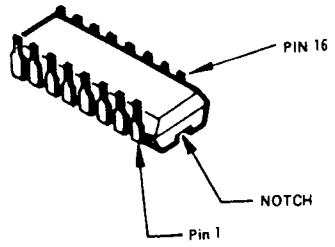
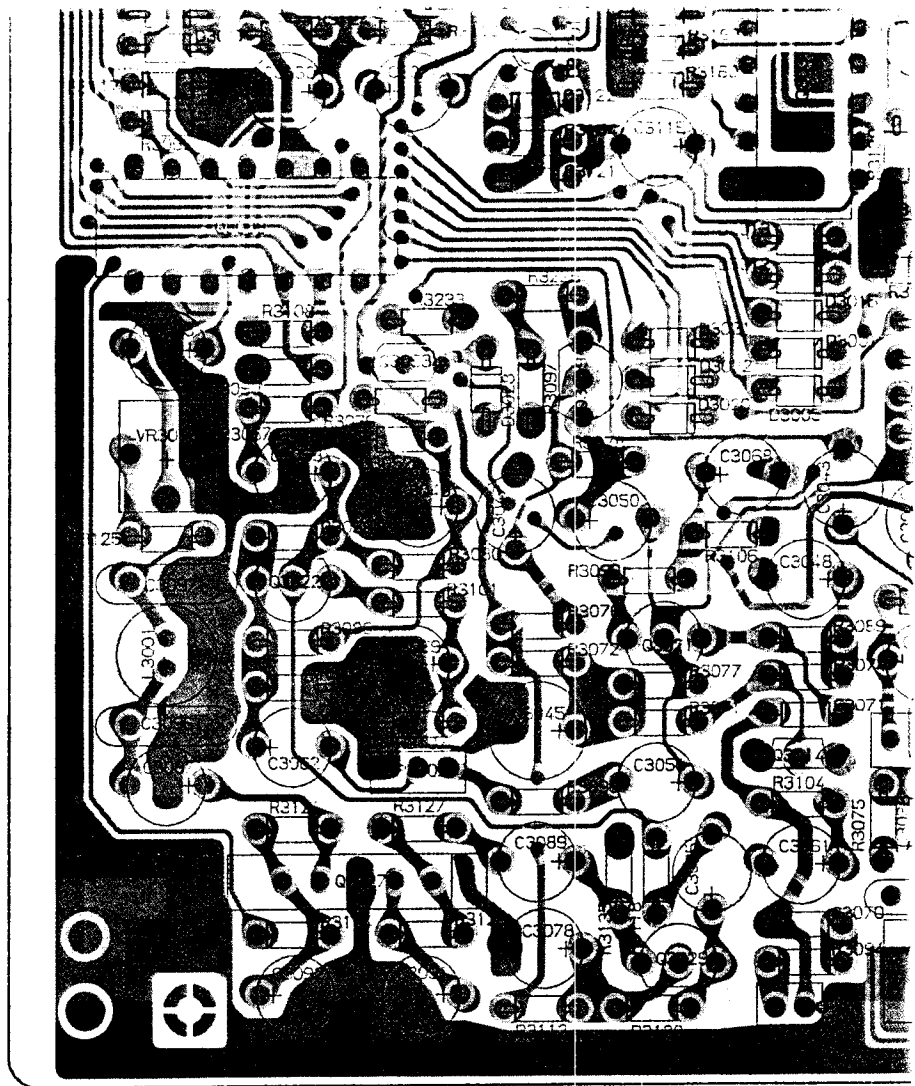




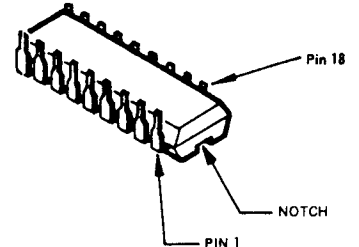


(“component” side)

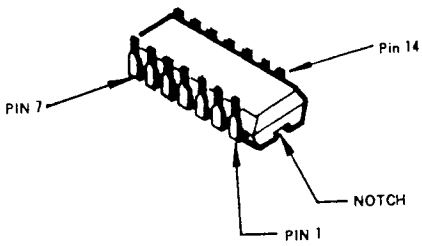




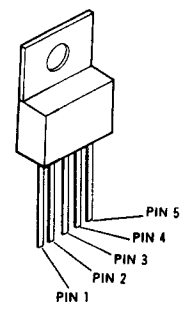
- MB88202H-634M  
(Q3007)
- MB88202H-635M  
(Q3006)
- TBP18S030NLPF  
(Q3039)
- TBP18S030NHPF  
(Q3040)
- $\mu$ PD4066BC  
(Q3008, 3020, 3031, 3038)



- S3528B  
(Q3044)
- S3529B  
(Q3045)

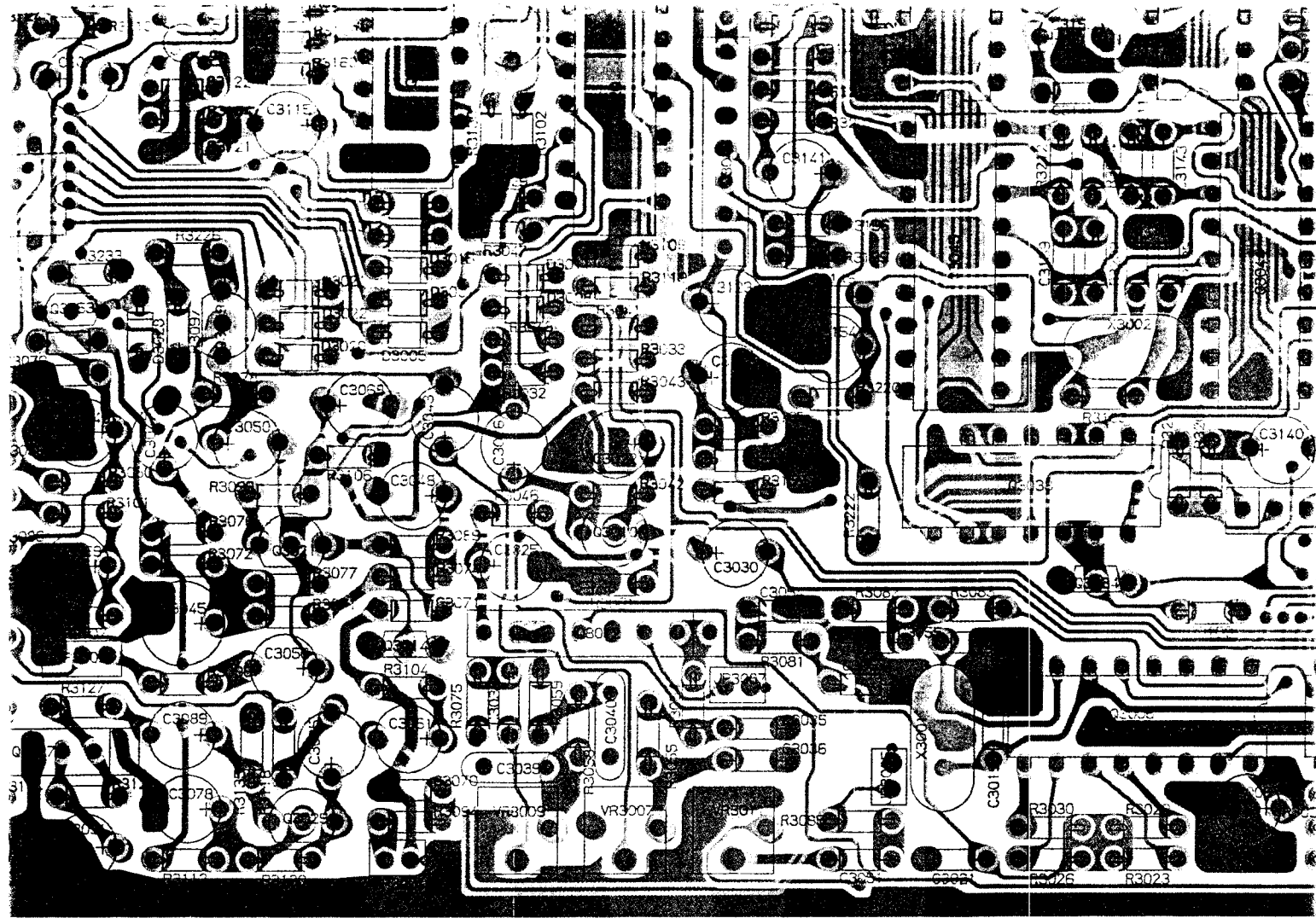


- M5224P  
(Q3004, 3013)



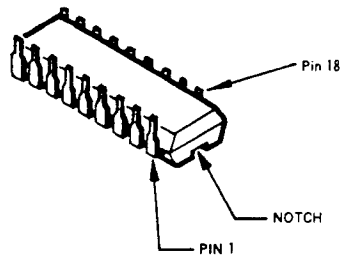
- TDA2003  
(Q3026)



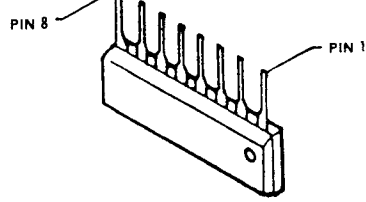


PIN 16

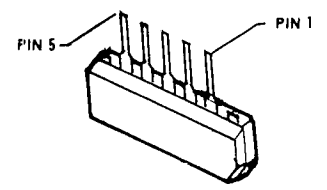
NOTCH



S3528B  
(Q3044)  
S3529B  
(Q3045)



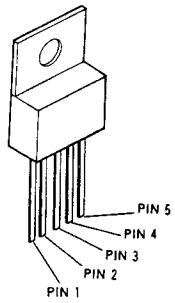
M5218AL  
(Q3046, 3049)  
M5223L  
(Q3012)



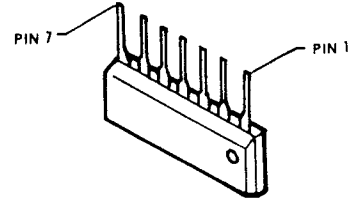
TA7060AP  
(Q3027)

Pin 14

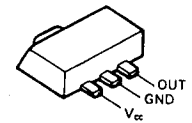
NOTCH



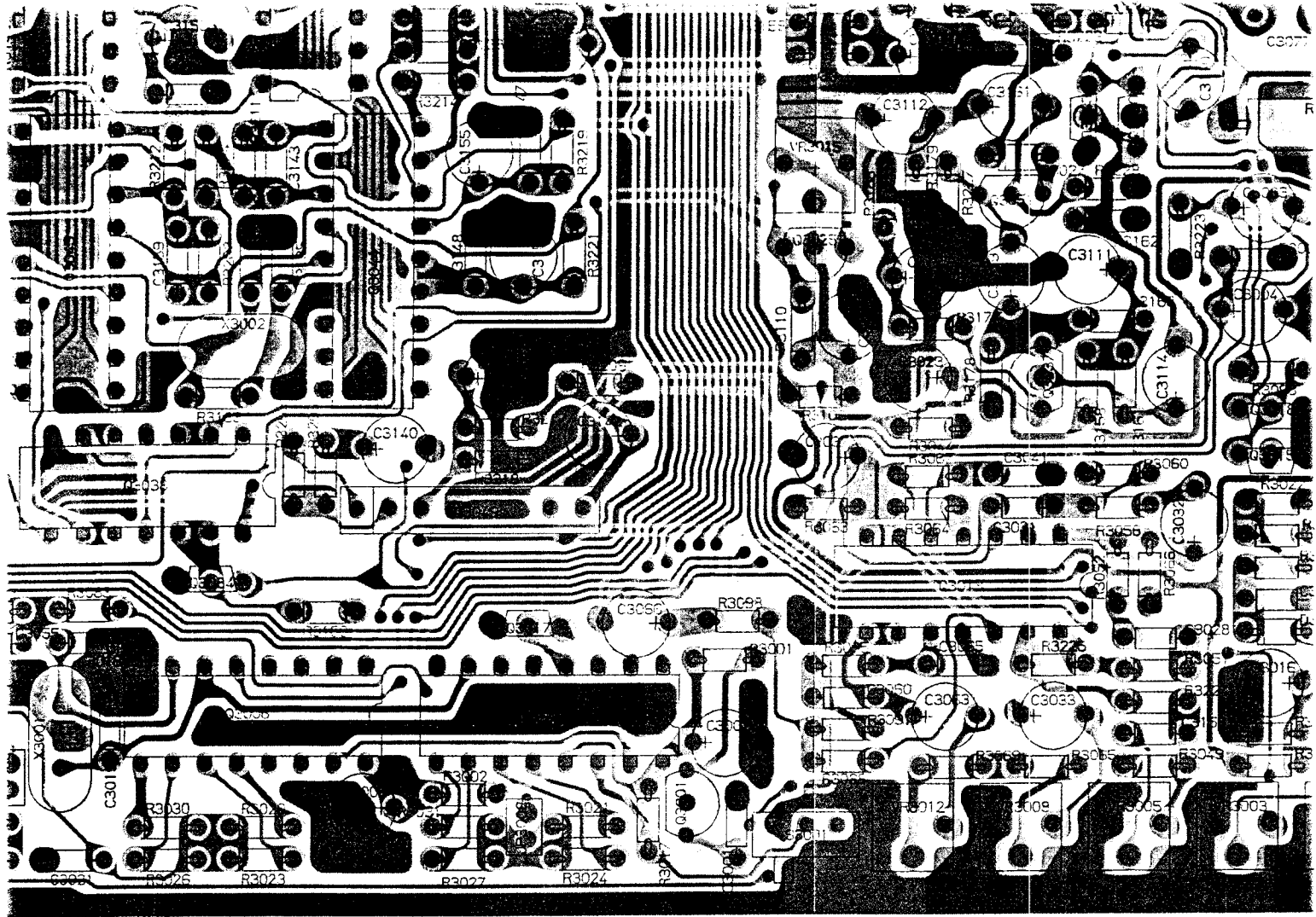
TDA2003  
(Q3026)



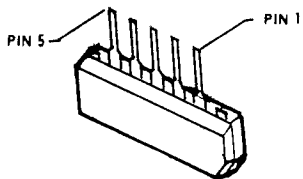
$\mu$ PC1037H  
(Q3028)



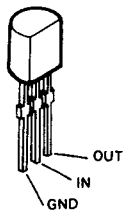
M51943BSL (A4)  
(Q3001)



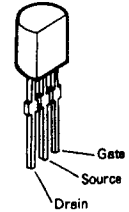
For Service Manuals Contact  
**MAURITRON TECHNICAL SERVICES**  
 8 Cherry Tree Rd, Chinnor  
 Oxon OX9 4QY  
 Tel: 01844-351694 Fax: 01844-352554  
 Email: enquiries@mauritron.co.uk



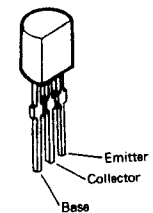
TA7060AP  
(Q3027)



μPC79L05J  
(Q3048)

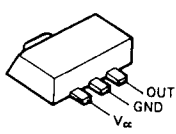


2SK104J  
(Q3051)

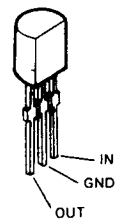


2SC458  
(Q3009, 3010, 3011,  
3016, 3019, 3021,  
3022, 3024, 3025,  
3029, 3030, 3032,  
3037, 3041, 3042)

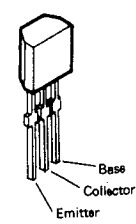
BA1  
(Q3016)  
BA1  
(Q3019)



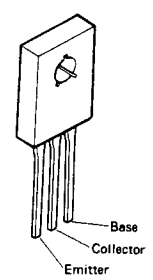
M51943BSL (A4)  
(Q3001)



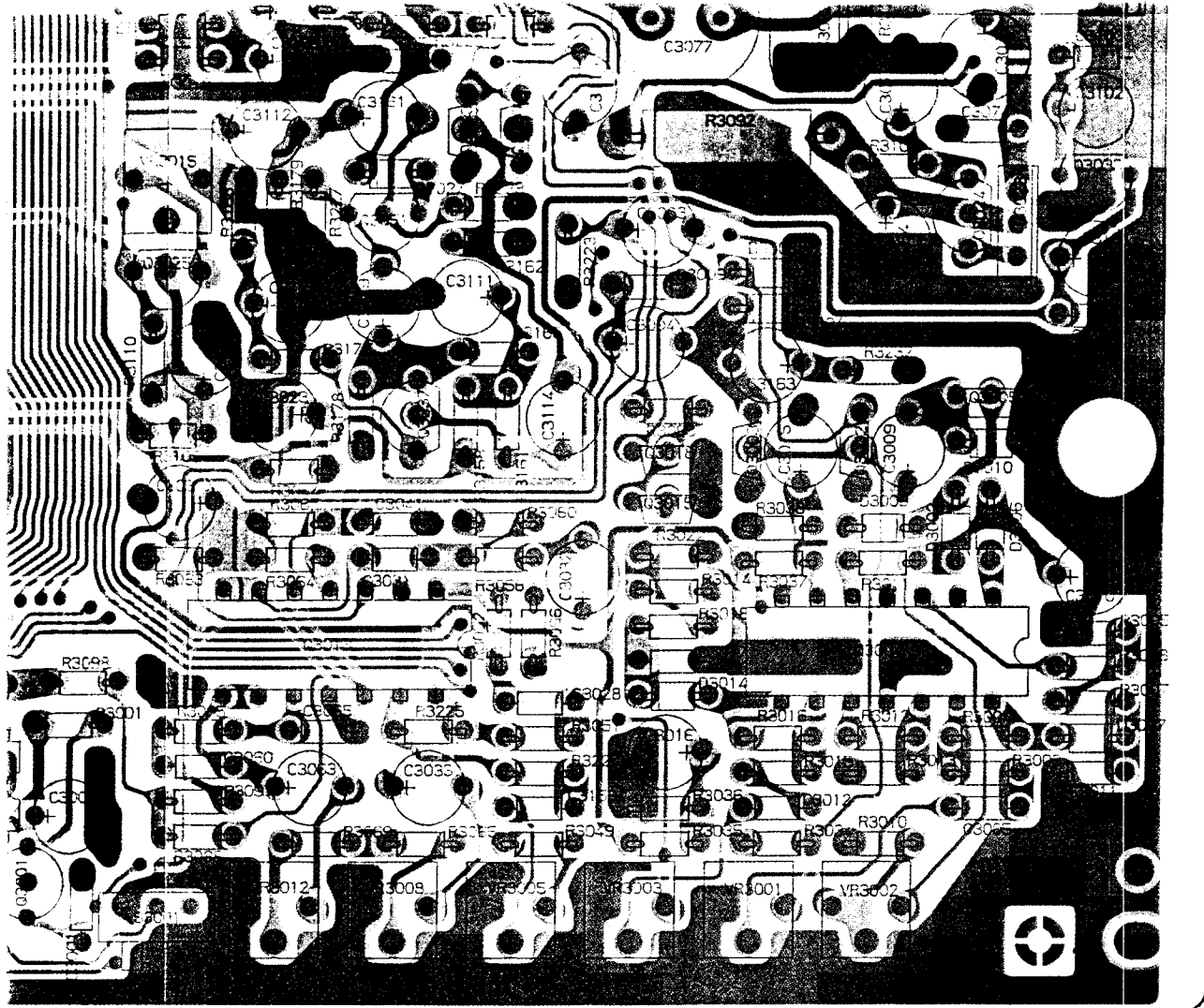
μPC78L08J  
(Q3033)



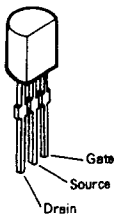
2SA1115E  
(Q3053)



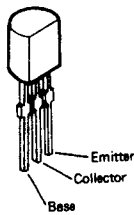
2SD882P  
(Q3023)



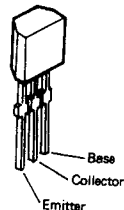
("component" side)



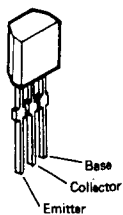
2SK104J  
(Q3051)



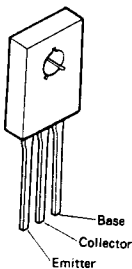
2SC458  
(Q3009, 3010, 3011,  
3016, 3019, 3021,  
3022, 3024, 3025,  
3029, 3030, 3032,  
3037, 3041, 3042)



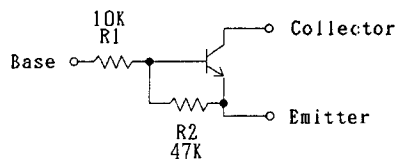
BA1A4P  
(Q3002, 3003, 3005, 3014, 3015, 3017, 3018, 3034)  
BA1L4L  
(Q3035, 3043, 3050, 3052)



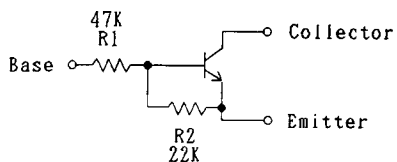
2SA1115E  
(Q3053)



2SD882P  
(Q3023)

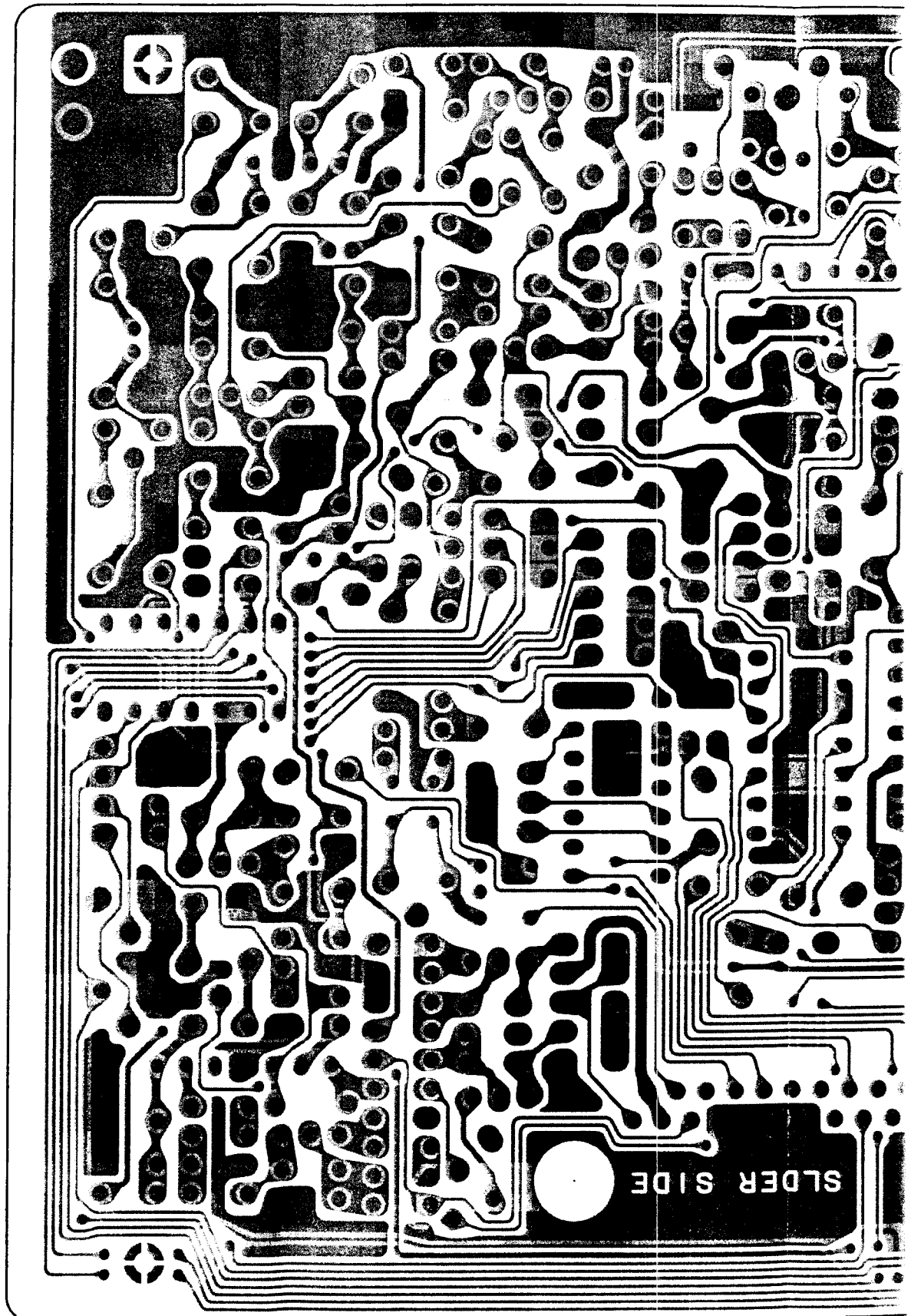


BA1A4P CIRCUIT DIAGRAM

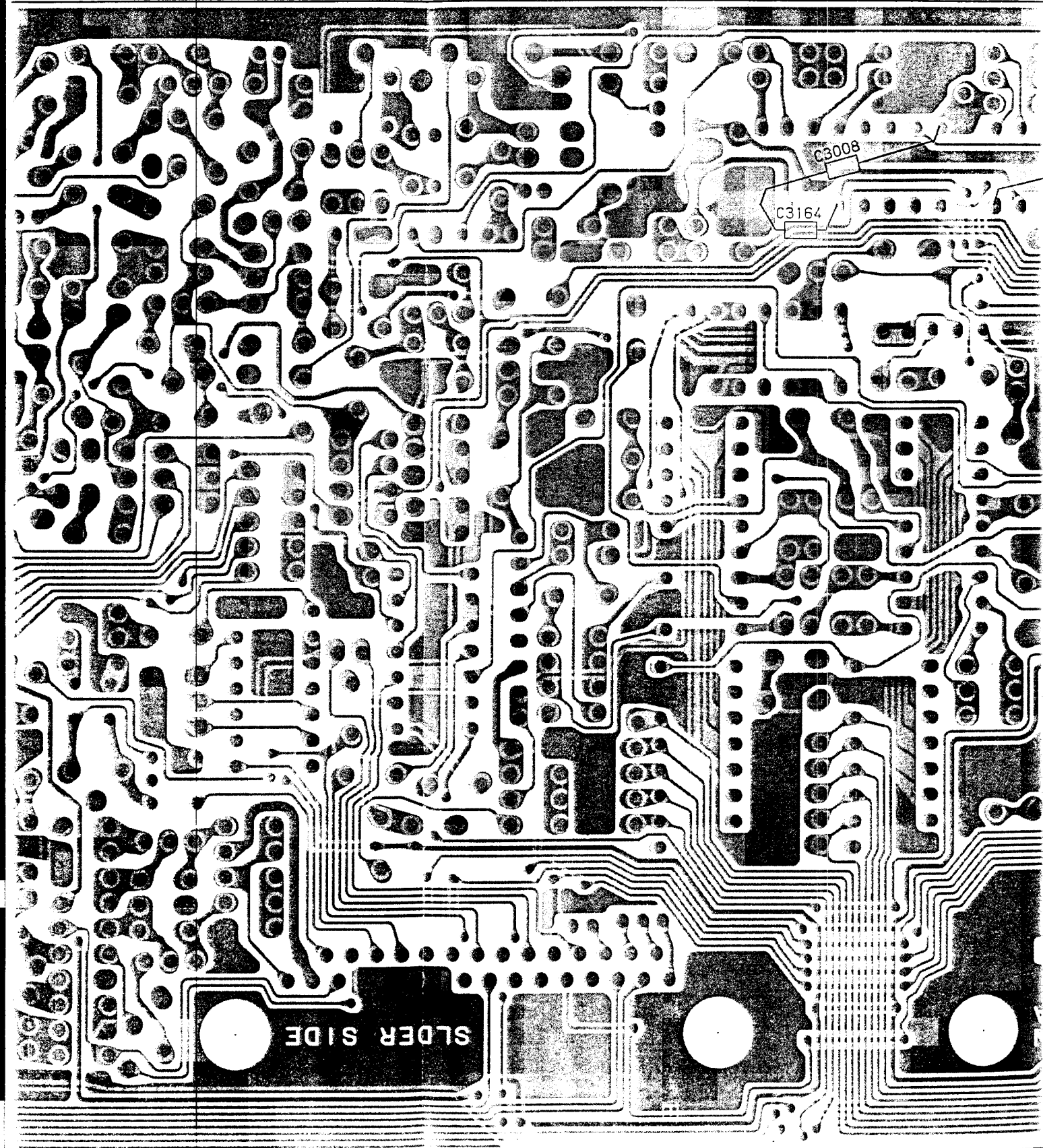


BA1L4L CIRCUIT DIAGRAM

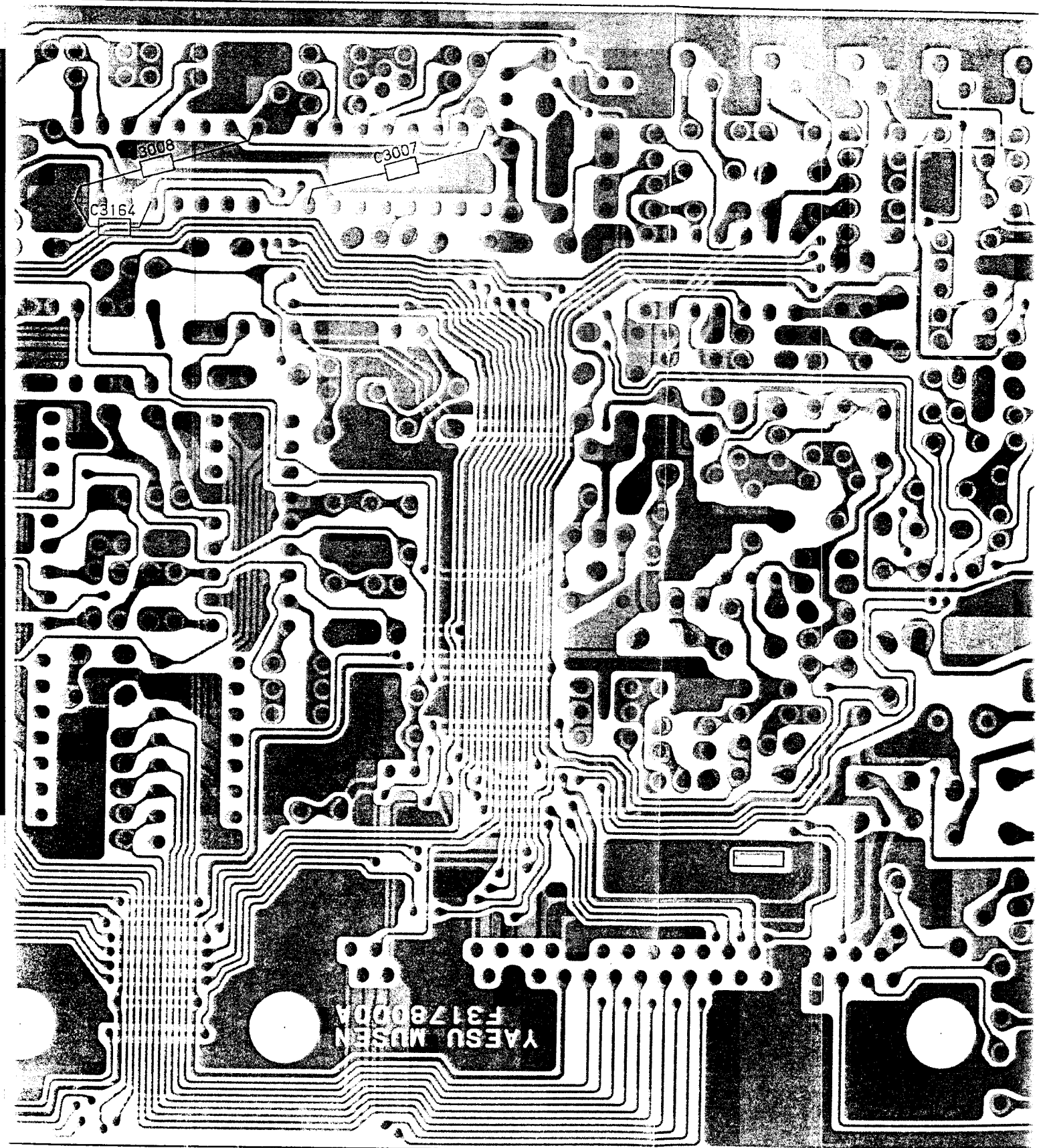
AF Unit

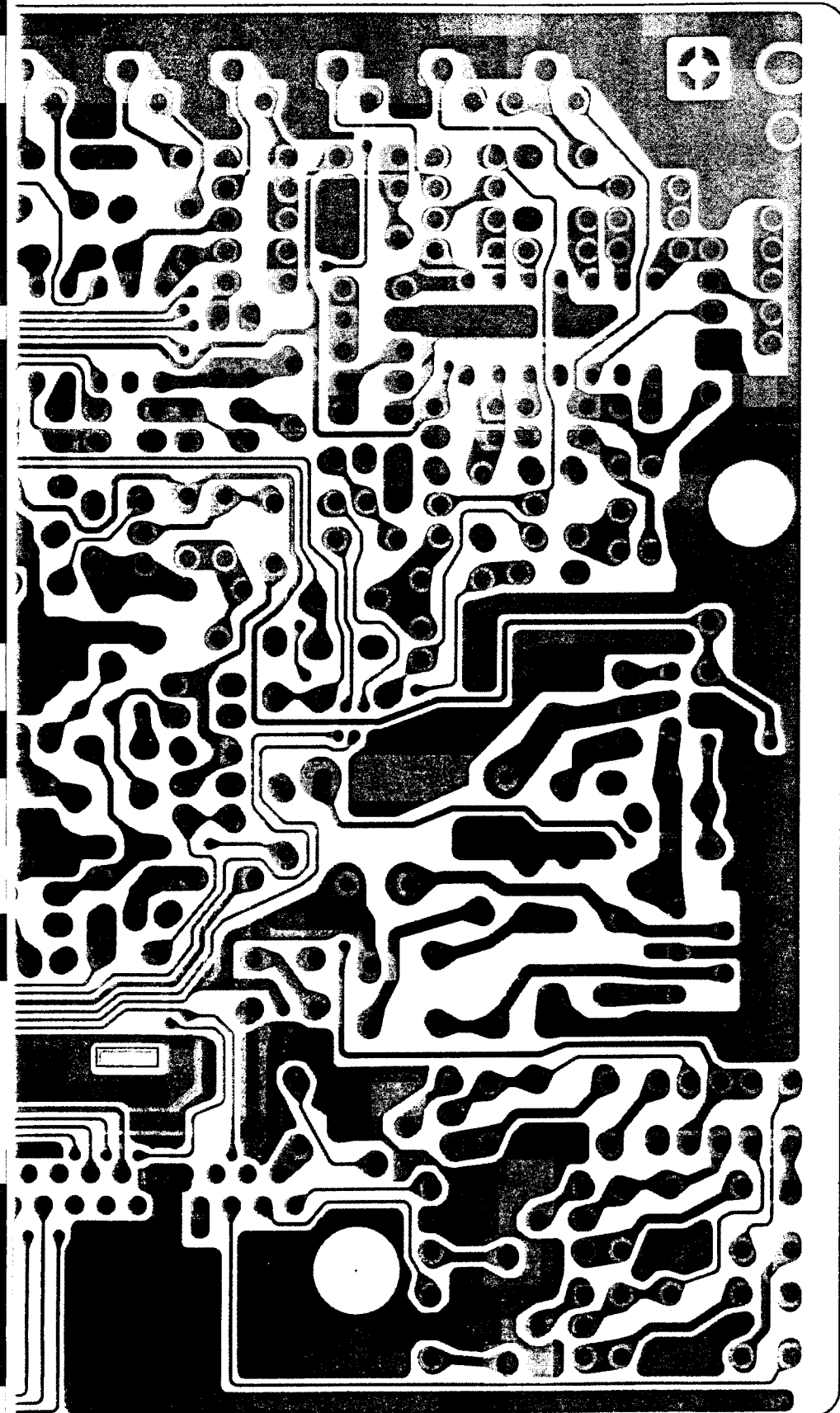


For Service Manuals Contact  
MAURITRON TECHNICAL SERVICES  
8 Cherry Tree Rd, Chinnor  
Oxon OX9 4QY  
Tel:- 01844-351694 Fax:- 01844-352554  
Email:- enquiries@mauritron.co.uk

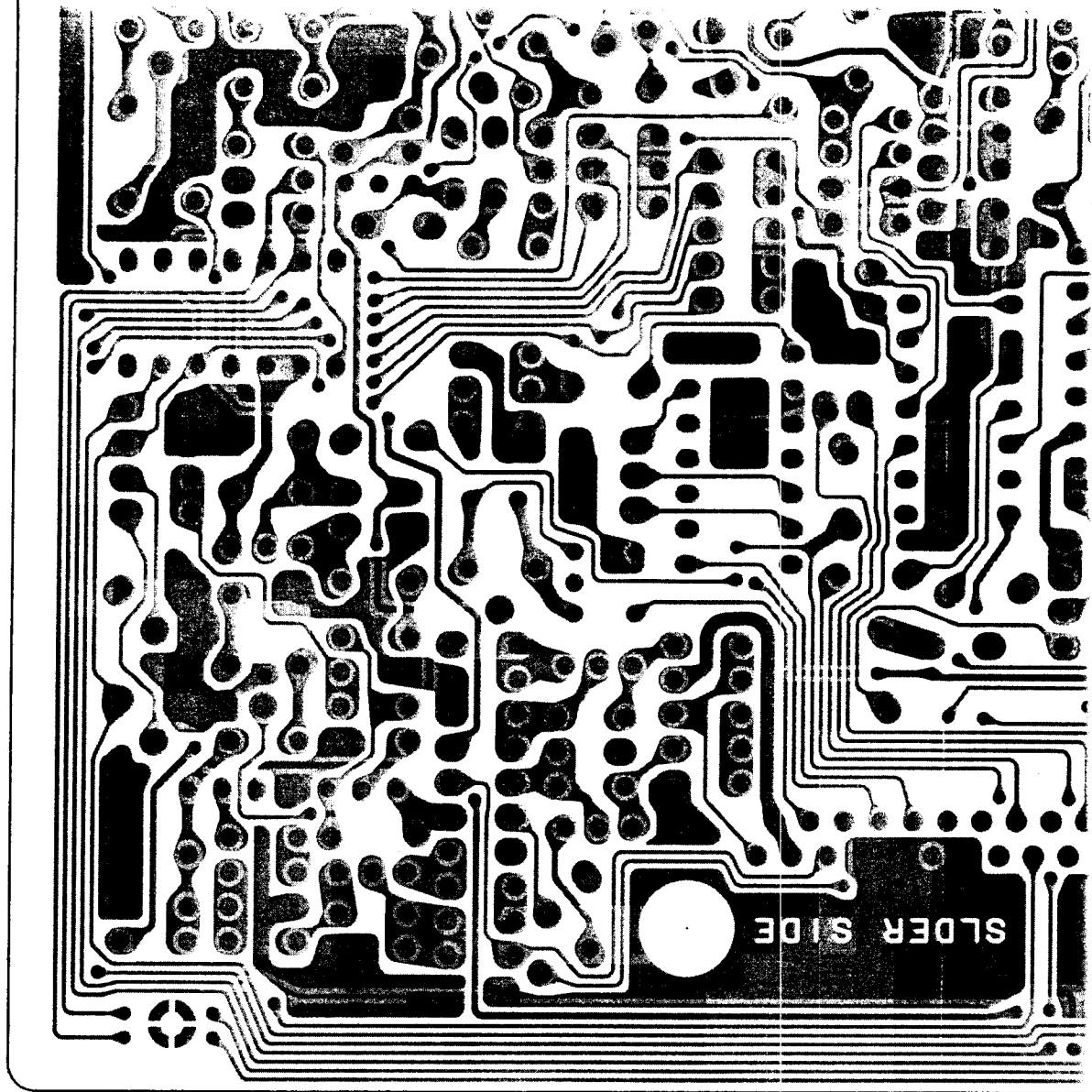




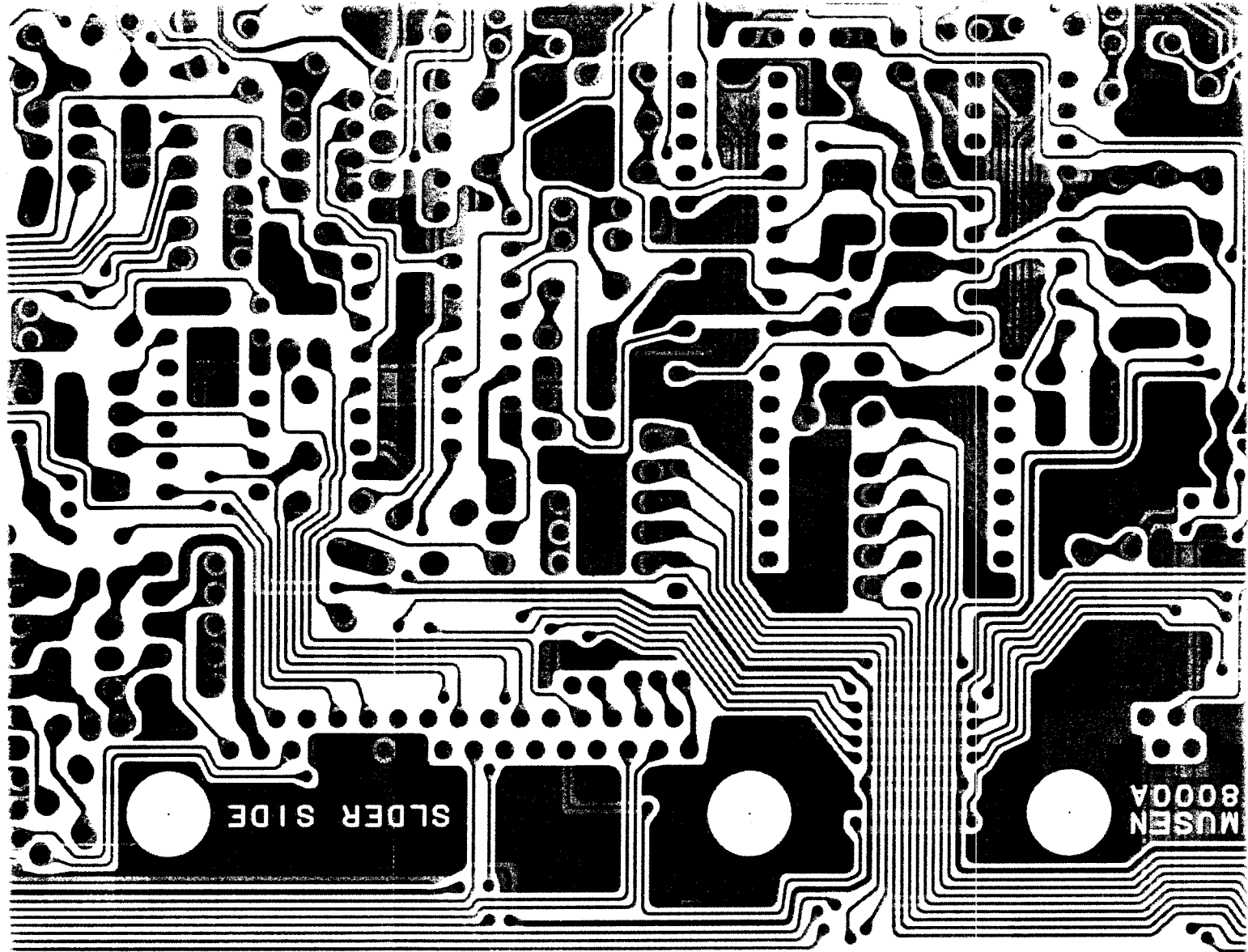




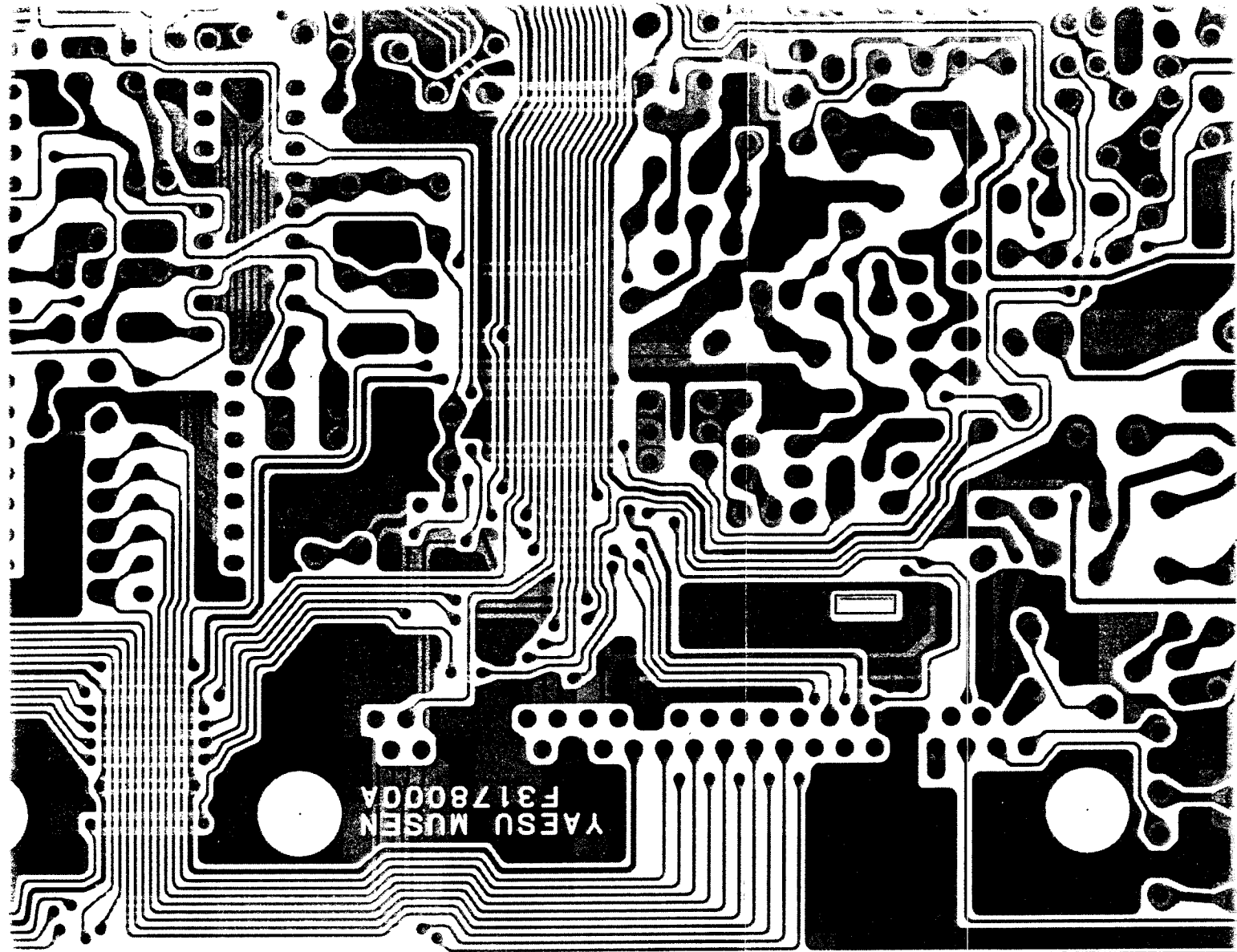
("chip only" side)



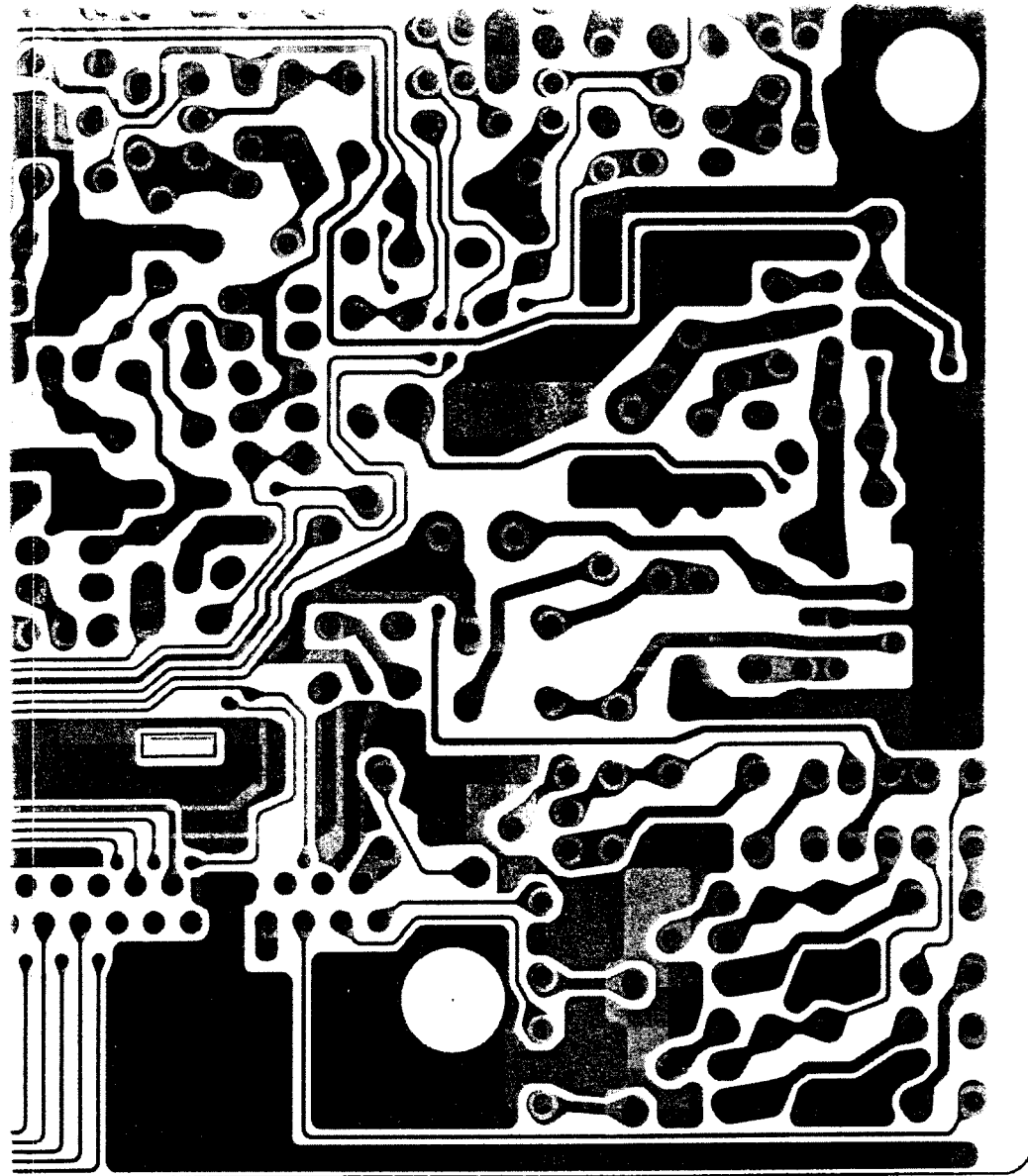




For Service Manuals Contact  
MAURITRON TECHNICAL SERVICES  
8 Cherry Tree Rd, Chinnor  
Oxon OX9 4QY  
Tel: 01844-351694 Fax: 01844-352554  
Email: enquiries@maurtron.co.uk



YAESU MUSEN  
F3178000A



(“chip only” side)

REF.	YAESU P/N	DESCRIPTION	MFGR'S DESIG	VALUE	WV	TOL.	VERS.
		*** AF UNIT ***					
	CA0501001	P.C.B. W COMP.					
	F3178000A	P.C.B. W/O COMP.					
			For Service Manuals Contact MAURITRON TECHNICAL SERVICES 8 Cherry Tree Rd, Chinnor Oxon OX9 4QY Tel:- 01844-351694 Fax:- 01844-352554 Email:- enquiries@mauritron.co.uk				
C 3001	K28129001	CERAMIC CAP.	EP050Y103N-A	0.01uF	16V		Y
C 3002	K46170017	AL. ELECTRO. CAP.	50V010M5X11TR5	1uF	50V		
C 3003	K46170022	AL. ELECTRO. CAP.	50V220M5X11TR5	22uF	50V		
C 3004	K46170022	AL. ELECTRO. CAP.	50V220M5X11TR5	22uF	50V		
C 3005	K28179002	CERAMIC CAP.	UP050F473Z-A-B	0.047uF	50V		F
C 3006	K46170017	AL. ELECTRO. CAP.	50V010M5X11TR5	1uF	50V		
C 3007	K28179002	CERAMIC CAP.	UP050F473Z-A-B	0.047uF	50V		F
C 3008	K28179002	CERAMIC CAP.	UP050F473Z-A-B	0.047uF	50V		F
C 3009	K46170021	AL. ELECTRO. CAP.	50V100M5X11TR5	10uF	50V		
C 3010	K46170020	AL. ELECTRO. CAP.	50V4R7M5X11TR5	4.7uF	50V		
C 3011	K28179002	CERAMIC CAP.	UP050F473Z-A-B	0.047uF	50V		F
C 3012	K28179002	CERAMIC CAP.	UP050F473Z-A-B	0.047uF	50V		F
C 3013	K46170021	AL. ELECTRO. CAP.	50V100M5X11TR5	10uF	50V		
C 3014	K46170017	AL. ELECTRO. CAP.	50V010M5X11TR5	1uF	50V		
C 3015	K46170021	AL. ELECTRO. CAP.	50V100M5X11TR5	10uF	50V		
C 3016	K46170021	AL. ELECTRO. CAP.	50V100M5X11TR5	10uF	50V		
C 3017	K28179002	CERAMIC CAP.	UP050F473Z-A-B	0.047uF	50V		F
C 3018	K28179073	CERAMIC CAP.	UP050SL390J-A-B	39pF	50V		SL
C 3019	K28179073	CERAMIC CAP.	UP050SL390J-A-B	39pF	50V		SL
C 3020	K46170017	AL. ELECTRO. CAP.	50V010M5X11TR5	1uF	50V		
C 3021	K28129001	CERAMIC CAP.	EP050Y103N-A	0.01uF	16V		Y
C 3022	K46170021	AL. ELECTRO. CAP.	50V100M5X11TR5	10uF	50V		
C 3023	K46170021	AL. ELECTRO. CAP.	50V100M5X11TR5	10uF	50V		
C 3024	K46170021	AL. ELECTRO. CAP.	50V100M5X11TR5	10uF	50V		
C 3025	K46170021	AL. ELECTRO. CAP.	50V100M5X11TR5	10uF	50V		
C 3026	K46170017	AL. ELECTRO. CAP.	50V010M5X11TR5	1uF	50V		
C 3027	K46170017	AL. ELECTRO. CAP.	50V010M5X11TR5	1uF	50V		
C 3028	K28129005	CERAMIC CAP.	EP050X472M-A-B	0.0047uF	16V		X
C 3029	K46170017	AL. ELECTRO. CAP.	50V010M5X11TR5	1uF	50V		
C 3030	K46170020	AL. ELECTRO. CAP.	50V4R7M5X11TR5	4.7uF	50V		
C 3031	K28129006	CERAMIC CAP.	EP050X682M-A-B	0.0068uF	16V		X
C 3032	K46170017	AL. ELECTRO. CAP.	50V010M5X11TR5	1uF	50V		
C 3033	K46170017	AL. ELECTRO. CAP.	50V010M5X11TR5	1uF	50V		
C 3034	K46170017	AL. ELECTRO. CAP.	50V010M5X11TR5	1uF	50V		
C 3035	K28129001	CERAMIC CAP.	EP050Y103N-A	0.01uF	16V		Y
C 3036	K28129001	CERAMIC CAP.	EP050Y103N-A	0.01uF	16V		Y
C 3037	K46170022	AL. ELECTRO. CAP.	50V220M5X11TR5	22uF	50V		
C 3038	K28179001	CERAMIC CAP.	UP050B102K-A-B	0.001uF	50V		B
C 3039	K19149021	CERAMIC CAP.	UAT08X473K-L45AE	0.047uF	25V		X
C 3040	K19149021	CERAMIC CAP.	UAT08X473K-L45AE	0.047uF	25V		X
C 3041	K28129004	CERAMIC CAP.	EP050X332M-A-B	0.0033uF	16V		X
C 3042	K46170021	AL. ELECTRO. CAP.	50V100M5X11TR5	10uF	50V		
C 3043	K46170017	AL. ELECTRO. CAP.	50V010M5X11TR5	1uF	50V		
C 3044	K46170017	AL. ELECTRO. CAP.	50V010M5X11TR5	1uF	50V		
C 3045	K46140005	AL. ELECTRO. CAP.	25V101M6X11TR5	100uF	25V		
C 3046	K46170017	AL. ELECTRO. CAP.	50V010M5X11TR5	1uF	50V		
C 3047	K46170021	AL. ELECTRO. CAP.	50V100M5X11TR5	10uF	50V		
C 3048	K46170021	AL. ELECTRO. CAP.	50V100M5X11TR5	10uF	50V		
C 3049	K46170022	AL. ELECTRO. CAP.	50V220M5X11TR5	22uF	50V		

# AF Unit

REF.	YAESU P/N	DESCRIPTION	MFGR'S DESIG	VALUE	WV	TOL.	VERS.
C 3050	K46170017	AL. ELECTRO. CAP.	50V010M5X11TR5	1uF	50V		
C 3051	K28129001	CERAMIC CAP.	EP050Y103N-A	0.01uF	16V	Y	
C 3052	K28129001	CERAMIC CAP.	EP050Y103N-A	0.01uF	16V	Y	
C 3053	K28129001	CERAMIC CAP.	EP050Y103N-A	0.01uF	16V	Y	
C 3054	K28129001	CERAMIC CAP.	EP050Y103N-A	0.01uF	16V	Y	
C 3055	K28129001	CERAMIC CAP.	EP050Y103N-A	0.01uF	16V	Y	
C 3056	K46170020	AL. ELECTRO. CAP.	50V4R7M5X11TR5	4.7uF	50V		
C 3058	K28179083	CERAMIC CAP.	UP050B221K-A-B	220pF	50V	B	
C 3059	K46170017	AL. ELECTRO. CAP.	50V010M5X11TR5	1uF	50V		
C 3060	K28129001	CERAMIC CAP.	EP050Y103N-A	0.01uF	16V	Y	
C 3061	K46170017	AL. ELECTRO. CAP.	50V010M5X11TR5	1uF	50V		
C 3062	K46170017	AL. ELECTRO. CAP.	50V010M5X11TR5	1uF	50V		
C 3063	K46170017	AL. ELECTRO. CAP.	50V010M5X11TR5	1uF	50V		
C 3064	K46140005	AL. ELECTRO. CAP.	25V101M6X11TR5	100uF	25V		
C 3065	K28129005	CERAMIC CAP.	EP050X472M-A-B	0.0047uF	16V	X	
C 3066	K46170021	AL. ELECTRO. CAP.	50V100M5X11TR5	10uF	50V		
C 3068	K46170021	AL. ELECTRO. CAP.	50V100M5X11TR5	10uF	50V		
C 3069	K46170021	AL. ELECTRO. CAP.	50V100M5X11TR5	10uF	50V		
C 3070	K28179001	CERAMIC CAP.	UP050B102K-A-B	0.001uF	50V	B	
C 3071	K28179001	CERAMIC CAP.	UP050B102K-A-B	0.001uF	50V	B	
C 3072	K46140004	AL. ELECTRO. CAP.	25V470M5X11TR5	47uF	25V		
C 3073	K46140005	AL. ELECTRO. CAP.	25V101M6X11TR5	100uF	25V		
C 3074	K28129001	CERAMIC CAP.	EP050Y103N-A	0.01uF	16V	Y	
C 3075	K46170021	AL. ELECTRO. CAP.	50V100M5X11TR5	10uF	50V		
C 3076	K46170017	AL. ELECTRO. CAP.	50V010M5X11TR5	1uF	50V		
C 3077	K40129049	AL. ELECTRO. CAP.	RE2-16V471M	470uF	16V		
C 3078	K46170021	AL. ELECTRO. CAP.	50V100M5X11TR5	10uF	50V		
C 3079	K46100006	AL. ELECTRO. CAP.	10V471M8X11TR5	470uF	10V		
C 3080	K46170021	AL. ELECTRO. CAP.	50V100M5X11TR5	10uF	50V		
C 3081	K46170017	AL. ELECTRO. CAP.	50V010M5X11TR5	1uF	50V		
C 3082	K56170063	CAP.	50F2Z104MTP	0.1	50V		
C 3083	K28129001	CERAMIC CAP.	EP050Y103N-A	0.01uF	16V	Y	
C 3084	K28129001	CERAMIC CAP.	EP050Y103N-A	0.01uF	16V	Y	
C 3085	K46170017	AL. ELECTRO. CAP.	50V010M5X11TR5	1uF	50V		
C 3086	K46170017	AL. ELECTRO. CAP.	50V010M5X11TR5	1uF	50V		
C 3087	K46170017	AL. ELECTRO. CAP.	50V010M5X11TR5	1uF	50V		
C 3088	K28179002	CERAMIC CAP.	UP050F473Z-A-B	0.047uF	50V	F	
C 3089	K46170016	AL. ELECTRO. CAP.	50VR47M5X11TR5	0.47uF	50V		
C 3090	K46170020	AL. ELECTRO. CAP.	50V4R7M5X11TR5	4.7uF	50V		
C 3091	K46170021	AL. ELECTRO. CAP.	50V100M5X11TR5	10uF	50V		
C 3092	K46170021	AL. ELECTRO. CAP.	50V100M5X11TR5	10uF	50V		
C 3093	K46170017	AL. ELECTRO. CAP.	50V010M5X11TR5	1uF	50V		
C 3094	K28129001	CERAMIC CAP.	EP050Y103N-A	0.01uF	16V	Y	
C 3095	K28129001	CERAMIC CAP.	EP050Y103N-A	0.01uF	16V	Y	
C 3096	K26170757	CERAMIC CAP.	DD310-979BC333M50	0.033uF	50V	BC	
C 3097	K26170757	CERAMIC CAP.	DD310-979BC333M50	0.033uF	50V	BC	
C 3098	K28179001	CERAMIC CAP.	UP050B102K-A-B	0.001uF	50V	B	
C 3099	K28129001	CERAMIC CAP.	EP050Y103N-A	0.01uF	16V	Y	
C 3100	K46170021	AL. ELECTRO. CAP.	50V100M5X11TR5	10uF	50V		
C 3101	K46170021	AL. ELECTRO. CAP.	50V100M5X11TR5	10uF	50V		
C 3102	K46170021	AL. ELECTRO. CAP.	50V100M5X11TR5	10uF	50V		
C 3103	K28179001	CERAMIC CAP.	UP050B102K-A-B	0.001uF	50V	B	
C 3104	K28179001	CERAMIC CAP.	UP050B102K-A-B	0.001uF	50V	B	
C 3105	K28129001	CERAMIC CAP.	EP050Y103N-A	0.01uF	16V	Y	
C 3106	K28129001	CERAMIC CAP.	EP050Y103N-A	0.01uF	16V	Y	

REF.	YAESU P/N	DESCRIPTION	MFGR'S DESIG	VALUE	WV	TOL.	VERS.
C 3109	K46170018	AL. ELECTRO. CAP.	50V2R2M5X11TR5	2. 2uF	50V		
C 3110	K46170017	AL. ELECTRO. CAP.	50V010M5X11TR5	1uF	50V		
C 3111	K46170021	AL. ELECTRO. CAP.	50V100M5X11TR5	10uF	50V		
C 3112	K46170017	AL. ELECTRO. CAP.	50V010M5X11TR5	1uF	50V		
C 3113	K28179003	CERAMIC CAP.	UP050F104Z-A-B	0. 1uF	50V	F	
C 3114	K46170017	AL. ELECTRO. CAP.	50V010M5X11TR5	1uF	50V		
C 3115	K46170017	AL. ELECTRO. CAP.	50V010M5X11TR5	1uF	50V		
C 3118	K46170021	AL. ELECTRO. CAP.	50V100M5X11TR5	10uF	50V		
C 3119	K46170017	AL. ELECTRO. CAP.	50V010M5X11TR5	1uF	50V		
C 3120	K28179003	CERAMIC CAP.	UP050F104Z-A-B	0. 1uF	50V	F	
C 3121	K28129001	CERAMIC CAP.	EP050Y103N-A	0. 01uF	16V	Y	
C 3122	K28179002	CERAMIC CAP.	UP050F473Z-A-B	0. 047uF	50V	F	
C 3123	K46170021	AL. ELECTRO. CAP.	50V100M5X11TR5	10uF	50V		
C 3125	K28129001	CERAMIC CAP.	EP050Y103N-A	0. 01uF	16V	Y	
C 3127	K46170021	AL. ELECTRO. CAP.	50V100M5X11TR5	10uF	50V		
C 3130	K28129001	CERAMIC CAP.	EP050Y103N-A	0. 01uF	16V	Y	
C 3131	K28129001	CERAMIC CAP.	EP050Y103N-A	0. 01uF	16V	Y	
C 3133	K28129001	CERAMIC CAP.	EP050Y103N-A	0. 01uF	16V	Y	
C 3134	K46170017	AL. ELECTRO. CAP.	50V010M5X11TR5	1uF	50V		
C 3135	K28179028	CERAMIC CAP.	UP050SL270J-A-B	27pF	50V	SL	
C 3136	K28179028	CERAMIC CAP.	UP050SL270J-A-B	27pF	50V	SL	
C 3137	K28129005	CERAMIC CAP.	EP050X472M-A-B	0. 0047uF	16V	X	
C 3138	K28179001	CERAMIC CAP.	UP050B102K-A-B	0. 001uF	50V	B	
C 3139	K28179001	CERAMIC CAP.	UP050B102K-A-B	0. 001uF	50V	B	
C 3140	K46170017	AL. ELECTRO. CAP.	50V010M5X11TR5	1uF	50V		
C 3141	K46170017	AL. ELECTRO. CAP.	50V010M5X11TR5	1uF	50V		
C 3142	K46170021	AL. ELECTRO. CAP.	50V100M5X11TR5	10uF	50V		
C 3143	K28179001	CERAMIC CAP.	UP050B102K-A-B	0. 001uF	50V	B	
C 3144	K28179001	CERAMIC CAP.	UP050B102K-A-B	0. 001uF	50V	B	
C 3145	K28129001	CERAMIC CAP.	EP050Y103N-A	0. 01uF	16V	Y	
C 3146	K28129001	CERAMIC CAP.	EP050Y103N-A	0. 01uF	16V	Y	
C 3147	K28129001	CERAMIC CAP.	EP050Y103N-A	0. 01uF	16V	Y	
C 3148	K28129001	CERAMIC CAP.	EP050Y103N-A	0. 01uF	16V	Y	
C 3149	K46170021	AL. ELECTRO. CAP.	50V100M5X11TR5	10uF	50V		
C 3150	K28129001	CERAMIC CAP.	EP050Y103N-A	0. 01uF	16V	Y	
C 3151	K28129001	CERAMIC CAP.	EP050Y103N-A	0. 01uF	16V	Y	
C 3152	K46170021	AL. ELECTRO. CAP.	50V100M5X11TR5	10uF	50V		
C 3153	K46170021	AL. ELECTRO. CAP.	50V100M5X11TR5	10uF	50V		
C 3154	K46170021	AL. ELECTRO. CAP.	50V100M5X11TR5	10uF	50V		
C 3155	K46170021	AL. ELECTRO. CAP.	50V100M5X11TR5	10uF	50V		
C 3156	K46170021	AL. ELECTRO. CAP.	50V100M5X11TR5	10uF	50V		
C 3157	K46170021	AL. ELECTRO. CAP.	50V100M5X11TR5	10uF	50V		
C 3158	K46170017	AL. ELECTRO. CAP.	50V010M5X11TR5	1uF	50V		
C 3159	K28179003	CERAMIC CAP.	UP050F104Z-A-B	0. 1uF	50V	F	
C 3160	K28129001	CERAMIC CAP.	EP050Y103N-A	0. 01uF	16V	Y	
C 3161	K46170017	AL. ELECTRO. CAP.	50V010M5X11TR5	1uF	50V		
C 3163	K46170022	AL. ELECTRO. CAP.	50V220M5X11TR5	22uF	50V		
C 3164	K28179002	CERAMIC CAP.	UP050F473Z-A-B	0. 047uF	50V	F	
D 3001	G2060004	DIODE	1SS270TJ				
D 3002	G2060004	DIODE	1SS270TJ				
D 3003	G2060004	DIODE	1SS270TJ				
D 3004	G2060004	DIODE	1SS270TJ				
D 3005	G2060004	DIODE	1SS270TJ				
D 3006	G2060004	DIODE	1SS270TJ				

For Service Manuals Contact  
MAURITRON TECHNICAL SERVICES  
8 Cherry Tree Rd, Chinnor  
Oxon OX9 4QY  
Tel:- 01844-351694 Fax:- 01844-352554  
Email:- enquiries@mauritron.co.uk

# AF Unit

REF.	YAESU P/N	DESCRIPTION	MFR'S DESIG	VALUE	WV	TOL.	VERS.
D 3007	G2060004	DIODE	1SS270TJ				
D 3008	G2060004	DIODE	1SS270TJ				
D 3009	G2060004	DIODE	1SS270TJ				
D 3010	G2060004	DIODE	1SS270TJ				
D 3011	G2060004	DIODE	1SS270TJ				
D 3012	G2060004	DIODE	1SS270TJ				
D 3013	G2060004	DIODE	1SS270TJ				
D 3014	G2060004	DIODE	1SS270TJ				
D 3015	G2060004	DIODE	1SS270TJ				
D 3016	G2060004	DIODE	1SS270TJ				
D 3017	G2060004	DIODE	1SS270TJ				
D 3018	G2060004	DIODE	1SS270TJ				
D 3020	G2060004	DIODE	1SS270TJ				
D 3021	G2060004	DIODE	1SS270TJ				
D 3022	G2060004	DIODE	1SS270TJ				
D 3026	G2060004	DIODE	1SS270TJ				
D 3027	G2060004	DIODE	1SS270TJ				
D 3028	G2060004	DIODE	1SS270TJ				
D 3029	G2060004	DIODE	1SS270TJ				
D 3030	G2060004	DIODE	1SS270TJ				
DB3001	G2090247	DIODE	ND487C1-3R				
J 3001	P0090745	CONNECTOR	PCN5D-45PT-1.27DS				
J 3002	P0090744	CONNECTOR	PCN5D-31PT-1.27DS				
JP3001	T9206074	WIRE-ASSY					
JP3003	T9206075	WIRE-ASSY					
JP3005	T9206079	WIRE-ASSY					
JP3007	T9206078	WIRE-ASSY					
L 3001	L1190102	M. RFC	S17-104K	100m			
Q 3001	G1090840	IC	M51943BSL				
Q 3002	G3050003	TRANSISTOR	BA1A4P-T				
Q 3003	G3050003	TRANSISTOR	BA1A4P-T				
Q 3004	G1090757	IC	M5224P				
Q 3005	G3050003	TRANSISTOR	BA1A4P-T				
Q 3006	G1091001	IC	MB88202H-635M				
Q 3007	G1091000	IC	MB88202H-634M				
Q 3008	G1090283	IC	UPD4066BC				
Q 3009	G3304584B	TRANSISTOR	2SC458BTZ				
Q 3010	G3304584B	TRANSISTOR	2SC458BTZ				
Q 3011	G3304584B	TRANSISTOR	2SC458BTZ				
Q 3012	G1090988	IC	M5223L				
Q 3013	G1090757	IC	M5224P				
Q 3014	G3050003	TRANSISTOR	BA1A4P-T				
Q 3015	G3050003	TRANSISTOR	BA1A4P-T				
Q 3016	G3304584B	TRANSISTOR	2SC458BTZ				
Q 3017	G3050003	TRANSISTOR	BA1A4P-T				
Q 3018	G3050003	TRANSISTOR	BA1A4P-T				
Q 3019	G3304584B	TRANSISTOR	2SC458BTZ				
Q 3020	G1090283	IC	UPD4066BC				
Q 3021	G3304584B	TRANSISTOR	2SC458BTZ				
Q 3022	G3304584B	TRANSISTOR	2SC458BTZ				
Q 3023	G3408820P	TRANSISTOR	2SD882P				

REF.	YAESU P/N	DESCRIPTION	MFGR'S DESIG	VALUE	WV	TOL.	VERS.
Q 3024	G3304584B	TRANSISTOR	2SC458BTZ				
Q 3025	G3304584B	TRANSISTOR	2SC458BTZ				
Q 3026	G1090769	IC	TDA2003				
Q 3027	G1090381	IC	TA7060AP				
Q 3028	G1090101	IC	UPC1037H				
Q 3029	G3304584B	TRANSISTOR	2SC458BTZ				
Q 3030	G3304584B	TRANSISTOR	2SC458BTZ				
Q 3031	G1090283	IC	UPD4066BC				
Q 3032	G3304584B	TRANSISTOR	2SC458BTZ				
Q 3033	G1090849	IC	UPC78L08J				
Q 3034	G3050003	TRANSISTOR	BA1A4P-T				
Q 3035	G3050005	TRANSISTOR	BA1L4L-T				
Q 3037	G3304584B	TRANSISTOR	2SC458BTZ				
Q 3038	G1090283	IC	UPD4066BC				
Q 3039	G1091240	IC	TBP18S030N LPF				
Q 3040	G1091241	IC	TBP18S030N HPF				
Q 3041	G3304584B	TRANSISTOR	2SC458BTZ				
Q 3042	G3304584B	TRANSISTOR	2SC458BTZ				
Q 3043	G3050005	TRANSISTOR	BA1L4L-T				
Q 3044	G1091095	IC	S3528B				
Q 3045	G1091096	IC	S3529B				
Q 3046	G1091140	IC	M5218AL				
Q 3048	G1091182	IC	UPC79L05J				
Q 3049	G1091140	IC	M5218AL				
Q 3050	G3050005	TRANSISTOR	BA1L4L-T				
Q 3051	G3801040J	FET	2SK104J				
Q 3052	G3050005	TRANSISTOR	BA1L4L-T				
Q 3053	G3111150E	TRANSISTOR	2SA1115E				
R 3001	J07225101	CARBON FILM RES.	RD16TPJ101	100		1/6W	
R 3002	J07225101	CARBON FILM RES.	RD16TPJ101	100		1/6W	
R 3003	J07225103	CARBON FILM RES.	RD16TPJ103	10K		1/6W	
R 3004	J07225335	CARBON FILM RES.	RD16TPJ335	3. 3M		1/6W	
R 3005	J07225474	CARBON FILM RES.	RD16TPJ474	470K		1/6W	
R 3007	J07225222	CARBON FILM RES.	RD16TPJ222	2. 2K		1/6W	
R 3008	J07225222	CARBON FILM RES.	RD16TPJ222	2. 2K		1/6W	
R 3009	J07225182	CARBON FILM RES.	RD16TPJ182	1. 8K		1/6W	
R 3010	J07225473	CARBON FILM RES.	RD16TPJ473	47K		1/6W	
R 3011	J07225102	CARBON FILM RES.	RD16TPJ102	1K		1/6W	
R 3012	J07225103	CARBON FILM RES.	RD16TPJ103	10K		1/6W	
R 3013	J07225104	CARBON FILM RES.	RD16TPJ104	100K		1/6W	
R 3014	J07225222	CARBON FILM RES.	RD16TPJ222	2. 2K		1/6W	
R 3015	J07225103	CARBON FILM RES.	RD16TPJ103	10K		1/6W	
R 3016	J07225334	CARBON FILM RES.	RD16TPJ334	330K		1/6W	
R 3017	J07225473	CARBON FILM RES.	RD16TPJ473	47K		1/6W	
R 3018	J07225222	CARBON FILM RES.	RD16TPJ222	2. 2K		1/6W	
R 3019	J07225101	CARBON FILM RES.	RD16TPJ101	100		1/6W	
R 3020	J07225104	CARBON FILM RES.	RD16TPJ104	100K		1/6W	
R 3021	J07225104	CARBON FILM RES.	RD16TPJ104	100K		1/6W	
R 3022	J07225474	CARBON FILM RES.	RD16TPJ474	470K		1/6W	
R 3023	J07225224	CARBON FILM RES.	RD16TPJ224	220K		1/6W	
R 3024	J07225224	CARBON FILM RES.	RD16TPJ224	220K		1/6W	
R 3025	J07225104	CARBON FILM RES.	RD16TPJ104	100K		1/6W	
R 3026	J07225394	CARBON FILM RES.	RD16TPJ394	390K		1/6W	
R 3027	J07225394	CARBON FILM RES.	RD16TPJ394	390K		1/6W	

For Service Manuals Contact  
**MAURITRON TECHNICAL SERVICES**  
 8 Cherry Tree Rd, Chinnor  
 Oxon OX9 4QY  
 Tel:- 01844-351694 Fax:- 01844-352554  
 Email:- enquiries@mauritron.co.uk



# AF Unit

REF.	YAESU P/N	DESCRIPTION	MFGR'S DESIG	VALUE	WV	TOL.	VERS.
R 3028	J07225102	CARBON FILM RES.	RD16TPJ102	1K	1/6W		
R 3029	J07225473	CARBON FILM RES.	RD16TPJ473	47K	1/6W		
R 3030	J07225824	CARBON FILM RES.	RD16TPJ824	820K	1/6W		
R 3031	J07225824	CARBON FILM RES.	RD16TPJ824	820K	1/6W		
R 3032	J07225102	CARBON FILM RES.	RD16TPJ102	1K	1/6W		
R 3033	J07225104	CARBON FILM RES.	RD16TPJ104	100K	1/6W		
R 3034	J07225222	CARBON FILM RES.	RD16TPJ222	2.2K	1/6W		
R 3035	J07225103	CARBON FILM RES.	RD16TPJ103	10K	1/6W		
R 3036	J07225103	CARBON FILM RES.	RD16TPJ103	10K	1/6W		
R 3037	J07225103	CARBON FILM RES.	RD16TPJ103	10K	1/6W		
R 3038	J07225472	CARBON FILM RES.	RD16TPJ472	4.7K	1/6W		
R 3041	J07225104	CARBON FILM RES.	RD16TPJ104	100K	1/6W		
R 3042	J07225104	CARBON FILM RES.	RD16TPJ104	100K	1/6W		
R 3043	J07225101	CARBON FILM RES.	RD16TPJ101	100	1/6W		
R 3044	J07225101	CARBON FILM RES.	RD16TPJ101	100	1/6W		
R 3045	J07225101	CARBON FILM RES.	RD16TPJ101	100	1/6W		
R 3046	J07225101	CARBON FILM RES.	RD16TPJ101	100	1/6W		
R 3047	J07225473	CARBON FILM RES.	RD16TPJ473	47K	1/6W		
R 3048	J07225103	CARBON FILM RES.	RD16TPJ103	10K	1/6W		
R 3049	J07225222	CARBON FILM RES.	RD16TPJ222	2.2K	1/6W		
R 3050	J07225104	CARBON FILM RES.	RD16TPJ104	100K	1/6W		
R 3051	J07225472	CARBON FILM RES.	RD16TPJ472	4.7K	1/6W		
R 3052	J07225335	CARBON FILM RES.	RD16TPJ335	3.3M	1/6W		
R 3053	J07225102	CARBON FILM RES.	RD16TPJ102	1K	1/6W		
R 3054	J07225332	CARBON FILM RES.	RD16TPJ332	3.3K	1/6W		
R 3055	J07225332	CARBON FILM RES.	RD16TPJ332	3.3K	1/6W		
R 3056	J07225123	CARBON FILM RES.	RD16TPJ123	12K	1/6W		
R 3058	J07225332	CARBON FILM RES.	RD16TPJ332	3.3K	1/6W		
R 3059	J07225332	CARBON FILM RES.	RD16TPJ332	3.3K	1/6W		
R 3060	J07225123	CARBON FILM RES.	RD16TPJ123	12K	1/6W		
R 3061	J07225102	CARBON FILM RES.	RD16TPJ102	1K	1/6W		
R 3062	J07225473	CARBON FILM RES.	RD16TPJ473	47K	1/6W		
R 3063	J07225332	CARBON FILM RES.	RD16TPJ332	3.3K	1/6W		
R 3064	J07225472	CARBON FILM RES.	RD16TPJ472	4.7K	1/6W		
R 3065	J07225472	CARBON FILM RES.	RD16TPJ472	4.7K	1/6W		
R 3066	J07225332	CARBON FILM RES.	RD16TPJ332	3.3K	1/6W		
R 3067	J07225105	CARBON FILM RES.	RD16TPJ105	1M	1/6W		
R 3068	J07225101	CARBON FILM RES.	RD16TPJ101	100	1/6W		
R 3069	J07225472	CARBON FILM RES.	RD16TPJ472	4.7K	1/6W		
R 3070	J07225104	CARBON FILM RES.	RD16TPJ104	100K	1/6W		
R 3071	J07225472	CARBON FILM RES.	RD16TPJ472	4.7K	1/6W		
R 3072	J07225101	CARBON FILM RES.	RD16TPJ101	100	1/6W		
R 3073	J07225102	CARBON FILM RES.	RD16TPJ102	1K	1/6W		
R 3074	J07225183	CARBON FILM RES.	RD16TPJ183	18K	1/6W		
R 3075	J07225473	CARBON FILM RES.	RD16TPJ473	47K	1/6W		
R 3076	J07225221	CARBON FILM RES.	RD16TPJ221	220	1/6W		
R 3077	J07225222	CARBON FILM RES.	RD16TPJ222	2.2K	1/6W		
R 3078	J07225154	CARBON FILM RES.	RD16TPJ154	150K	1/6W		
R 3079	J07225101	CARBON FILM RES.	RD16TPJ101	100	1/6W		
R 3080	J07225332	CARBON FILM RES.	RD16TPJ332	3.3K	1/6W		
R 3081	J07225123	CARBON FILM RES.	RD16TPJ123	12K	1/6W		
R 3082	J07225123	CARBON FILM RES.	RD16TPJ123	12K	1/6W		
R 3083	J07225183	CARBON FILM RES.	RD16TPJ183	18K	1/6W		
R 3084	J07225103	CARBON FILM RES.	RD16TPJ103	10K	1/6W		
R 3085	J07225473	CARBON FILM RES.	RD16TPJ473	47K	1/6W		

REF.	YAESU P/N	DESCRIPTION	MFGR'S DESIG	VALUE	WV	TOL.	VERS.
R 3086	J07225823	CARBON FILM RES.	RD16TPJ823	82K	1/6W		
R 3087	J07225103	CARBON FILM RES.	RD16TPJ103	10K	1/6W		
R 3088	J07225123	CARBON FILM RES.	RD16TPJ123	12K	1/6W		
R 3089	J07225183	CARBON FILM RES.	RD16TPJ183	18K	1/6W		
R 3090	J07225473	CARBON FILM RES.	RD16TPJ473	47K	1/6W		
R 3091	J07225224	CARBON FILM RES.	RD16TPJ224	220K	1/6W		
R 3092	J20306339	METAL FILM RES.	RS1B 1W K 3.3	3.3	1W		
R 3093	J07225103	CARBON FILM RES.	RD16TPJ103	10K	1/6W		
R 3094	J07225102	CARBON FILM RES.	RD16TPJ102	1K	1/6W		
R 3095	J07225224	CARBON FILM RES.	RD16TPJ224	220K	1/6W		
R 3096	J07225332	CARBON FILM RES.	RD16TPJ332	3.3K	1/6W		
R 3097	J07225102	CARBON FILM RES.	RD16TPJ102	1K	1/6W		
R 3098	J07225332	CARBON FILM RES.	RD16TPJ332	3.3K	1/6W		
R 3099	J07225820	CARBON FILM RES.	RD16TPJ820	82	1/6W		
R 3100	J07225223	CARBON FILM RES.	RD16TPJ223	22K	1/6W		
R 3101	J07225221	CARBON FILM RES.	RD16TPJ221	220	1/6W		
R 3102	J07225222	CARBON FILM RES.	RD16TPJ222	2.2K	1/6W		
R 3103	J07225222	CARBON FILM RES.	RD16TPJ222	2.2K	1/6W		
R 3104	J07225103	CARBON FILM RES.	RD16TPJ103	10K	1/6W		
R 3105	J07225101	CARBON FILM RES.	RD16TPJ101	100	1/6W		
R 3106	J07225471	CARBON FILM RES.	RD16TPJ471	470	1/6W		
R 3107	J07225102	CARBON FILM RES.	RD16TPJ102	1K	1/6W		
R 3108	J07225473	CARBON FILM RES.	RD16TPJ473	47K	1/6W		
R 3109	J07225104	CARBON FILM RES.	RD16TPJ104	100K	1/6W		
R 3110	J07225104	CARBON FILM RES.	RD16TPJ104	100K	1/6W		
R 3111	J07225103	CARBON FILM RES.	RD16TPJ103	10K	1/6W		
R 3112	J07225101	CARBON FILM RES.	RD16TPJ101	100	1/6W		
R 3113	J07225101	CARBON FILM RES.	RD16TPJ101	100	1/6W		
R 3114	J07225101	CARBON FILM RES.	RD16TPJ101	100	1/6W		
R 3115	J07225010	CARBON FILM RES.	RD16TPJ010	1	1/6W		
R 3116	J07225221	CARBON FILM RES.	RD16TPJ221	220	1/6W		
R 3117	J07225473	CARBON FILM RES.	RD16TPJ473	47K	1/6W		
R 3118	J07225102	CARBON FILM RES.	RD16TPJ102	1K	1/6W		
R 3119	J07225104	CARBON FILM RES.	RD16TPJ104	100K	1/6W		
R 3120	J07225104	CARBON FILM RES.	RD16TPJ104	100K	1/6W		
R 3121	J07225102	CARBON FILM RES.	RD16TPJ102	1K	1/6W		
R 3122	J07225101	CARBON FILM RES.	RD16TPJ101	100	1/6W		
R 3123	J07225479	CARBON FILM RES.	RD16TPJ4R7	4.7	1/6W		
R 3124	J07225154	CARBON FILM RES.	RD16TPJ154	150K	1/6W		
R 3125	J07225102	CARBON FILM RES.	RD16TPJ102	1K	1/6W		
R 3126	J07225332	CARBON FILM RES.	RD16TPJ332	3.3K	1/6W		
R 3127	J07225681	CARBON FILM RES.	RD16TPJ681	680	1/6W		
R 3128	J07225222	CARBON FILM RES.	RD16TPJ222	2.2K	1/6W		
R 3129	J07225221	CARBON FILM RES.	RD16TPJ221	220	1/6W		
R 3130	J07225473	CARBON FILM RES.	RD16TPJ473	47K	1/6W		
R 3131	J07225683	CARBON FILM RES.	RD16TPJ683	68K	1/6W		
R 3132	J07225151	CARBON FILM RES.	RD16TPJ151	150	1/6W		
R 3133	J07225331	CARBON FILM RES.	RD16TPJ331	330	1/6W		
R 3134	J07225472	CARBON FILM RES.	RD16TPJ472	4.7K	1/6W		
R 3135	J07225102	CARBON FILM RES.	RD16TPJ102	1K	1/6W		
R 3136	J07225153	CARBON FILM RES.	RD16TPJ153	15K	1/6W		
R 3137	J07225471	CARBON FILM RES.	RD16TPJ471	470	1/6W		
R 3138	J07225222	CARBON FILM RES.	RD16TPJ222	2.2K	1/6W		
R 3139	J07225221	CARBON FILM RES.	RD16TPJ221	220	1/6W		
R 3140	J07225222	CARBON FILM RES.	RD16TPJ222	2.2K	1/6W		

For Service Manuals Contact  
**MAURITRON TECHNICAL SERVICES**  
 8 Cherry Tree Rd, Chinnor  
 Oxon OX9 4QY  
 Tel: 01844-351694 Fax: 01844-352554  
 Email: enquiries@mauritron.co.uk

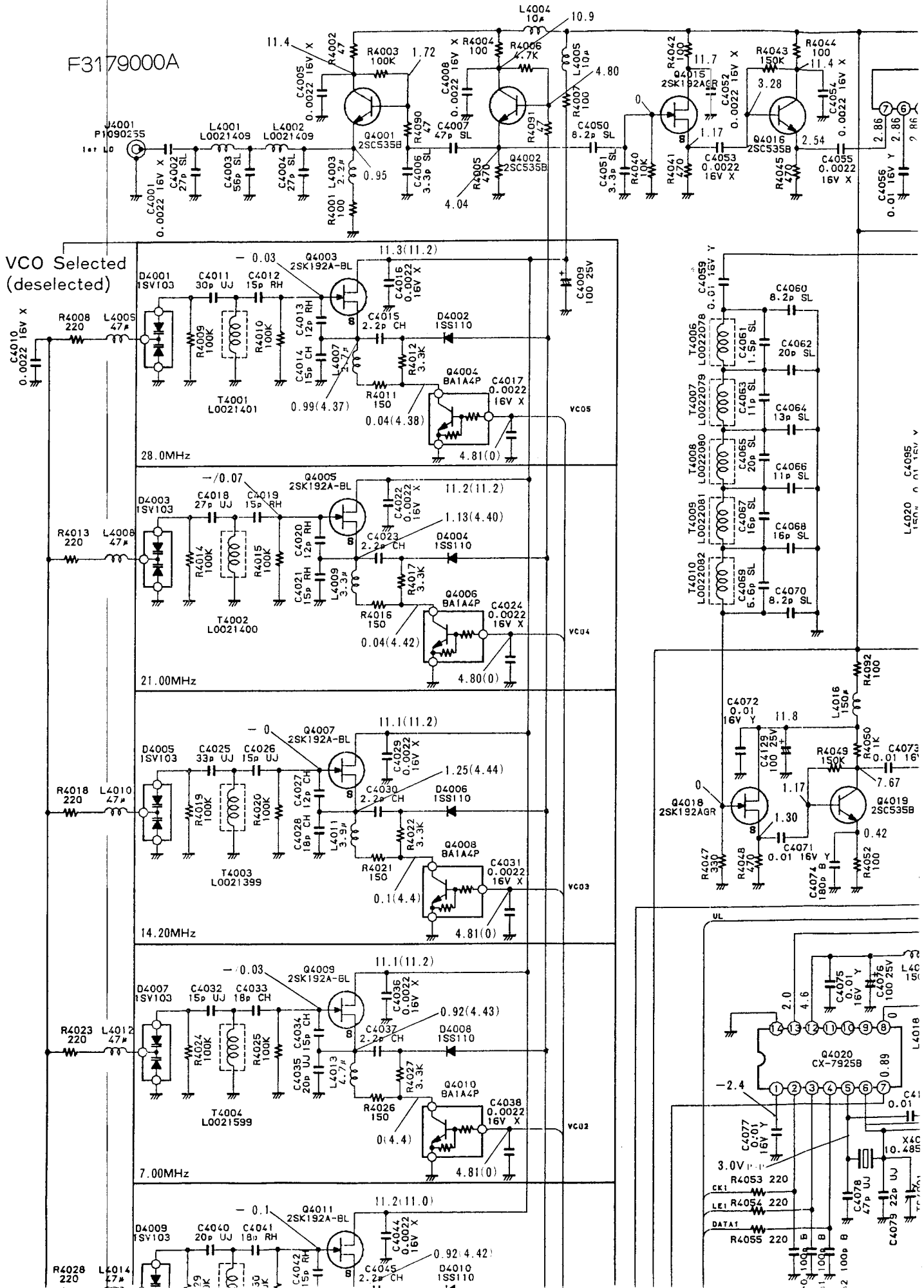
# AF Unit

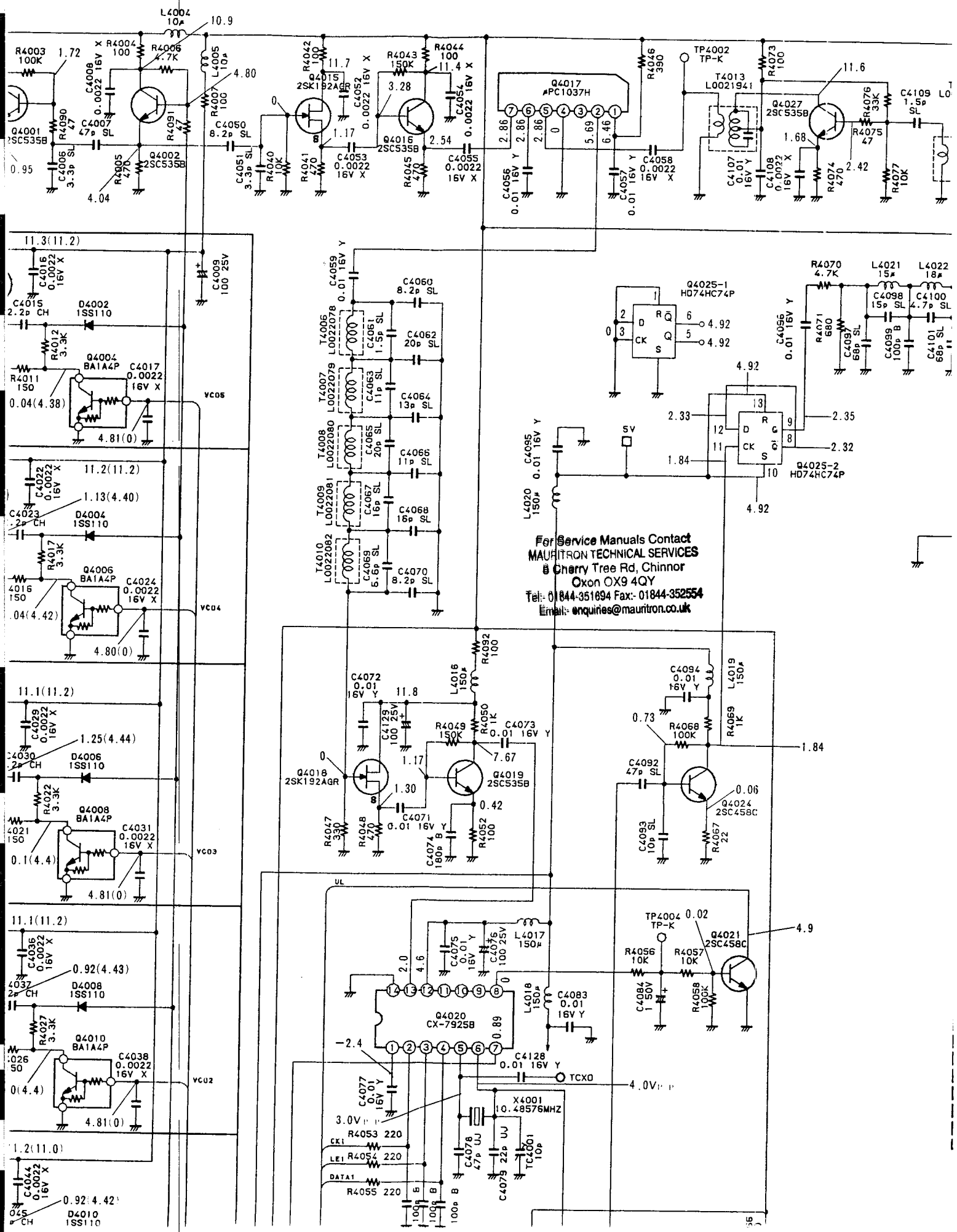
REF.	YAESU P/N	DESCRIPTION	MFGR'S DESIG	VALUE	WV	TOL.	VERS.
R 3141	J07225103	CARBON FILM RES.	RD16TPJ103	10K	1/6W		
R 3142	J07225103	CARBON FILM RES.	RD16TPJ103	10K	1/6W		
R 3143	J07225103	CARBON FILM RES.	RD16TPJ103	10K	1/6W		
R 3144	J07225103	CARBON FILM RES.	RD16TPJ103	10K	1/6W		
R 3145	J07225103	CARBON FILM RES.	RD16TPJ103	10K	1/6W		
R 3146	J07225103	CARBON FILM RES.	RD16TPJ103	10K	1/6W		
R 3148	J07225103	CARBON FILM RES.	RD16TPJ103	10K	1/6W		
R 3149	J07225103	CARBON FILM RES.	RD16TPJ103	10K	1/6W		
R 3153	J07225103	CARBON FILM RES.	RD16TPJ103	10K	1/6W		
R 3154	J07225103	CARBON FILM RES.	RD16TPJ103	10K	1/6W		
R 3156	J07225683	CARBON FILM RES.	RD16TPJ683	68K	1/6W		
R 3157	J07225101	CARBON FILM RES.	RD16TPJ101	100	1/6W		
R 3158	J07225101	CARBON FILM RES.	RD16TPJ101	100	1/6W		
R 3159	J07225101	CARBON FILM RES.	RD16TPJ101	100	1/6W		
R 3160	J07225473	CARBON FILM RES.	RD16TPJ473	47K	1/6W		
R 3161	J07225222	CARBON FILM RES.	RD16TPJ222	2.2K	1/6W		
R 3162	J07225104	CARBON FILM RES.	RD16TPJ104	100K	1/6W		
R 3163	J07225473	CARBON FILM RES.	RD16TPJ473	47K	1/6W		
R 3164	J07225471	CARBON FILM RES.	RD16TPJ471	470	1/6W		
R 3165	J07225472	CARBON FILM RES.	RD16TPJ472	4.7K	1/6W		
R 3166	J07225101	CARBON FILM RES.	RD16TPJ101	100	1/6W		
R 3167	J07225472	CARBON FILM RES.	RD16TPJ472	4.7K	1/6W		
R 3169	J07225473	CARBON FILM RES.	RD16TPJ473	47K	1/6W		
R 3170	J07225104	CARBON FILM RES.	RD16TPJ104	100K	1/6W		
R 3171	J07225332	CARBON FILM RES.	RD16TPJ332	3.3K	1/6W		
R 3177	J07225820	CARBON FILM RES.	RD16TPJ820	82	1/6W		
R 3178	J07225103	CARBON FILM RES.	RD16TPJ103	10K	1/6W		
R 3179	J07225103	CARBON FILM RES.	RD16TPJ103	10K	1/6W		
R 3182	J07225103	CARBON FILM RES.	RD16TPJ103	10K	1/6W		
R 3183	J07225105	CARBON FILM RES.	RD16TPJ105	1M	1/6W		
R 3184	J07225332	CARBON FILM RES.	RD16TPJ332	3.3K	1/6W		
R 3185	J07225560	CARBON FILM RES.	RD16TPJ560	56	1/6W		
R 3187	J07225102	CARBON FILM RES.	RD16TPJ102	1K	1/6W		
R 3188	J07225471	CARBON FILM RES.	RD16TPJ471	470	1/6W		
R 3191	J07225103	CARBON FILM RES.	RD16TPJ103	10K	1/6W		
R 3192	J07225103	CARBON FILM RES.	RD16TPJ103	10K	1/6W		
R 3195	J07225104	CARBON FILM RES.	RD16TPJ104	100K	1/6W		
R 3196	J07225103	CARBON FILM RES.	RD16TPJ103	10K	1/6W		
R 3198	J07225473	CARBON FILM RES.	RD16TPJ473	47K	1/6W		
R 3199	J07225393	CARBON FILM RES.	RD16TPJ393	39K	1/6W		
R 3200	J07225223	CARBON FILM RES.	RD16TPJ223	22K	1/6W		
R 3202	J07225223	CARBON FILM RES.	RD16TPJ223	22K	1/6W		
R 3204	J07225223	CARBON FILM RES.	RD16TPJ223	22K	1/6W		
R 3205	J07225103	CARBON FILM RES.	RD16TPJ103	10K	1/6W		
R 3206	J07225393	CARBON FILM RES.	RD16TPJ393	39K	1/6W		
R 3207	J07225223	CARBON FILM RES.	RD16TPJ223	22K	1/6W		
R 3208	J07225105	CARBON FILM RES.	RD16TPJ105	1M	1/6W		
R 3209	J07225101	CARBON FILM RES.	RD16TPJ101	100	1/6W		
R 3211	J07225223	CARBON FILM RES.	RD16TPJ223	22K	1/6W		
R 3212	J07225223	CARBON FILM RES.	RD16TPJ223	22K	1/6W		
R 3213	J07225223	CARBON FILM RES.	RD16TPJ223	22K	1/6W		
R 3214	J07225223	CARBON FILM RES.	RD16TPJ223	22K	1/6W		
R 3215	J07225473	CARBON FILM RES.	RD16TPJ473	47K	1/6W		
R 3217	J07225472	CARBON FILM RES.	RD16TPJ472	4.7K	1/6W		
R 3218	J07225332	CARBON FILM RES.	RD16TPJ332	3.3K	1/6W		

REF.	YAESU P/N	DESCRIPTION	MFRG'S DESIG	VALUE	WV	TOL.	VERS.
R 3219	J07225101	CARBON FILM RES.	RD16TPJ101	100	1/6W		
R 3220	J07225101	CARBON FILM RES.	RD16TPJ101	100	1/6W		
R 3221	J07225101	CARBON FILM RES.	RD16TPJ101	100	1/6W		
R 3222	J07225101	CARBON FILM RES.	RD16TPJ101	100	1/6W		
R 3223	J07225183	CARBON FILM RES.	RD16TPJ183	18K	1/6W		
R 3224	J07225103	CARBON FILM RES.	RD16TPJ103	10K	1/6W		
R 3225	J07225223	CARBON FILM RES.	RD16TPJ223	22K	1/6W		
R 3226	J07225102	CARBON FILM RES.	RD16TPJ102	1K	1/6W		
R 3227	J07225154	CARBON FILM RES.	RD16TPJ154	150K	1/6W		
R 3228	J07225473	CARBON FILM RES.	RD16TPJ473	47K	1/6W		
R 3229	J07225683	CARBON FILM RES.	RD16TPJ683	68K	1/6W		
R 3230	J07225472	CARBON FILM RES.	RD16TPJ472	4.7K	1/6W		
R 3231	J07225104	CARBON FILM RES.	RD16TPJ104	100K	1/6W		
R 3232	J07225182	CARBON FILM RES.	RD16TPJ182	1.8K	1/6W		
R 3233	J07225473	CARBON FILM RES.	RD16TPJ473	47K	1/6W		
S 3001	N6090051	SLIDE SWITCH	SSS212299				
T 3001	L0020788A	COIL	4-1 2D3 TR6X3				
TP3001	Q5000050	TP-K	IPS-1136				
TP3002	Q5000050	TP-K	IPS-1136				
TP3003	Q5000050	TP-K	IPS-1136				
VR3001	J50784103	POT.	EVN-DCAA03B14	10K			
VR3002	J50784504	POT.	EVN-DCAA03B55	500K			
VR3003	J50784103	POT.	EVN-DCAA03B14	10K			
VR3004	J51783102	POT.	EVN-DXAA03B13	1K			
VR3005	J50784103	POT.	EVN-DCAA03B14	10K			
VR3006	J51783102	POT.	EVN-DXAA03B13	1K			
VR3007	J50784202	POT.	EVN-DCAA03B23	2K			
VR3008	J50784103	POT.	EVN-DCAA03B14	10K			
VR3009	J50784103	POT.	EVN-DCAA03B14	10K			
VR3010	J51783102	POT.	EVN-DXAA03B13	1K			
VR3011	J50784103	POT.	EVN-DCAA03B14	10K			
VR3012	J50784103	POT.	EVN-DCAA03B14	10K			
VR3013	J51783103	POT.	EVN-DCAA03B14	10K			
VR3014	J51783103	POT.	EVN-DCAA03B14	10K			
VR3015	J51783102	POT.	EVN-DXAA03B13	1K			
VR3016	J51783201	POT.	EVN-DXAA03B22	200			
VR3017	J51783502	POT.	EVN-DXAA03B53	5K			
VR3018	J51783102	POT.	EVN-DXAA03B13	1K			
VR3019	J51783102	POT.	EVN-DXAA03B13	1K			
X 3001	H0102409	XTAL		7.20MHZ			
X 3002	H7900170	CERAMIC OSC	CSA4.00MG5				
	Q9000548	THERMAL CONDUCTOR	45T-T0-220				
	R0137420	HEATSINK PLATE					
	R0134490	FITTING					
	R0136960	FITTING R					
	R0136970	FITTING L					

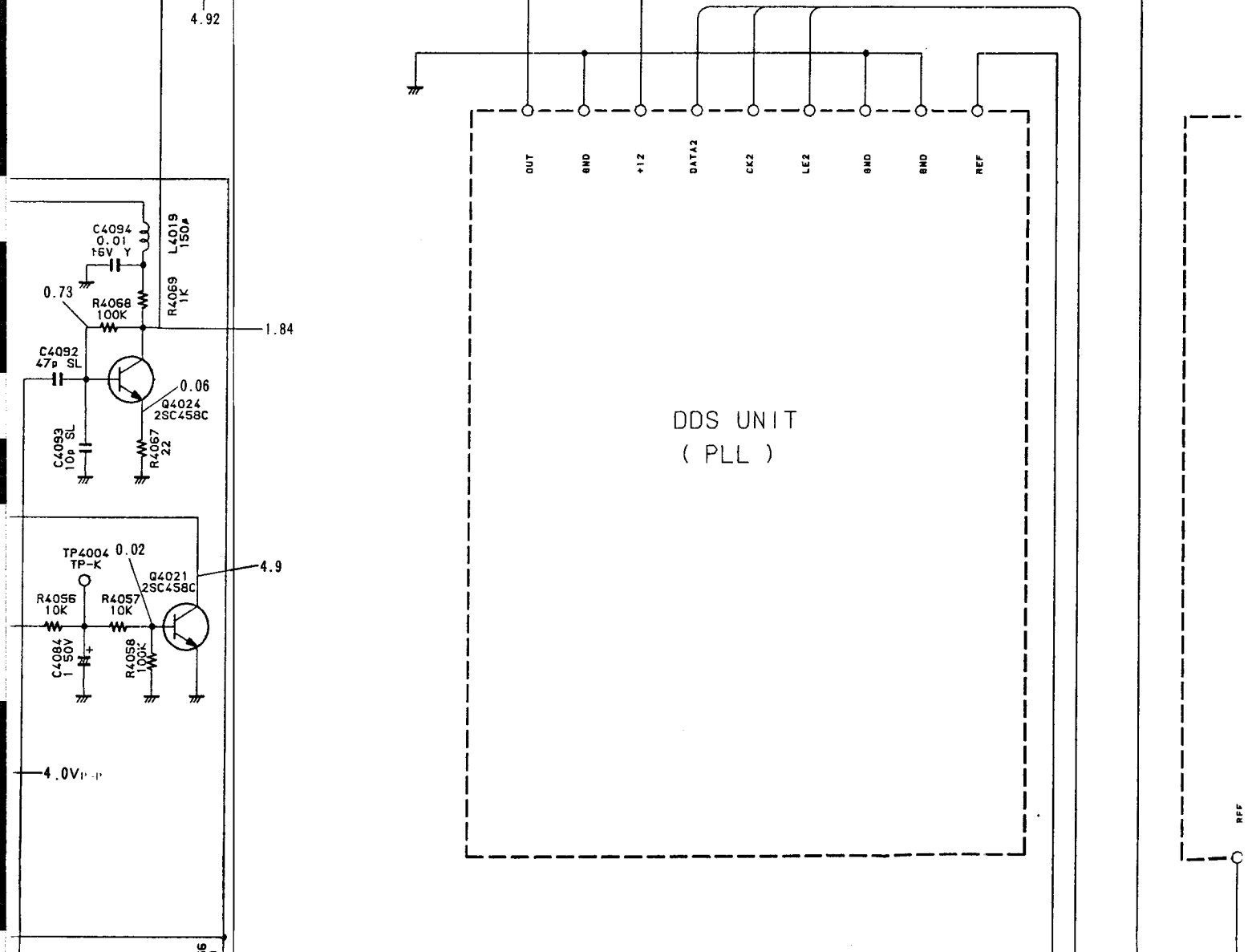
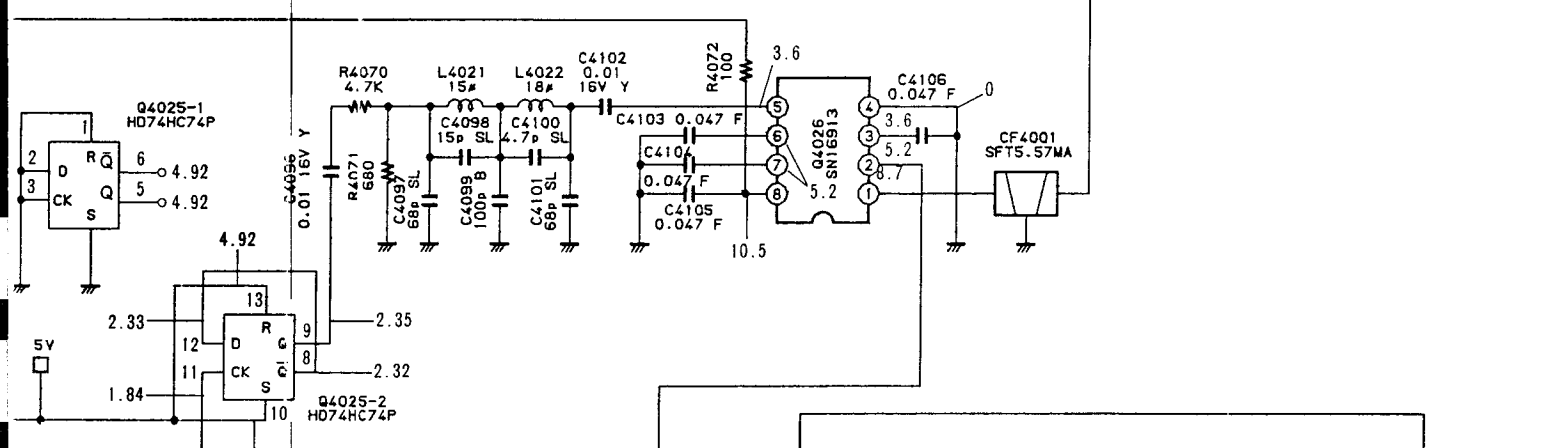
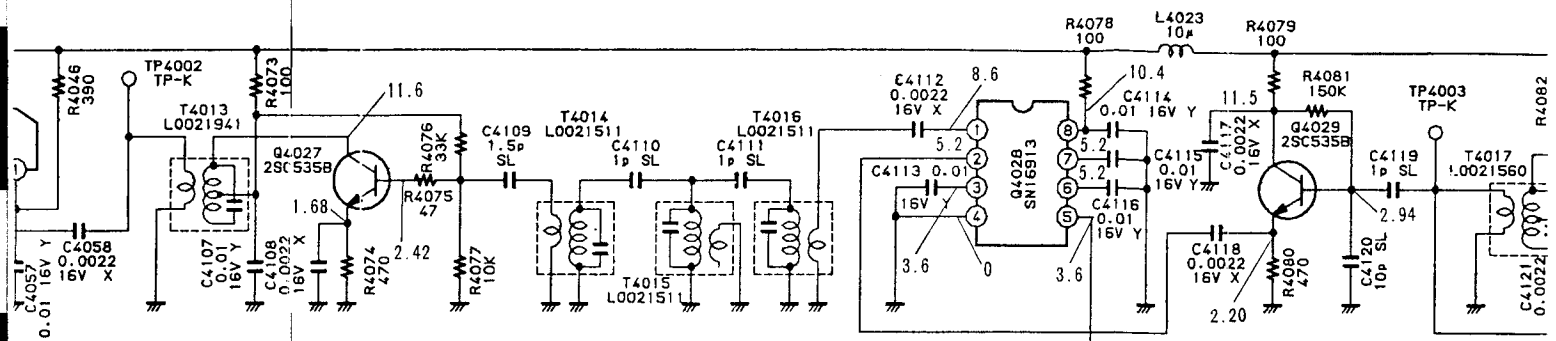
For Service Manuals Contact  
**MAURITRON TECHNICAL SERVICES**  
8 Cherry Tree Rd, Chinnor  
Oxon OX9 4QY  
Tel: 01844-351694 Fax: 01844-352554  
Email: enquiries@mauritron.co.uk

F3179000A



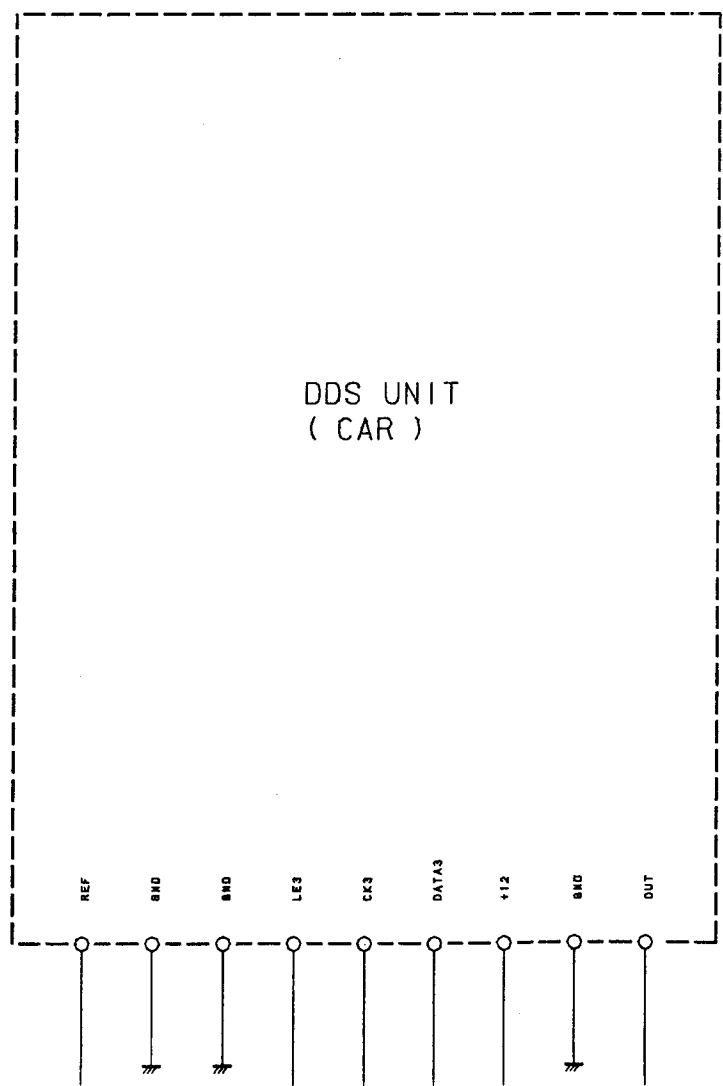
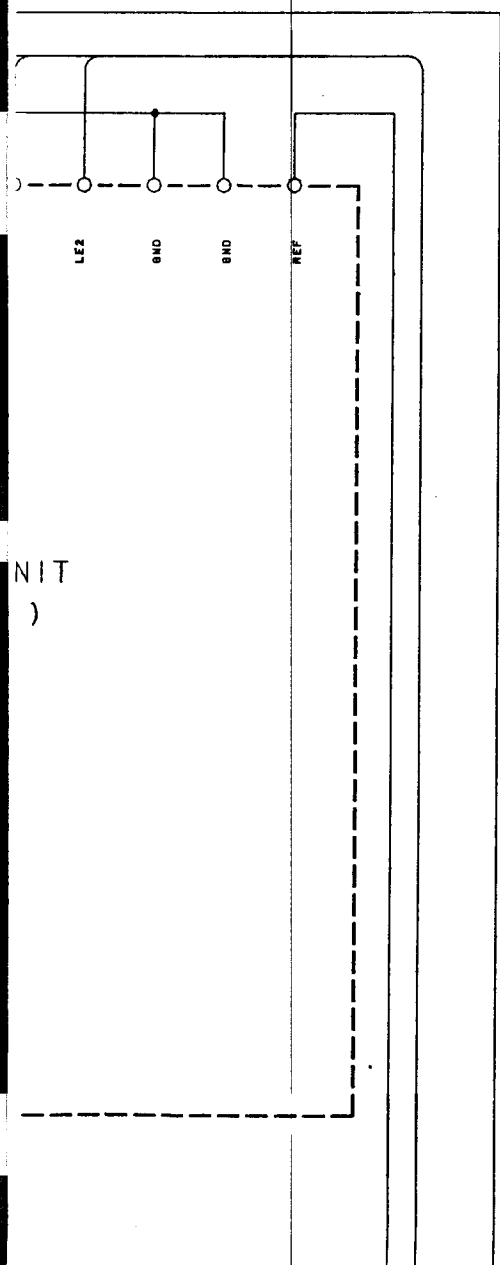
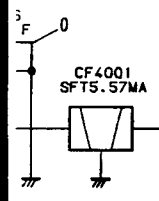
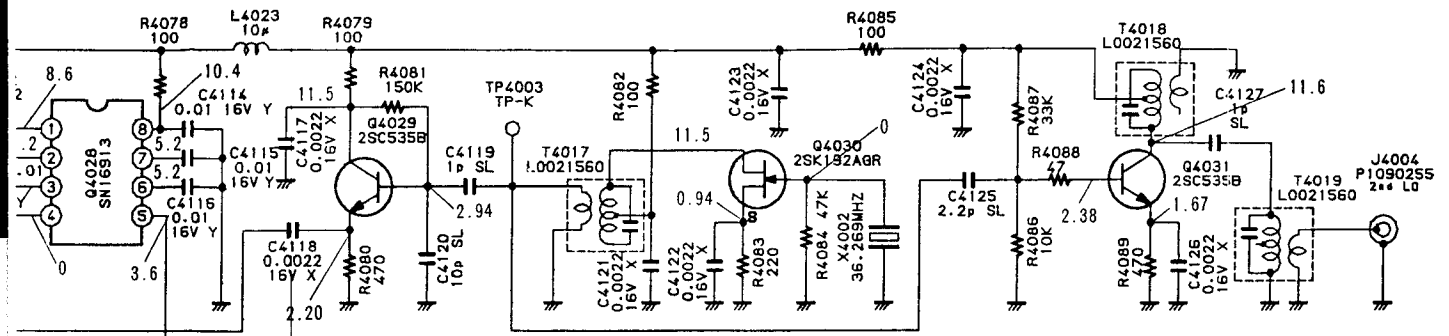


For Service Manuals Contact  
**MAURITRON TECHNICAL SERVICES**  
 8 Cherry Tree Rd, Chinnor  
 Oxon OX9 4QY  
 Tel: 01844-351894 Fax: 01844-352554  
 Email: enquiries@mauriton.co.uk



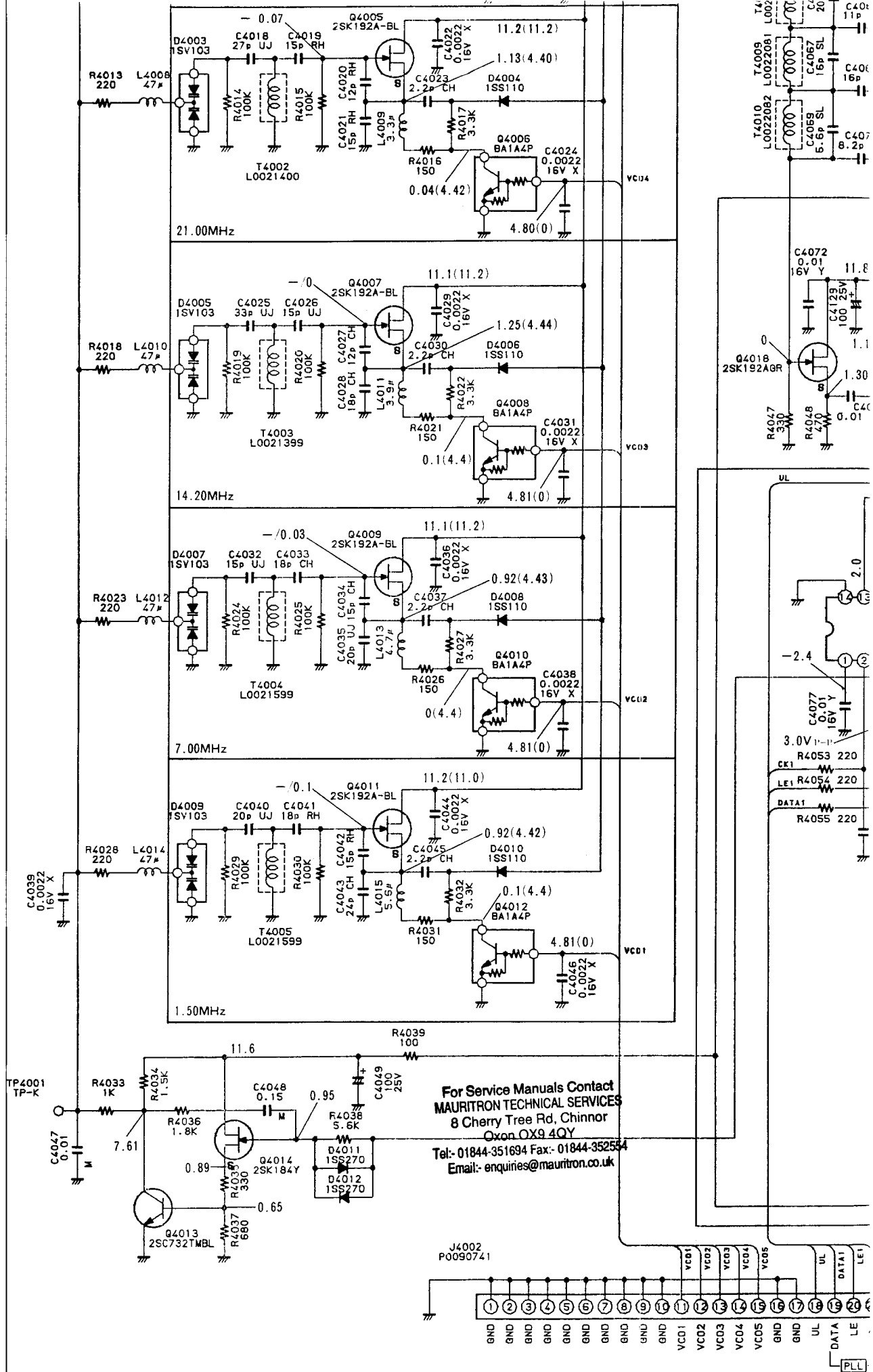
DDS UNIT  
( PLL )

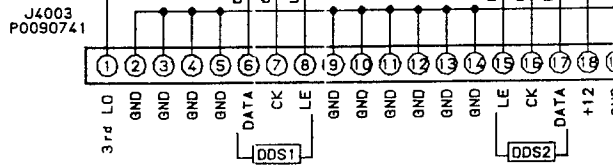
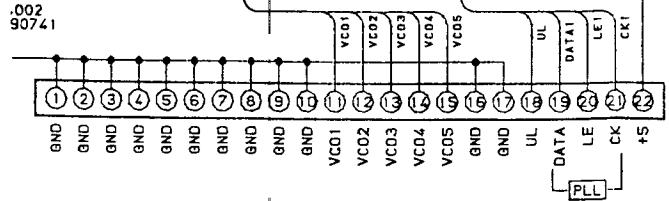
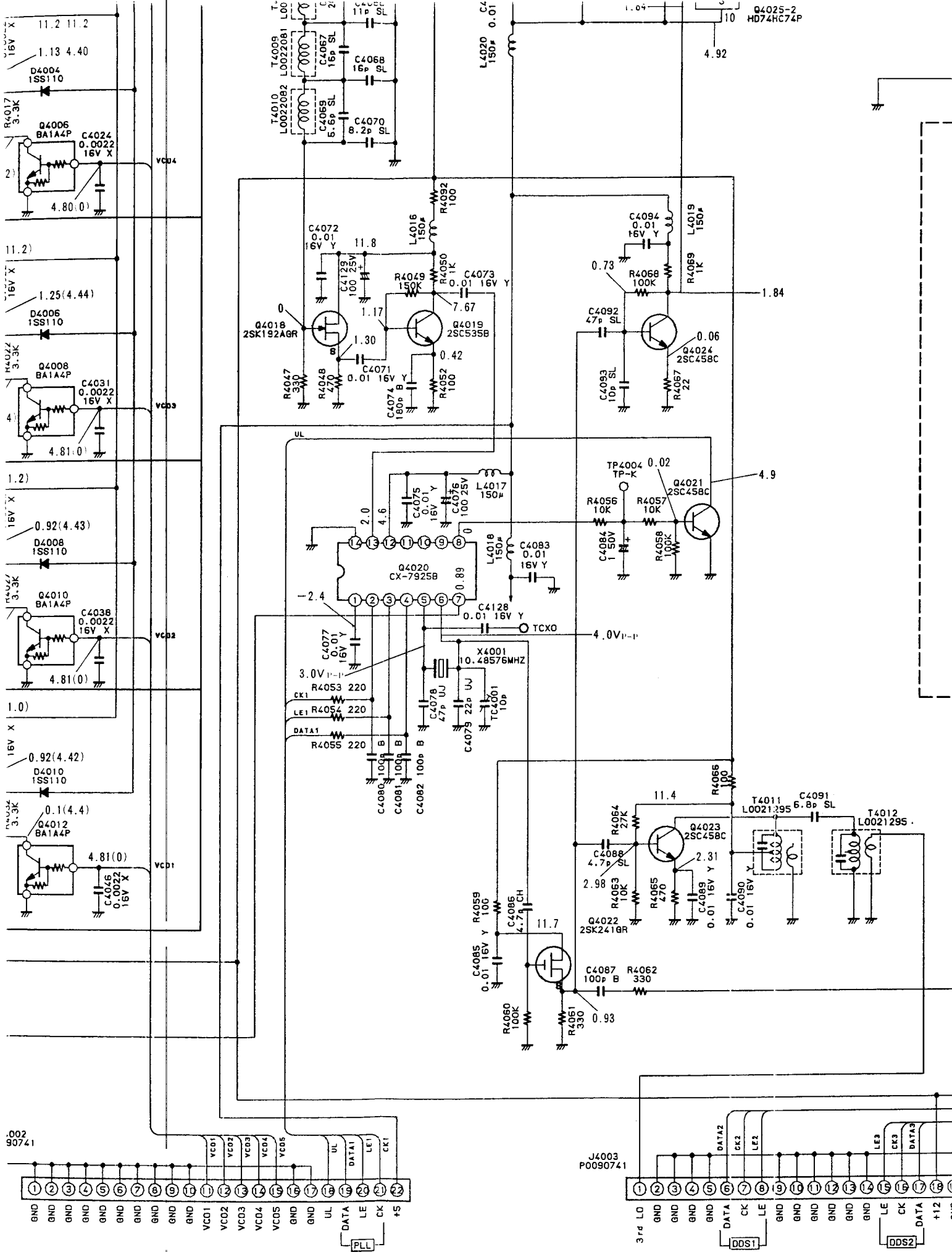
# Local Unit



NIT )

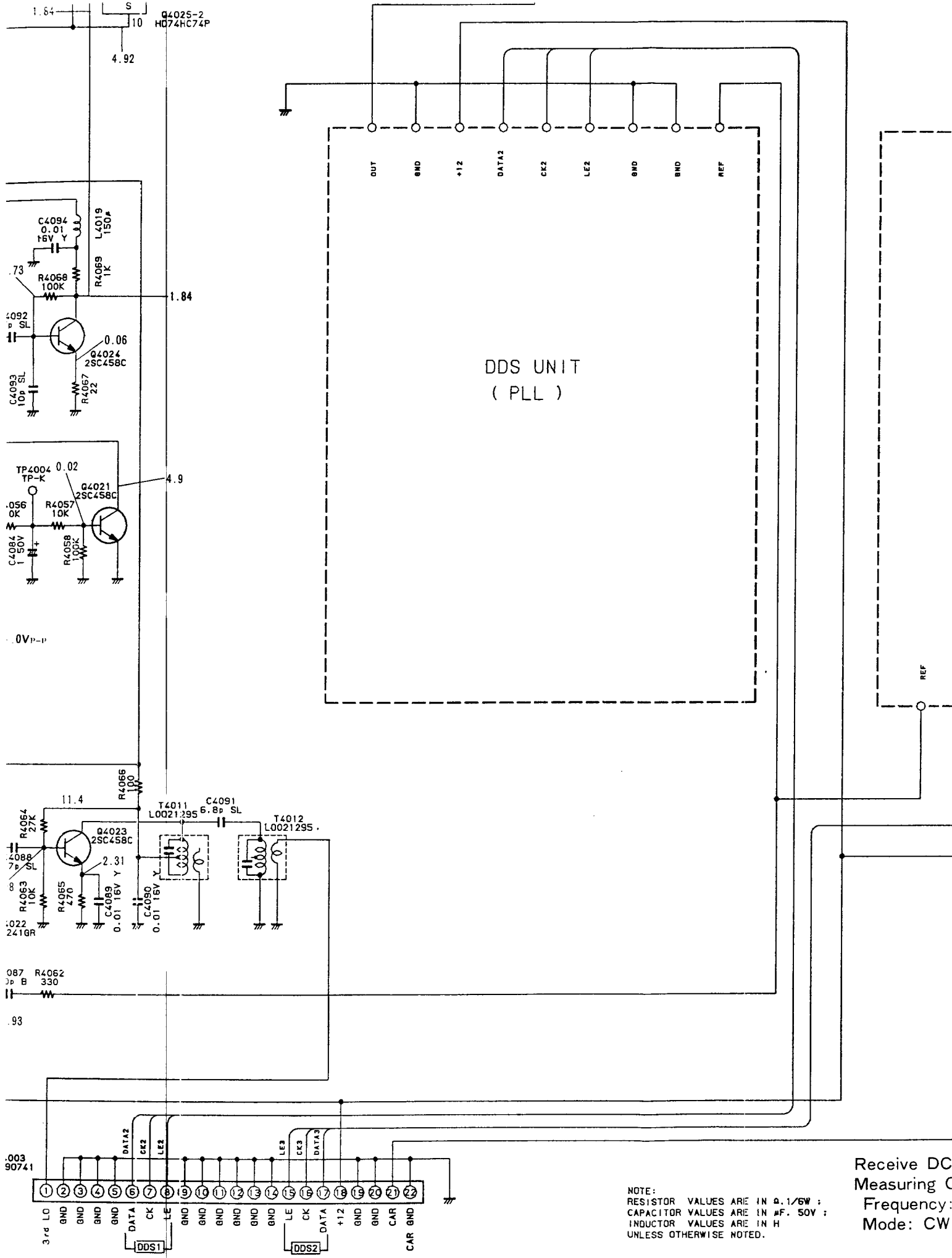






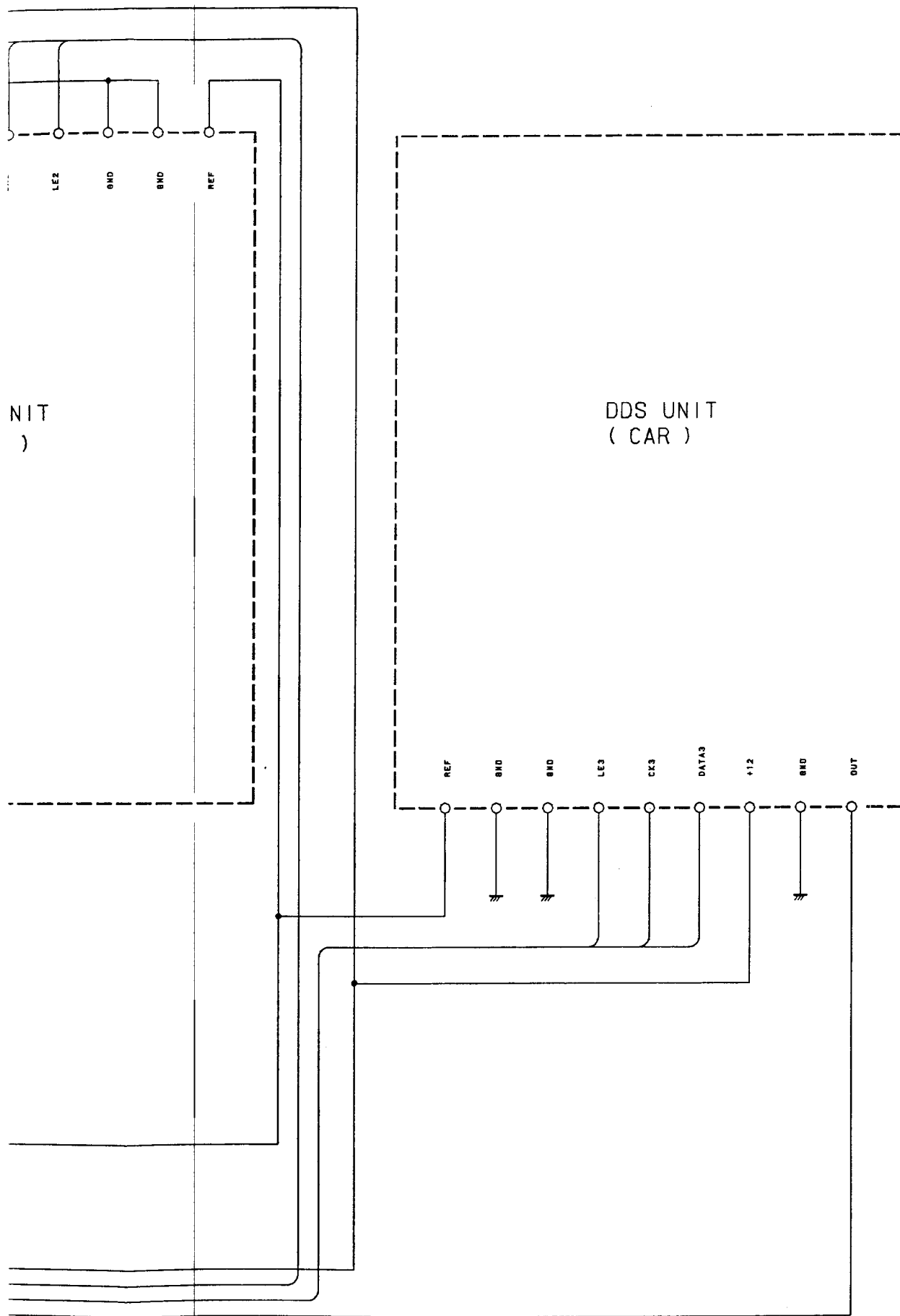
Q4025-2  
HD74HC74P

Q4025-2  
HQ74HC74P



Receive DC  
Measuring C  
Frequency:  
Mode: CW

NOTE:  
RESISTOR VALUES ARE IN Ω, 1/6W ;  
CAPACITOR VALUES ARE IN μF, 50V ;  
INDUCTOR VALUES ARE IN H  
UNLESS OTHERWISE NOTED.



NIT  
)

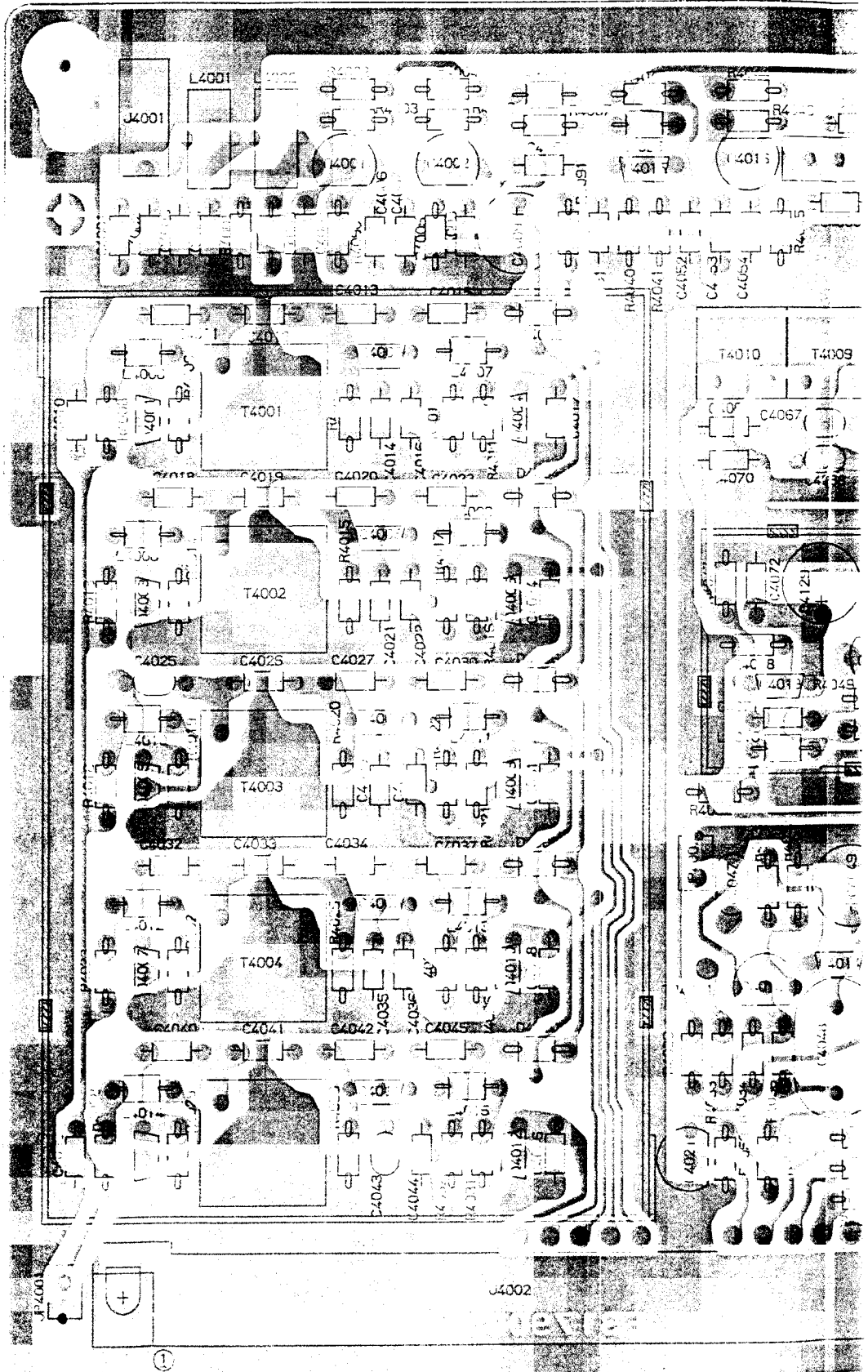
DDS UNIT  
( CAR )

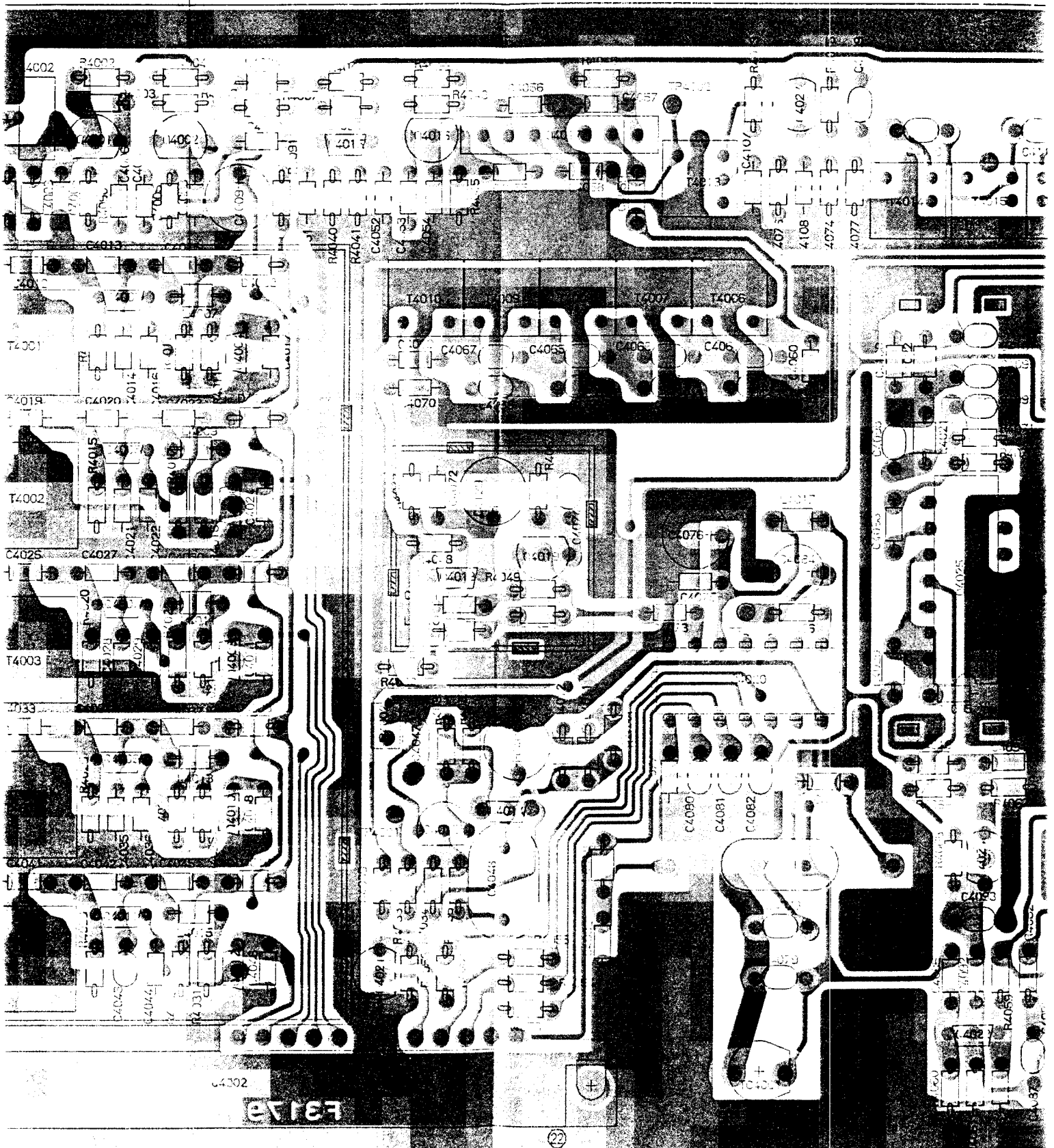
NOTE:  
RESISTOR VALUES ARE IN  $\Omega$ , 1/GW ;  
CAPACITOR VALUES ARE IN  $\mu$ F. SOV ;  
INDUCTOR VALUES ARE IN H  
UNLESS OTHERWISE NOTED.

Receive DC Voltage  
Measuring Conditions  
Frequency: 14.200MHz  
Mode: CW

LOCAL UNIT

For Service Manuals Contact  
**MAURITRON TECHNICAL SERVICES**  
8 Cherry Tree Rd, Chinnor  
Oxon OX9 4QY  
Tel:- 01844-351694 Fax:- 01844-352554  
Email:- enquiries@mauritron.co.uk



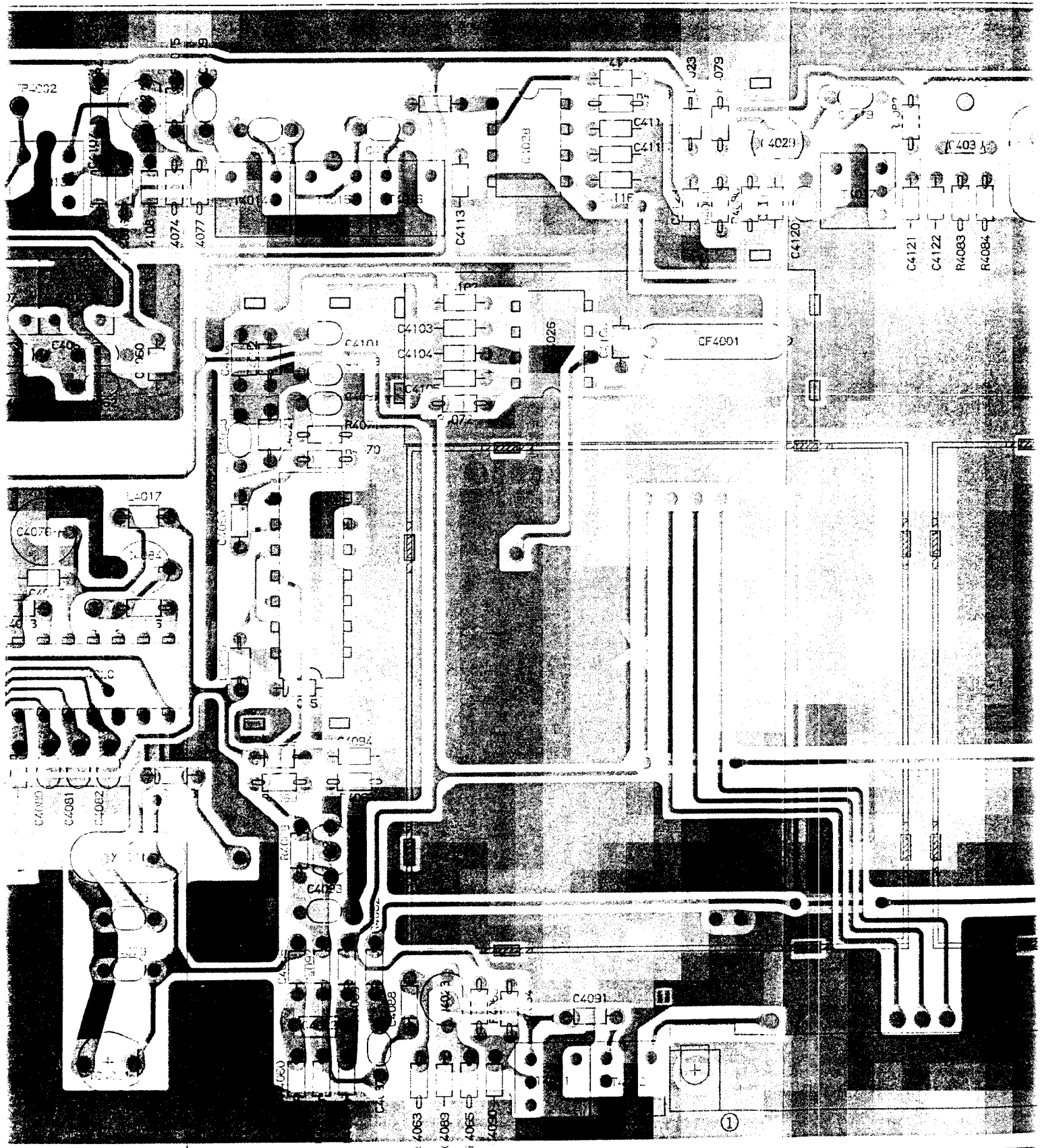


C4302

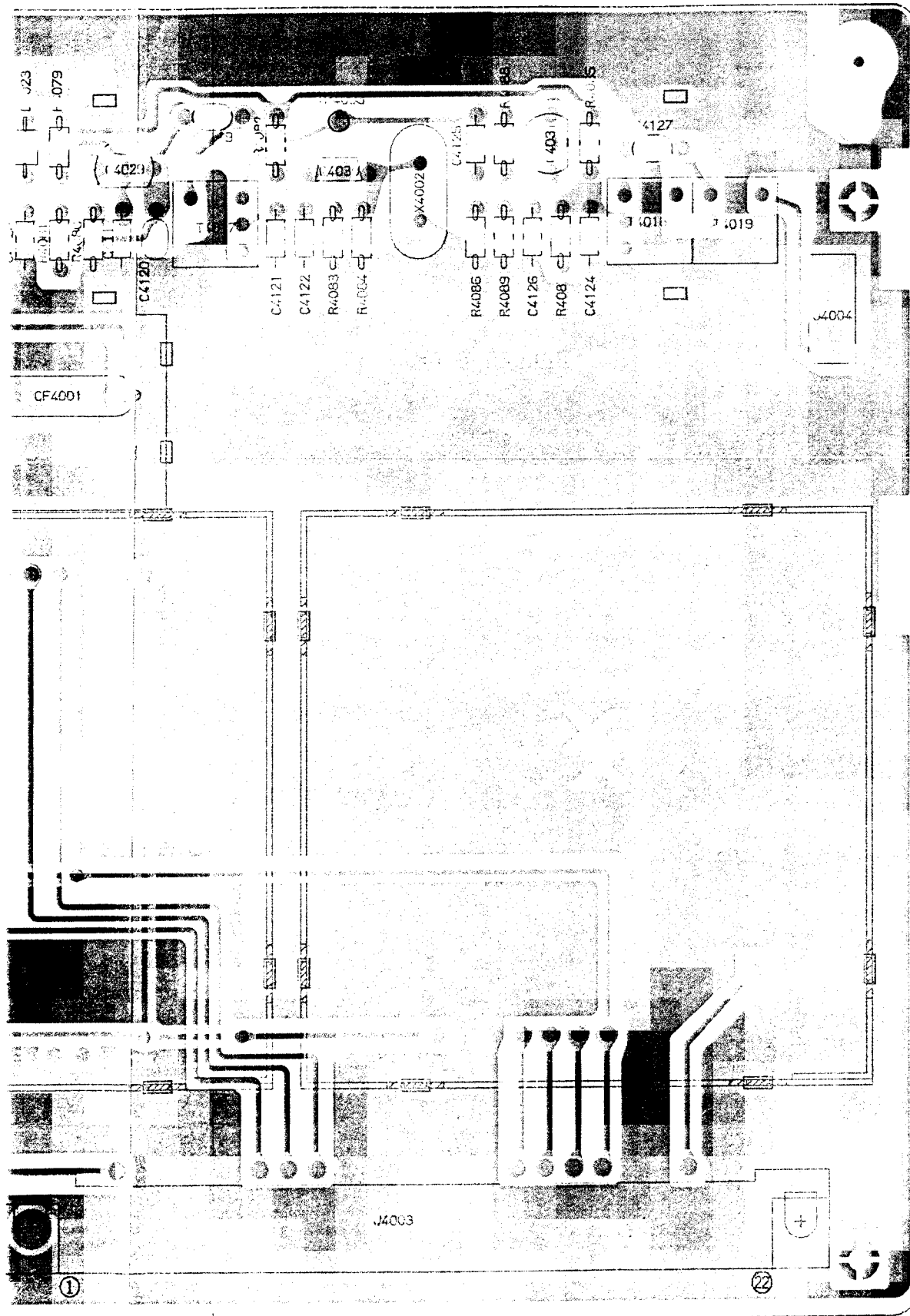
E3128

22



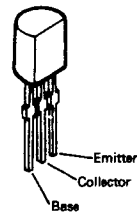
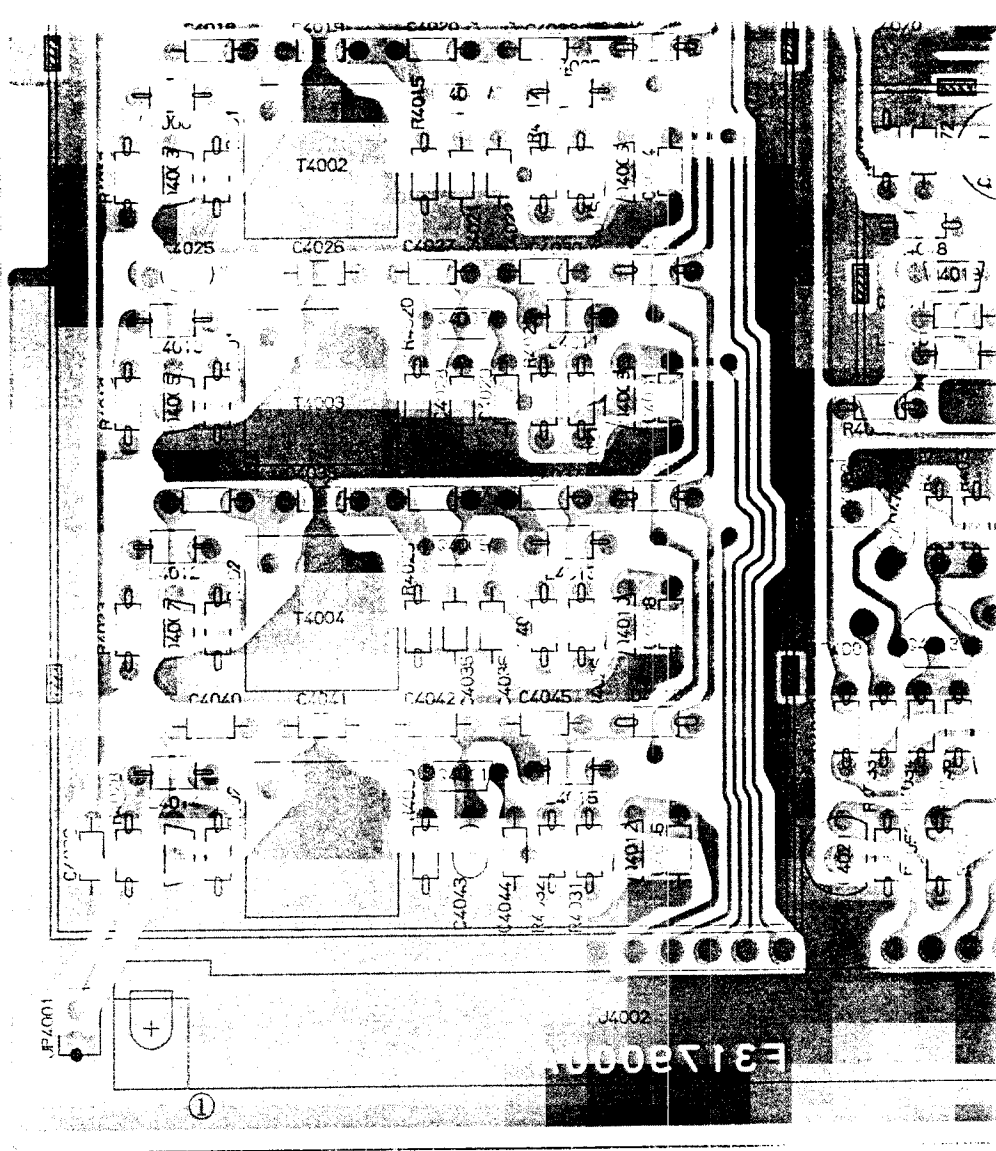


For Service Manuals Contact  
MAURITRON TECHNICAL SERVICES  
8 Cherry Tree Rd, Chinnor  
Oxon OX9 4QY  
Tel:- 01844-351694 Fax:- 01844-352554  
Email:- enquiries@mauritron.co.uk

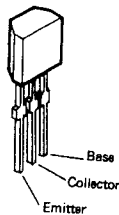


(“component” side)

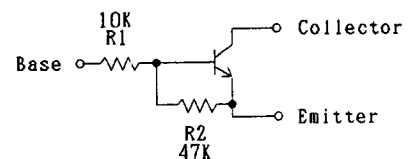




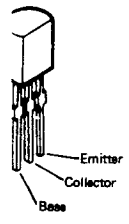
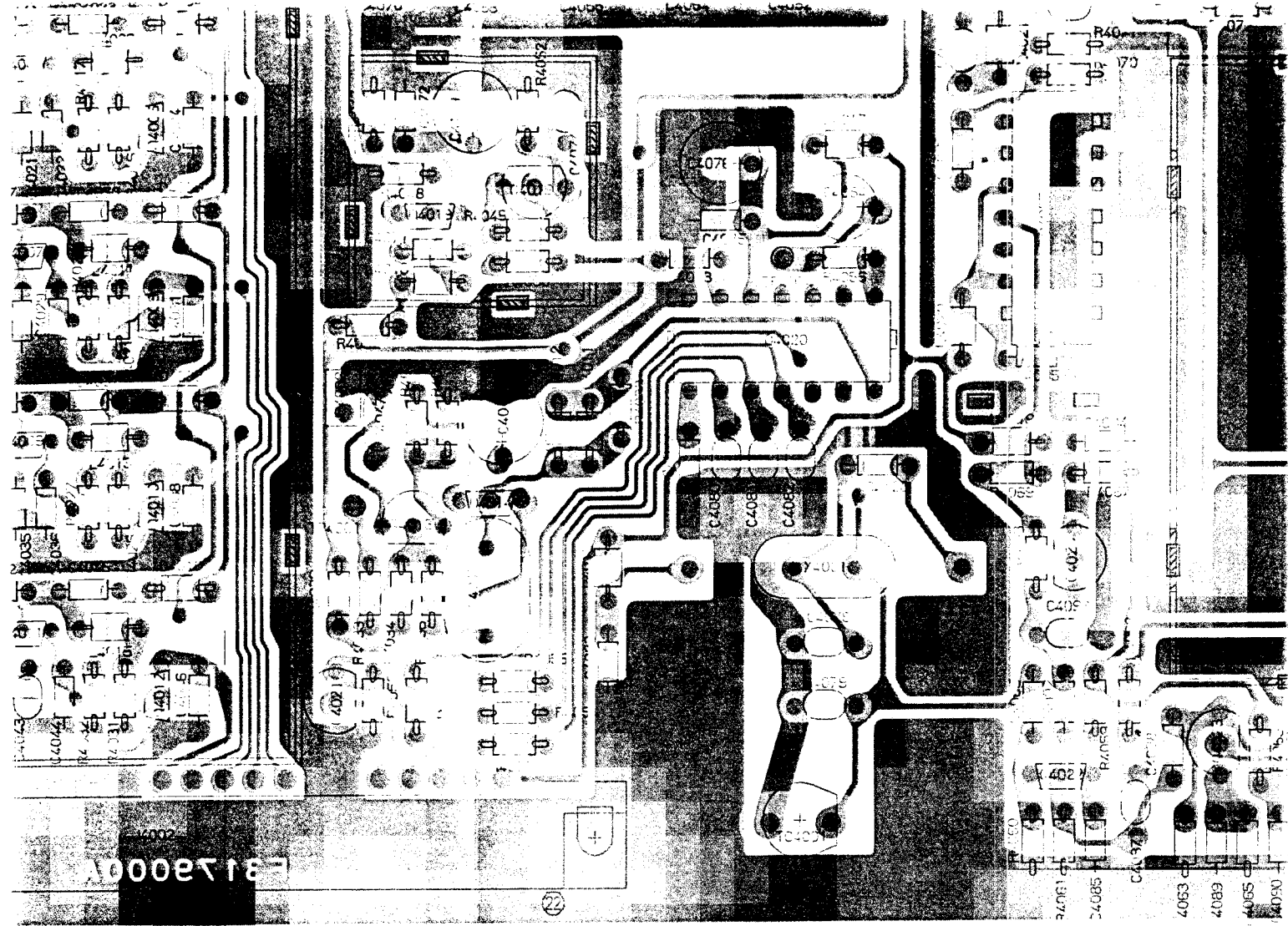
2SC458CTZ  
 (Q4021, 4023, 4024)  
 2SC535BTZ  
 (Q4001, 4002, 4016,  
 4019, 4027, 4029,  
 4031)  
 2SC732TML  
 (Q4013)



BA1A4P  
 (Q4004, 4006, 4008,  
 4010, 4012)

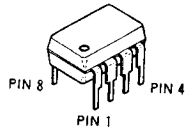


BA1A4P CIRCUIT DIAGRAM

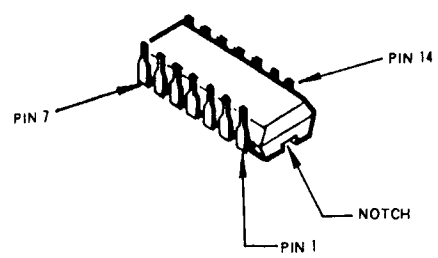


DTZ  
 4023, 4024)  
 3TZ  
 4002, 4016,  
 4027, 4029,

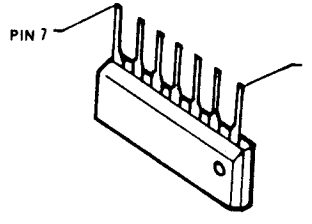
MBL



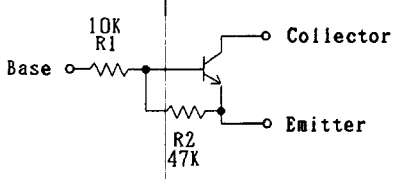
SN16913P  
 (Q4026, 4028)



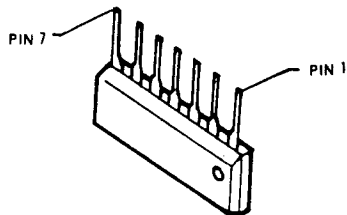
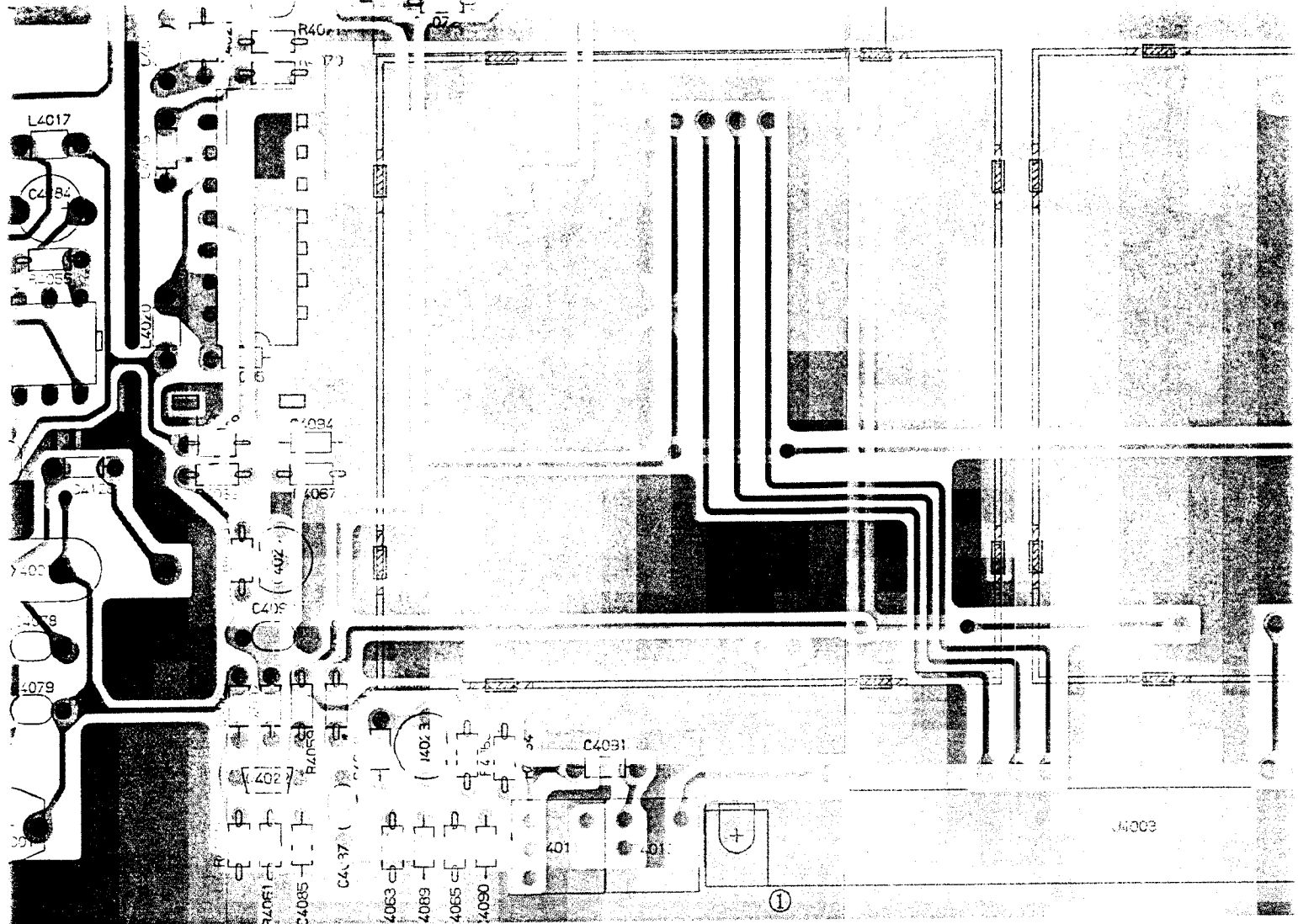
CX-7925B  
 (Q4020)  
 HD74HC74P  
 (Q4025)



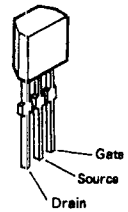
μPC1037H  
 (Q4017)



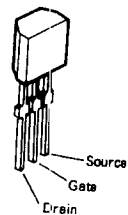
BA1A4P CIRCUIT DIAGRAM



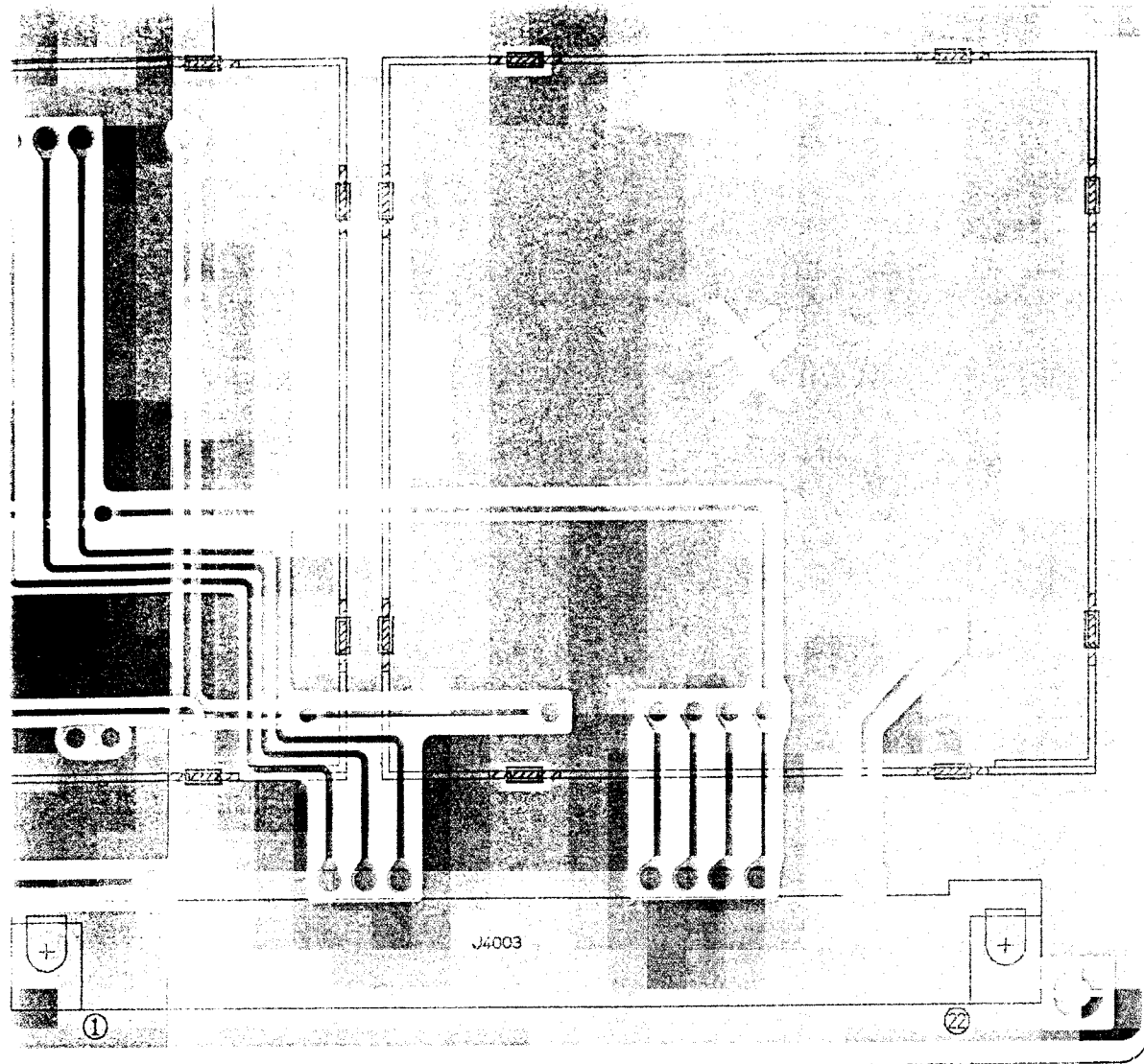
$\mu$ PC1037H  
(Q4017)



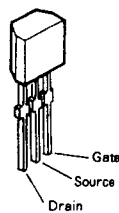
2SK192  
(Q4003, 4005, 4007, 4009, 4011, 4015)  
2SK241GR  
(Q4022)



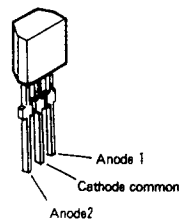
2SK184Y  
(Q4014)



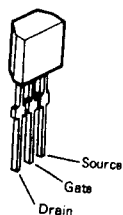
(“component” side)



2SK192  
 (Q4003, 4005, 4007, 4009, 4011, 4015, 4018, 4030)  
 2SK241GR  
 (Q4022)



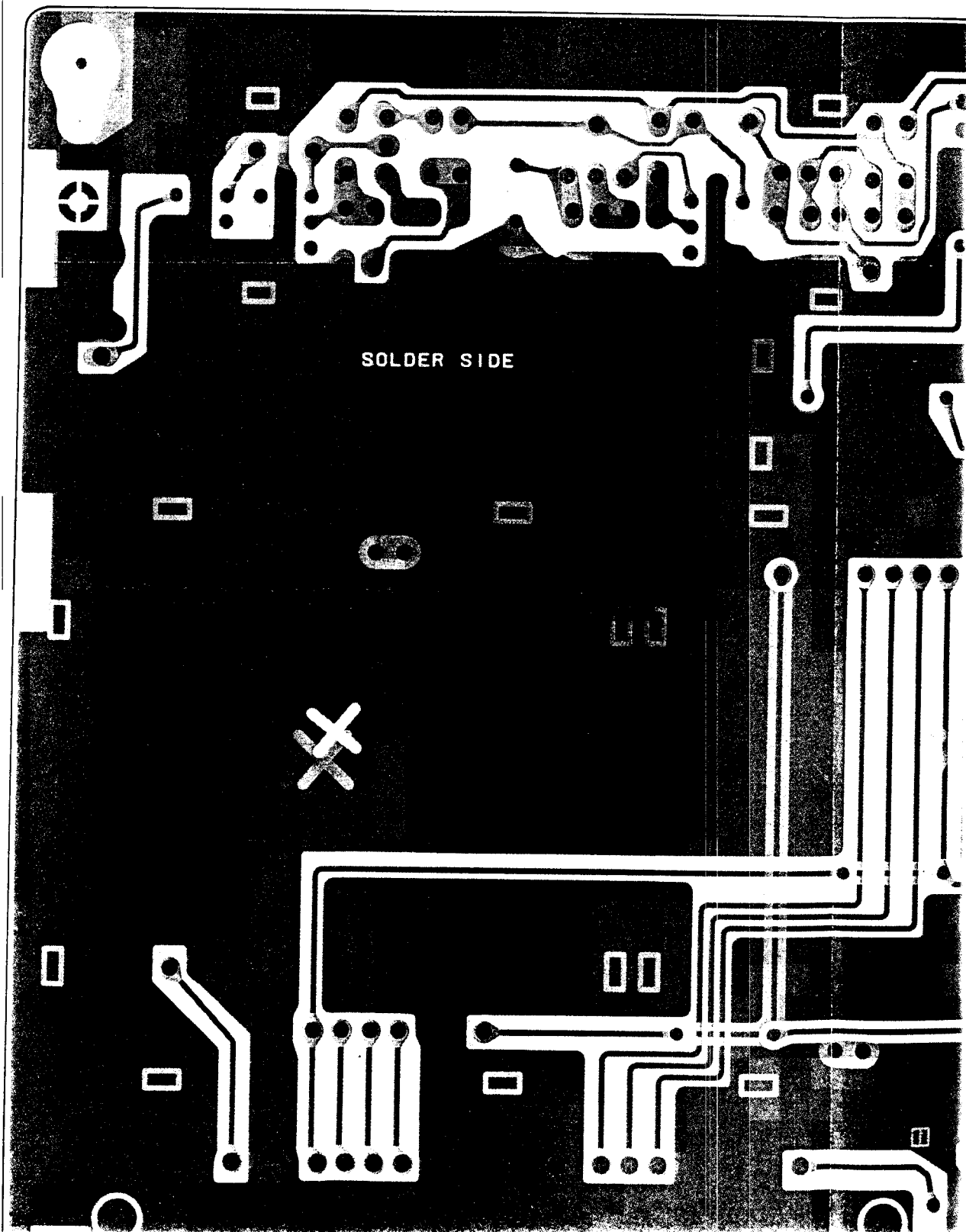
1SV103  
 (D4001, 4003, 4005, 4007, 4009)

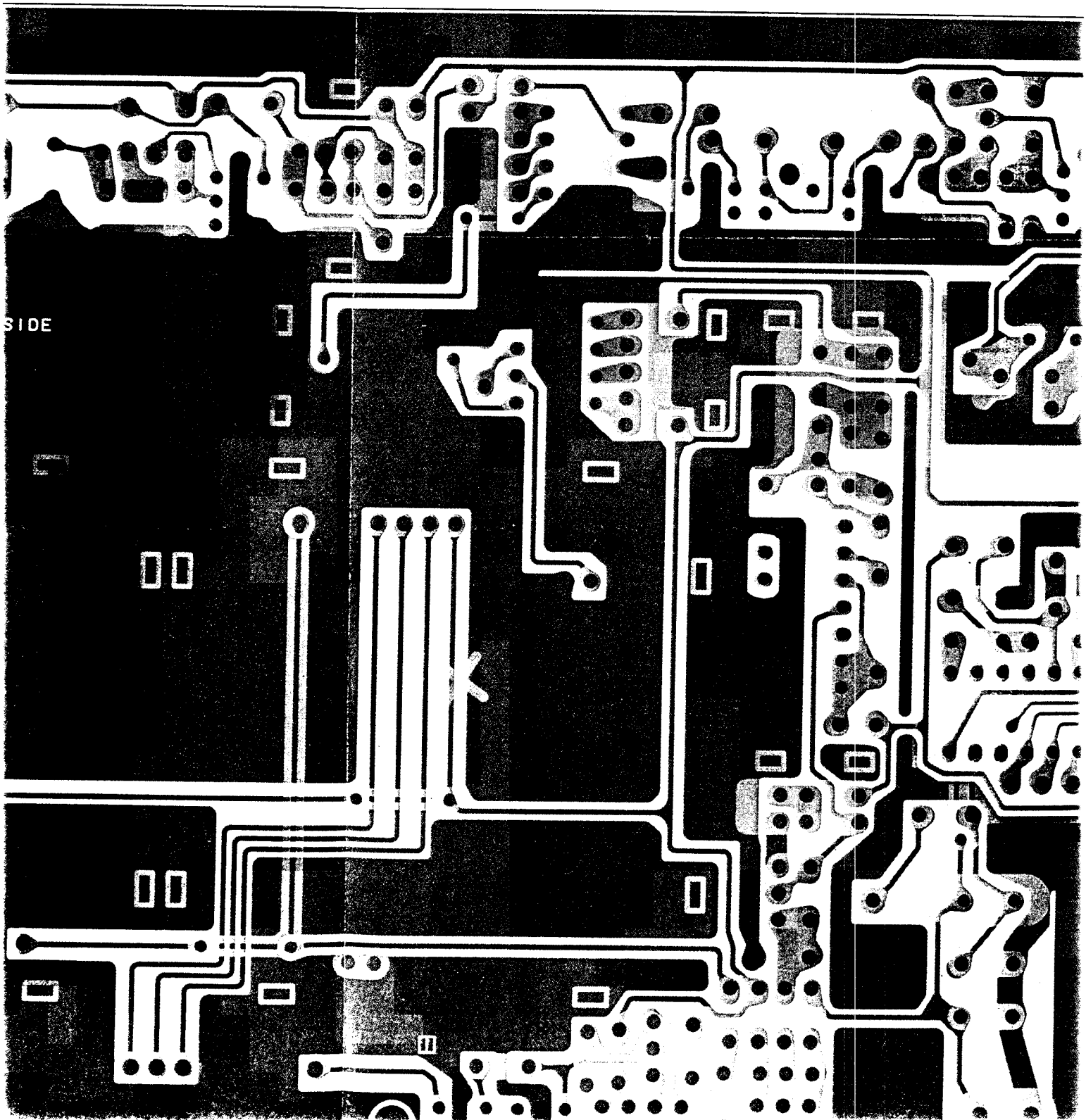


2SK184Y  
 (Q4014)

# Local Unit

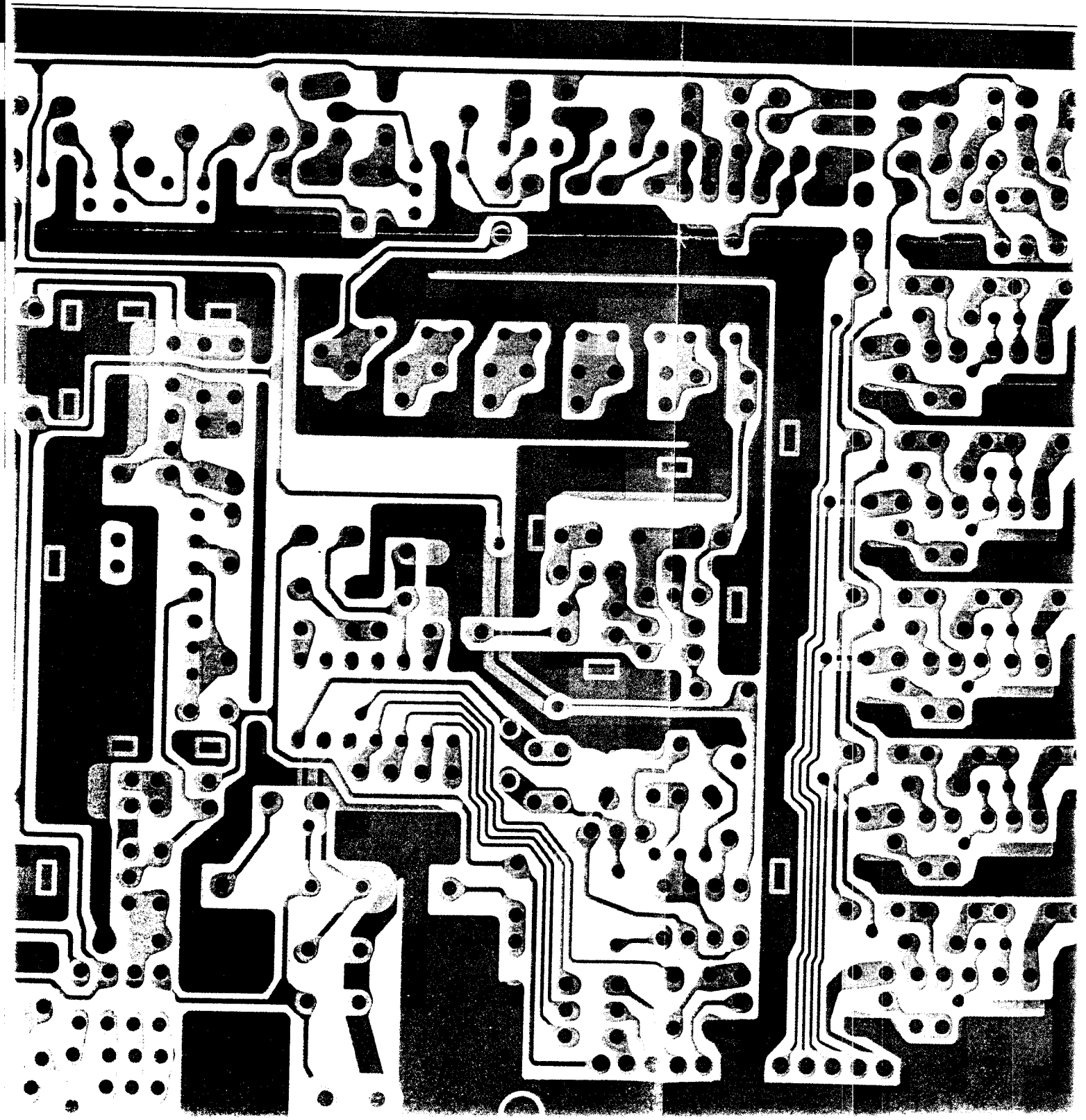
For Service Manuals Contact  
MAURITRON TECHNICAL SERVICES  
8 Cherry Tree Rd, Chinnor  
Oxon OX9 4QY  
Tel:- 01844-351694 Fax:- 01844-352554  
Email:- enquiries@mauritron.co.uk

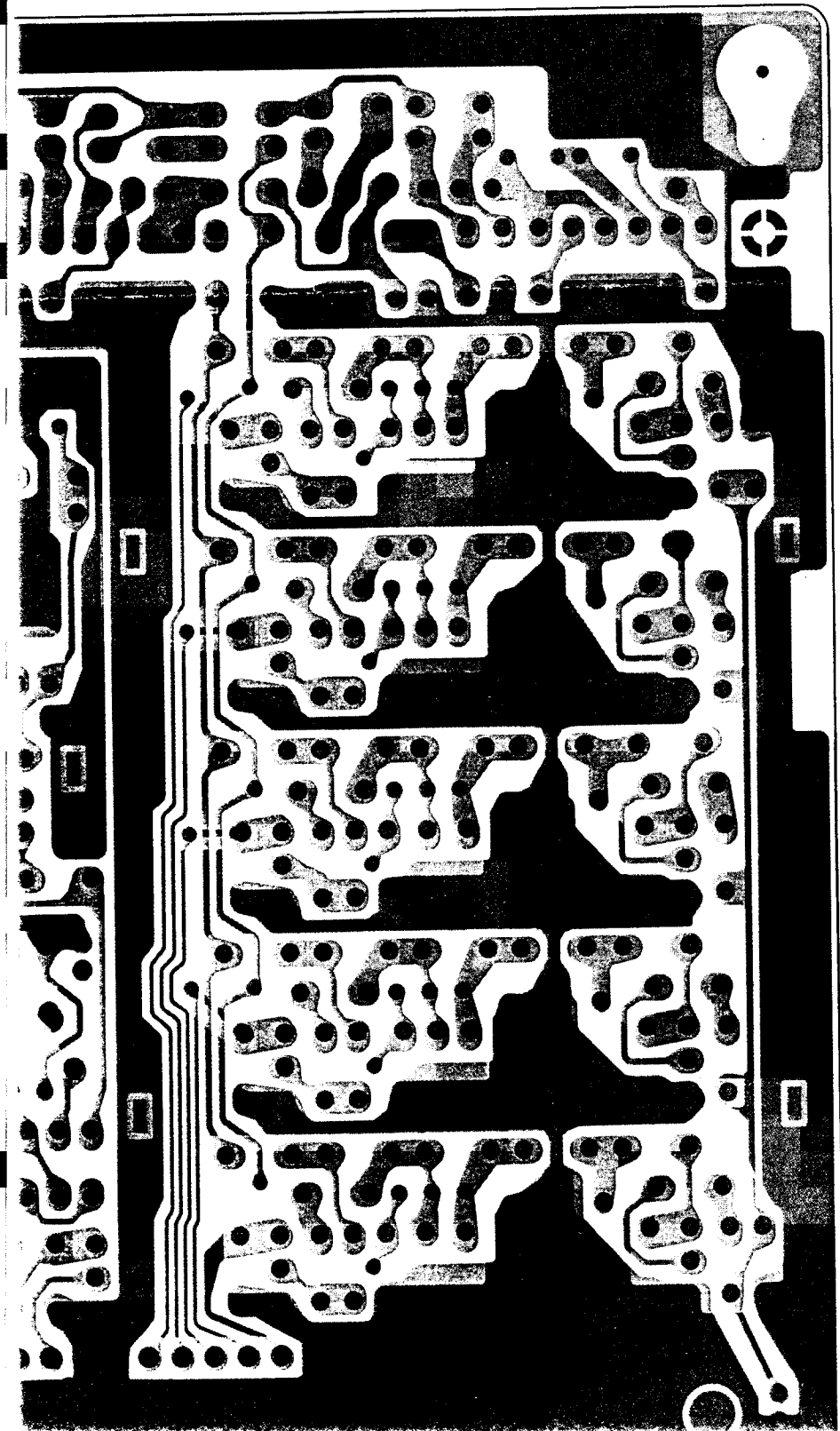




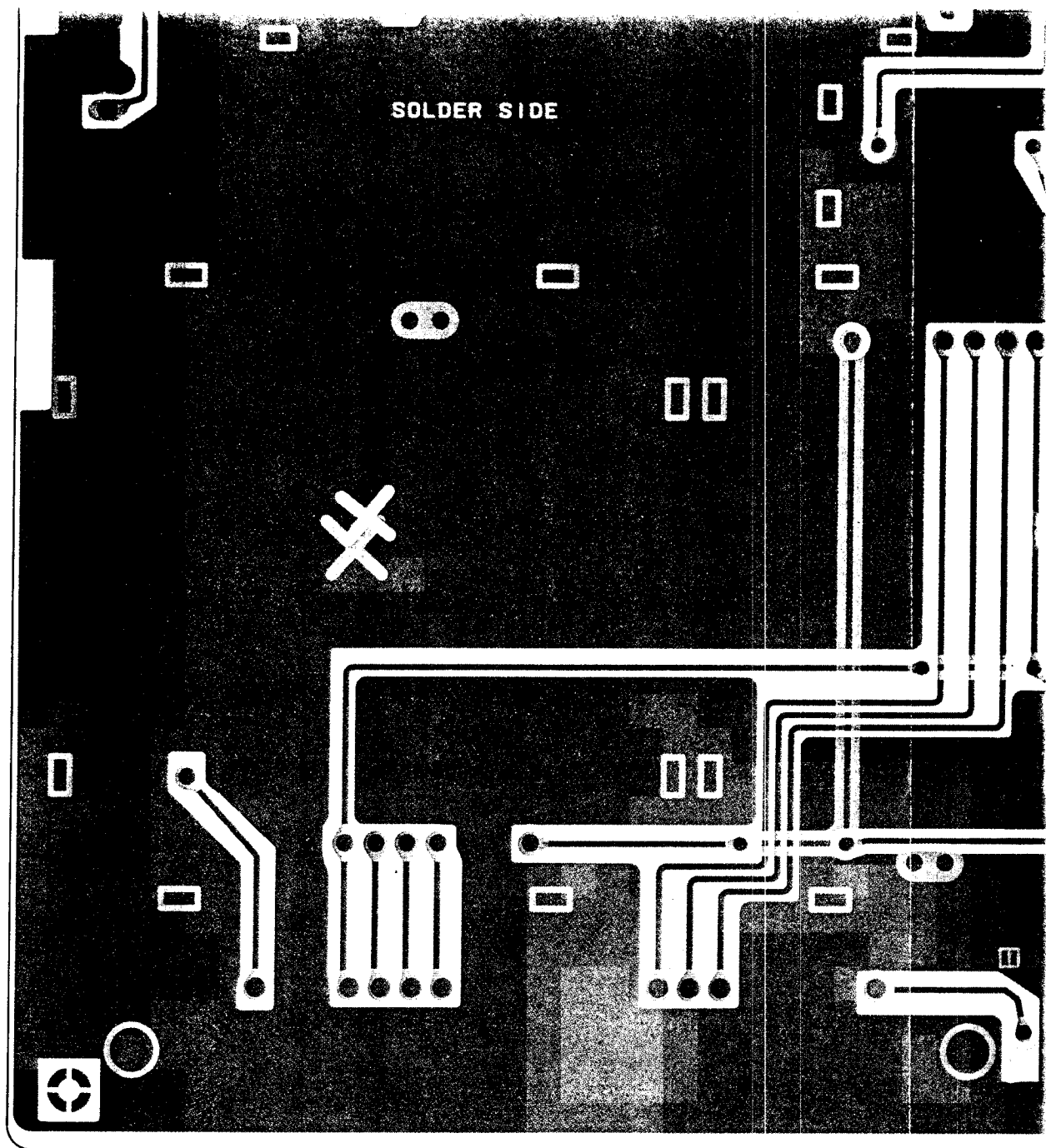
SIDE

11



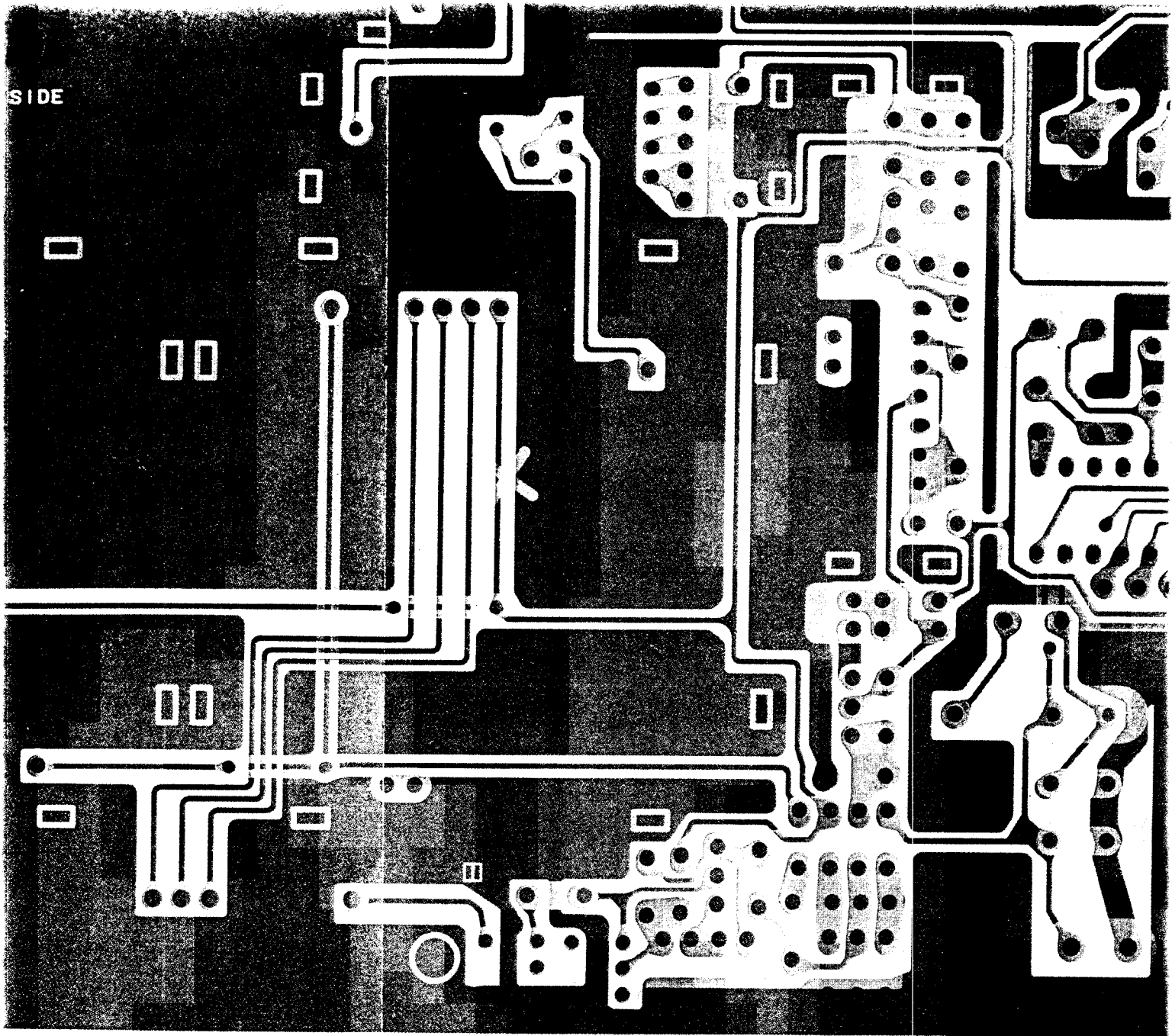


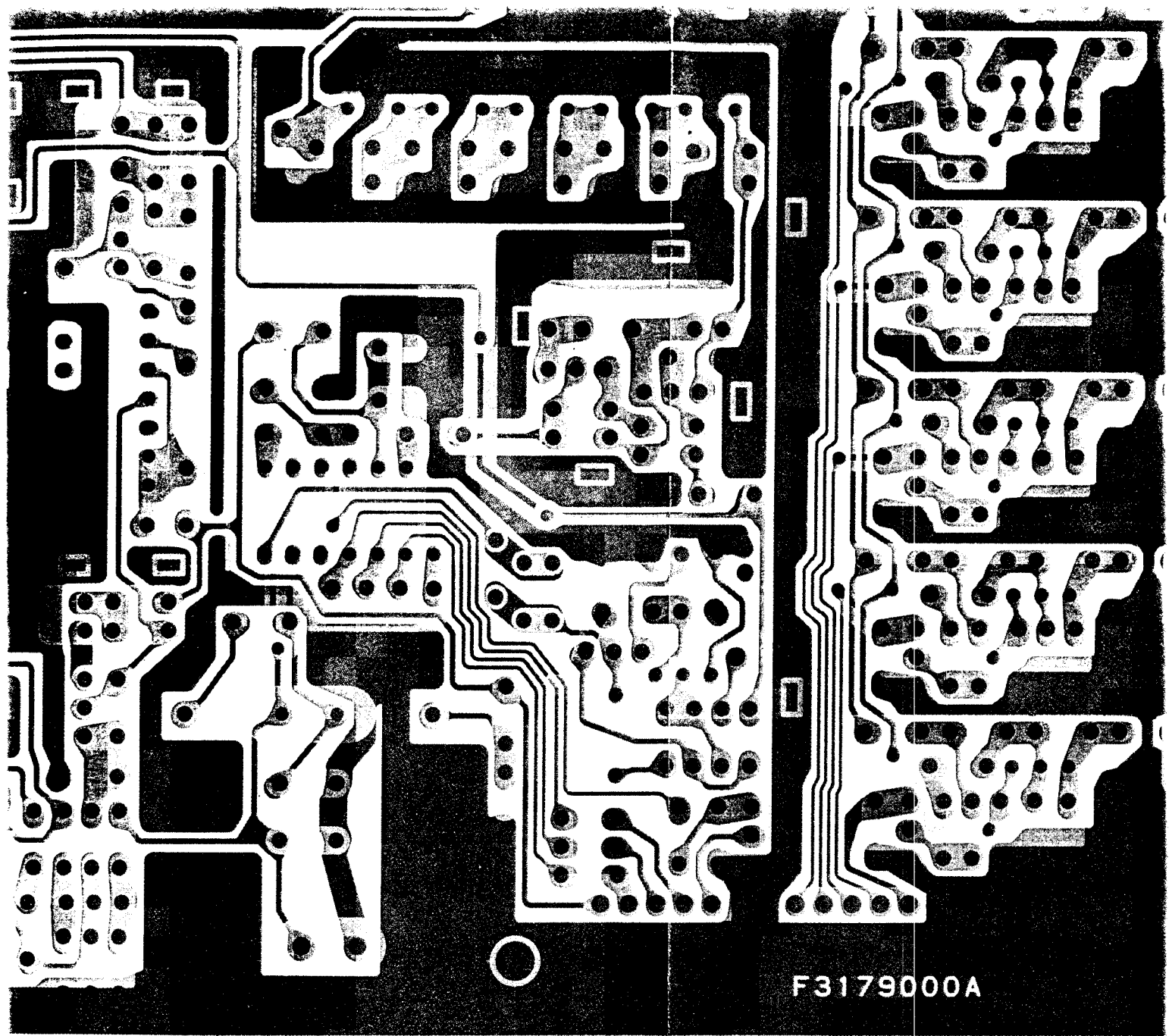




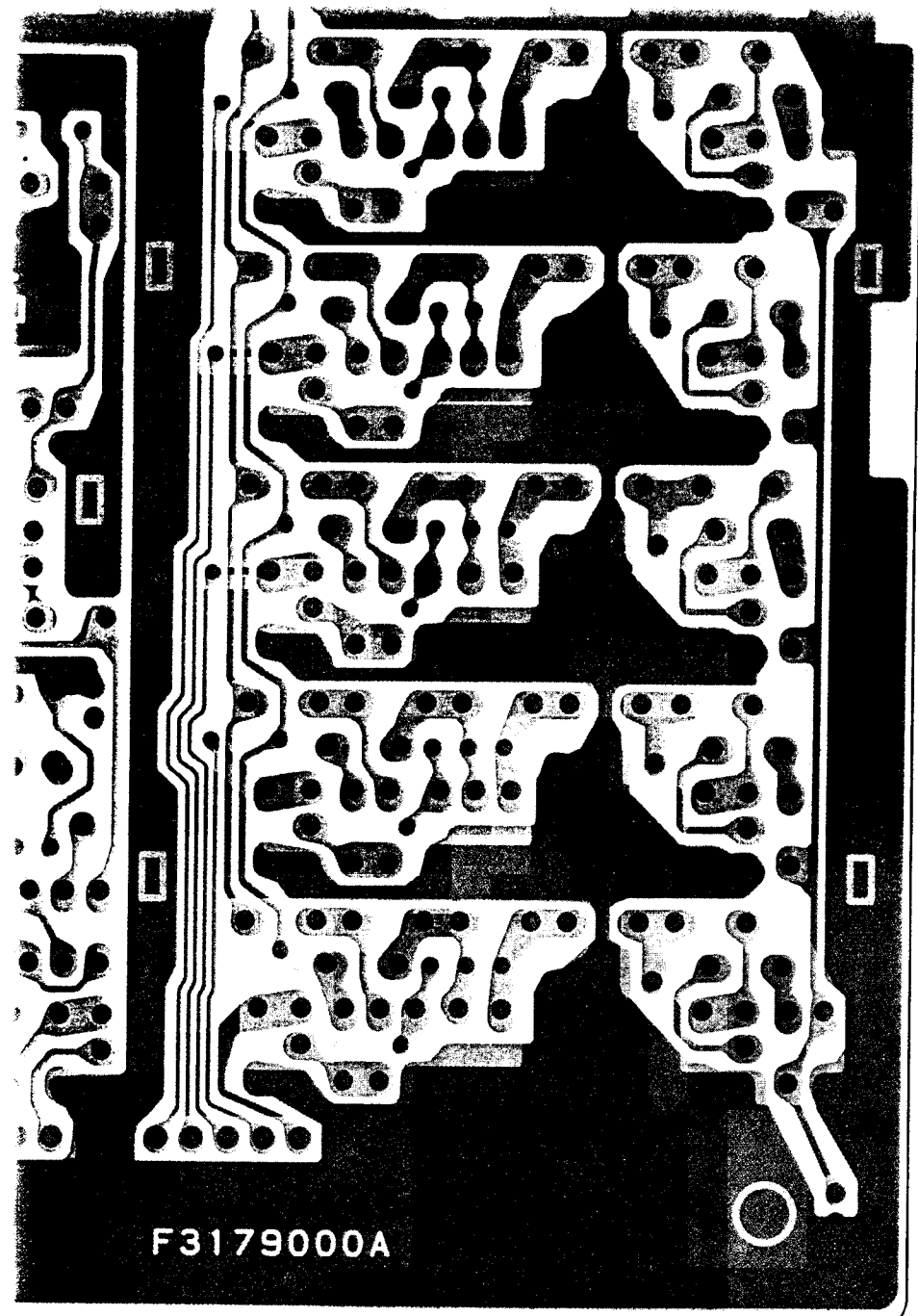
For Service Manuals Contact  
MAURITRON TECHNICAL SERVICES  
8 Cherry Tree Rd, Chinnor  
Oxon OX9 4QY  
Tel: 01844-351694 Fax: 01844-352554  
Email: enquiries@mauritron.co.uk

SIDE





F3179000A



F3179000A

(“solder” side)

REF.	YAESU P/N	DESCRIPTION	MFGR'S DESIG	VALUE	WV	TOL.	VERS.
*** LOCAL UNIT ***							
	CA0225001	P. C. B. W COMP.					W/O TCXO-2
	CA0225002	P. C. B. W COMP.					W TCXO-2
	CP3128001	P. C. B. W COMP. (W PLL-DDS, CAR-DDS UNIT)					W/O TCXO-2
	CP3128002	P. C. B. W COMP. (W PLL-DDS, CAR-DDS UNIT)					W TCXO-2
	F3179000A	P. C. B. W/O COMP.					
C 4001	K28129003	CERAMIC CAP.	EP050X222M-A-B	0.0022uF	16V	X	
C 4002	K28179028	CERAMIC CAP.	UP050SL270J-A-B	27pF	50V	SL	
C 4003	K28179032	CERAMIC CAP.	UP050SL560J-A-B	56pF	50V	SL	
C 4004	K28179028	CERAMIC CAP.	UP050SL270J-A-B	27pF	50V	SL	
C 4005	K28129003	CERAMIC CAP.	EP050X222M-A-B	0.0022uF	16V	X	
C 4006	K28179021	CERAMIC CAP.	UP050SL3R3K-A-B	3.3p	50V	SL	
C 4007	K28179031	CERAMIC CAP.	UP050SL470J-A-B	47pF	50V	SL	
C 4008	K28129003	CERAMIC CAP.	EP050X222M-A-B	0.0022uF	16V	X	
C 4009	K46140005	AL. ELECTRO. CAP.	25V101M6X11TR5	100uF	25V		
C 4010	K28129003	CERAMIC CAP.	EP050X222M-A-B	0.0022uF	16V	X	
C 4011	K28179017	CERAMIC CAP.	UP050UJ300J-A-B	30p	50V	UJ	
C 4012	K28179091	CERAMIC CAP.	UP050RH150J-A-B	15pF	50V	RH	
C 4013	K28179090	CERAMIC CAP.	UP050RH120J-A-B	12pF	50V	RH	
C 4014	K28179007	CERAMIC CAP.	UP050CH150J-A-B	15pF	50V	CH	
C 4015	K28179005	CERAMIC CAP.	UP050CH2R2K-A-B	2.2p	50V	CH	
C 4016	K28129003	CERAMIC CAP.	EP050X222M-A-B	0.0022uF	16V	X	
C 4017	K28129003	CERAMIC CAP.	EP050X222M-A-B	0.0022uF	16V	X	
C 4018	K28179016	CERAMIC CAP.	UP050UJ270J-A-B	27pF	50V	UJ	
C 4019	K28179091	CERAMIC CAP.	UP050RH150J-A-B	15pF	50V	RH	
C 4020	K28179090	CERAMIC CAP.	UP050RH120J-A-B	12pF	50V	RH	
C 4021	K28179091	CERAMIC CAP.	UP050RH150J-A-B	15pF	50V	RH	
C 4022	K28129003	CERAMIC CAP.	EP050X222M-A-B	0.0022uF	16V	X	
C 4023	K28179005	CERAMIC CAP.	UP050CH2R2K-A-B	2.2p	50V	CH	
C 4024	K28129003	CERAMIC CAP.	EP050X222M-A-B	0.0022uF	16V	X	
C 4025	K26171204	CERAMIC CAP.	DD104-979UJ330J50	33pF	50V	UJ	
C 4026	K28179012	CERAMIC CAP.	UP050UJ150J-A-B	15pF	50V	UJ	
C 4027	K28179006	CERAMIC CAP.	UP050CH120J-A-B	12pF	50V	CH	
C 4028	K28179008	CERAMIC CAP.	UP050CH180J-A-B	18pF	50V	CH	
C 4029	K28129003	CERAMIC CAP.	EP050X222M-A-B	0.0022uF	16V	X	
C 4030	K28179005	CERAMIC CAP.	UP050CH2R2K-A-B	2.2p	50V	CH	
C 4031	K28129003	CERAMIC CAP.	EP050X222M-A-B	0.0022uF	16V	X	
C 4032	K28179012	CERAMIC CAP.	UP050UJ150J-A-B	15pF	50V	UJ	
C 4033	K28179008	CERAMIC CAP.	UP050CH180J-A-B	18pF	50V	CH	
C 4034	K28179007	CERAMIC CAP.	UP050CH150J-A-B	15pF	50V	CH	
C 4035	K28179014	CERAMIC CAP.	UP050UJ200J-A-B	20p	50V	UJ	
C 4036	K28129003	CERAMIC CAP.	EP050X222M-A-B	0.0022uF	16V	X	
C 4037	K28179005	CERAMIC CAP.	UP050CH2R2K-A-B	2.2p	50V	CH	
C 4038	K28129003	CERAMIC CAP.	EP050X222M-A-B	0.0022uF	16V	X	
C 4039	K28129003	CERAMIC CAP.	EP050X222M-A-B	0.0022uF	16V	X	
C 4040	K28179014	CERAMIC CAP.	UP050UJ200J-A-B	20p	50V	UJ	
C 4041	K28179092	CERAMIC CAP.	UP050RH180J-A-B	18pF	50V	RH	
C 4042	K28179091	CERAMIC CAP.	UP050RH150J-A-B	15pF	50V	RH	
C 4043	K26170188	CERAMIC CAP.	DD104-979CH240J50	24p	50V	CH	
C 4044	K28129003	CERAMIC CAP.	EP050X222M-A-B	0.0022uF	16V	X	
C 4045	K28179005	CERAMIC CAP.	UP050CH2R2K-A-B	2.2p	50V	CH	
C 4046	K28129003	CERAMIC CAP.	EP050X222M-A-B	0.0022uF	16V	X	
C 4047	K56170057	CAP.	50F2Z103MTP	0.01	50V		
C 4048	K50177154	FILM CAP.	50F2U154M	0.15	50V		

# Local Unit

REF.	YAESU P/N	DESCRIPTION	MFGR'S DESIG	VALUE	WV	TOL.	VERS.
C 4049	K46140005	AL. ELECTRO. CAP.	25V101M6X11TR5	100uF	25V		
C 4050	K28179024	CERAMIC CAP.	UP050SL8R2K-A-B	8. 2p	50V	SL	
C 4051	K28179021	CERAMIC CAP.	UP050SL3R3K-A-B	3. 3p	50V	SL	
C 4052	K28129003	CERAMIC CAP.	EP050X222M-A-B	0. 0022uF	16V	X	
C 4053	K28129003	CERAMIC CAP.	EP050X222M-A-B	0. 0022uF	16V	X	
C 4054	K28129003	CERAMIC CAP.	EP050X222M-A-B	0. 0022uF	16V	X	
C 4055	K28129003	CERAMIC CAP.	EP050X222M-A-B	0. 0022uF	16V	X	
C 4056	K28129001	CERAMIC CAP.	EP050Y103N-A	0. 01uF	16V	Y	
C 4057	K28129001	CERAMIC CAP.	EP050Y103N-A	0. 01uF	16V	Y	
C 4058	K28129003	CERAMIC CAP.	EP050X222M-A-B	0. 0022uF	16V	X	
C 4059	K28129001	CERAMIC CAP.	EP050Y103N-A	0. 01uF	16V	Y	
C 4060	K28179024	CERAMIC CAP.	UP050SL8R2K-A-B	8. 2p	50V	SL	
C 4061	K26170096	CERAMIC CAP.	DD104-979SL1R5C50	1. 5p	50V	SL	
C 4062	K26171012	CERAMIC CAP.	DD104-979SL200J50	20p	50V	SL	
C 4063	K26171006	CERAMIC CAP.	DD104-979SL110J50	11p	50V	SL	
C 4064	K26171008	CERAMIC CAP.	DD104-979SL130J50	13p	50V	SL	
C 4065	K26171012	CERAMIC CAP.	DD104-979SL200J50	20p	50V	SL	
C 4066	K26171006	CERAMIC CAP.	DD104-979SL110J50	11p	50V	SL	
C 4067	K26171010	CERAMIC CAP.	DD104-979SL160J50	16p	50V	SL	
C 4068	K26171010	CERAMIC CAP.	DD104-979SL160J50	16p	50V	SL	
C 4069	K28179037	CERAMIC CAP.	UP050SL5R6K-A-B	5. 6p	50V	SL	
C 4070	K28179024	CERAMIC CAP.	UP050SL8R2K-A-B	8. 2p	50V	SL	
C 4071	K28129001	CERAMIC CAP.	EP050Y103N-A	0. 01uF	16V	Y	
C 4072	K28129001	CERAMIC CAP.	EP050Y103N-A	0. 01uF	16V	Y	
C 4073	K28129001	CERAMIC CAP.	EP050Y103N-A	0. 01uF	16V	Y	
C 4074	K26171605	CERAMIC CAP.	DD104-979B181K50	180pF	50V	B	
C 4075	K28129001	CERAMIC CAP.	EP050Y103N-A	0. 01uF	16V	Y	
C 4076	K46140005	AL. ELECTRO. CAP.	25V101M6X11TR5	100uF	25V		
C 4077	K28129001	CERAMIC CAP.	EP050Y103N-A	0. 01uF	16V	Y	
C 4078	K26171208	CERAMIC CAP.	DD104-979UJ470J50	47pF	50V	UJ	W/O TCXO-2
C 4079	K26170300	CERAMIC CAP.	DD104-979UJ220J50	22pF	50V	UJ	W/O TCXO-2
C 4080	K26171602	CERAMIC CAP.	DD104-979B101K50	100pF	50V	B	
C 4081	K26171602	CERAMIC CAP.	DD104-979B101K50	100pF	50V	B	
C 4082	K26171602	CERAMIC CAP.	DD104-979B101K50	100pF	50V	B	
C 4083	K28129001	CERAMIC CAP.	EP050Y103N-A	0. 01uF	16V	Y	
C 4084	K46170017	AL. ELECTRO. CAP.	50V010M5X11TR5	1uF	50V		
C 4085	K28129001	CERAMIC CAP.	EP050Y103N-A	0. 01uF	16V	Y	
C 4086	K28179051	CERAMIC CAP.	UP050CH4R7K-A-B	4. 7p	50V	CH	
C 4087	K26171602	CERAMIC CAP.	DD104-979B101K50	100pF	50V	B	
C 4088	K28179022	CERAMIC CAP.	UP050SL4R7K-A-B	4. 7p	50V	SL	
C 4089	K28129001	CERAMIC CAP.	EP050Y103N-A	0. 01uF	16V	Y	
C 4090	K28129001	CERAMIC CAP.	EP050Y103N-A	0. 01uF	16V	Y	
C 4091	K28179023	CERAMIC CAP.	UP050SL6R8K-A-B	6. 8p	50V	SL	
C 4092	K28179031	CERAMIC CAP.	UP050SL470J-A-B	47pF	50V	SL	
C 4093	K26171005	CERAMIC CAP.	DD104-979SL100D50	10pF	50V	SL	
C 4094	K28129001	CERAMIC CAP.	EP050Y103N-A	0. 01uF	16V	Y	
C 4095	K28129001	CERAMIC CAP.	EP050Y103N-A	0. 01uF	16V	Y	
C 4096	K28129001	CERAMIC CAP.	EP050Y103N-A	0. 01uF	16V	Y	
C 4097	K26171025	CERAMIC CAP.	DD104-979SL680J50	68pF	50V	SL	
C 4098	K26171009	CERAMIC CAP.	DD104-979SL150J50	15pF	50V	SL	
C 4099	K26171602	CERAMIC CAP.	DD104-979B101K50	100pF	50V	B	
C 4100	K28179022	CERAMIC CAP.	UP050SL4R7K-A-B	4. 7p	50V	SL	
C 4101	K26171025	CERAMIC CAP.	DD104-979SL680J50	68pF	50V	SL	
C 4102	K28129001	CERAMIC CAP.	EP050Y103N-A	0. 01uF	16V	Y	
C 4103	K28179002	CERAMIC CAP.	UP050F473Z-A-B	0. 047uF	50V	F	

For Service Manuals Contact  
**MAURITRON TECHNICAL SERVICES**  
 8 Cherry Tree Rd, Chinnor  
 Oxon OX9 4QY  
 Tel:- 01844-351694 Fax:- 01844-352554  
 Email:- enquiries@mauritron.co.uk

REF.	YAESU P/N	DESCRIPTION	MFRG'S DESIG	VALUE	WV	TOL.	VERS.
C 4104	K28179002	CERAMIC CAP.	UP050F473Z-A-B	0.047uF	50V	F	
C 4105	K28179002	CERAMIC CAP.	UP050F473Z-A-B	0.047uF	50V	F	
C 4106	K28179002	CERAMIC CAP.	UP050F473Z-A-B	0.047uF	50V	F	
C 4107	K28129001	CERAMIC CAP.	EP050Y103N-A	0.01uF	16V	Y	
C 4108	K28129003	CERAMIC CAP.	EP050X222M-A-B	0.0022uF	16V	X	
C 4109	K26170096	CERAMIC CAP.	DD104-979SL1R5C50	1.5p	50V	SL	
C 4110	K26170095	CERAMIC CAP.	DD104-979SL010C50	1pF	50V	SL	
C 4111	K26170095	CERAMIC CAP.	DD104-979SL010C50	1pF	50V	SL	
C 4112	K28129003	CERAMIC CAP.	EP050X222M-A-B	0.0022uF	16V	X	
C 4113	K28129001	CERAMIC CAP.	EP050Y103N-A	0.01uF	16V	Y	
C 4114	K28129001	CERAMIC CAP.	EP050Y103N-A	0.01uF	16V	Y	
C 4115	K28129001	CERAMIC CAP.	EP050Y103N-A	0.01uF	16V	Y	
C 4116	K28129001	CERAMIC CAP.	EP050Y103N-A	0.01uF	16V	Y	
C 4117	K28129003	CERAMIC CAP.	EP050X222M-A-B	0.0022uF	16V	X	
C 4118	K28129003	CERAMIC CAP.	EP050X222M-A-B	0.0022uF	16V	X	
C 4119	K26170095	CERAMIC CAP.	DD104-979SL010C50	1pF	50V	SL	
C 4120	K26171005	CERAMIC CAP.	DD104-979SL100D50	10pF	50V	SL	
C 4121	K28129003	CERAMIC CAP.	EP050X222M-A-B	0.0022uF	16V	X	
C 4122	K28129003	CERAMIC CAP.	EP050X222M-A-B	0.0022uF	16V	X	
C 4123	K28129003	CERAMIC CAP.	EP050X222M-A-B	0.0022uF	16V	X	
C 4124	K28129003	CERAMIC CAP.	EP050X222M-A-B	0.0022uF	16V	X	
C 4125	K28179020	CERAMIC CAP.	UP050SL2R2K-A-B	2.2p	50V	SL	
C 4126	K28129003	CERAMIC CAP.	EP050X222M-A-B	0.0022uF	16V	X	
C 4127	K26170095	CERAMIC CAP.	DD104-979SL010C50	1pF	50V	SL	
C 4128	K28129001	CERAMIC CAP.	EP050Y103N-A	0.01uF	16V	Y	
C 4129	K46140005	AL. ELECTRO. CAP.	25V101M6X11TR5	100uF	25V		
CF4001	H3900403	CERAMIC FILTER	SFT5.57MA				
D 4001	G2050013	DIODE	1SV103(TPE4)				
D 4002	G2060010	DIODE	1SS110TJ				
D 4003	G2050013	DIODE	1SV103(TPE4)				
D 4004	G2060010	DIODE	1SS110TJ				
D 4005	G2050013	DIODE	1SV103(TPE4)				
D 4006	G2060010	DIODE	1SS110TJ				
D 4007	G2050013	DIODE	1SV103(TPE4)				
D 4008	G2060010	DIODE	1SS110TJ				
D 4009	G2050013	DIODE	1SV103(TPE4)				
D 4010	G2060010	DIODE	1SS110TJ				
D 4011	G2060004	DIODE	1SS270TJ				
D 4012	G2060004	DIODE	1SS270TJ				
J 4001	P1090255	CONNECTOR	TMP-J01X-A2				
J 4002	P0090741	CONNECTOR	EC1C-22P-2.5DSA				
J 4003	P0090741	CONNECTOR	EC1C-22P-2.5DSA				
J 4004	P1090255	CONNECTOR	TMP-J01X-A2				
JP4001	T9206044	WIRE-ASSY					
L 4001	L0021409	COIL	0.117U T25-12				
L 4002	L0021409	COIL	0.117U T25-12				
L 4003	L1790050	M. RFC	LAP02TA2R2K	2.2uH			
L 4004	L1790058	M. RFC	LAP02TA100K	10uH			
L 4005	L1790058	M. RFC	LAP02TA100K	10uH			
L 4006	L1790066	M. RFC	LAP02TA470K	47uH			

For Service Manuals Contact  
**MAURITRON TECHNICAL SERVICES**  
8 Cherry Tree Rd, Chinnor  
Oxon OX9 4QY  
Tel:- 01844-351694 Fax:- 01844-352554  
Email:- enquiries@mauritron.co.uk

# Local Unit

REF.	YAESU P/N	DESCRIPTION	MFGR'S DESIG	VALUE	WV	TOL.	VERS.
L 4007	L1790051	M. RFC	LAP02TA2R7K	2.7u			
L 4008	L1790066	M. RFC	LAP02TA470K	47uH			
L 4009	L1790052	M. RFC	LAP02TA3R3K	3.3uH			
L 4010	L1790066	M. RFC	LAP02TA470K	47uH			
L 4011	L1790053	M. RFC	LAP02TA3R9K	3.9uH			
L 4012	L1790066	M. RFC	LAP02TA470K	47uH			
L 4013	L1790054	M. RFC	LAP02TA4R7K	4.7uH			
L 4014	L1790066	M. RFC	LAP02TA470K	47uH			
L 4015	L1790055	M. RFC	LAP02TA5R6K	5.6uH			
L 4016	L1790072	M. RFC	LAP02TA151K	150uH			
L 4017	L1790072	M. RFC	LAP02TA151K	150uH			
L 4018	L1790072	M. RFC	LAP02TA151K	150uH			
L 4019	L1790072	M. RFC	LAP02TA151K	150uH			
L 4020	L1790072	M. RFC	LAP02TA151K	150uH			
L 4021	L1790060	M. RFC	LAP02TA150K	15uH			
L 4022	L1790061	M. RFC	LAP02TA180K	18uH			
L 4023	L1790058	M. RFC	LAP02TA100K	10uH			
Q 4001	G3305354B	TRANSISTOR	2SC535BTZ				
Q 4002	G3305354B	TRANSISTOR	2SC535BTZ				
Q 4003	G3801921B	FET	2SK192A-BL				
Q 4004	G3050003	TRANSISTOR	BA1A4P-T				
Q 4005	G3801921B	FET	2SK192A-BL				
Q 4006	G3050003	TRANSISTOR	BA1A4P-T				
Q 4007	G3801921B	FET	2SK192A-BL				
Q 4008	G3050003	TRANSISTOR	BA1A4P-T				
Q 4009	G3801921B	FET	2SK192A-BL				
Q 4010	G3050003	TRANSISTOR	BA1A4P-T				
Q 4011	G3801921B	FET	2SK192A-BL				
Q 4012	G3050003	TRANSISTOR	BA1A4P-T				
Q 4013	G3307320B	TRANSISTOR	2SC732TMBL				
Q 4014	G3801844Y	FET	2SK184Y (TPE4)				
Q 4015	G3801924G	FET	2SK192AGR (TPE4)				
Q 4016	G3305354B	TRANSISTOR	2SC535BTZ				
Q 4017	G1090101	IC	UPC1037H				
Q 4018	G3801924G	FET	2SK192AGR (TPE4)				
Q 4019	G3305354B	TRANSISTOR	2SC535BTZ				
Q 4020	G1090834	IC	CX-7925B				
Q 4021	G3304584C	TRANSISTOR	2SC458CTZ				
Q 4022	G3802414G	FET	2SK241GR (TPE4)				
Q 4023	G3304584C	TRANSISTOR	2SC458CTZ				
Q 4024	G3304584C	TRANSISTOR	2SC458CTZ				
Q 4025	G1091006	IC	HD74HC74P				
Q 4026	G1090012	IC	SN16913P				
Q 4027	G3305354B	TRANSISTOR	2SC535BTZ				
Q 4028	G1090012	IC	SN16913P				
Q 4029	G3305354B	TRANSISTOR	2SC535BTZ				
Q 4030	G3801924G	FET	2SK192AGR (TPE4)				
Q 4031	G3305354B	TRANSISTOR	2SC535BTZ				
R 4001	J07225101	CARBON FILM RES.	RD16TPJ101	100		1/6W	
R 4002	J07225470	CARBON FILM RES.	RD16TPJ470	47		1/6W	
R 4003	J07225104	CARBON FILM RES.	RD16TPJ104	100K		1/6W	
R 4004	J07225101	CARBON FILM RES.	RD16TPJ101	100		1/6W	
R 4005	J07225471	CARBON FILM RES.	RD16TPJ471	470		1/6W	



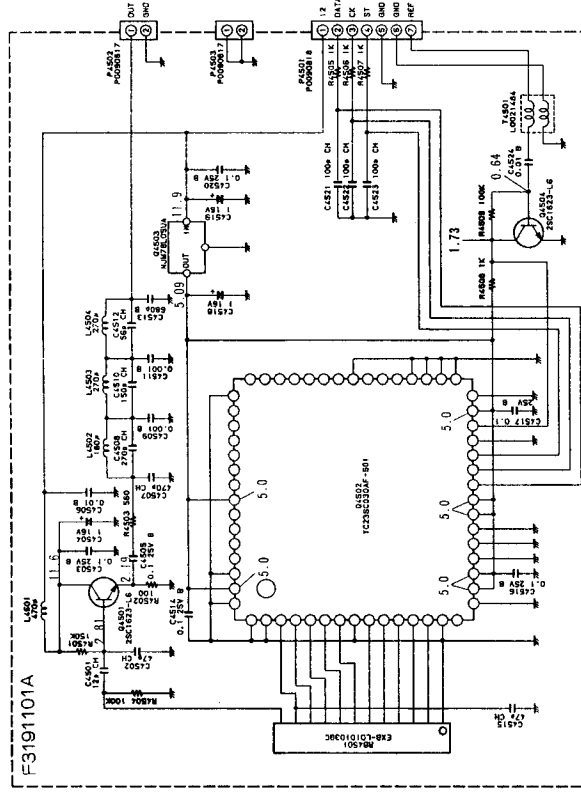
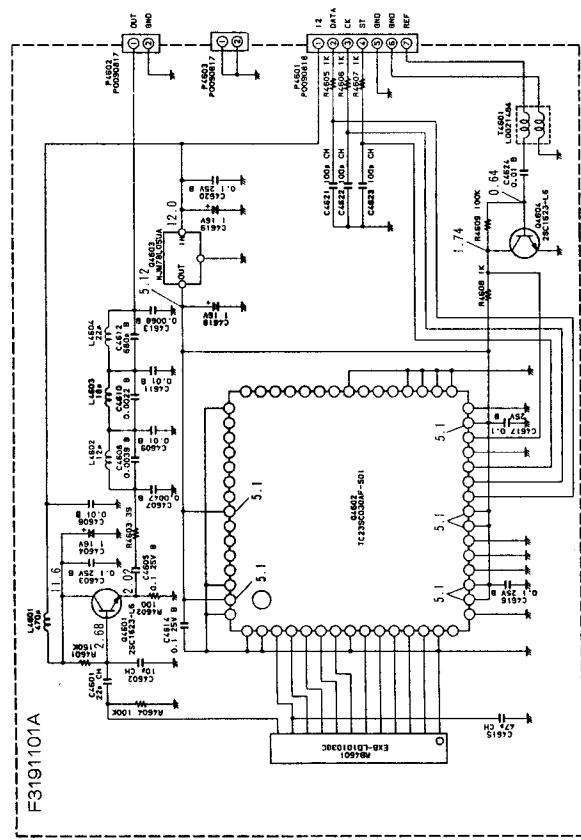
REF.	YAESU P/N	DESCRIPTION	MFGR'S DESIG	VALUE	WV	TOL.	VERS.
R 4006	J07225472	CARBON FILM RES.	RD16TPJ472	4. 7K	1/6W		
R 4007	J07225101	CARBON FILM RES.	RD16TPJ101	100	1/6W		
R 4008	J07225221	CARBON FILM RES.	RD16TPJ221	220	1/6W		
R 4009	J07225104	CARBON FILM RES.	RD16TPJ104	100K	1/6W		
R 4010	J07225104	CARBON FILM RES.	RD16TPJ104	100K	1/6W		
R 4011	J07225151	CARBON FILM RES.	RD16TPJ151	150	1/6W		
R 4012	J07225332	CARBON FILM RES.	RD16TPJ332	3. 3K	1/6W		
R 4013	J07225221	CARBON FILM RES.	RD16TPJ221	220	1/6W		
R 4014	J07225104	CARBON FILM RES.	RD16TPJ104	100K	1/6W		
R 4015	J07225104	CARBON FILM RES.	RD16TPJ104	100K	1/6W		
R 4016	J07225151	CARBON FILM RES.	RD16TPJ151	150	1/6W		
R 4017	J07225332	CARBON FILM RES.	RD16TPJ332	3. 3K	1/6W		
R 4018	J07225221	CARBON FILM RES.	RD16TPJ221	220	1/6W		
R 4019	J07225104	CARBON FILM RES.	RD16TPJ104	100K	1/6W		
R 4020	J07225104	CARBON FILM RES.	RD16TPJ104	100K	1/6W		
R 4021	J07225151	CARBON FILM RES.	RD16TPJ151	150	1/6W		
R 4022	J07225332	CARBON FILM RES.	RD16TPJ332	3. 3K	1/6W		
R 4023	J07225221	CARBON FILM RES.	RD16TPJ221	220	1/6W		
R 4024	J07225104	CARBON FILM RES.	RD16TPJ104	100K	1/6W		
R 4025	J07225104	CARBON FILM RES.	RD16TPJ104	100K	1/6W		
R 4026	J07225151	CARBON FILM RES.	RD16TPJ151	150	1/6W		
R 4027	J07225332	CARBON FILM RES.	RD16TPJ332	3. 3K	1/6W		
R 4028	J07225221	CARBON FILM RES.	RD16TPJ221	220	1/6W		
R 4029	J07225104	CARBON FILM RES.	RD16TPJ104	100K	1/6W		
R 4030	J07225104	CARBON FILM RES.	RD16TPJ104	100K	1/6W		
R 4031	J07225151	CARBON FILM RES.	RD16TPJ151	150	1/6W		
R 4032	J07225332	CARBON FILM RES.	RD16TPJ332	3. 3K	1/6W		
R 4033	J07225102	CARBON FILM RES.	RD16TPJ102	1K	1/6W		
R 4034	J07225152	CARBON FILM RES.	RD16TPJ152	1. 5K	1/6W		
R 4035	J07225331	CARBON FILM RES.	RD16TPJ331	330	1/6W		
R 4036	J07225182	CARBON FILM RES.	RD16TPJ182	1. 8K	1/6W		
R 4037	J07225681	CARBON FILM RES.	RD16TPJ681	680	1/6W		
R 4038	J07225562	CARBON FILM RES.	RD16TPJ562	5. 6K	1/6W		
R 4039	J07225101	CARBON FILM RES.	RD16TPJ101	100	1/6W		
R 4040	J07225103	CARBON FILM RES.	RD16TPJ103	10K	1/6W		
R 4041	J07225471	CARBON FILM RES.	RD16TPJ471	470	1/6W		
R 4042	J07225101	CARBON FILM RES.	RD16TPJ101	100	1/6W		
R 4043	J07225154	CARBON FILM RES.	RD16TPJ154	150K	1/6W		
R 4044	J07225101	CARBON FILM RES.	RD16TPJ101	100	1/6W		
R 4045	J07225471	CARBON FILM RES.	RD16TPJ471	470	1/6W		
R 4046	J07225391	CARBON FILM RES.	RD16TPJ391	390	1/6W		
R 4047	J07225331	CARBON FILM RES.	RD16TPJ331	330	1/6W		
R 4048	J07225471	CARBON FILM RES.	RD16TPJ471	470	1/6W		
R 4049	J07225154	CARBON FILM RES.	RD16TPJ154	150K	1/6W		
R 4050	J07225102	CARBON FILM RES.	RD16TPJ102	1K	1/6W		
R 4052	J07225101	CARBON FILM RES.	RD16TPJ101	100	1/6W		
R 4053	J07225221	CARBON FILM RES.	RD16TPJ221	220	1/6W		
R 4054	J07225221	CARBON FILM RES.	RD16TPJ221	220	1/6W		
R 4055	J07225221	CARBON FILM RES.	RD16TPJ221	220	1/6W		
R 4056	J07225103	CARBON FILM RES.	RD16TPJ103	10K	1/6W		
R 4057	J07225103	CARBON FILM RES.	RD16TPJ103	10K	1/6W		
R 4058	J07225104	CARBON FILM RES.	RD16TPJ104	100K	1/6W		
R 4059	J07225101	CARBON FILM RES.	RD16TPJ101	100	1/6W		
R 4060	J07225104	CARBON FILM RES.	RD16TPJ104	100K	1/6W		
R 4061	J07225331	CARBON FILM RES.	RD16TPJ331	330	1/6W		

# Local Unit

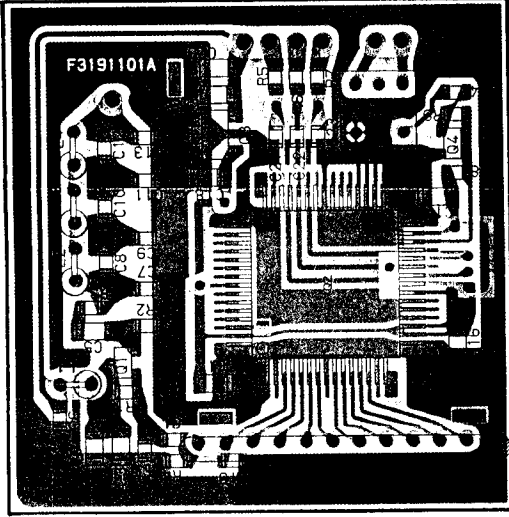
REF.	YAESU P/N	DESCRIPTION	MFRG'S DESIG	VALUE	WV	TOL.	VERS.
R 4062	J07225331	CARBON FILM RES.	RD16TPJ331	330	1/6W		
R 4063	J07225103	CARBON FILM RES.	RD16TPJ103	10K	1/6W		
R 4064	J07225273	CARBON FILM RES.	RD16TPJ273	27K	1/6W		
R 4065	J07225471	CARBON FILM RES.	RD16TPJ471	470	1/6W		
R 4066	J07225101	CARBON FILM RES.	RD16TPJ101	100	1/6W		
R 4067	J07225220	CARBON FILM RES.	RD16TPJ220	22	1/6W		
R 4068	J07225104	CARBON FILM RES.	RD16TPJ104	100K	1/6W		
R 4069	J07225102	CARBON FILM RES.	RD16TPJ102	1K	1/6W		
R 4070	J07225472	CARBON FILM RES.	RD16TPJ472	4.7K	1/6W		
R 4071	J07225681	CARBON FILM RES.	RD16TPJ681	680	1/6W		
R 4072	J07225101	CARBON FILM RES.	RD16TPJ101	100	1/6W		
R 4073	J07225101	CARBON FILM RES.	RD16TPJ101	100	1/6W		
R 4074	J07225471	CARBON FILM RES.	RD16TPJ471	470	1/6W		
R 4075	J07225470	CARBON FILM RES.	RD16TPJ470	47	1/6W		
R 4076	J07225333	CARBON FILM RES.	RD16TPJ333	33K	1/6W		
R 4077	J07225103	CARBON FILM RES.	RD16TPJ103	10K	1/6W		
R 4078	J07225101	CARBON FILM RES.	RD16TPJ101	100	1/6W		
R 4079	J07225101	CARBON FILM RES.	RD16TPJ101	100	1/6W		
R 4080	J07225471	CARBON FILM RES.	RD16TPJ471	470	1/6W		
R 4081	J07225154	CARBON FILM RES.	RD16TPJ154	150K	1/6W		
R 4082	J07225101	CARBON FILM RES.	RD16TPJ101	100	1/6W		
R 4083	J07225221	CARBON FILM RES.	RD16TPJ221	220	1/6W		
R 4084	J07225473	CARBON FILM RES.	RD16TPJ473	47K	1/6W		
R 4085	J07225101	CARBON FILM RES.	RD16TPJ101	100	1/6W		
R 4086	J07225103	CARBON FILM RES.	RD16TPJ103	10K	1/6W		
R 4087	J07225333	CARBON FILM RES.	RD16TPJ333	33K	1/6W		
R 4088	J07225470	CARBON FILM RES.	RD16TPJ470	47	1/6W		
R 4089	J07225471	CARBON FILM RES.	RD16TPJ471	470	1/6W		
R 4090	J07225470	CARBON FILM RES.	RD16TPJ470	47	1/6W		
R 4091	J07225470	CARBON FILM RES.	RD16TPJ470	47	1/6W		
R 4092	J07225101	CARBON FILM RES.	RD16TPJ101	100	1/6W		
T 4001	L0021401	COIL	0.28U				
T 4002	L0021400	COIL	0.36U				
T 4003	L0021399	COIL	0.42U				
T 4004	L0021599	COIL	50.0M				
T 4005	L0021599	COIL	50.0M				
T 4006	L0022078	COIL					
T 4007	L0022079	COIL					
T 4008	L0022080	COIL					
T 4009	L0022081	COIL					
T 4010	L0022082	COIL					
T 4011	L0021295	COIL	10.5M				
T 4012	L0021295	COIL	10.5M				
T 4013	L0021941	COIL	40.96M R12-J771A				
T 4014	L0021511	07 RF TRANS	42.0M				
T 4015	L0021511	07 RF TRANS	42.0M				
T 4016	L0021511	07 RF TRANS	42.0M				
T 4017	L0021560	COIL	36.3M				
T 4018	L0021560	COIL	36.3M				
T 4019	L0021560	COIL	36.3M				
TC4001	K91000085	TRIMMER CAP.	VCT51C122	10pF			W/O TCXO-2
TP4001	Q5000050	TP-K	IPS-1136				

For Service Manuals Contact  
**MAURITRON TECHNICAL SERVICES**  
 8 Cherry Tree Rd, Chinnor  
 Oxon OX9 4QY  
 Tel: 01844-351694 Fax: 01844-352554  
 Email: enquiries@mauritron.co.uk

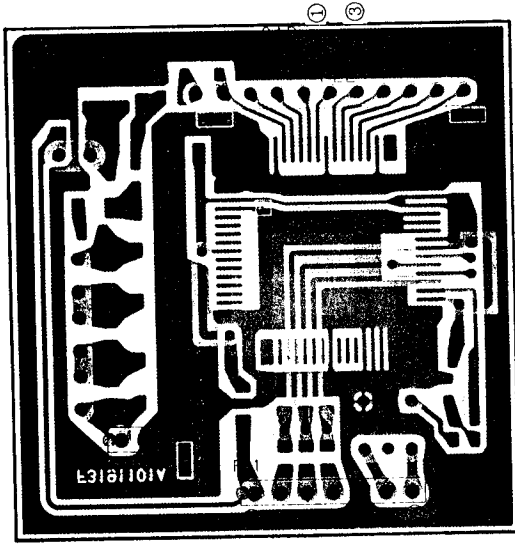
REF.	YAESU P/N	DESCRIPTION	MFGR'S DESIG	VALUE	WV	TOL.	VERS.
TP4002	Q5000050	TP-K	IPS-1136				
TP4003	Q5000050	TP-K	IPS-1136				
TP4004	Q5000050	TP-K	IPS-1136				
X 4001	H0102990	XTAL		10.48576MH			W/O TCXO-2
X 4001	H9500160	XTAL	H-GF1041				W TCXO-2
X 4002	H0102991	XTAL		36.269MHZ			
	R7067500	MODE SWITCH INSULATOR					
	R0136960	FITTING R					
	R0136970	FITTING L					
	R0128050	SHIELD CASE					
	R0128070	SHIELD CASE(2 pcs)					
	R0137140	SHIELD CASE					
	R0137050	SHIELD CASE					
	R0137060	SHIELD COVER					
	R7076390	XTAL SPACER					



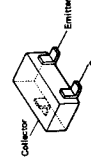
For Service Manuals Contact  
**MAURITRON TECHNICAL SERVICES**  
 8 Cherry Tree Rd, Chinnor  
 Oxon OX9 4QY  
 Tel:- 01844-351694 Fax:- 01844-352554  
 Email:- enquiries@mauritron.co.uk



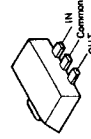
("chip only" side)



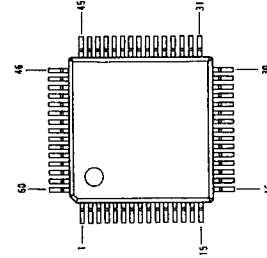
("component" side)



2SC1623(L5)  
(Q4501, 4504, 4601, 4604)



NJM78L05UA (05)  
(Q4503, 4603)



TC23SC030AF-501  
(Q4502, 4602)

For Service Manuals Contact  
**MAURITRON TECHNICAL SERVICES**  
 8 Cherry Tree Rd, Chinnor  
 Oxon OX9 4QY  
 Tel: 01844-351694 Fax: 01844-352554  
 Email: enquiries@mauritron.co.uk

# PLL DDS Unit

REF.	YAESU P/N	DESCRIPTION	MFGR'S DESIG	VALUE	WV	TOL.	VERS.
*** PLL DDS UNIT ***							
	CA0420001	P. C. B. W COMP.					
	F3191101A	P. C. B. W/O COMP.					
C 4501	K22170213	CHIP CAP.	GRM40CH120J50PT	12pF	50V		CH
C 4502	K22170227	CHIP CAP.	GRM40CH470J50PT	47pF	50V		CH
C 4503	K22141809	CHIP CAP.	GRM42-6B104M25PT	0.1uF	25V		B
C 4504	K78120009	TANTALUM CHIP CAP.	TESVA1C105M1-8R	1uF	16V		
C 4505	K22141809	CHIP CAP.	GRM42-6B104M25PT	0.1uF	25V		B
C 4506	K22170817	CHIP CAP.	GRM40B103M50PT	0.01uF	50V		B
C 4507	K22170251	CHIP CAP.	GRM40CH471J50PT	470pF	50V		CH
C 4508	K22170245	CHIP CAP.	GRM40CH271J50PT	270pF	50V		CH
C 4509	K22170805	CHIP CAP.	GRM40B102M50PT	0.001uF	50V		B
C 4510	K22170239	CHIP CAP.	GRM40CH151J50PT	150pF	50V		CH
C 4511	K22170805	CHIP CAP.	GRM40B102M50PT	0.001uF	50V		B
C 4512	K22170229	CHIP CAP.	GRM40CH560J50PT	56pF	50V		CH
C 4513	K22170803	CHIP CAP.	GRM40B681M50PT	680pF	50V		B
C 4514	K22141809	CHIP CAP.	GRM42-6B104M25PT	0.1uF	25V		B
C 4515	K22170227	CHIP CAP.	GRM40CH470J50PT	47pF	50V		CH
C 4516	K22141809	CHIP CAP.	GRM42-6B104M25PT	0.1uF	25V		B
C 4517	K22141809	CHIP CAP.	GRM42-6B104M25PT	0.1uF	25V		B
C 4518	K78120009	TANTALUM CHIP CAP.	TESVA1C105M1-8R	1uF	16V		
C 4519	K78120009	TANTALUM CHIP CAP.	TESVA1C105M1-8R	1uF	16V		
C 4520	K22141809	CHIP CAP.	GRM42-6B104M25PT	0.1uF	25V		B
C 4521	K22170235	CHIP CAP.	GRM40CH101J50PT	100pF	50V		CH
C 4522	K22170235	CHIP CAP.	GRM40CH101J50PT	100pF	50V		CH
C 4523	K22170235	CHIP CAP.	GRM40CH101J50PT	100pF	50V		CH
C 4524	K22170817	CHIP CAP.	GRM40B103M50PT	0.01uF	50V		B
L 4501	L1190226	M. RFC	LAL03NA471K	470uH			
L 4502	L1190221	M. RFC	LAL03NA181K	180uH			
L 4503	L1190223	M. RFC	LAL03NA271K	270uH			
L 4504	L1190223	M. RFC	LAL03NA271K	270uH			
P 4501	P0090818	CONNECTOR	SB07P-HVQ-34				
P 4502	P0090817	CONNECTOR	SB02P-HVQ-34				
P 4503	P0090817	CONNECTOR	SB02P-HVQ-34				
Q 4501	G3316237F	TRANSISTOR	2SC1623-T2BL6				
Q 4502	G1090970	IC	TC23SC030AF-501				
Q 4503	G1090887	IC	NJM78L05UA				
Q 4504	G3316237F	TRANSISTOR	2SC1623-T2BL6				
R 4501	J24205154	CHIP RES.	RMC1/10T 154J	150K			1/10W
R 4502	J24205101	CHIP RES.	RMC1/10T 101J	100			1/10W
R 4503	J24205561	CHIP RES.	RMC1/10T 561J	560			1/10W
R 4504	J24205104	CHIP RES.	RMC1/10T 104J	100K			1/10W
R 4505	J24205102	CHIP RES.	RMC1/10T 102J	1K			1/10W
R 4506	J24205102	CHIP RES.	RMC1/10T 102J	1K			1/10W
R 4507	J24205102	CHIP RES.	RMC1/10T 102J	1K			1/10W
R 4508	J24205102	CHIP RES.	RMC1/10T 102J	1K			1/10W
R 4509	J24205104	CHIP RES.	RMC1/10T 104J	100K			1/10W

# PLL DDS Unit

REF.	YAESU P/N	DESCRIPTION	MFGR'S DESIG	VALUE	WV	TOL.	VERS.
RB4501	J40900171	BLOCK RES.	EXB-LD10103GC	EXB-LD1010			
T 4501	L0021484	COIL					
	R0137010	SHIELD PLATE					

For Service Manuals Contact  
MAURITRON TECHNICAL SERVICES  
8 Cherry Tree Rd, Chinnor  
Oxon OX9 4QY  
Tel: 01844-351694 Fax: 01844-352554  
Email: enquiries@mauritron.co.uk

# Carrier DDS Unit

REF.	YAESU P/N	DESCRIPTION	MFGR'S DESIG	VALUE	WV	TOL.	VERS.
*** CAR DDS UNIT ***							
	CA0425001	P.C.B. W COMP.					
	F3191101A	P.C.B. W/O COMP.					
C 4601	K22170219	CHIP CAP.	GRM40CH220J50PT	22pF	50V		CH
C 4602	K22170211	CHIP CAP.	GRM40CH100D50PT	10pF	50V		CH
C 4603	K22141809	CHIP CAP.	GRM42-6B104M25PT	0.1uF	25V		B
C 4604	K78120009	TANTALUM CHIP CAP.	TESVA1C105M1-8R	1uF	16V		
C 4605	K22141809	CHIP CAP.	GRM42-6B104M25PT	0.1uF	25V		B
C 4606	K22170817	CHIP CAP.	GRM40B103M50PT	0.01uF	50V		B
C 4607	K22170813	CHIP CAP.	GRM40B472M50PT	0.0047uF	50V		B
C 4608	K22170812	CHIP CAP.	GRM40B392M50PT	0.0039	50V		B
C 4609	K22170817	CHIP CAP.	GRM40B103M50PT	0.01uF	50V		B
C 4610	K22170809	CHIP CAP.	GRM40B222M50PT	0.0022uF	50V		B
C 4611	K22170817	CHIP CAP.	GRM40B103M50PT	0.01uF	50V		B
C 4612	K22170803	CHIP CAP.	GRM40B681M50PT	680pF	50V		B
C 4613	K22170815	CHIP CAP.	GRM40B682M50PT	0.0068uF	50V		B
C 4614	K22141809	CHIP CAP.	GRM42-6B104M25PT	0.1uF	25V		B
C 4615	K22170227	CHIP CAP.	GRM40CH470J50PT	47pF	50V		CH
C 4616	K22141809	CHIP CAP.	GRM42-6B104M25PT	0.1uF	25V		B
C 4617	K22141809	CHIP CAP.	GRM42-6B104M25PT	0.1uF	25V		B
C 4618	K78120009	TANTALUM CHIP CAP.	TESVA1C105M1-8R	1uF	16V		
C 4619	K78120009	TANTALUM CHIP CAP.	TESVA1C105M1-8R	1uF	16V		
C 4620	K22141809	CHIP CAP.	GRM42-6B104M25PT	0.1uF	25V		B
C 4621	K22170235	CHIP CAP.	GRM40CH101J50PT	100pF	50V		CH
C 4622	K22170235	CHIP CAP.	GRM40CH101J50PT	100pF	50V		CH
C 4623	K22170235	CHIP CAP.	GRM40CH101J50PT	100pF	50V		CH
C 4624	K22170817	CHIP CAP.	GRM40B103M50PT	0.01uF	50V		B
L 4601	L1190226	M. RFC	LAL03NA471K	470uH			
L 4602	L1190207	M. RFC	LAL03NA120K	12uH			
L 4603	L1190209	M. RFC	LAL03NA180K	18uH			
L 4604	L1190210	M. RFC	LAL03NA220K	22uH			
P 4601	P0090818	CONNECTOR	SBO7P-HVQ-34				
P 4602	P0090817	CONNECTOR	SBO2P-HVQ-34				
P 4603	P0090817	CONNECTOR	SBO2P-HVQ-34				
Q 4601	G3316237F	TRANSISTOR	2SC1623-T2BL6				
Q 4602	G1090970	IC	TC23SC030AF-501				
Q 4603	G1090887	IC	NJM78L05UA				
Q 4604	G3316237F	TRANSISTOR	2SC1623-T2BL6				
R 4601	J24205154	CHIP RES.	RMC1/10T 154J	150K		1/10W	
R 4602	J24205101	CHIP RES.	RMC1/10T 101J	100		1/10W	
R 4603	J24205390	CHIP RES.	RMC1/10T 390J	39		1/10W	
R 4604	J24205104	CHIP RES.	RMC1/10T 104J	100K		1/10W	
R 4605	J24205102	CHIP RES.	RMC1/10T 102J	1K		1/10W	
R 4606	J24205102	CHIP RES.	RMC1/10T 102J	1K		1/10W	
R 4607	J24205102	CHIP RES.	RMC1/10T 102J	1K		1/10W	
R 4608	J24205102	CHIP RES.	RMC1/10T 102J	1K		1/10W	
R 4609	J24205104	CHIP RES.	RMC1/10T 104J	100K		1/10W	

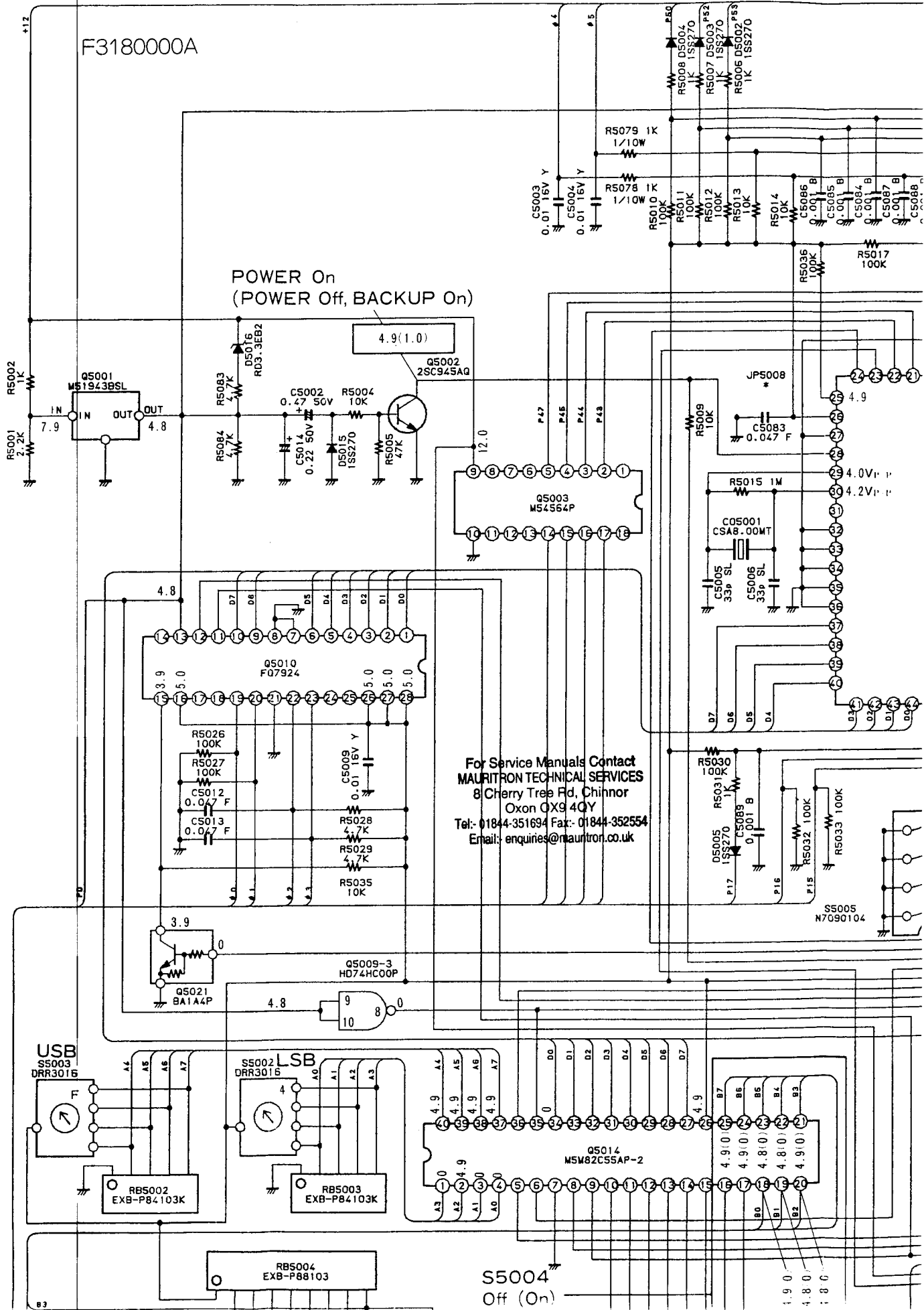


# Carrier DDS Unit

REF.	YAESU P/N	DESCRIPTION	MFGR'S DESIG	VALUE	WV	TOL.	VERS.
RB4601	J40900171	BLOCK RES.	EXB-LD10103GC	EXB-LD1010			
T 4601	L0021484	COIL					
	R0137010	SHIELD PLATE					

For Service Manuals Contact  
MAURITRON TECHNICAL SERVICES  
8 Cherry Tree Rd, Chinnor  
Oxon OX9 4QY  
Tel:- 01844-351694 Fax:- 01844-352554  
Email:- enquiries@mauritron.co.uk

F3180000A



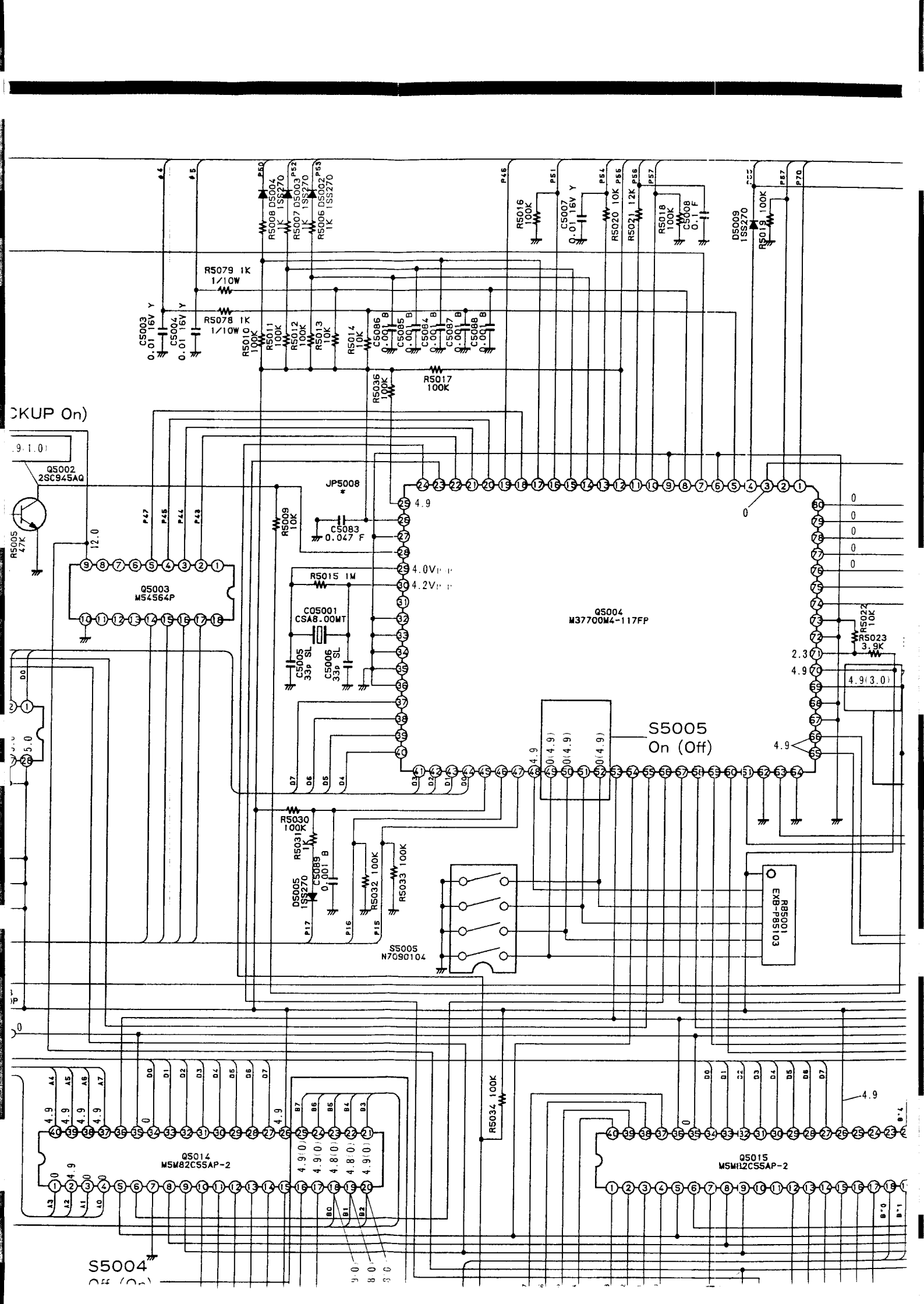
POWER On  
(POWER Off, BACKUP On)

For Service Manuals Contact  
**MAURITRON TECHNICAL SERVICES**  
 8 Cherry Tree Rd, Chinnor  
 Oxon OX9 4QY  
 Tel: 01844-351694 Fax: 01844-352554  
 Email: enquiries@maurtron.co.uk

USB  
S5003  
DRR3016

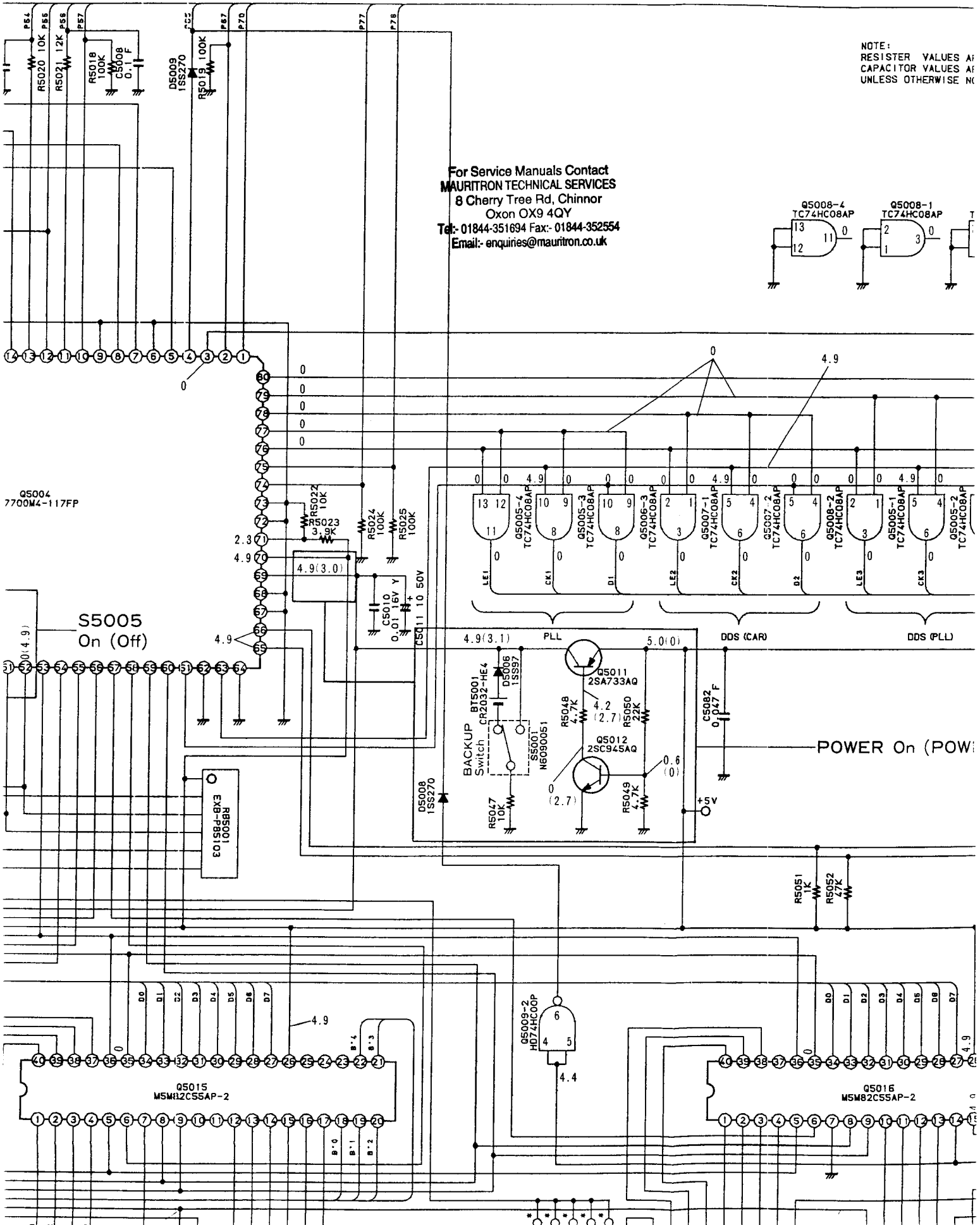
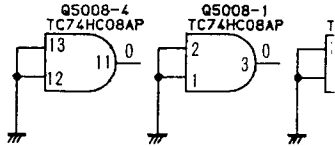
LSB  
S5002  
DRR3016

S5004  
Off (On)



NOTE:  
RESISTOR VALUES ARE IN OHMS UNLESS OTHERWISE NOTED  
CAPACITOR VALUES ARE IN FARADS UNLESS OTHERWISE NOTED

For Service Manuals Contact  
**MAURITRON TECHNICAL SERVICES**  
8 Cherry Tree Rd, Chinnor  
Oxon OX9 4QY  
Tel: 01844-351694 Fax: 01844-352554  
Email: enquiries@mauritron.co.uk



POWER On (POWER)

Q5004  
7700M4-117FP

S5005  
On (Off)

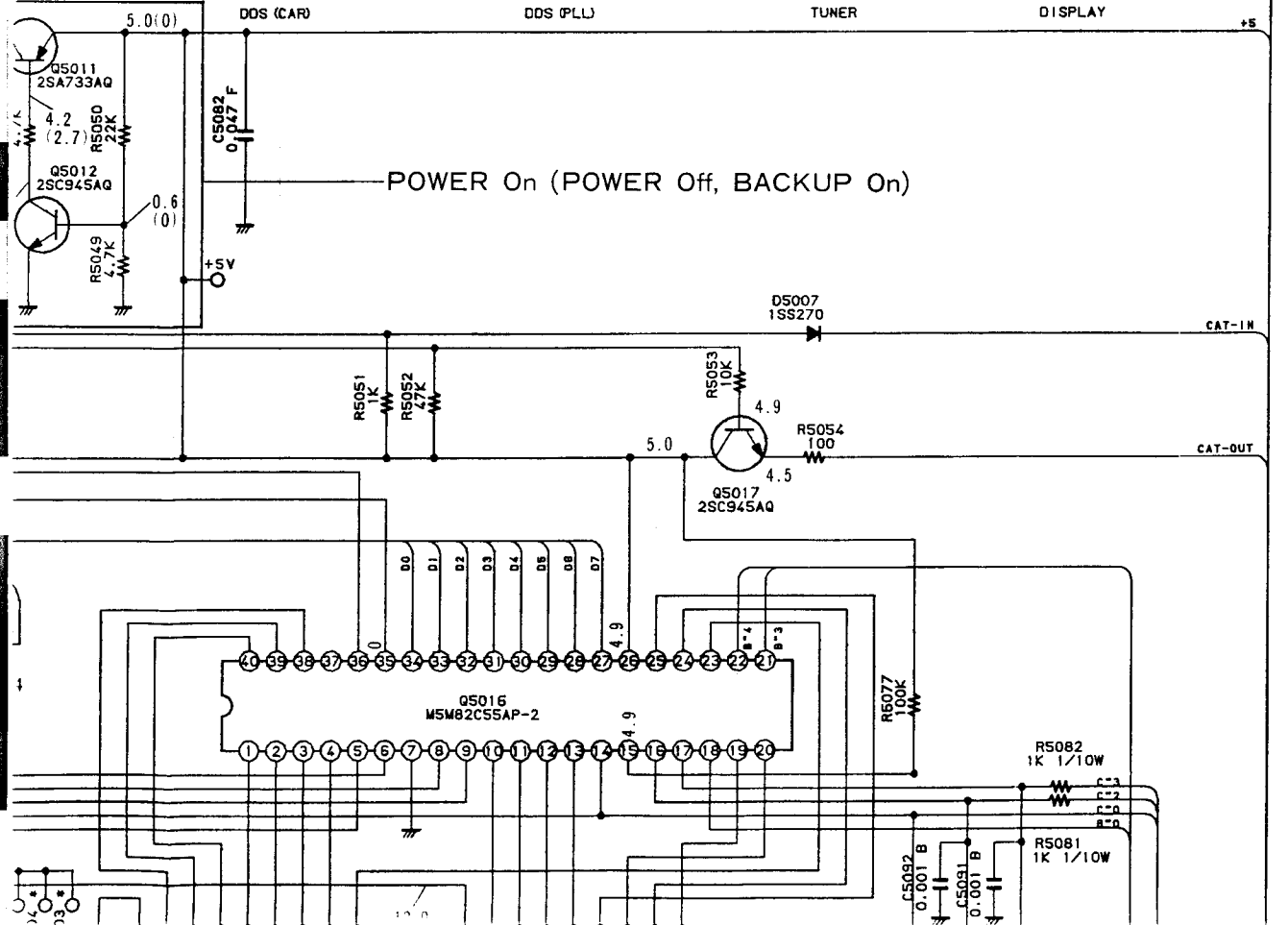
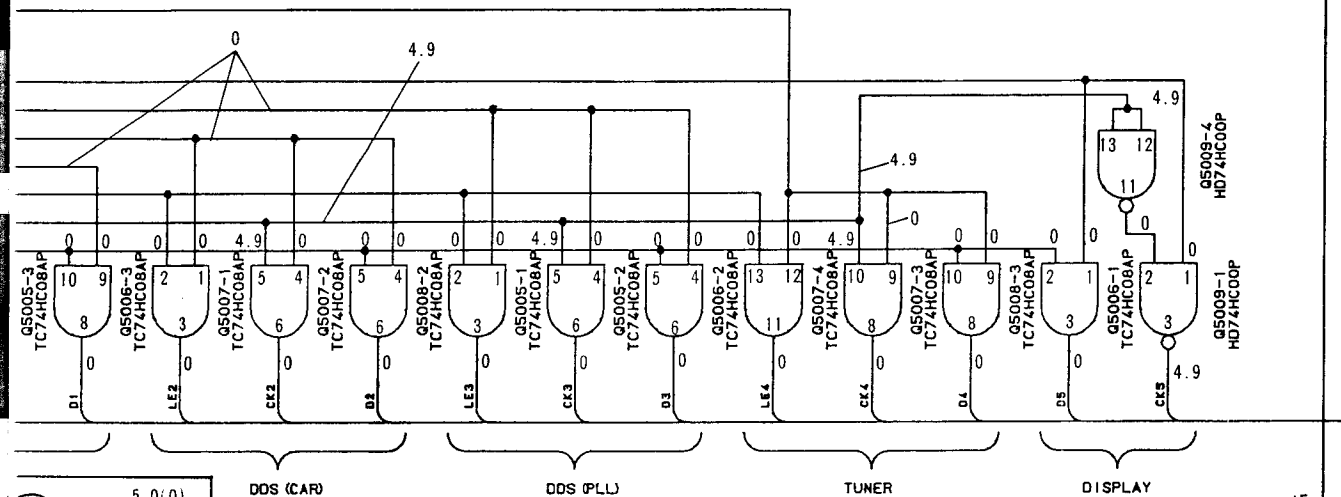
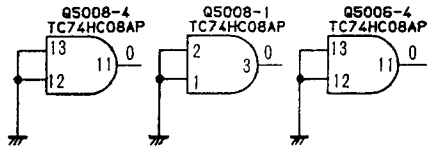
Q5015  
MSM12C55AP-2

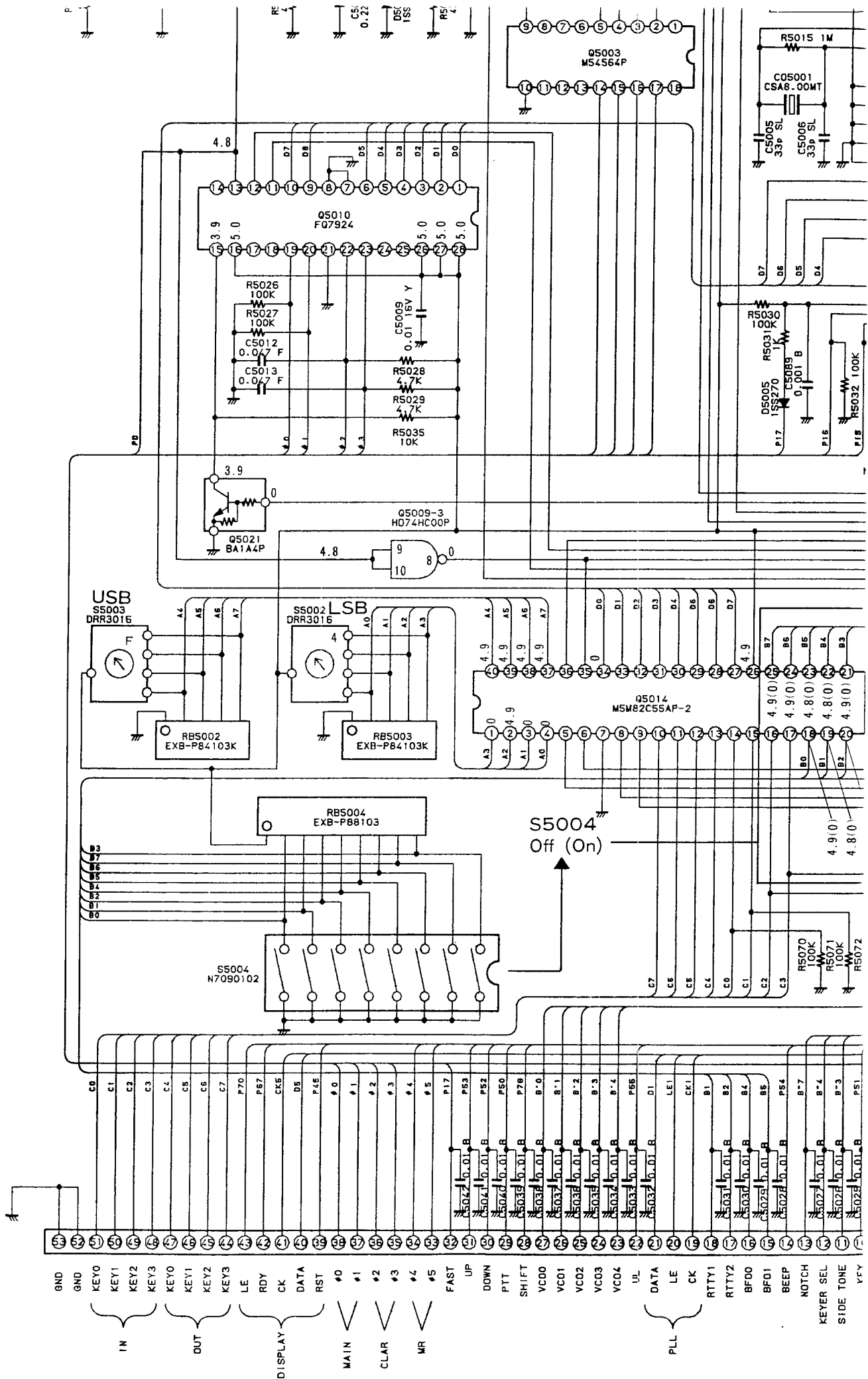
Q5016  
MSM12C55AP-2

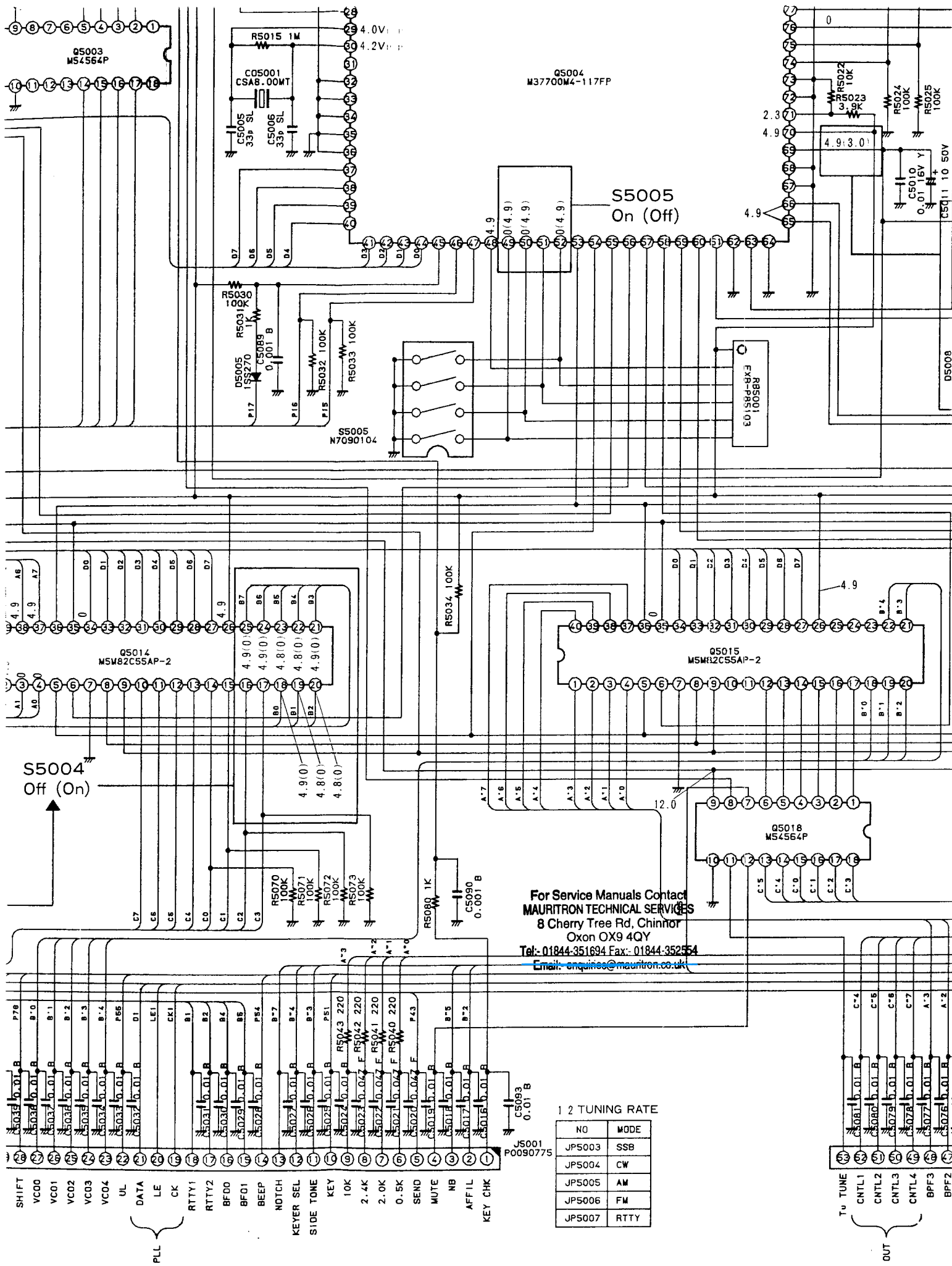
# Control (CNTL) Unit

NOTE:  
RESISTOR VALUES ARE IN  $\Omega$ , 1/10W ;  
CAPACITOR VALUES ARE IN  $\mu$ F, 50V ;  
UNLESS OTHERWISE NOTED.

Measuring Condition  
CAT Jack Open







For Service Manuals Contact  
**MAURITRON TECHNICAL SERVICES**  
 8 Cherry Tree Rd, Chinnor  
 Oxon OX9 4QY  
 Tel: 01844-351694 Fax: 01844-352554  
 Email: enquiries@mauritron.co.uk

12 TUNING RATE

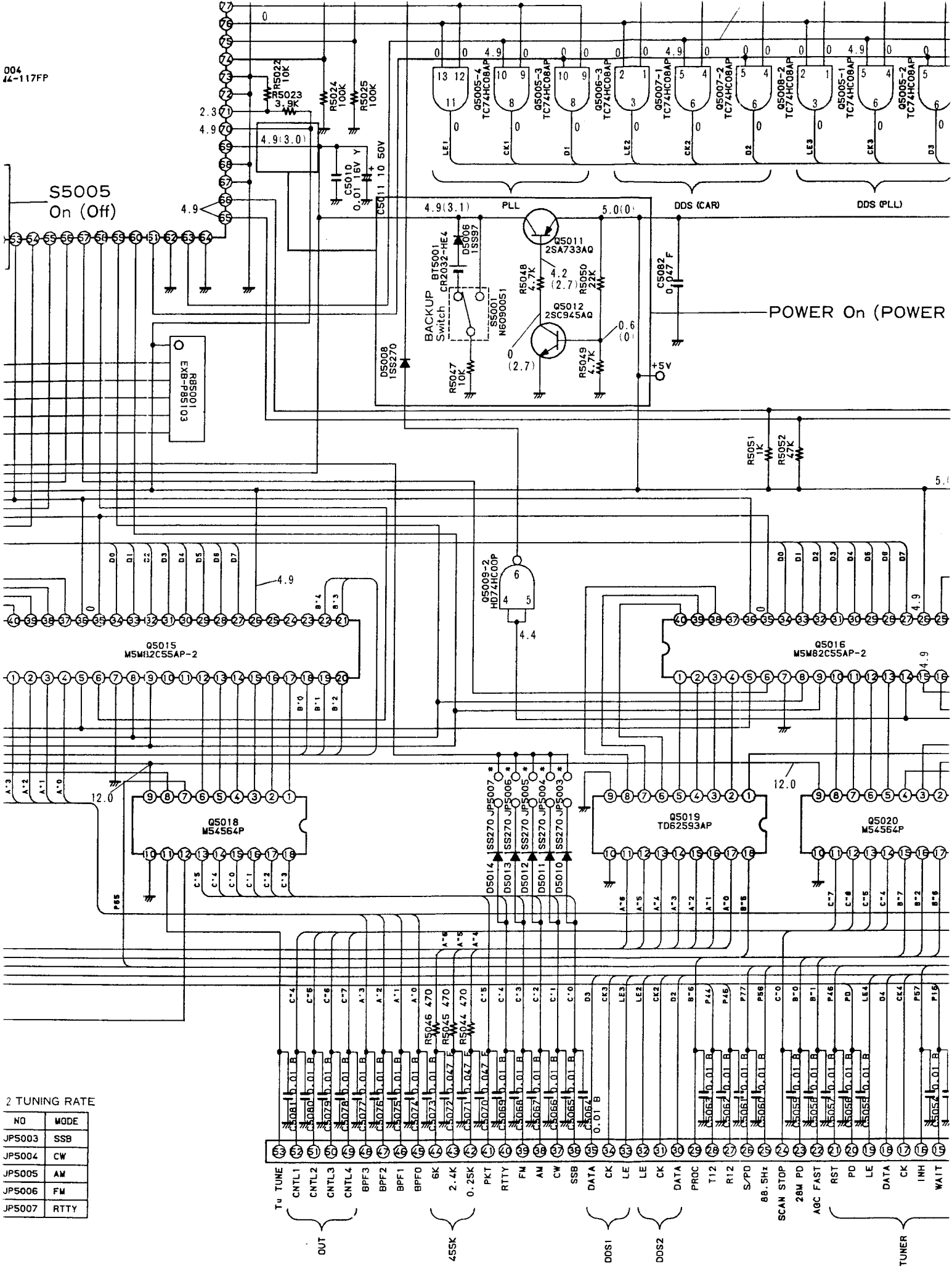
NO	MODE
JP5003	SSB
JP5004	CW
JP5005	AM
JP5006	FM
JP5007	RTTY

SHIFT VC00 VC01 VC02 VC03 VC04 UL DATA LE CK CKI RTTY1 RTTY2 BF00 BF01 BEEP NOTCH KEYS SEL SIDE TONE KEY 10K 2.4K 2.0K 0.5K SEND MUTE NB AFFIL KEY CHK

PLL

TU TUNE CNTL1 CNTL2 CNTL3 CNTL4 BPF3 BPF2

OUT



S5005  
On (Off)

RBS001  
EXB-PBS103

PLL

DDS (CAR)

DDS (PLL)

POWER On (POWER

Q5015  
MSM82C55AP-2

Q5016  
MSM82C55AP-2

Q5018  
M54564P

Q5019  
TDS2593AP

Q5020  
M54564P

Tu TUNE  
CNTL1  
CNTL2  
CNTL3  
CNTL4  
BPF3  
BPF2  
BPF1  
BPF0  
6K  
2.4K  
0.25K  
PKT  
RTTY  
FM  
AM  
CW  
SSB  
DATA  
CK  
LE  
LE  
CK  
DATA  
PROC  
T12  
R12  
S/PD  
88.5Hz  
SCAN STOP  
28M PD  
AGC FAST  
RST  
PD  
LE  
DATA  
CK  
INH  
WAIT

OUT

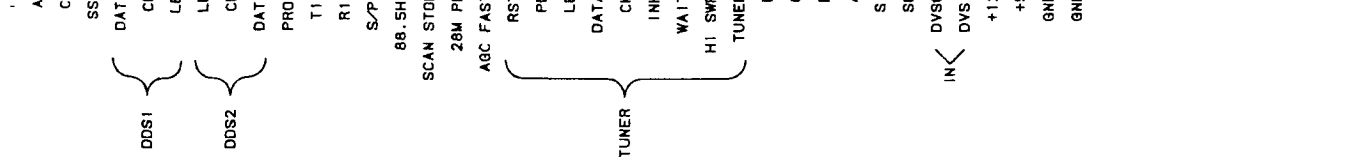
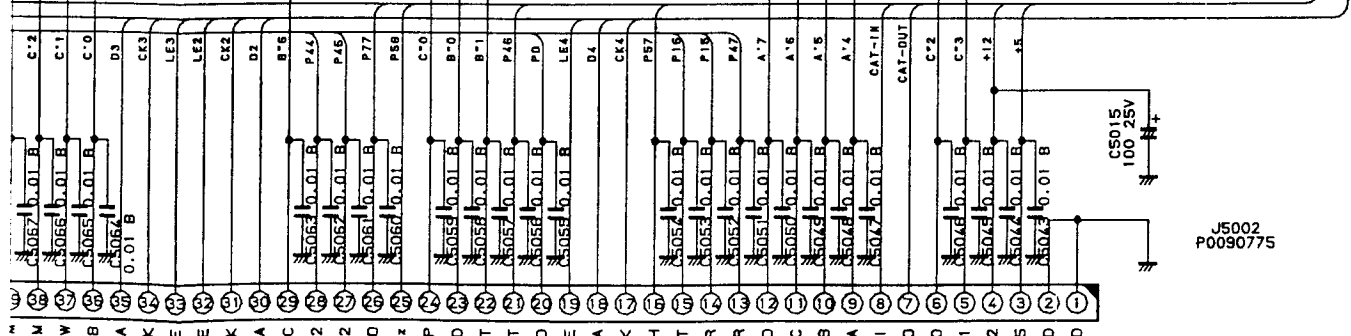
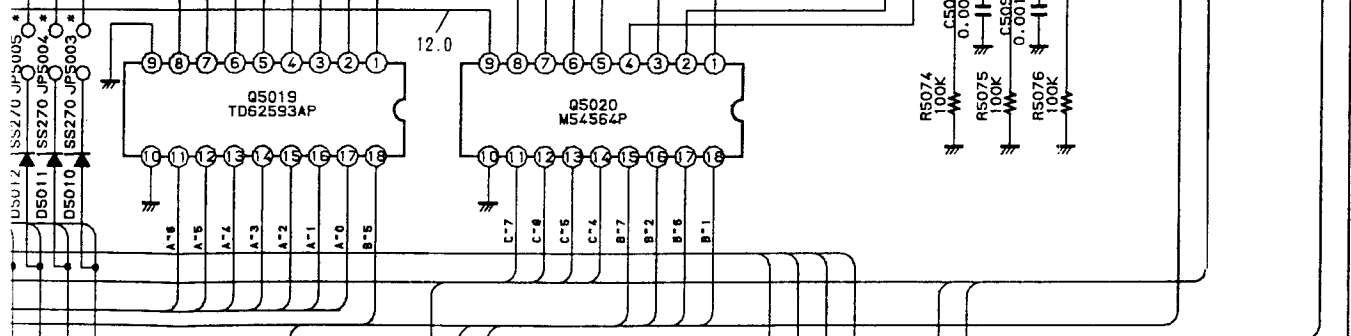
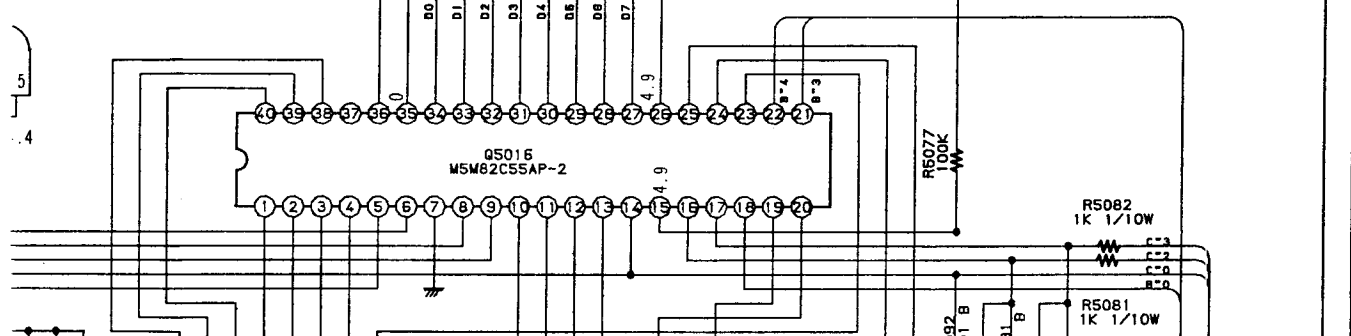
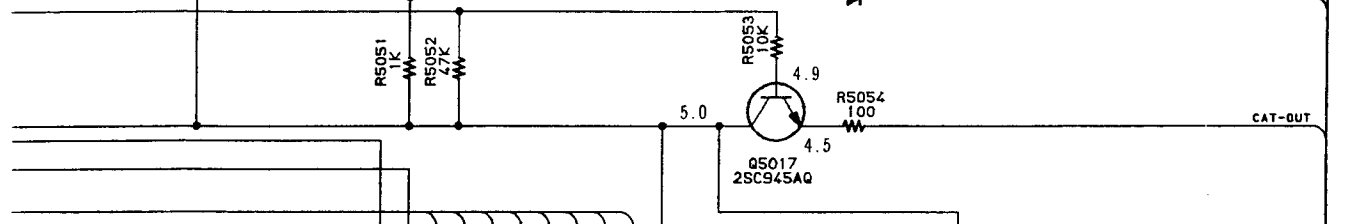
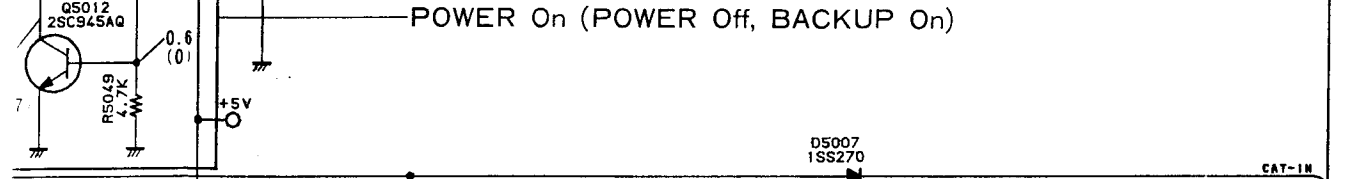
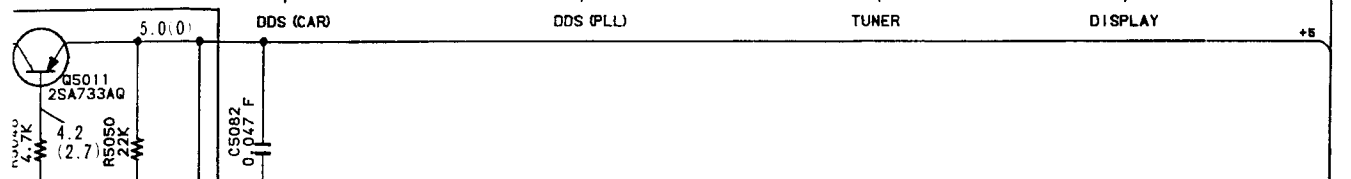
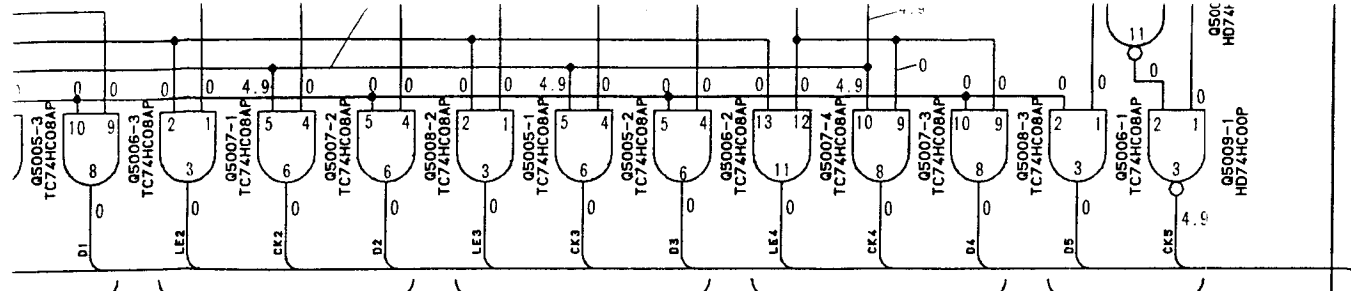
455K

DDS1

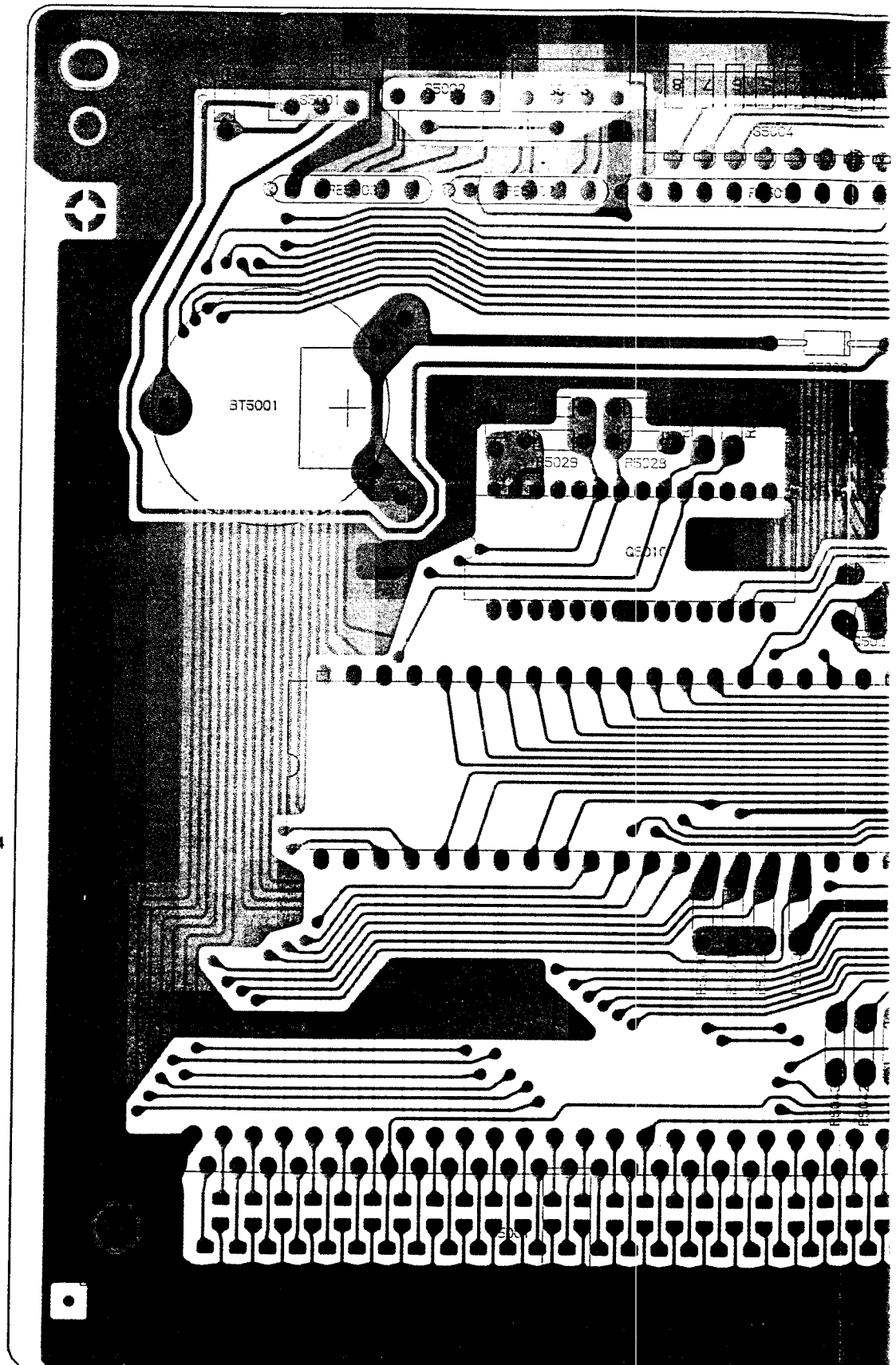
DDS2

TUNER



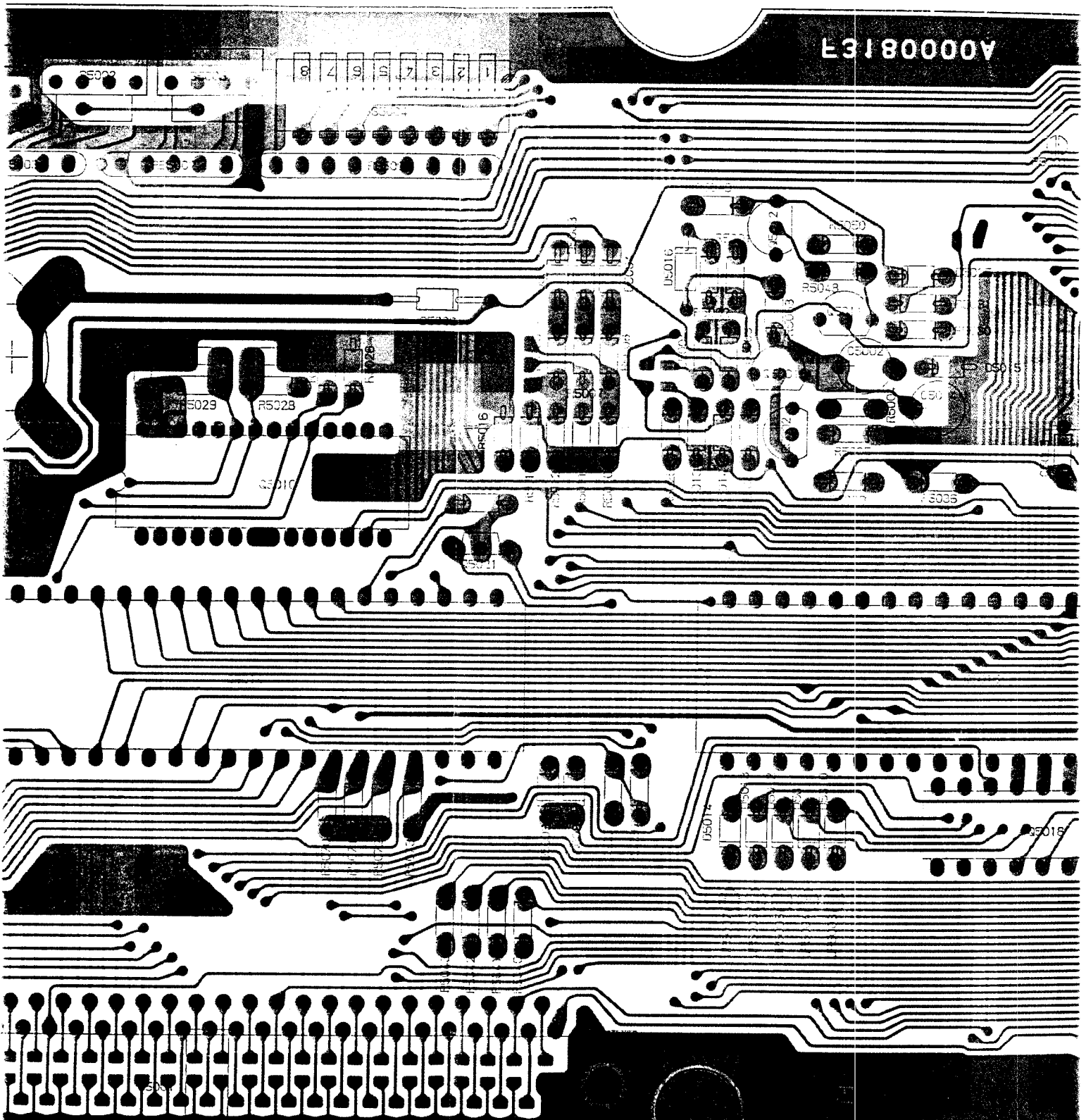


CONTROL (CNTL) UNIT



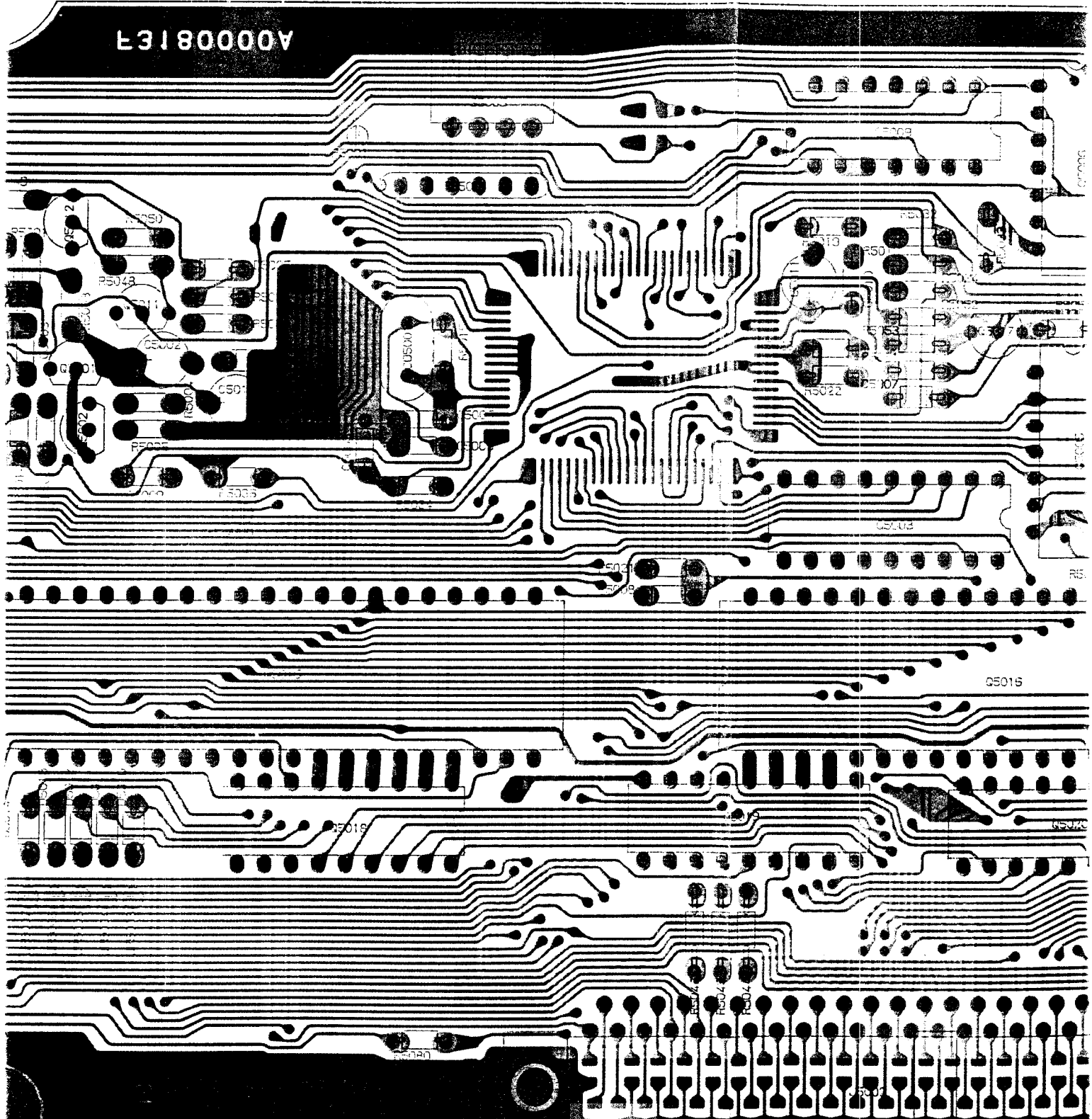
For Service Manuals Contact  
**MAURITRON TECHNICAL SERVICES**  
8 Cherry Tree Rd, Chinnor  
Oxon OX9 4QY  
Tel:- 01844-351694 Fax:- 01844-352554  
Email:- [enquiries@mauritron.co.uk](mailto:enquiries@mauritron.co.uk)

E3180000V

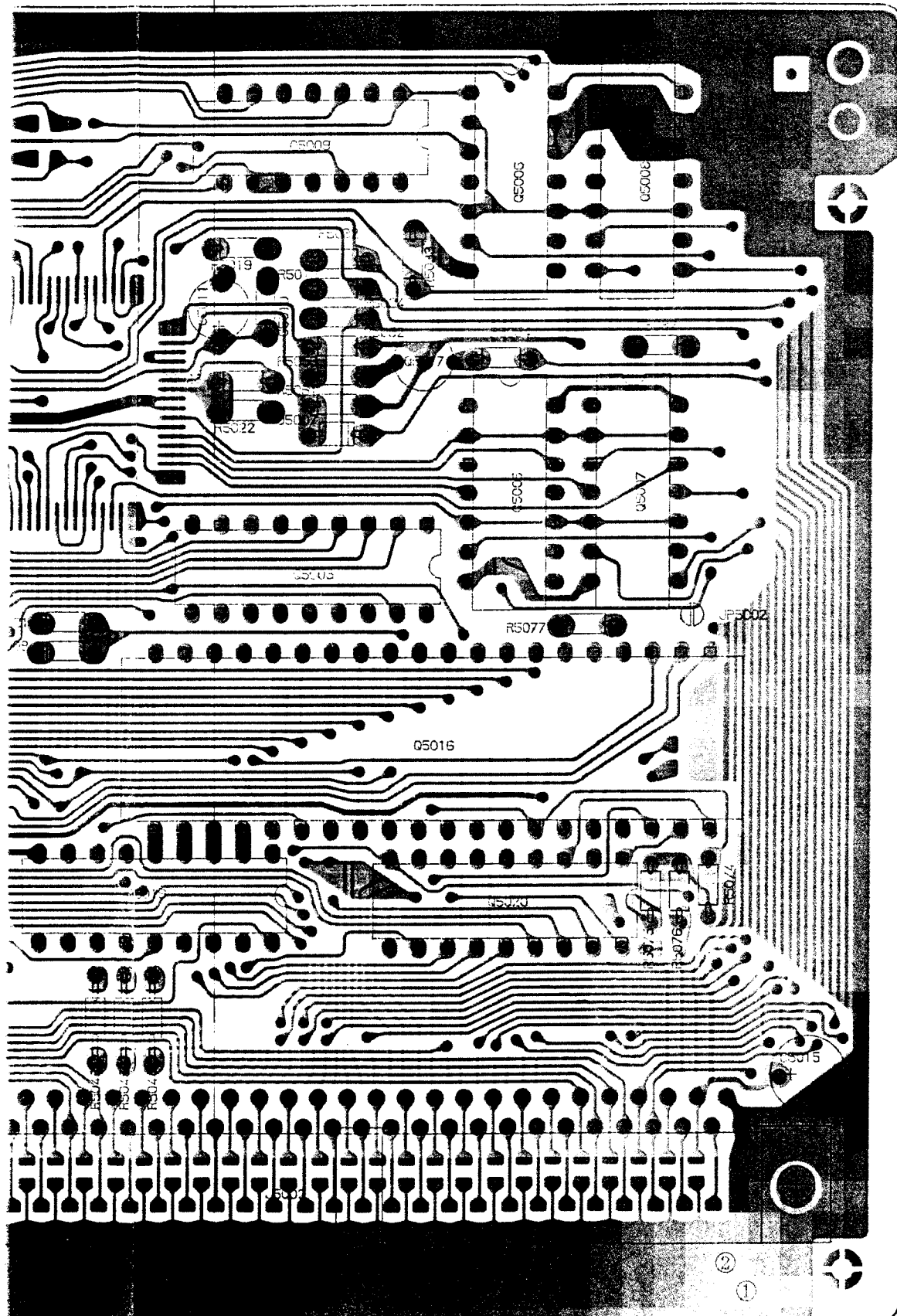


20GDEB 21D

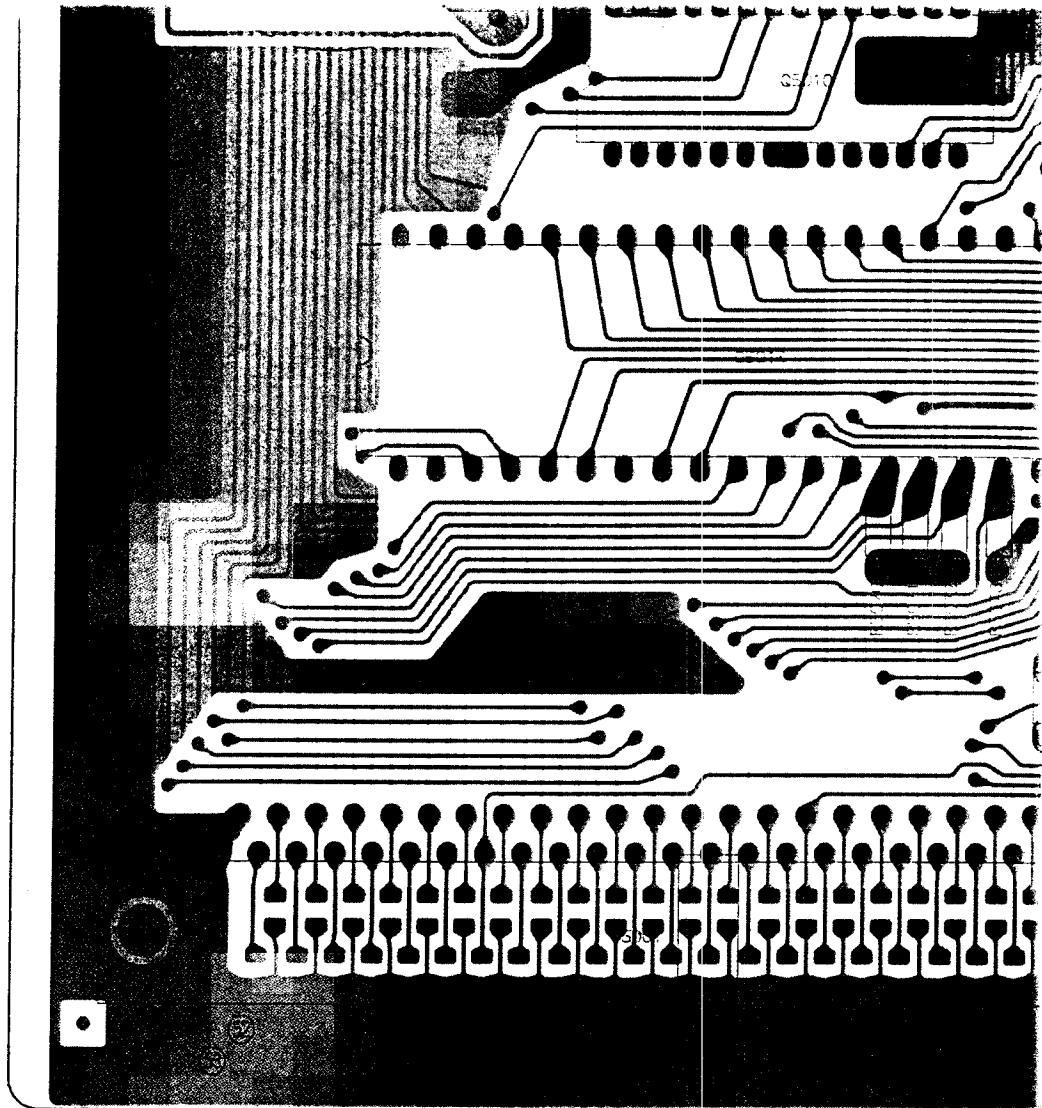
A00008137



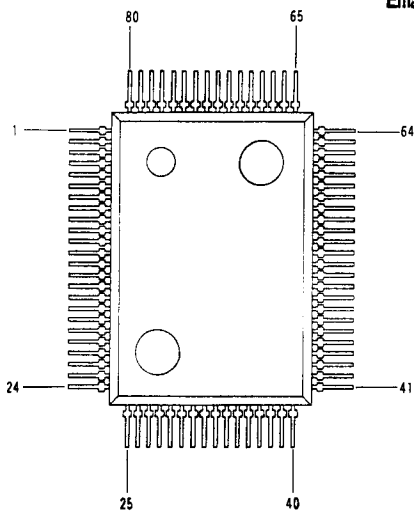
SOLDER SIDE



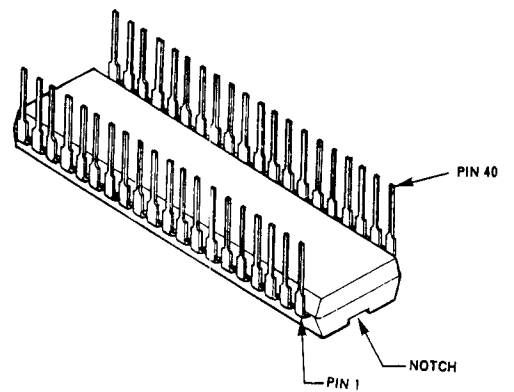
(“component” side)



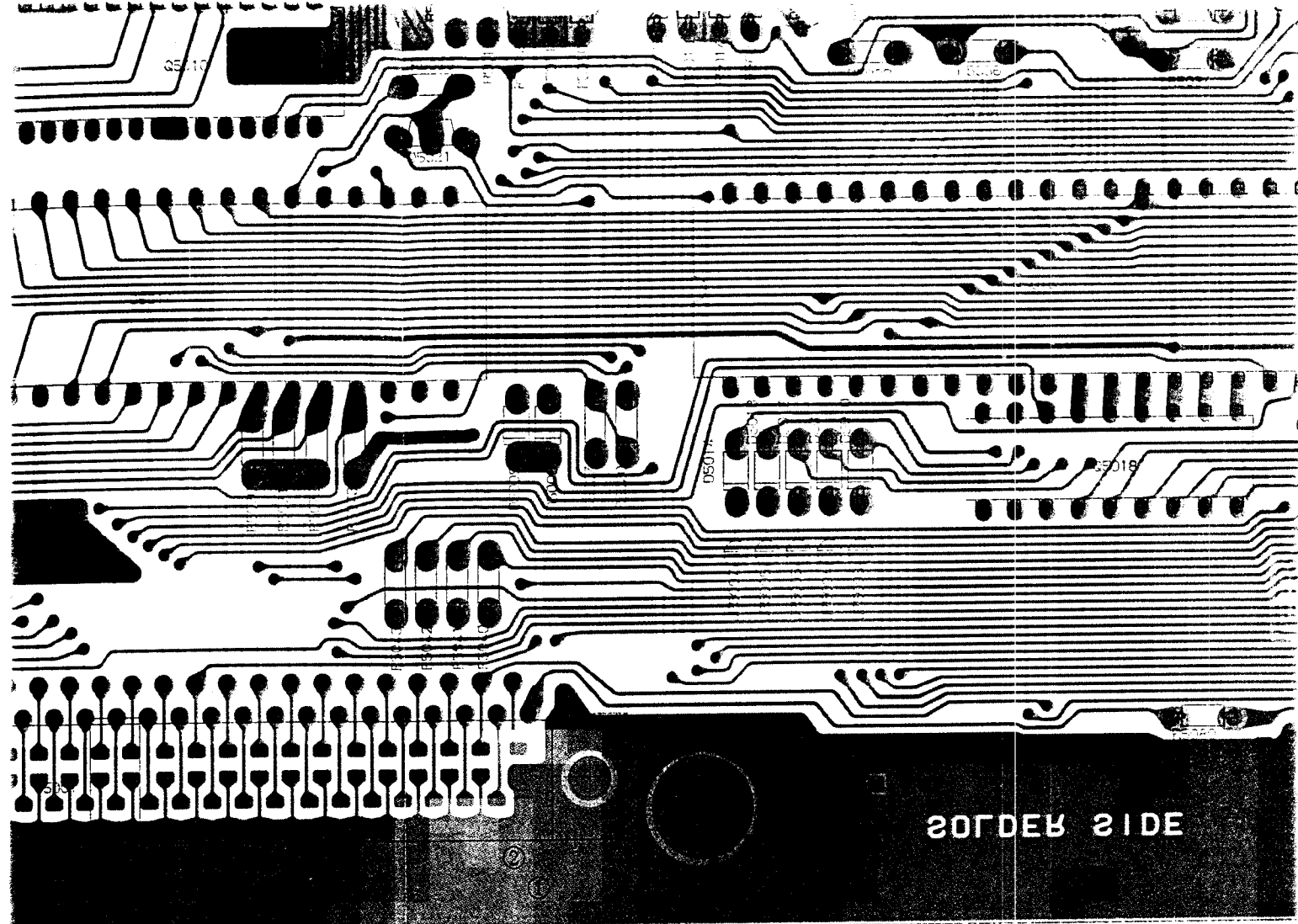
For Service Manuals Contact  
**MAURITRON TECHNICAL SERVICES**  
 8 Cherry Tree Rd, Chinnor  
 Oxon OX9 4QY  
 Tel:- 01844-351694 Fax:- 01844-352554  
 Email:- enquiries@mauritron.co.uk



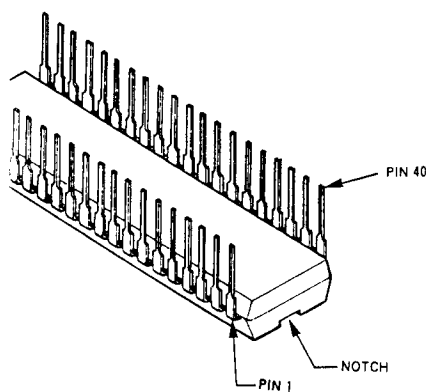
**M37700M4**  
**(Q5004)**



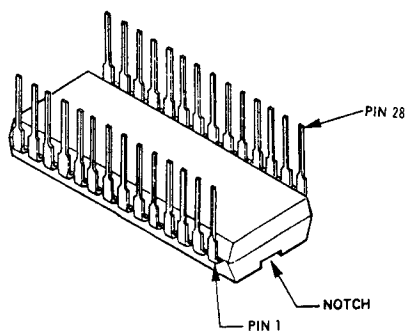
**M5M82C55AP**  
**(Q5014, 5015, 5016)**



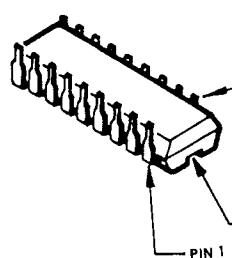
SOLDER SIDE



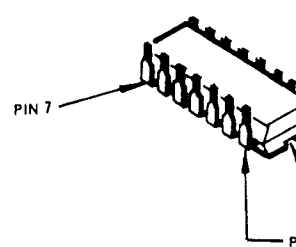
M5M82C55AP  
(Q5014, 5015, 5016)



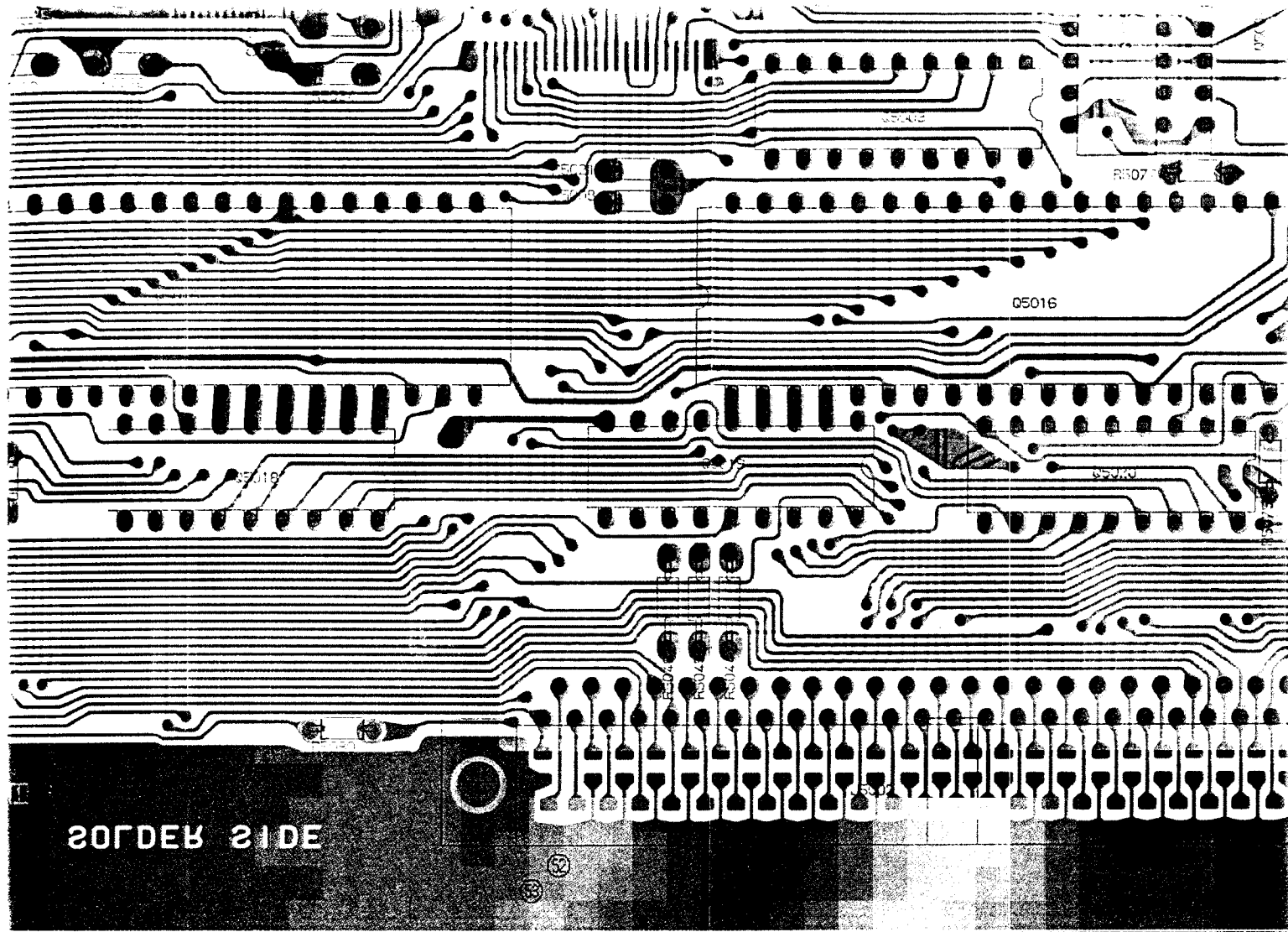
FQ7924  
(Q5010)



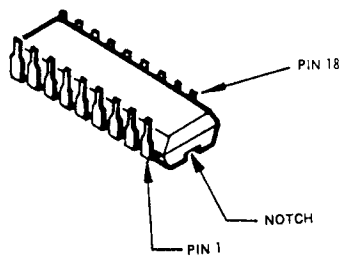
M54564P  
(Q5003, 5018, 5020  
TD62593AP  
(Q5019)



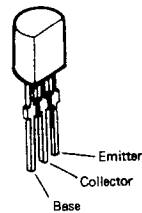
HD74HC00P  
(Q5009)  
TC74HC08AP  
(Q5005, 5006, 5007,



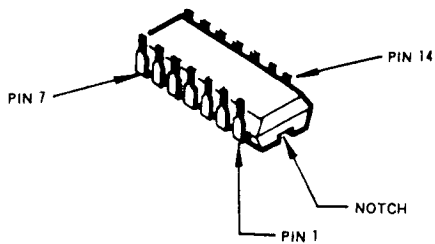
SOLDER SIDE



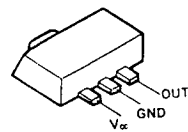
M54564P  
(Q5003, 5018, 5020)  
TD62593AP  
(Q5019)



2SA733AQ  
(Q5011)  
2SC945AQ  
(Q5002, 5012, 5017)



HD74HC00P  
(Q5009)  
TC74HC08AP  
(Q5005, 5006, 5007, 5008)

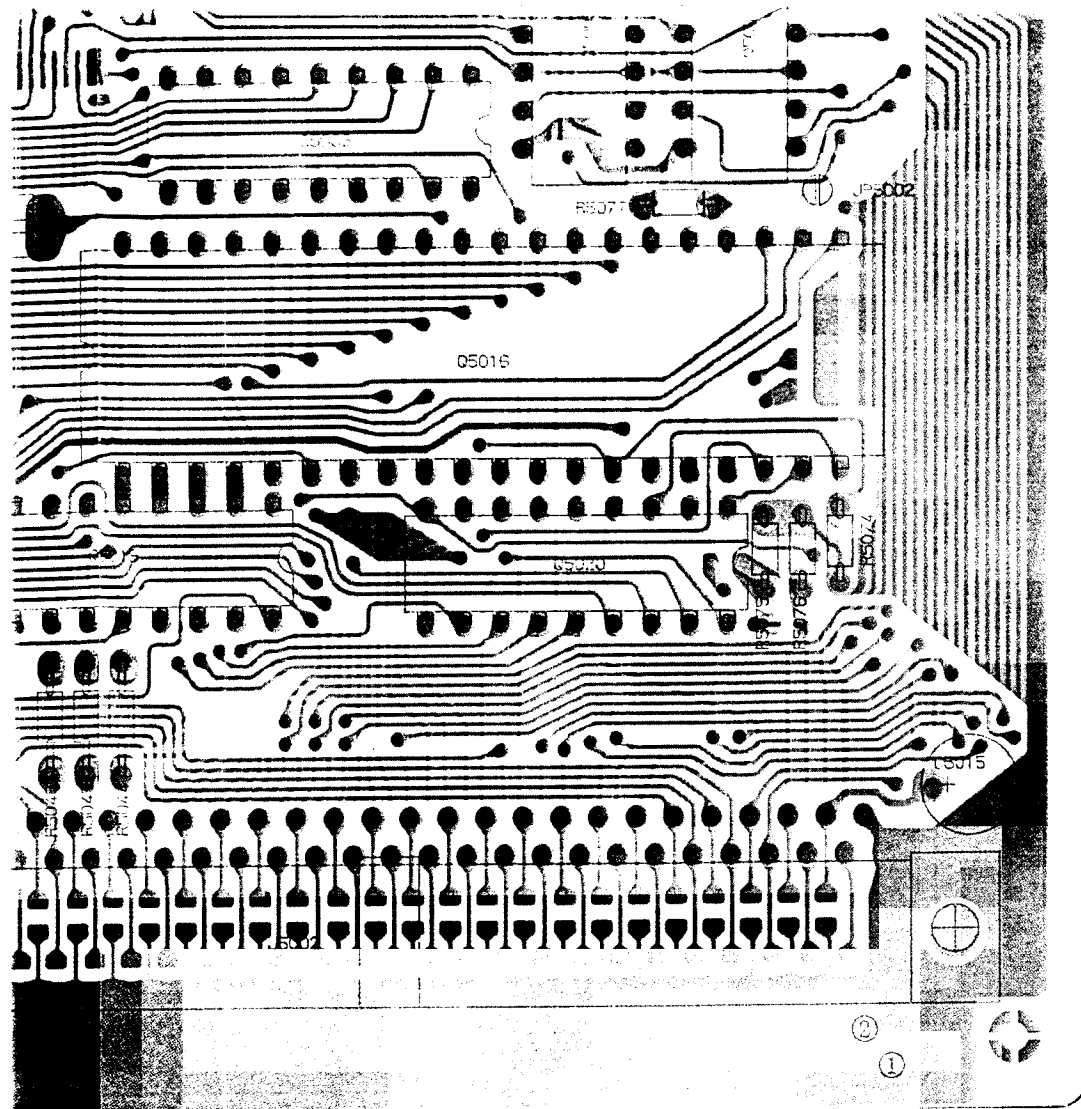


M51943BSL (A4)  
(Q5001)

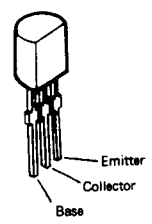
Base

BA1A4P

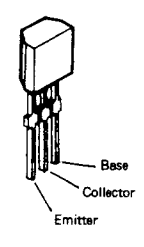




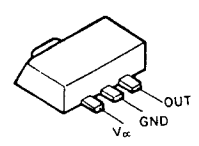
("component" side)



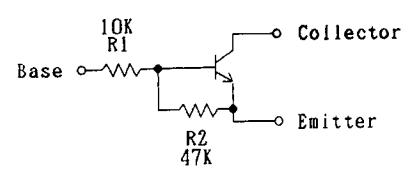
2SA733AQ  
(Q5011)  
2SC945AQ  
(Q5002, 5012, 5017)



BA1A4P  
(Q5021)



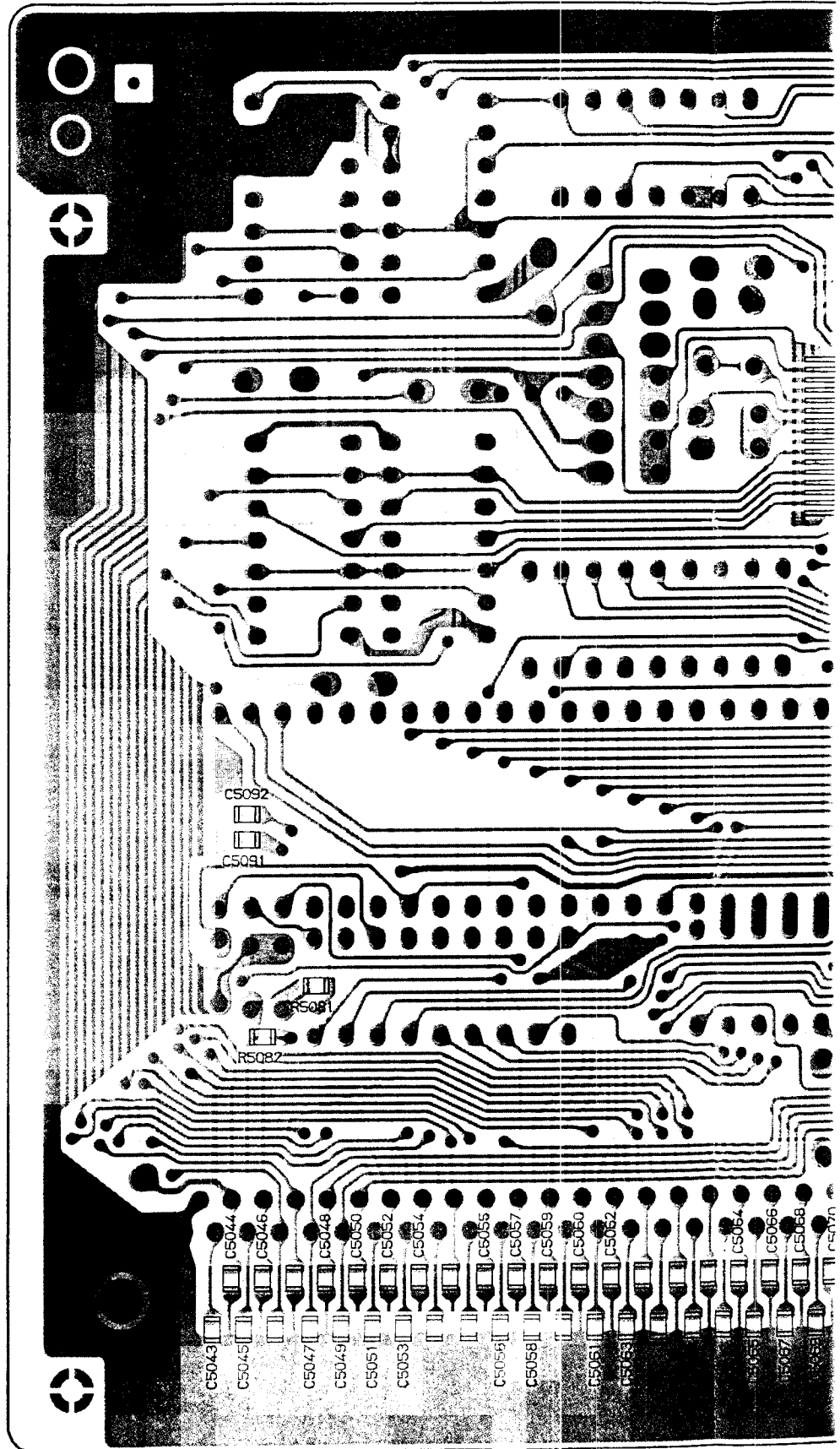
M51943BSL (A4)  
(Q5001)



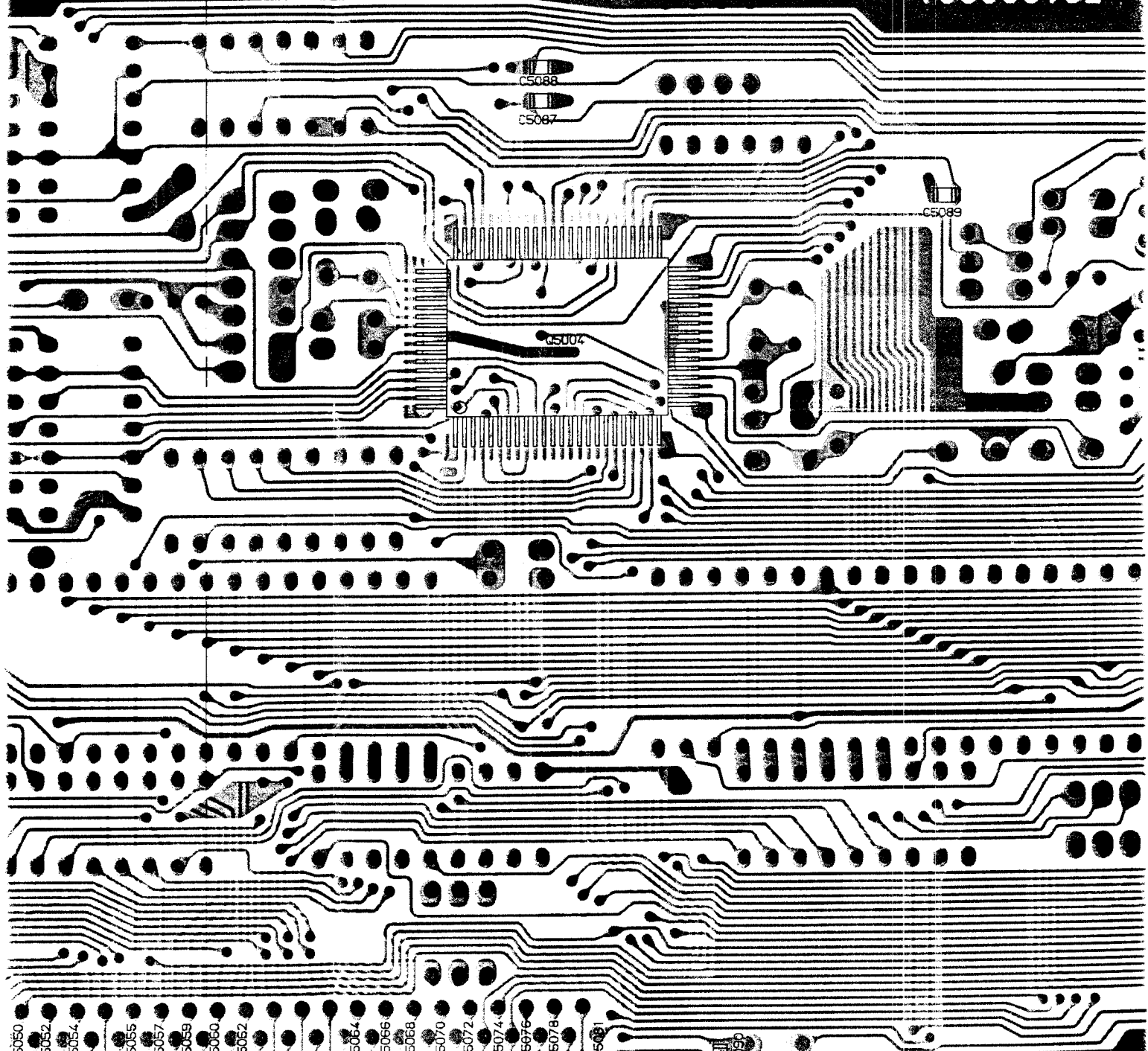
BA1A4P CIRCUIT DIAGRAM

# Control (CNTL) Unit

For Service Manuals Contact  
**MAURITRON TECHNICAL SERVICES**  
8 Cherry Tree Rd, Chinnor  
Oxon OX9 4QY  
Tel: 01844-351694 Fax: 01844-352554  
Email: enquiries@maurtron.co.uk



F318000A



- C5050
- C5051
- C5052
- C5053
- C5054
- C5055
- C5056
- C5057
- C5058
- C5059
- C5060
- C5061
- C5062
- C5063
- C5064
- C5065
- C5066
- C5067
- C5068
- C5069
- C5070
- C5071
- C5072
- C5073
- C5074
- C5075
- C5076
- C5077
- C5078
- C5079
- C5080
- C5081

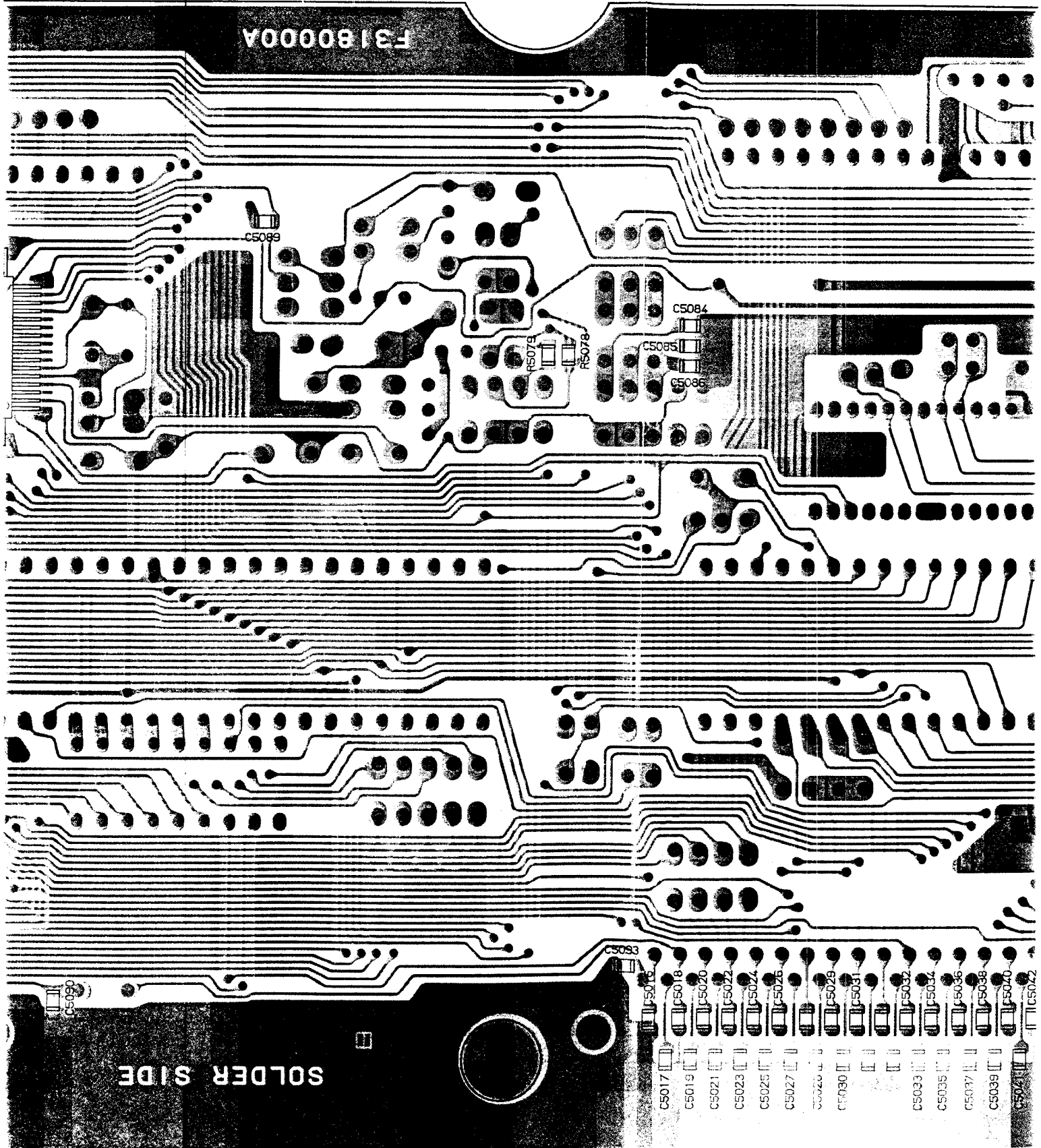
SOLDER SIDE

C5090

For Service Manuals Contact

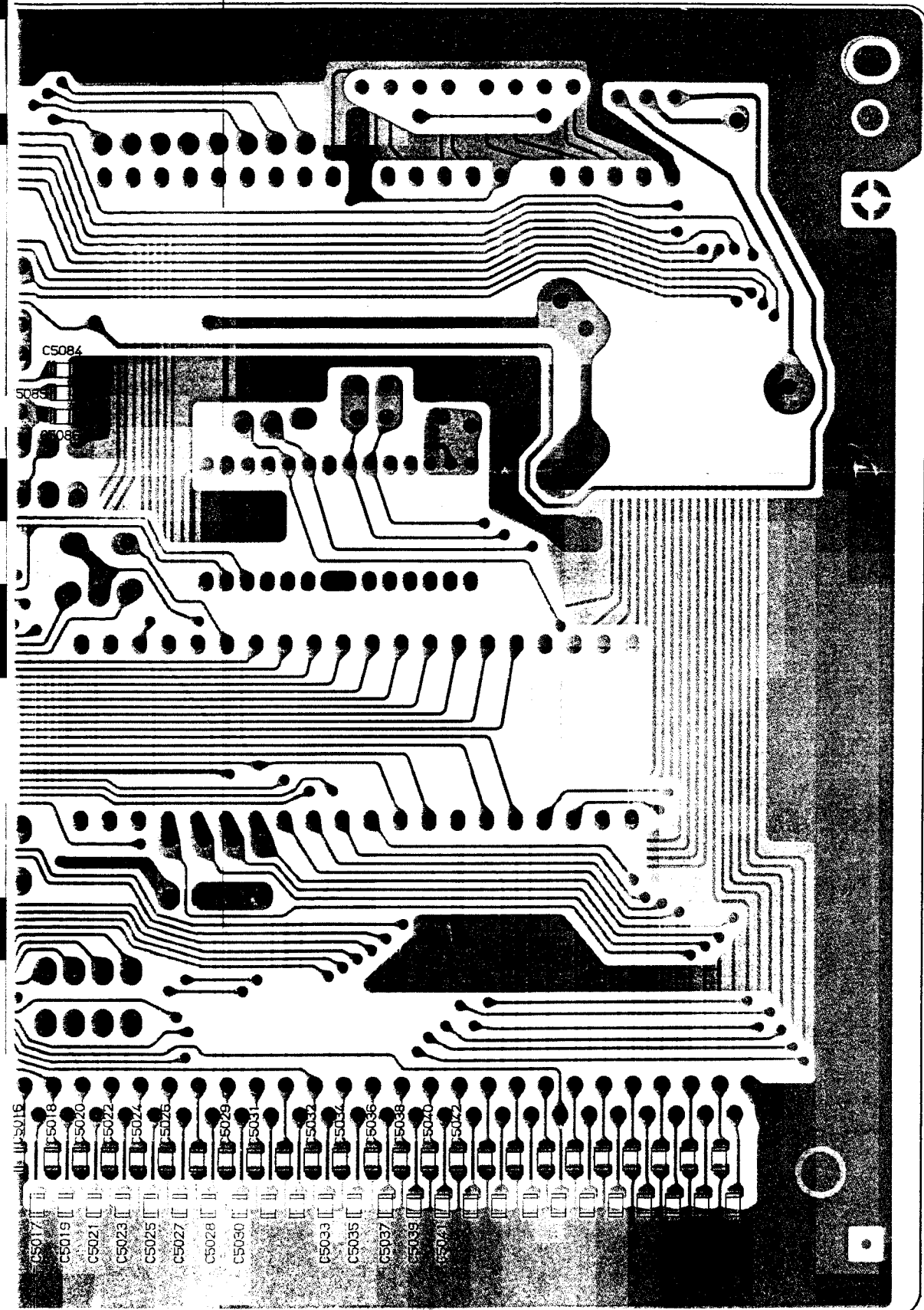
8 Cherry Tree Rd, Chinnor  
Oxon OX9 4QY  
Tel: 01844-351694 Fax: 01844-352554  
Email: enquiries@mauritron.co.uk

F3180000A

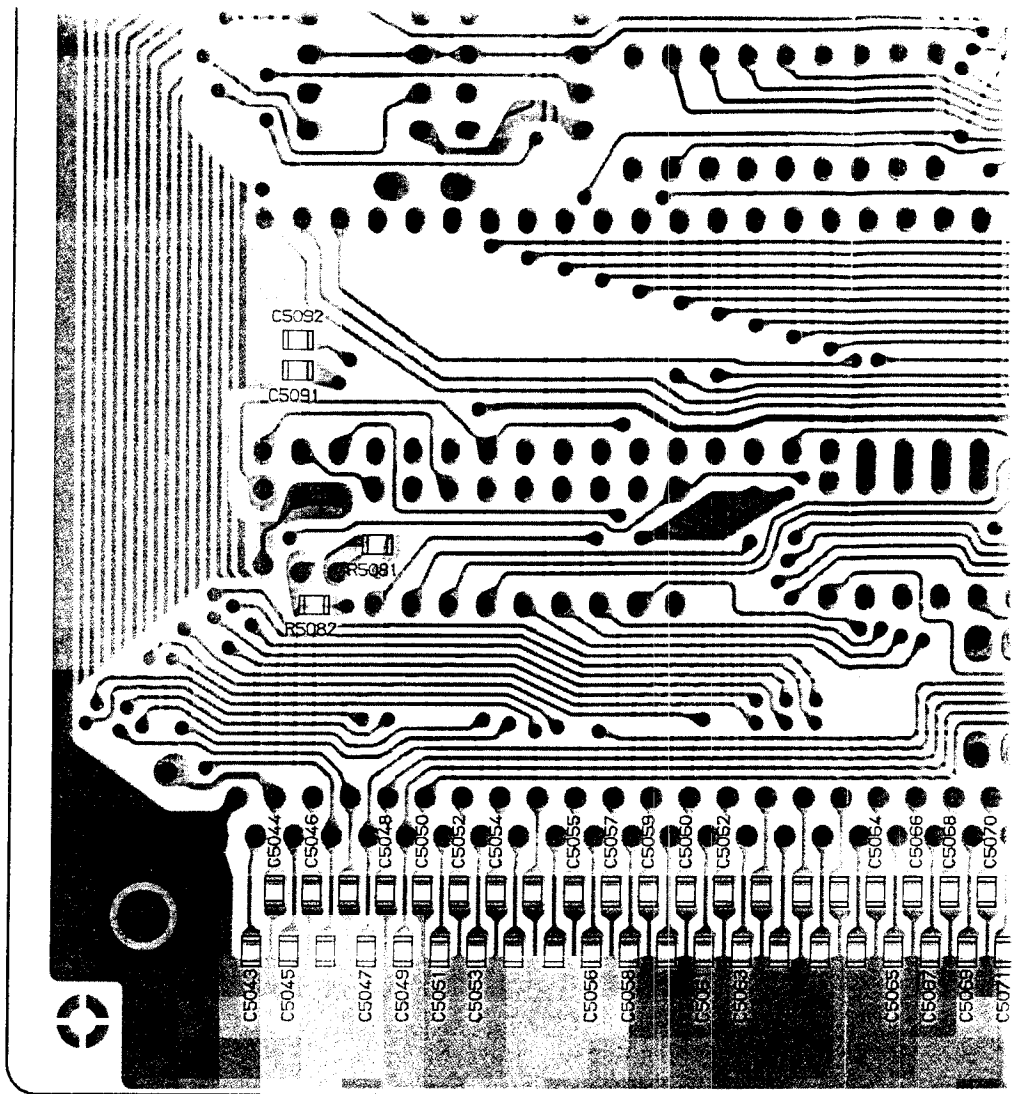


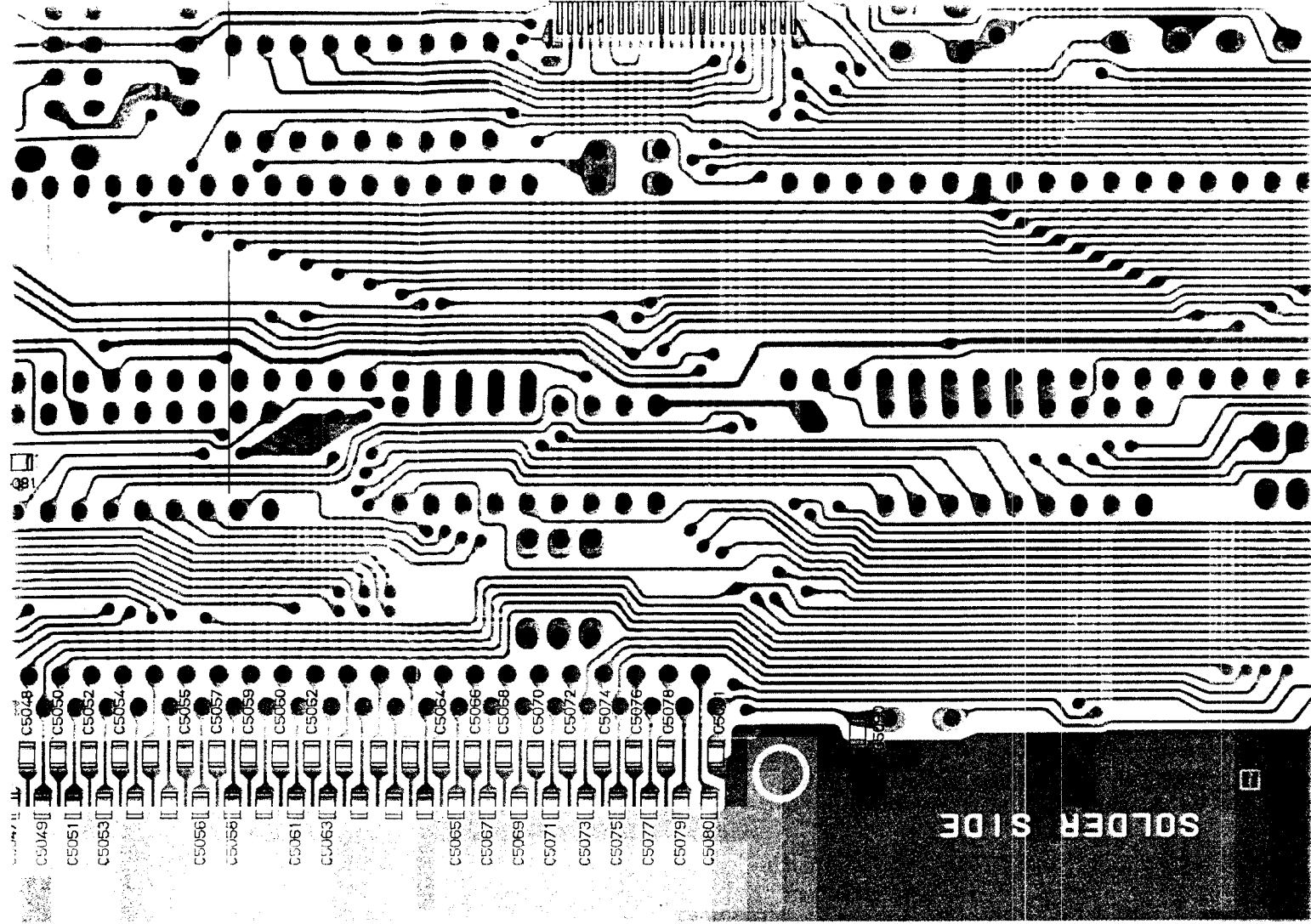
SOLDER SIDE

- C5017
- C5018
- C5019
- C5020
- C5021
- C5022
- C5023
- C5024
- C5025
- C5026
- C5027
- C5028
- C5029
- C5030
- C5031
- C5032
- C5033
- C5034
- C5035
- C5036
- C5037
- C5038
- C5039
- C5040
- C5041
- C5042



(“chip-only” side)



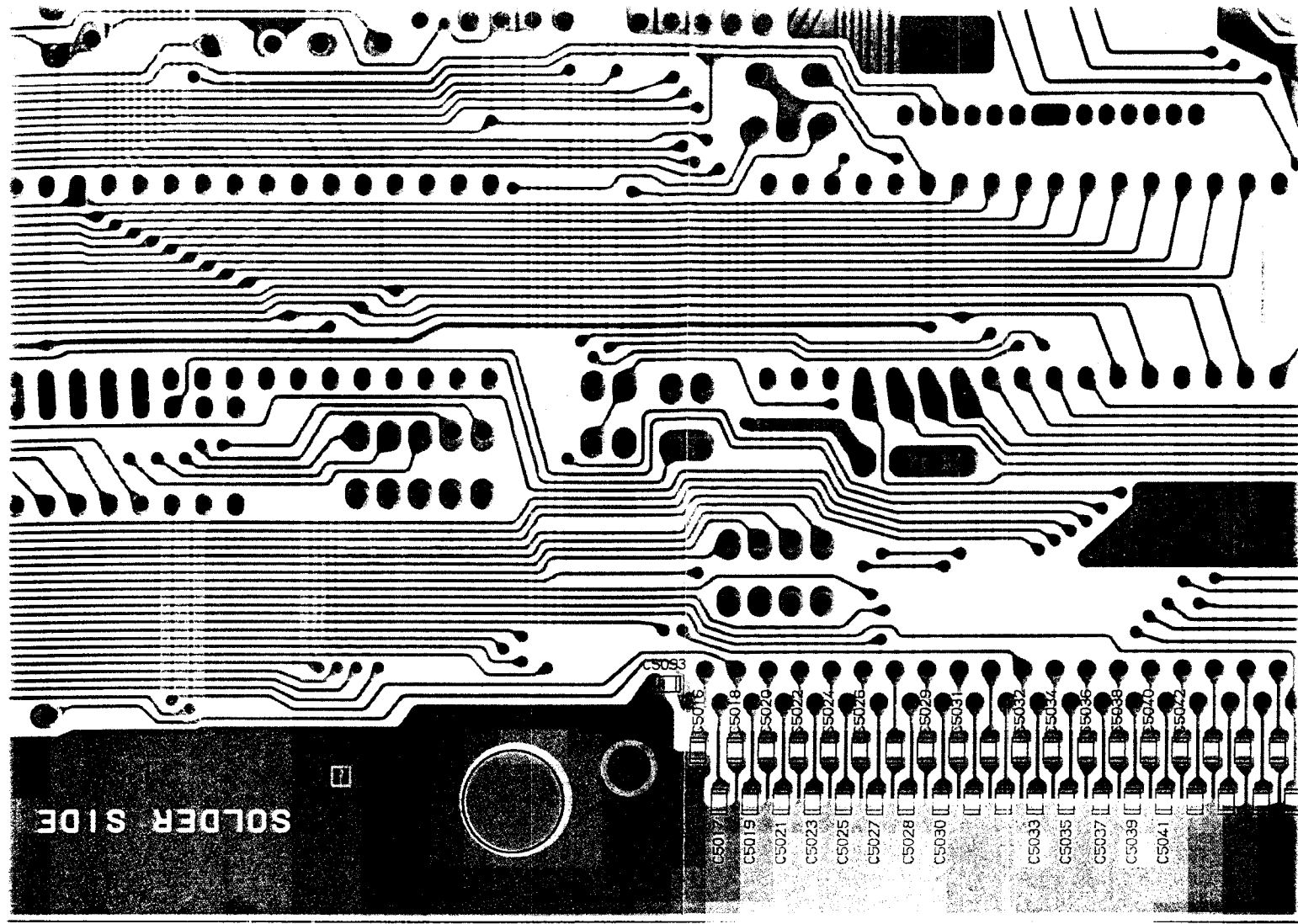


- CS048
- CS049
- CS050
- CS051
- CS052
- CS053
- CS054
- CS055
- CS056
- CS057
- CS058
- CS059
- CS060
- CS061
- CS062
- CS063
- CS064
- CS065
- CS066
- CS067
- CS068
- CS069
- CS070
- CS071
- CS072
- CS073
- CS074
- CS075
- CS076
- CS077
- CS078
- CS079
- CS080

SOLDER SIDE

For Service Manuals Contact  
**MAURITRON TECHNICAL SERVICES**  
8 Cherry Tree Rd, Chinnor  
Oxon OX9 4QY  
Tel:- 01844-351694 Fax:- 01844-352554  
Email:- enquiries@mauritron.co.uk

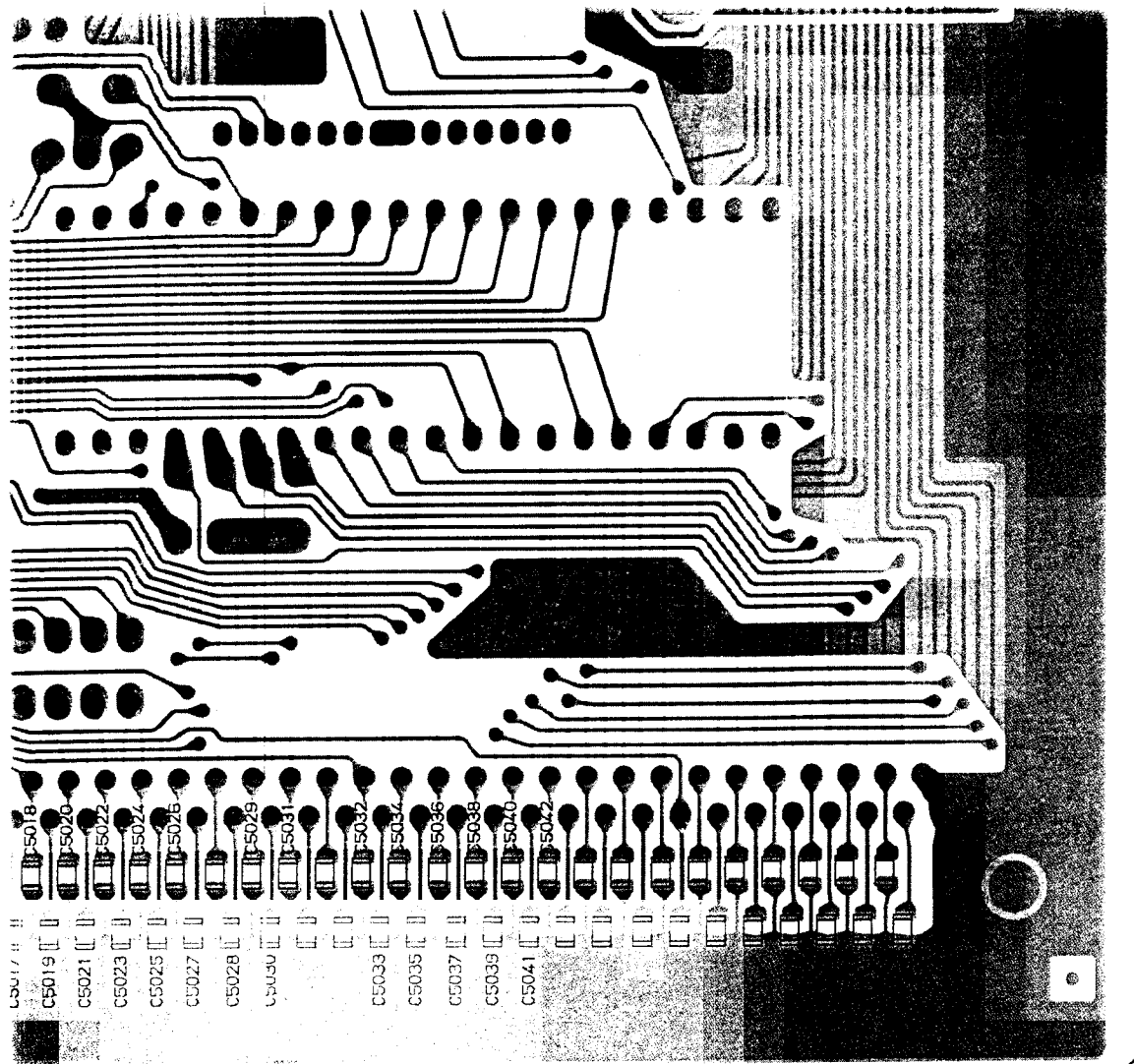




SOLDER SIDE

- C5017
- C5018
- C5019
- C5020
- C5021
- C5022
- C5023
- C5024
- C5025
- C5026
- C5027
- C5028
- C5029
- C5030
- C5031
- C5032
- C5033
- C5034
- C5035
- C5036
- C5037
- C5038
- C5039
- C5040
- C5041





(“chip-only” side)

# Control (CNTL) Unit

REF.	YAESU P/N	DESCRIPTION	MFRG'S DESIG	VALUE	WV	TOL.	VERS.
		*** CNTL UNIT ***					
	CA0227003	P. C. B. W COMP.					DST EXP
	CA0227004	P. C. B. W COMP.					DST USA
	CA0227005	P. C. B. W COMP.					DST BEL
	CA0227006	P. C. B. W COMP.					DST FRA
	CA0227007	P. C. B. W COMP.					DST AUS
	F3180000A	P. C. B. W/O COMP.					
BT5001	Q9000398	LITHIUM BATTERY	CR2032-HE4				
C 5002	K46170016	AL. ELECTRO. CAP.	50VR47M5X11TR5	0.47uF	50V		
C 5003	K28129001	CERAMIC CAP.	EP050Y103N-A	0.01uF	16V	Y	
C 5004	K28129001	CERAMIC CAP.	EP050Y103N-A	0.01uF	16V	Y	
C 5005	K28179030	CERAMIC CAP.	UP050SL330J-A-B	33pF	50V	SL	
C 5006	K28179030	CERAMIC CAP.	UP050SL330J-A-B	33pF	50V	SL	
C 5007	K28129001	CERAMIC CAP.	EP050Y103N-A	0.01uF	16V	Y	
C 5008	K28179003	CERAMIC CAP.	UP050F104Z-A-B	0.1uF	50V	F	
C 5009	K28129001	CERAMIC CAP.	EP050Y103N-A	0.01uF	16V	Y	
C 5010	K28129001	CERAMIC CAP.	EP050Y103N-A	0.01uF	16V	Y	
C 5011	K46170021	AL. ELECTRO. CAP.	50V100M5X11TR5	10uF	50V		
C 5012	K28179002	CERAMIC CAP.	UP050F473Z-A-B	0.047uF	50V	F	
C 5013	K28179002	CERAMIC CAP.	UP050F473Z-A-B	0.047uF	50V	F	
C 5014	K46170014	AL. ELECTRO. CAP.	50VR22M5X11TR5	0.22uF	50V		
C 5015	K46140005	AL. ELECTRO. CAP.	25V101M6X11TR5	100uF	25V		
C 5016	K22170817	CHIP CAP.	GRM40B103M50PT	0.01uF	50V	B	
C 5017	K22170817	CHIP CAP.	GRM40B103M50PT	0.01uF	50V	B	
C 5018	K22170817	CHIP CAP.	GRM40B103M50PT	0.01uF	50V	B	
C 5019	K22170817	CHIP CAP.	GRM40B103M50PT	0.01uF	50V	B	
C 5020	K22171008	CHIP CAP.	GRM40F473Z50PT	0.047uF	50V	F	
C 5021	K22171008	CHIP CAP.	GRM40F473Z50PT	0.047uF	50V	F	
C 5022	K22171008	CHIP CAP.	GRM40F473Z50PT	0.047uF	50V	F	
C 5023	K22171008	CHIP CAP.	GRM40F473Z50PT	0.047uF	50V	F	
C 5024	K22170817	CHIP CAP.	GRM40B103M50PT	0.01uF	50V	B	
C 5025	K22170817	CHIP CAP.	GRM40B103M50PT	0.01uF	50V	B	
C 5026	K22170817	CHIP CAP.	GRM40B103M50PT	0.01uF	50V	B	
C 5027	K22170817	CHIP CAP.	GRM40B103M50PT	0.01uF	50V	B	
C 5028	K22170817	CHIP CAP.	GRM40B103M50PT	0.01uF	50V	B	
C 5029	K22170817	CHIP CAP.	GRM40B103M50PT	0.01uF	50V	B	
C 5030	K22170817	CHIP CAP.	GRM40B103M50PT	0.01uF	50V	B	
C 5031	K22170817	CHIP CAP.	GRM40B103M50PT	0.01uF	50V	B	
C 5032	K22170817	CHIP CAP.	GRM40B103M50PT	0.01uF	50V	B	
C 5033	K22170817	CHIP CAP.	GRM40B103M50PT	0.01uF	50V	B	
C 5034	K22170817	CHIP CAP.	GRM40B103M50PT	0.01uF	50V	B	
C 5035	K22170817	CHIP CAP.	GRM40B103M50PT	0.01uF	50V	B	
C 5036	K22170817	CHIP CAP.	GRM40B103M50PT	0.01uF	50V	B	
C 5037	K22170817	CHIP CAP.	GRM40B103M50PT	0.01uF	50V	B	
C 5038	K22170817	CHIP CAP.	GRM40B103M50PT	0.01uF	50V	B	
C 5039	K22170817	CHIP CAP.	GRM40B103M50PT	0.01uF	50V	B	
C 5040	K22170817	CHIP CAP.	GRM40B103M50PT	0.01uF	50V	B	
C 5041	K22170817	CHIP CAP.	GRM40B103M50PT	0.01uF	50V	B	
C 5042	K22170817	CHIP CAP.	GRM40B103M50PT	0.01uF	50V	B	
C 5043	K22170817	CHIP CAP.	GRM40B103M50PT	0.01uF	50V	B	
C 5044	K22170817	CHIP CAP.	GRM40B103M50PT	0.01uF	50V	B	

# Control (CNTL) Unit

REF.	YAESU P/N	DESCRIPTION	MFGR'S DESIG	VALUE	WV	TOL.	VERS.
C 5045	K22170817	CHIP CAP.	GRM40B103M50PT	0.01uF	50V	B	
C 5046	K22170817	CHIP CAP.	GRM40B103M50PT	0.01uF	50V	B	
C 5047	K22170817	CHIP CAP.	GRM40B103M50PT	0.01uF	50V	B	
C 5048	K22170817	CHIP CAP.	GRM40B103M50PT	0.01uF	50V	B	
C 5049	K22170817	CHIP CAP.	GRM40B103M50PT	0.01uF	50V	B	
C 5050	K22170817	CHIP CAP.	GRM40B103M50PT	0.01uF	50V	B	
C 5051	K22170817	CHIP CAP.	GRM40B103M50PT	0.01uF	50V	B	
C 5052	K22170817	CHIP CAP.	GRM40B103M50PT	0.01uF	50V	B	
C 5053	K22170817	CHIP CAP.	GRM40B103M50PT	0.01uF	50V	B	
C 5054	K22170817	CHIP CAP.	GRM40B103M50PT	0.01uF	50V	B	
C 5055	K22170817	CHIP CAP.	GRM40B103M50PT	0.01uF	50V	B	
C 5056	K22170817	CHIP CAP.	GRM40B103M50PT	0.01uF	50V	B	
C 5057	K22170817	CHIP CAP.	GRM40B103M50PT	0.01uF	50V	B	
C 5058	K22170817	CHIP CAP.	GRM40B103M50PT	0.01uF	50V	B	
C 5059	K22170817	CHIP CAP.	GRM40B103M50PT	0.01uF	50V	B	
C 5060	K22170817	CHIP CAP.	GRM40B103M50PT	0.01uF	50V	B	
C 5061	K22170817	CHIP CAP.	GRM40B103M50PT	0.01uF	50V	B	
C 5062	K22170817	CHIP CAP.	GRM40B103M50PT	0.01uF	50V	B	
C 5063	K22170817	CHIP CAP.	GRM40B103M50PT	0.01uF	50V	B	
C 5064	K22170817	CHIP CAP.	GRM40B103M50PT	0.01uF	50V	B	
C 5065	K22170817	CHIP CAP.	GRM40B103M50PT	0.01uF	50V	B	
C 5066	K22170817	CHIP CAP.	GRM40B103M50PT	0.01uF	50V	B	
C 5067	K22170817	CHIP CAP.	GRM40B103M50PT	0.01uF	50V	B	
C 5068	K22170817	CHIP CAP.	GRM40B103M50PT	0.01uF	50V	B	
C 5069	K22170817	CHIP CAP.	GRM40B103M50PT	0.01uF	50V	B	
C 5070	K22171008	CHIP CAP.	GRM40F473Z50PT	0.047uF	50V	F	
C 5071	K22171008	CHIP CAP.	GRM40F473Z50PT	0.047uF	50V	F	
C 5072	K22171008	CHIP CAP.	GRM40F473Z50PT	0.047uF	50V	F	
C 5073	K22170817	CHIP CAP.	GRM40B103M50PT	0.01uF	50V	B	
C 5074	K22170817	CHIP CAP.	GRM40B103M50PT	0.01uF	50V	B	
C 5075	K22170817	CHIP CAP.	GRM40B103M50PT	0.01uF	50V	B	
C 5076	K22170817	CHIP CAP.	GRM40B103M50PT	0.01uF	50V	B	
C 5077	K22170817	CHIP CAP.	GRM40B103M50PT	0.01uF	50V	B	
C 5078	K22170817	CHIP CAP.	GRM40B103M50PT	0.01uF	50V	B	
C 5079	K22170817	CHIP CAP.	GRM40B103M50PT	0.01uF	50V	B	
C 5080	K22170817	CHIP CAP.	GRM40B103M50PT	0.01uF	50V	B	
C 5081	K22170817	CHIP CAP.	GRM40B103M50PT	0.01uF	50V	B	
C 5082	K28179002	CERAMIC CAP.	UP050F473Z-A-B	0.047uF	50V	F	
C 5083	K28179002	CERAMIC CAP.	UP050F473Z-A-B	0.047uF	50V	F	
C 5084	K22170805	CHIP CAP.	GRM40B102M50PT	0.001uF	50V	B	
C 5085	K22170805	CHIP CAP.	GRM40B102M50PT	0.001uF	50V	B	
C 5086	K22170805	CHIP CAP.	GRM40B102M50PT	0.001uF	50V	B	
C 5087	K22170805	CHIP CAP.	GRM40B102M50PT	0.001uF	50V	B	
C 5088	K22170805	CHIP CAP.	GRM40B102M50PT	0.001uF	50V	B	
C 5089	K22170805	CHIP CAP.	GRM40B102M50PT	0.001uF	50V	B	
C 5090	K22170805	CHIP CAP.	GRM40B102M50PT	0.001uF	50V	B	
C 5091	K22170805	CHIP CAP.	GRM40B102M50PT	0.001uF	50V	B	
C 5092	K22170805	CHIP CAP.	GRM40B102M50PT	0.001uF	50V	B	
C 5093	K22170817	CHIP CAP.	GRM40B103M50PT	0.01uF	50V	B	
CO5001	H7900580	CERAMIC OSC	CSA8.00MT				
D 5002	G2060004	DIODE	1SS270TJ				
D 5003	G2060004	DIODE	1SS270TJ				
D 5004	G2060004	DIODE	1SS270TJ				

# Control (CNTL) Unit

REF.	YAESU P/N	DESCRIPTION	MFGR'S DESIG	VALUE	WV	TOL.	VERS.
D 5005	G2060004	DIODE	1SS270TJ				
D 5006	G2090118	DIODE	1SS97				
D 5007	G2060004	DIODE	1SS270TJ				
D 5008	G2060004	DIODE	1SS270TJ				
D 5009	G2060004	DIODE	1SS270TJ				
D 5010	G2060004	DIODE	1SS270TJ				
D 5011	G2060004	DIODE	1SS270TJ				
D 5012	G2060004	DIODE	1SS270TJ				
D 5013	G2060004	DIODE	1SS270TJ				
D 5014	G2060004	DIODE	1SS270TJ				
D 5015	G2060004	DIODE	1SS270TJ				
D 5016	G2090201	DIODE	RD3. 3EB2				
J 5001	P0090775	CONNECTOR	PCN5D-53PT-1. 27DS				
J 5002	P0090775	CONNECTOR	PCN5D-53PT-1. 27DS				
Q 5001	G1090840	IC	M51943BSL				
Q 5002	G3309451Q	TRANSISTOR	2SC945AQ				
Q 5003	G1090836	IC	M54564P				
Q 5004	G1091180	IC	M37700M4-117FP				
Q 5005	G1091120	IC	TC74HC08AP				
Q 5006	G1091120	IC	TC74HC08AP				
Q 5007	G1091120	IC	TC74HC08AP				
Q 5008	G1091120	IC	TC74HC08AP				
Q 5009	G1091007	IC	HD74HC00P				
Q 5010	G1091080	IC	FQ7924				
Q 5011	G3107331Q	TRANSISTOR	2SA733AQ				
Q 5012	G3309451Q	TRANSISTOR	2SC945AQ				
Q 5014	G1091121	IC	M5M82C55AP-2				
Q 5015	G1091121	IC	M5M82C55AP-2				
Q 5016	G1091121	IC	M5M82C55AP-2				
Q 5017	G3309451Q	TRANSISTOR	2SC945AQ				
Q 5018	G1090836	IC	M54564P				
Q 5019	G1091119	IC	TD62593AP				
Q 5020	G1090836	IC	M54564P				
Q 5021	G3050003	TRANSISTOR	BA1A4P-T				
R 5001	J07225222	CARBON FILM RES.	RD16TPJ222	2. 2K		1/6W	
R 5002	J07225102	CARBON FILM RES.	RD16TPJ102	1K		1/6W	
R 5004	J07225103	CARBON FILM RES.	RD16TPJ103	10K		1/6W	
R 5005	J07225473	CARBON FILM RES.	RD16TPJ473	47K		1/6W	
R 5006	J07225102	CARBON FILM RES.	RD16TPJ102	1K		1/6W	
R 5007	J07225102	CARBON FILM RES.	RD16TPJ102	1K		1/6W	
R 5008	J07225102	CARBON FILM RES.	RD16TPJ102	1K		1/6W	
R 5009	J07225103	CARBON FILM RES.	RD16TPJ103	10K		1/6W	
R 5010	J07225104	CARBON FILM RES.	RD16TPJ104	100K		1/6W	
R 5011	J07225104	CARBON FILM RES.	RD16TPJ104	100K		1/6W	
R 5012	J07225104	CARBON FILM RES.	RD16TPJ104	100K		1/6W	
R 5013	J07225103	CARBON FILM RES.	RD16TPJ103	10K		1/6W	
R 5014	J07225103	CARBON FILM RES.	RD16TPJ103	10K		1/6W	
R 5015	J07225105	CARBON FILM RES.	RD16TPJ105	1M		1/6W	
R 5016	J07225104	CARBON FILM RES.	RD16TPJ104	100K		1/6W	
R 5017	J07225104	CARBON FILM RES.	RD16TPJ104	100K		1/6W	
R 5018	J07225104	CARBON FILM RES.	RD16TPJ104	100K		1/6W	
R 5019	J07225104	CARBON FILM RES.	RD16TPJ104	100K		1/6W	

# Control (CNTL) Unit

REF.	YAESU P/N	DESCRIPTION	MFGR'S DESIG	VALUE	WV	TOL.	VERS.
R 5020	J07225103	CARBON FILM RES.	RD16TPJ103	10K	1/6W		
R 5021	J07225123	CARBON FILM RES.	RD16TPJ123	12K	1/6W		
R 5022	J07225103	CARBON FILM RES.	RD16TPJ103	10K	1/6W		
R 5023	J07225392	CARBON FILM RES.	RD16TPJ392	3.9K	1/6W		
R 5024	J07225104	CARBON FILM RES.	RD16TPJ104	100K	1/6W		
R 5025	J07225104	CARBON FILM RES.	RD16TPJ104	100K	1/6W		
R 5026	J07225104	CARBON FILM RES.	RD16TPJ104	100K	1/6W		
R 5027	J07225104	CARBON FILM RES.	RD16TPJ104	100K	1/6W		
R 5028	J07225472	CARBON FILM RES.	RD16TPJ472	4.7K	1/6W		
R 5029	J07225472	CARBON FILM RES.	RD16TPJ472	4.7K	1/6W		
R 5030	J07225104	CARBON FILM RES.	RD16TPJ104	100K	1/6W		
R 5031	J07225102	CARBON FILM RES.	RD16TPJ102	1K	1/6W		
R 5032	J07225104	CARBON FILM RES.	RD16TPJ104	100K	1/6W		
R 5033	J07225104	CARBON FILM RES.	RD16TPJ104	100K	1/6W		
R 5034	J07225104	CARBON FILM RES.	RD16TPJ104	100K	1/6W		
R 5035	J07225103	CARBON FILM RES.	RD16TPJ103	10K	1/6W		
R 5036	J07225104	CARBON FILM RES.	RD16TPJ104	100K	1/6W		
R 5040	J07225221	CARBON FILM RES.	RD16TPJ221	220	1/6W		
R 5041	J07225221	CARBON FILM RES.	RD16TPJ221	220	1/6W		
R 5042	J07225221	CARBON FILM RES.	RD16TPJ221	220	1/6W		
R 5043	J07225221	CARBON FILM RES.	RD16TPJ221	220	1/6W		
R 5044	J07225471	CARBON FILM RES.	RD16TPJ471	470	1/6W		
R 5045	J07225471	CARBON FILM RES.	RD16TPJ471	470	1/6W		
R 5046	J07225471	CARBON FILM RES.	RD16TPJ471	470	1/6W		
R 5047	J07225103	CARBON FILM RES.	RD16TPJ103	10K	1/6W		
R 5048	J07225472	CARBON FILM RES.	RD16TPJ472	4.7K	1/6W		
R 5049	J07225472	CARBON FILM RES.	RD16TPJ472	4.7K	1/6W		
R 5050	J07225223	CARBON FILM RES.	RD16TPJ223	22K	1/6W		
R 5051	J07225102	CARBON FILM RES.	RD16TPJ102	1K	1/6W		
R 5052	J07225473	CARBON FILM RES.	RD16TPJ473	47K	1/6W		
R 5053	J07225103	CARBON FILM RES.	RD16TPJ103	10K	1/6W		
R 5054	J07225101	CARBON FILM RES.	RD16TPJ101	100	1/6W		
R 5070	J07225104	CARBON FILM RES.	RD16TPJ104	100K	1/6W		
R 5071	J07225104	CARBON FILM RES.	RD16TPJ104	100K	1/6W		
R 5072	J07225104	CARBON FILM RES.	RD16TPJ104	100K	1/6W		
R 5073	J07225104	CARBON FILM RES.	RD16TPJ104	100K	1/6W		
R 5074	J07225104	CARBON FILM RES.	RD16TPJ104	100K	1/6W		
R 5075	J07225104	CARBON FILM RES.	RD16TPJ104	100K	1/6W		
R 5076	J07225104	CARBON FILM RES.	RD16TPJ104	100K	1/6W		
R 5077	J07225104	CARBON FILM RES.	RD16TPJ104	100K	1/6W		
R 5078	J24205102	CHIP RES.	RMC1/10T 102J	1K	1/10W		
R 5079	J24205102	CHIP RES.	RMC1/10T 102J	1K	1/10W		
R 5080	J07225102	CARBON FILM RES.	RD16TPJ102	1K	1/6W		
R 5081	J24205102	CHIP RES.	RMC1/10T 102J	1K	1/10W		
R 5082	J24205102	CHIP RES.	RMC1/10T 102J	1K	1/10W		
R 5083	J07225472	CARBON FILM RES.	RD16TPJ472	4.7K	1/6W		
R 5084	J07225472	CARBON FILM RES.	RD16TPJ472	4.7K	1/6W		
RB5001	J40900036	BLOCK RES.	EXB-P85103	EXB-P85103			
RB5002	J40900164	BLOCK RES.	EXB-P84103K	EXB-P84103			
RB5003	J40900164	BLOCK RES.	EXB-P84103K	EXB-P84103			
RB5004	J40900035	BLOCK RES.	EXB-P88103	EXB-P88103			
S 5001	N6090051	SLIDE SWITCH	SSS212299				
S 5002	N0190157	ROTARY SWITCH	DRR3016				

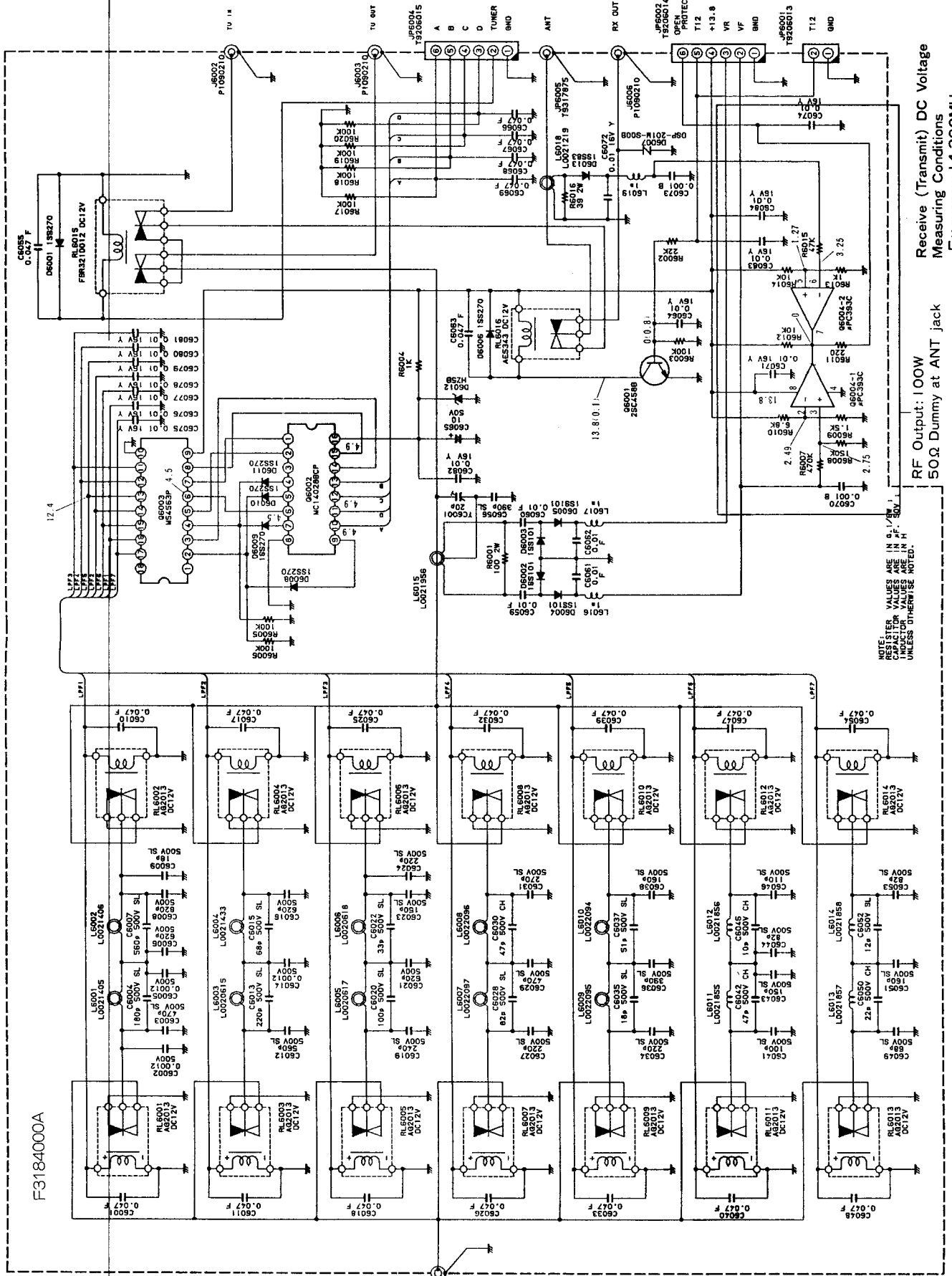
For Service Manuals Contact  
**MAURITRON TECHNICAL SERVICES**  
 8 Cherry Tree Rd, Chinnor  
 Oxon OX9 4QY  
 Tel:- 01844-351694 Fax:- 01844-352554  
 Email:- enquiries@mauritron.co.uk

# Control (CNTL) Unit

REF.	YAESU P/N	DESCRIPTION	MFGR'S DESIG	VALUE	WV	TOL.	VERS.
S 5003	N0190157	ROTARY SWITCH	DRR3016				
S 5004	N7090102	DIP SWITCH	DPS708				
S 5005	N7090104	DIP SWITCH	DPS704				
	R0136960	FITTING R					
	R0136970	FITTING L					

For Service Manuals Contact  
MAURITRON TECHNICAL SERVICES  
8 Cherry Tree Rd, Chinnor  
Oxon OX9 4QY  
Tel:- 01844-351694 Fax:- 01844-352554  
Email:- enquiries@mauritron.co.uk

LPF Unit

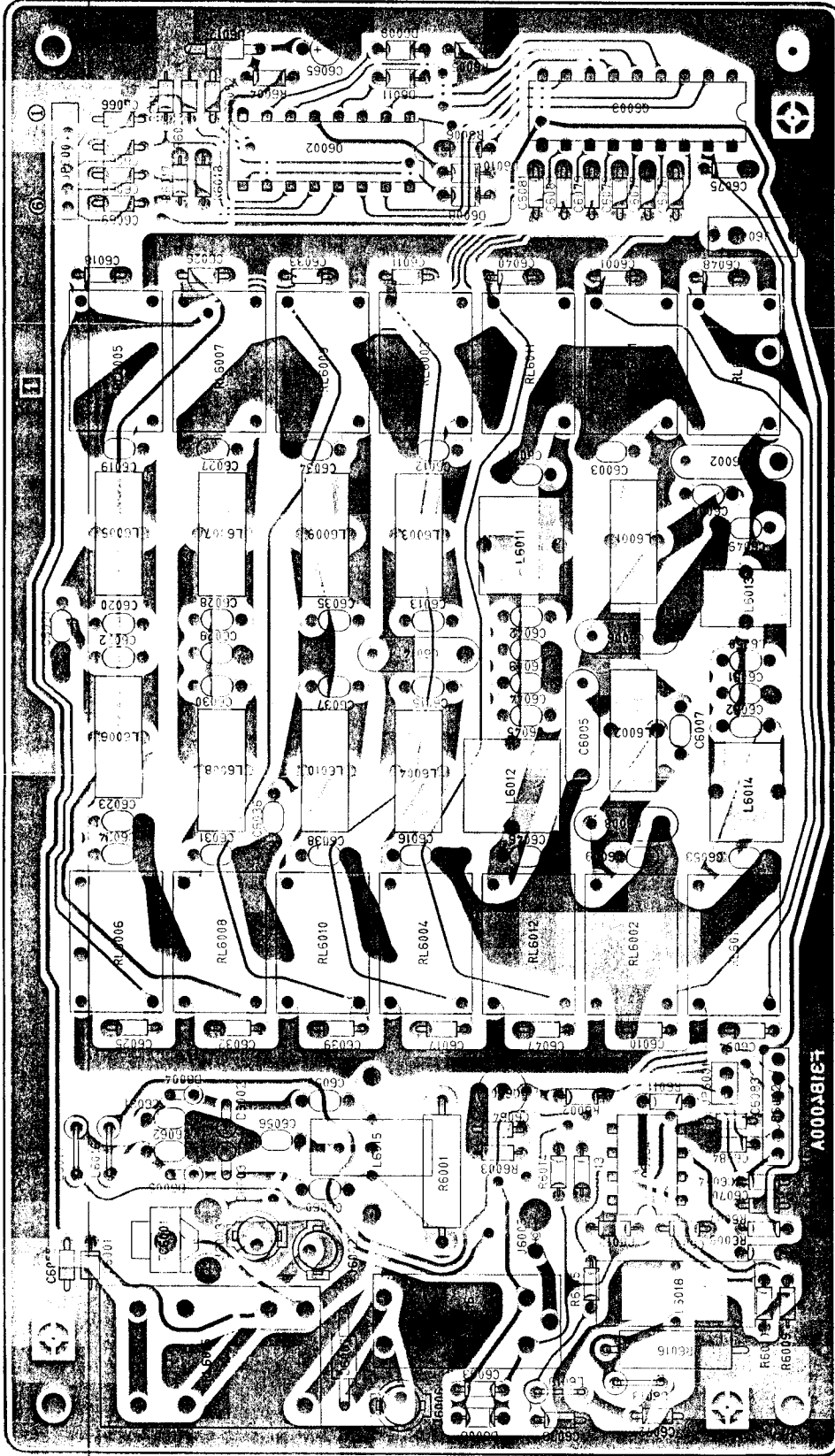


NOTE: CAPACITOR VALUES ARE IN P.F. UNLESS OTHERWISE NOTED.

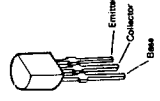
Receive (Transmit) DC Voltage  
 Measuring Conditions  
 Frequency: 14.200MHz  
 Mode: CW

RF Output: 100W  
 50Ω Dummy at ANT jack

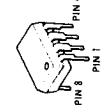
F3184000A



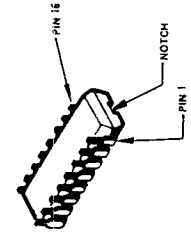
("component" side)



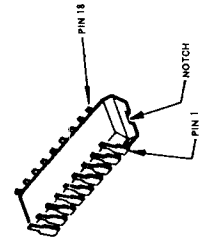
2SC438B  
(Q6001)



APC393C  
(Q6004)



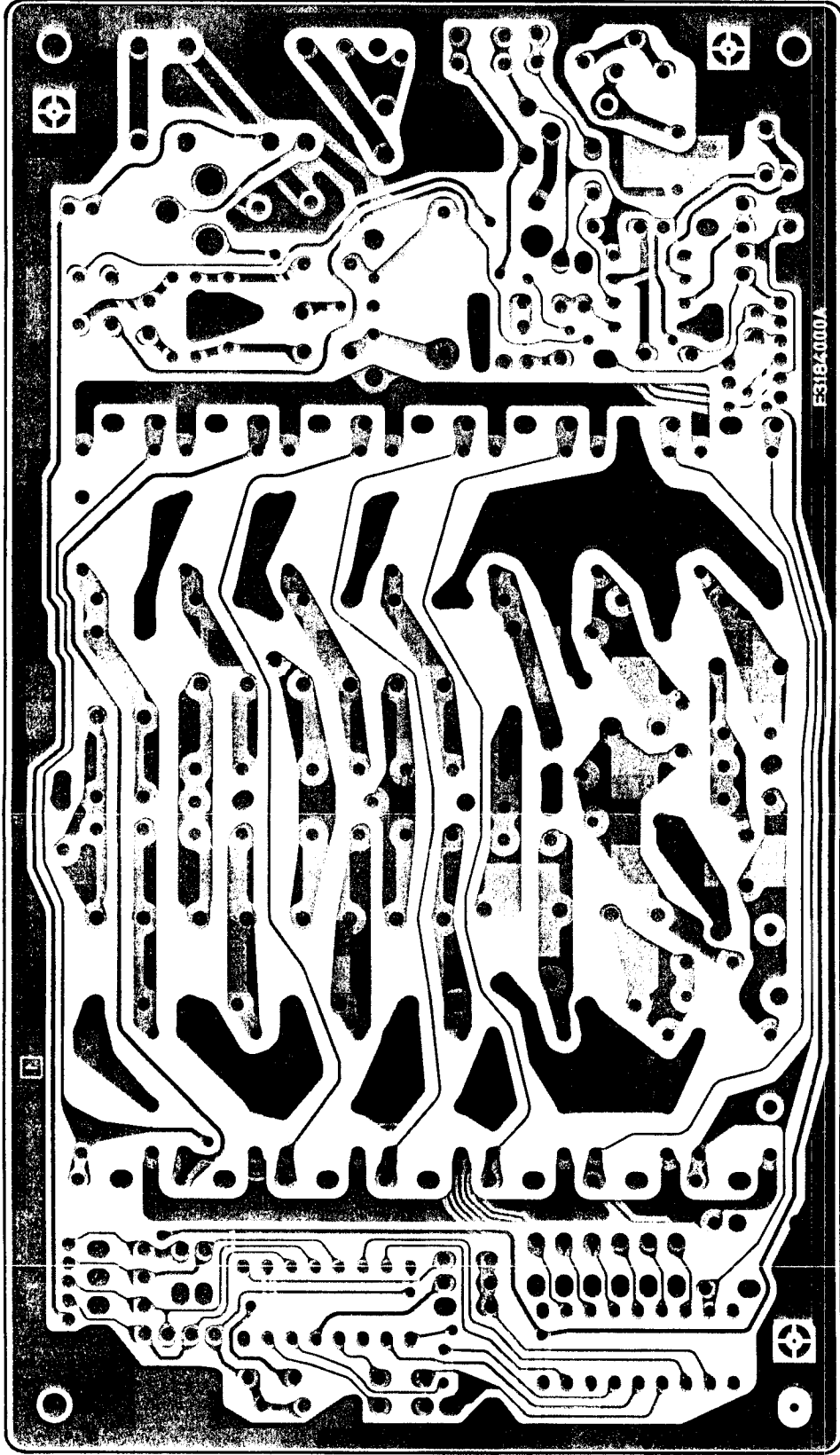
MC14028BCP  
(Q6002)



M54563P  
(Q6003)

For Service Manuals Contact  
**MAURITRON TECHNICAL SERVICES**  
 8 Cherry Tree Rd, Chinnor  
 Oxon OX9 4QY  
 Tel: 01844-351694 Fax: 01844-352554  
 Email: enquiries@mauritron.co.uk





(“solder” side)

REF.	YAESU P/N	DESCRIPTION	MFRG'S DESIG	VALUE	WV	TOL.	VERS.
		*** LPF UNIT ***					
	CA0231001	P.C.B. W COMP.					
	F3184000A	P.C.B. W/O COMP.					
C 6001	K28179002	CERAMIC CAP.	UP050F473Z-A-B	0.047uF	50V	F	
C 6002	K30275122	MICA CAP.	LCQ21122J5	0.0012uF	500V		
C 6003	K26270053	CERAMIC CAP.	DD11-979SL471K500	470pF	500V	SL	
C 6004	K26270043	CERAMIC CAP.	DD08-979SL181K500	180pF	500V	SL	
C 6005	K30275122	MICA CAP.	LCQ21122J5	0.0012uF	500V		
C 6006	K30275621	MICA CAP.	LCQ18621J5	620p	500V		
C 6007	K00279005	CERAMIC CAP.	DD12SL561K500	560pF	500V	SL	
C 6008	K30275821	MICA CAP.	LCQ18821J5	820pF	500V		
C 6009	K26270019	CERAMIC CAP.	DD05-979SL180K500	18pF	500V	SL	
C 6010	K28179002	CERAMIC CAP.	UP050F473Z-A-B	0.047uF	50V	F	
C 6011	K28179002	CERAMIC CAP.	UP050F473Z-A-B	0.047uF	50V	F	
C 6012	K00279005	CERAMIC CAP.	DD12SL561K500	560pF	500V	SL	
C 6013	K26270045	CERAMIC CAP.	DD09-979SL221K500	220pF	500V	SL	
C 6014	K30275122	MICA CAP.	LCQ21122J5	0.0012uF	500V		
C 6015	K26270033	CERAMIC CAP.	DD05-979SL680K500	68pF	500V	SL	
C 6016	K30275621	MICA CAP.	LCQ18621J5	620p	500V		
C 6017	K28179002	CERAMIC CAP.	UP050F473Z-A-B	0.047uF	50V	F	
C 6018	K28179002	CERAMIC CAP.	UP050F473Z-A-B	0.047uF	50V	F	
C 6019	K26270046	CERAMIC CAP.	DD09-979SL241K500	240p	500V	SL	
C 6020	K26270037	CERAMIC CAP.	DD06-979SL101K500	100pF	500V	SL	
C 6021	K30275621	MICA CAP.	LCQ18621J5	620p	500V		
C 6022	K26270025	CERAMIC CAP.	DD05-979SL330K500	33pF	500V	SL	
C 6023	K26270041	CERAMIC CAP.	DD07-979SL151K500	150pF	500V	SL	
C 6024	K26270045	CERAMIC CAP.	DD09-979SL221K500	220pF	500V	SL	
C 6025	K28179002	CERAMIC CAP.	UP050F473Z-A-B	0.047uF	50V	F	
C 6026	K28179002	CERAMIC CAP.	UP050F473Z-A-B	0.047uF	50V	F	
C 6027	K26270045	CERAMIC CAP.	DD09-979SL221K500	220pF	500V	SL	
C 6028	K26270035	CERAMIC CAP.	DD06-979SL820K500	82pF	500V	SL	
C 6029	K26270053	CERAMIC CAP.	DD11-979SL471K500	470pF	500V	SL	
C 6030	K26270128	CERAMIC CAP.	DD07-979CH470J500	47pF	500V	CH	
C 6031	K26270047	CERAMIC CAP.	DD09-979SL271K500	270pF	500V	SL	
C 6032	K28179002	CERAMIC CAP.	UP050F473Z-A-B	0.047uF	50V	F	
C 6033	K28179002	CERAMIC CAP.	UP050F473Z-A-B	0.047uF	50V	F	
C 6034	K26270045	CERAMIC CAP.	DD09-979SL221K500	220pF	500V	SL	
C 6035	K26270019	CERAMIC CAP.	DD05-979SL180K500	18pF	500V	SL	
C 6036	K26270051	CERAMIC CAP.	DD10-979SL391K500	390pF	500V	SL	
C 6037	K26270030	CERAMIC CAP.	DD05-979SL510K500	51p	500V	SL	
C 6038	K26270042	CERAMIC CAP.	DD07-979SL161K500	160p	500V	SL	
C 6039	K28179002	CERAMIC CAP.	UP050F473Z-A-B	0.047uF	50V	F	
C 6040	K28179002	CERAMIC CAP.	UP050F473Z-A-B	0.047uF	50V	F	
C 6041	K26270037	CERAMIC CAP.	DD06-979SL101K500	100pF	500V	SL	
C 6042	K26270128	CERAMIC CAP.	DD07-979CH470J500	47pF	500V	CH	
C 6043	K26270041	CERAMIC CAP.	DD07-979SL151K500	150pF	500V	SL	
C 6044	K26270035	CERAMIC CAP.	DD06-979SL820K500	82pF	500V	SL	
C 6045	K26270112	CERAMIC CAP.	DD05-979CH100D500	10pF	500V	CH	
C 6046	K26270038	CERAMIC CAP.	DD07-979SL111K500	110p	500V	SL	
C 6047	K28179002	CERAMIC CAP.	UP050F473Z-A-B	0.047uF	50V	F	
C 6048	K28179002	CERAMIC CAP.	UP050F473Z-A-B	0.047uF	50V	F	
C 6049	K26270033	CERAMIC CAP.	DD05-979SL680K500	68pF	500V	SL	

# LPF Unit

REF.	YAESU P/N	DESCRIPTION	MFGR'S DESIG	VALUE	WV	TOL.	VERS.
C 6050	K26270120	CERAMIC CAP.	DD05-979CH220J500	22pF	500V	CH	
C 6051	K26270042	CERAMIC CAP.	DD07-979SL161K500	160p	500V	SL	
C 6052	K26270015	CERAMIC CAP.	DD05-979SL120K500	12pF	500V	SL	
C 6053	K26270035	CERAMIC CAP.	DD06-979SL820K500	82pF	500V	SL	
C 6054	K28179002	CERAMIC CAP.	UP050F473Z-A-B	0.047uF	50V	F	
C 6055	K28179002	CERAMIC CAP.	UP050F473Z-A-B	0.047uF	50V	F	
C 6056	K26171043	CERAMIC CAP.	DD108-979SL391J50	390pF	50V	SL	
C 6059	K26170657	CERAMIC CAP.	DD106-979F103Z50	0.01uF	50V	F	
C 6060	K26170657	CERAMIC CAP.	DD106-979F103Z50	0.01uF	50V	F	
C 6061	K26170657	CERAMIC CAP.	DD106-979F103Z50	0.01uF	50V	F	
C 6062	K26170657	CERAMIC CAP.	DD106-979F103Z50	0.01uF	50V	F	
C 6063	K28179002	CERAMIC CAP.	UP050F473Z-A-B	0.047uF	50V	F	
C 6064	K28129001	CERAMIC CAP.	EP050Y103N-A	0.01uF	16V	Y	
C 6065	K46170021	AL. ELECTRO. CAP.	50V100M5X11TR5	10uF	50V		
C 6066	K28179002	CERAMIC CAP.	UP050F473Z-A-B	0.047uF	50V	F	
C 6067	K28179002	CERAMIC CAP.	UP050F473Z-A-B	0.047uF	50V	F	
C 6068	K28179002	CERAMIC CAP.	UP050F473Z-A-B	0.047uF	50V	F	
C 6069	K28179002	CERAMIC CAP.	UP050F473Z-A-B	0.047uF	50V	F	
C 6070	K28179001	CERAMIC CAP.	UP050B102K-A-B	0.001uF	50V	B	
C 6071	K28129001	CERAMIC CAP.	EP050Y103N-A	0.01uF	16V	Y	
C 6072	K28129001	CERAMIC CAP.	EP050Y103N-A	0.01uF	16V	Y	
C 6073	K28179001	CERAMIC CAP.	UP050B102K-A-B	0.001uF	50V	B	
C 6074	K28129001	CERAMIC CAP.	EP050Y103N-A	0.01uF	16V	Y	
C 6075	K28129001	CERAMIC CAP.	EP050Y103N-A	0.01uF	16V	Y	
C 6076	K28129001	CERAMIC CAP.	EP050Y103N-A	0.01uF	16V	Y	
C 6077	K28129001	CERAMIC CAP.	EP050Y103N-A	0.01uF	16V	Y	
C 6078	K28129001	CERAMIC CAP.	EP050Y103N-A	0.01uF	16V	Y	
C 6079	K28129001	CERAMIC CAP.	EP050Y103N-A	0.01uF	16V	Y	
C 6080	K28129001	CERAMIC CAP.	EP050Y103N-A	0.01uF	16V	Y	
C 6081	K28129001	CERAMIC CAP.	EP050Y103N-A	0.01uF	16V	Y	
C 6082	K28129001	CERAMIC CAP.	EP050Y103N-A	0.01uF	16V	Y	
C 6083	K28129001	CERAMIC CAP.	EP050Y103N-A	0.01uF	16V	Y	
C 6084	K28129001	CERAMIC CAP.	EP050Y103N-A	0.01uF	16V	Y	
D 6001	G2060004	DIODE	1SS270TJ				
D 6002	G2090223	DIODE	1SS101				
D 6003	G2090223	DIODE	1SS101				
D 6004	G2090223	DIODE	1SS101				
D 6005	G2090223	DIODE	1SS101				
D 6006	G2060004	DIODE	1SS270TJ				
D 6007	Q9000375	SURGE ABSORBER	DSP201M-S00B				
D 6008	G2060004	DIODE	1SS270TJ				
D 6009	G2060004	DIODE	1SS270TJ				
D 6010	G2060004	DIODE	1SS270TJ				
D 6011	G2060004	DIODE	1SS270TJ				
D 6012	G2090242	DIODE	HZ5B				
D 6013	G2050007	DIODE	1SS83RE				
J 6001	P1090255	CONNECTOR	TMP-J01X-A2				
J 6002	P1090210	CONNECTOR	TMP-J01X-V6				
J 6003	P1090210	CONNECTOR	TMP-J01X-V6				
J 6006	P1090210	CONNECTOR	TMP-J01X-V6				
JP6001	T9206013	WIRE-ASSY					
JP6002	T9206014	WIRE-ASSY					

For Service Manuals Contact  
**MAURITRON TECHNICAL SERVICES**  
 8 Cherry Tree Rd, Chinnor  
 Oxon OX9 4QY  
 Tel: 01844-351694 Fax: 01844-352554  
 Email: enquiries@mauritron.co.uk

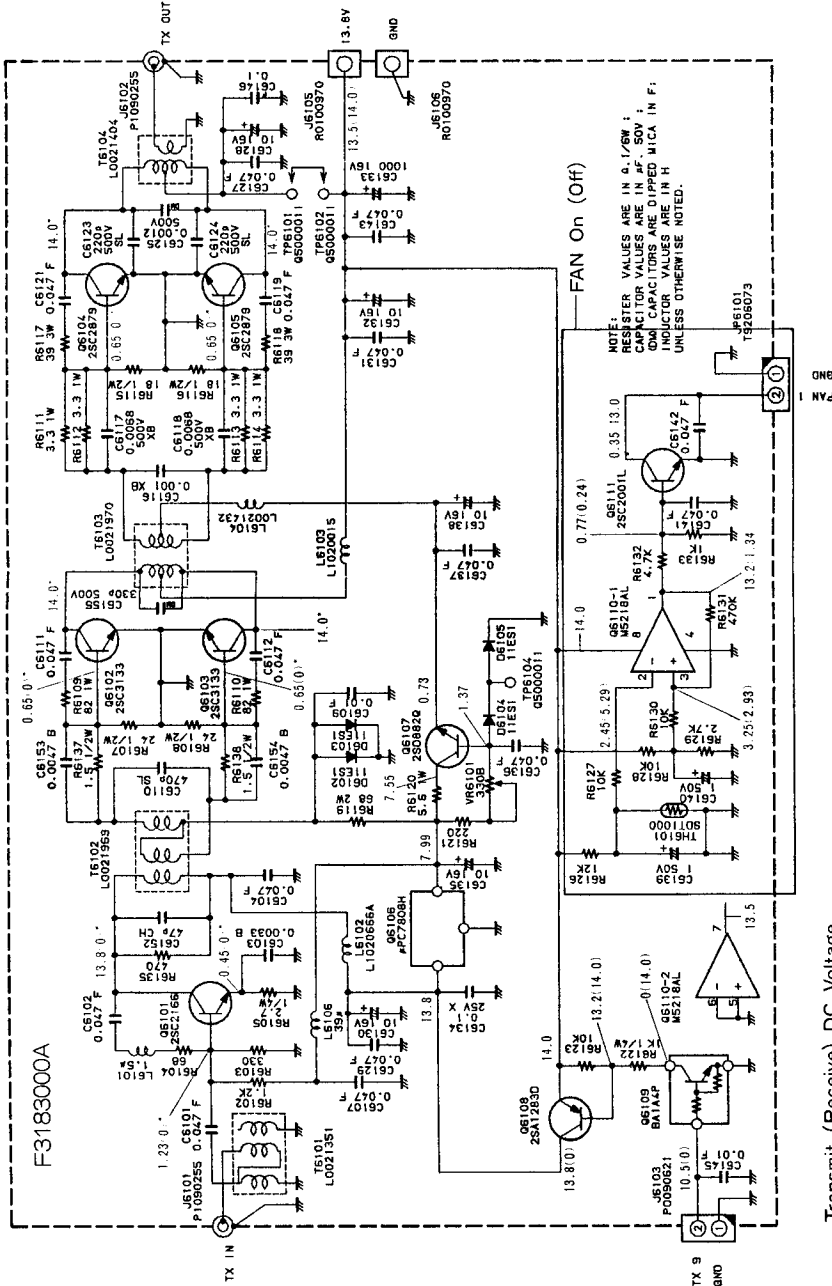
REF.	YAESU P/N	DESCRIPTION	MFGR'S DESIG	VALUE	WV	TOL.	VERS.
JP6004	T9206015	WIRE-ASSY					
JP6005	T9317875	WIRE-ASSY					
L 6001	L0021405	COIL	3.770U T50-2				
L 6002	L0021406	COIL	2.940U T50-2				
L 6003	L0020615	COIL	1.900U T50-2				
L 6004	L0021433	COIL	2.400U T-50-2				
L 6005	L0020617	COIL	1.100U T50-6				
L 6006	L0020618	COIL	1.320U T50-6				
L 6007	L0022097	COIL	0.90U T50-6				
L 6008	L0022096	COIL	0.76U T50-6				
L 6009	L0022095	COIL	0.65U T50-6				
L 6010	L0022094	COIL	0.55U T50-6				
L 6011	L0021855	COIL	8.0T8.5DO.9UEW R				
L 6012	L0021856	COIL	9.0T8.5DO.9UEW R				
L 6013	L0021857	COIL	6.0T8.0DO.8UEW R				
L 6014	L0021858	COIL	7.0T8.5DO.9UEW R				
L 6015	L0021956	COIL	U 2001F FR9.5				
L 6016	L1790164	M. RFC	LAL03VB102K	1mH			
L 6017	L1790164	M. RFC	LAL03VB102K	1mH			
L 6018	L0021219	COIL	1.890U 250L FR14				
L 6019	L1790164	M. RFC	LAL03VB102K	1mH			
Q 6001	G3304580B	TRANSISTOR	2SC458B				
Q 6002	G1090088	IC	MC14028BCP				
Q 6003	G1090721	IC	M54563P				
Q 6004	G1090536	IC	UPC393C				
R 6001	J22335101	METAL FILM RES.	ERG-2SJ101	100	2W		
R 6002	J07225223	CARBON FILM RES.	RD16TPJ223	22K	1/6W		
R 6003	J07225104	CARBON FILM RES.	RD16TPJ104	100K	1/6W		
R 6004	J07225102	CARBON FILM RES.	RD16TPJ102	1K	1/6W		
R 6005	J07225104	CARBON FILM RES.	RD16TPJ104	100K	1/6W		
R 6006	J07225104	CARBON FILM RES.	RD16TPJ104	100K	1/6W		
R 6007	J07225474	CARBON FILM RES.	RD16TPJ474	470K	1/6W		
R 6008	J07225154	CARBON FILM RES.	RD16TPJ154	150K	1/6W		
R 6009	J07225152	CARBON FILM RES.	RD16TPJ152	1.5K	1/6W		
R 6010	J07225682	CARBON FILM RES.	RD16TPJ682	6.8K	1/6W		
R 6011	J07225221	CARBON FILM RES.	RD16TPJ221	220	1/6W		
R 6012	J07225103	CARBON FILM RES.	RD16TPJ103	10K	1/6W		
R 6013	J07225102	CARBON FILM RES.	RD16TPJ102	1K	1/6W		
R 6014	J07225103	CARBON FILM RES.	RD16TPJ103	10K	1/6W		
R 6015	J07225473	CARBON FILM RES.	RD16TPJ473	47K	1/6W		
R 6016	J21339003	METAL FILM RES.	ERG-2SJ390	39	2W		
R 6017	J07225104	CARBON FILM RES.	RD16TPJ104	100K	1/6W		
R 6018	J07225104	CARBON FILM RES.	RD16TPJ104	100K	1/6W		
R 6019	J07225104	CARBON FILM RES.	RD16TPJ104	100K	1/6W		
R 6020	J07225104	CARBON FILM RES.	RD16TPJ104	100K	1/6W		
RL6001	M1190045	RELAY	AG2013	DC12V		DC12V	
RL6002	M1190045	RELAY	AG2013	DC12V		DC12V	
RL6003	M1190045	RELAY	AG2013	DC12V		DC12V	
RL6004	M1190045	RELAY	AG2013	DC12V		DC12V	
RL6005	M1190045	RELAY	AG2013	DC12V		DC12V	
RL6006	M1190045	RELAY	AG2013	DC12V		DC12V	

# LPF Unit

REF.	YAESU P/N	DESCRIPTION	MFR'S DESIG		VALUE	WV	TOL.	VERS.
RL6007	M1190045	RELAY	AG2013	DC12V		DC12V		
RL6008	M1190045	RELAY	AG2013	DC12V		DC12V		
RL6009	M1190045	RELAY	AG2013	DC12V		DC12V		
RL6010	M1190045	RELAY	AG2013	DC12V		DC12V		
RL6011	M1190045	RELAY	AG2013	DC12V		DC12V		
RL6012	M1190045	RELAY	AG2013	DC12V		DC12V		
RL6013	M1190045	RELAY	AG2013	DC12V		DC12V		
RL6014	M1190045	RELAY	AG2013	DC12V		DC12V		
RL6015	M1190023	RELAY	FBR321D012	DC12V		DC12V		
RL6016	M1190005	RELAY	AE5343	DC12V		DC12V		
TC6001	K9100020	TRIMMER CAP.	ECV12W20X40		20p			

For Service Manuals Contact  
MAURITRON TECHNICAL SERVICES  
8 Cherry Tree Rd, Chinnor  
Oxon OX9 4QY  
Tel: 01844-351694 Fax: 01844-352554  
Email: enquiries@mauritron.co.uk

# 100-W Power Amp (PA) Unit



Transmit (Receive) DC Voltage

Measuring Conditions

Frequency: 14.300MHz

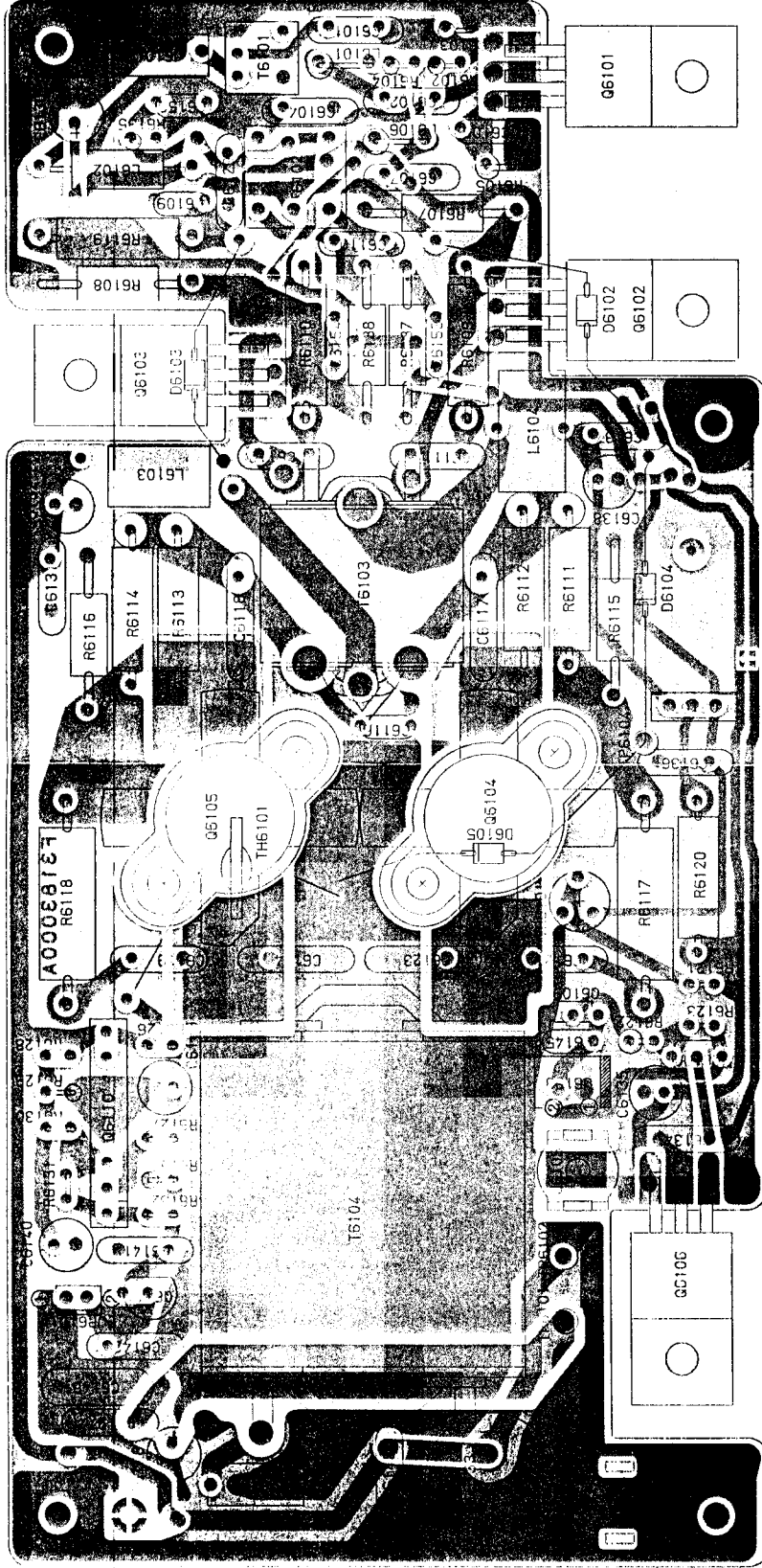
Mode: CW (RF Output: 100W)

\* TX & KEY jack Open

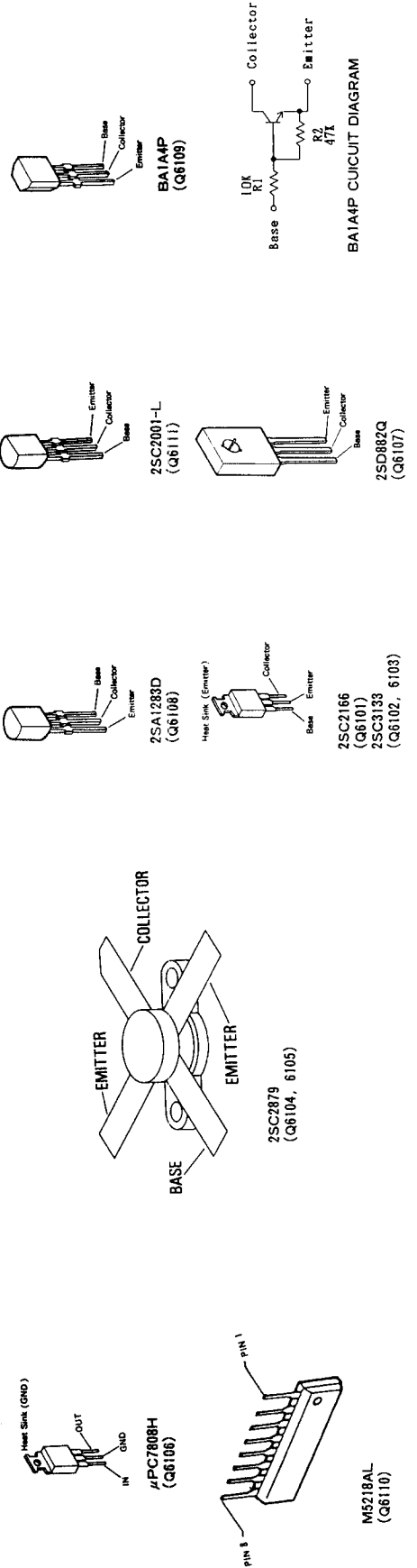
For Service Manuals Contact  
**MAURITRON TECHNICAL SERVICES**  
 8 Cherry Tree Rd, Chinnor  
 Oxon OX9 4QY  
 Tel: 01844-351694 Fax: 01844-352554  
 Email: enquiries@mauritron.co.uk

# 100-W Power Amp (PA) Unit

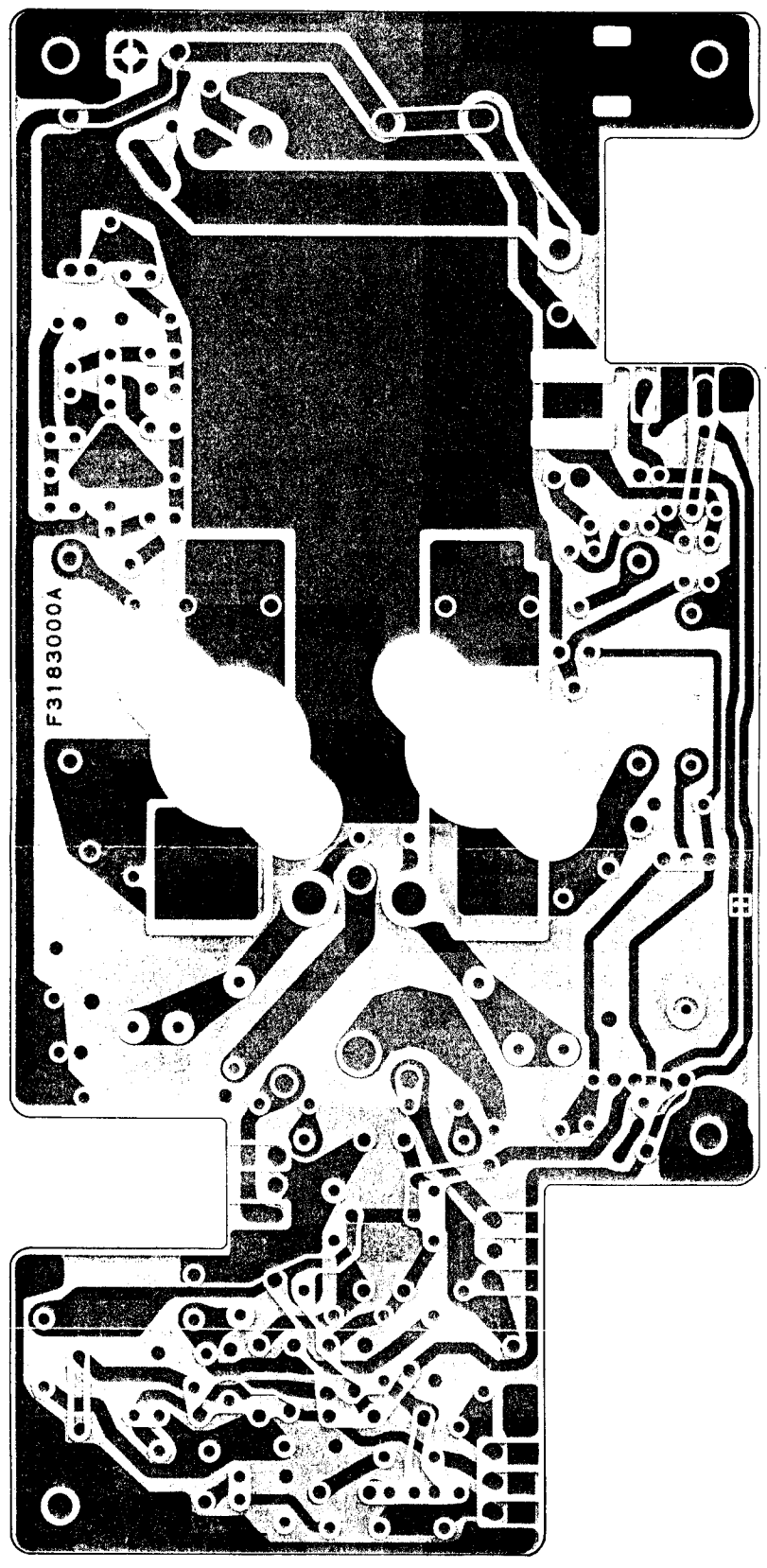
For Service Manuals Contact  
**AURITRON TECHNICAL SERVICES**  
 8 Cherry Tree Rd, Chinnor  
 Oxon OX9 4QY  
 Tel: 01844-351694 Fax: 01844-352554  
 Email: enquiries@auritron.co.uk



("component" side)



100-W Power Amp (PA) Unit



(“solder” side)



# 100-W Power Amp (PA) Unit

REF.	YAESU P/N	DESCRIPTION	MFR'S DESIG	VALUE	WV	TOL.	VERS.
*** 100W PA UNIT ***							
	CS0963001	P.C.B. W COMP.					
	F3183000A	P.C.B. W/O COMP.					
C 6101	K13179009	CERAMIC CAP.	DD110F473Z50	0.047uF	50V		F
C 6102	K13179009	CERAMIC CAP.	DD110F473Z50	0.047uF	50V		F
C 6103	K10176332	CERAMIC CAP.	DD107B332K50	0.0033uF	50V		B
C 6104	K13179009	CERAMIC CAP.	DD110F473Z50	0.047uF	50V		F
C 6107	K13179009	CERAMIC CAP.	DD110F473Z50	0.047uF	50V		F
C 6109	K13179008	CERAMIC CAP.	DD106F103Z50	0.01uF	50V		F
C 6110	K00175471	CERAMIC CAP.	DD109SL471J50	470pF	50V		SL
C 6111	K13179009	CERAMIC CAP.	DD110F473Z50	0.047uF	50V		F
C 6112	K13179009	CERAMIC CAP.	DD110F473Z50	0.047uF	50V		F
C 6116	K10179014	CERAMIC CAP.	CD050XB102K50	0.001uF	50V		XB
C 6117	K10276682	CERAMIC CAP.	CD130XB682K500	0.0068uF	500V		XB
C 6118	K10276682	CERAMIC CAP.	CD130XB682K500	0.0068uF	500V		XB
C 6119	K13179009	CERAMIC CAP.	DD110F473Z50	0.047uF	50V		F
C 6121	K13179009	CERAMIC CAP.	DD110F473Z50	0.047uF	50V		F
C 6123	K00275221	CERAMIC CAP.	DD12SL221J500	220pF	500V		SL
C 6124	K00275221	CERAMIC CAP.	DD12SL221J500	220pF	500V		SL
C 6125	K30279095	MICA CAP.	DM19D122J5	0.0012	500V		
C 6127	K13179009	CERAMIC CAP.	DD110F473Z50	0.047uF	50V		F
C 6128	K40129004	AL. ELECTRO. CAP.	RE-16V100M	10uF	16V		
C 6129	K13179009	CERAMIC CAP.	DD110F473Z50	0.047uF	50V		F
C 6130	K40129004	AL. ELECTRO. CAP.	RE-16V100M	10uF	16V		
C 6131	K13179009	CERAMIC CAP.	DD110F473Z50	0.047uF	50V		F
C 6132	K40129004	AL. ELECTRO. CAP.	RE-16V100M	10uF	16V		
C 6133	K40129021	AL. ELECTRO. CAP.	16R102S 13X16	1000uF	16V		
C 6134	K19149025	CERAMIC CAP.	UAT10X104K-L45AE	0.1uF	25V		X
C 6135	K40129004	AL. ELECTRO. CAP.	RE-16V100M	10uF	16V		
C 6136	K13179009	CERAMIC CAP.	DD110F473Z50	0.047uF	50V		F
C 6137	K13179009	CERAMIC CAP.	DD110F473Z50	0.047uF	50V		F
C 6138	K40129004	AL. ELECTRO. CAP.	RE-16V100M	10uF	16V		
C 6139	K40179013	AL. ELECTRO. CAP.	RE-50V010M	1uF	50V		
C 6140	K40179013	AL. ELECTRO. CAP.	RE-50V010M	1uF	50V		
C 6141	K13179009	CERAMIC CAP.	DD110F473Z50	0.047uF	50V		F
C 6142	K13179009	CERAMIC CAP.	DD110F473Z50	0.047uF	50V		F
C 6143	K13179009	CERAMIC CAP.	DD110F473Z50	0.047uF	50V		F
C 6145	K13179008	CERAMIC CAP.	DD106F103Z50	0.01uF	50V		F
C 6146	K50170001	FILM CAP.	ECQ-M1H104KZ	0.1	50V		
C 6152	K02175470	CERAMIC CAP.	DD106CH470J50	47pF	50V		CH
C 6153	K10179025	CERAMIC CAP.	CK45B1H472MYS	0.0047uF	50V		B
C 6154	K10179025	CERAMIC CAP.	CK45B1H472MYS	0.0047uF	50V		B
C 6155	K30276331	MICA CAP.	LCQ17331K5	330pF	500V		
D 6102	G2090499	DIODE	11ES1				
D 6103	G2090499	DIODE	11ES1				
D 6104	G2090499	DIODE	11ES1				
D 6105	G2090499	DIODE	11ES1				
J 6101	P1090255	CONNECTOR	TMP-J01X-A2				
J 6102	P1090255	CONNECTOR	TMP-J01X-A2				
J 6103	P0090621	CONNECTOR	SC25-02WS				

# 100-W Power Amp (PA) Unit

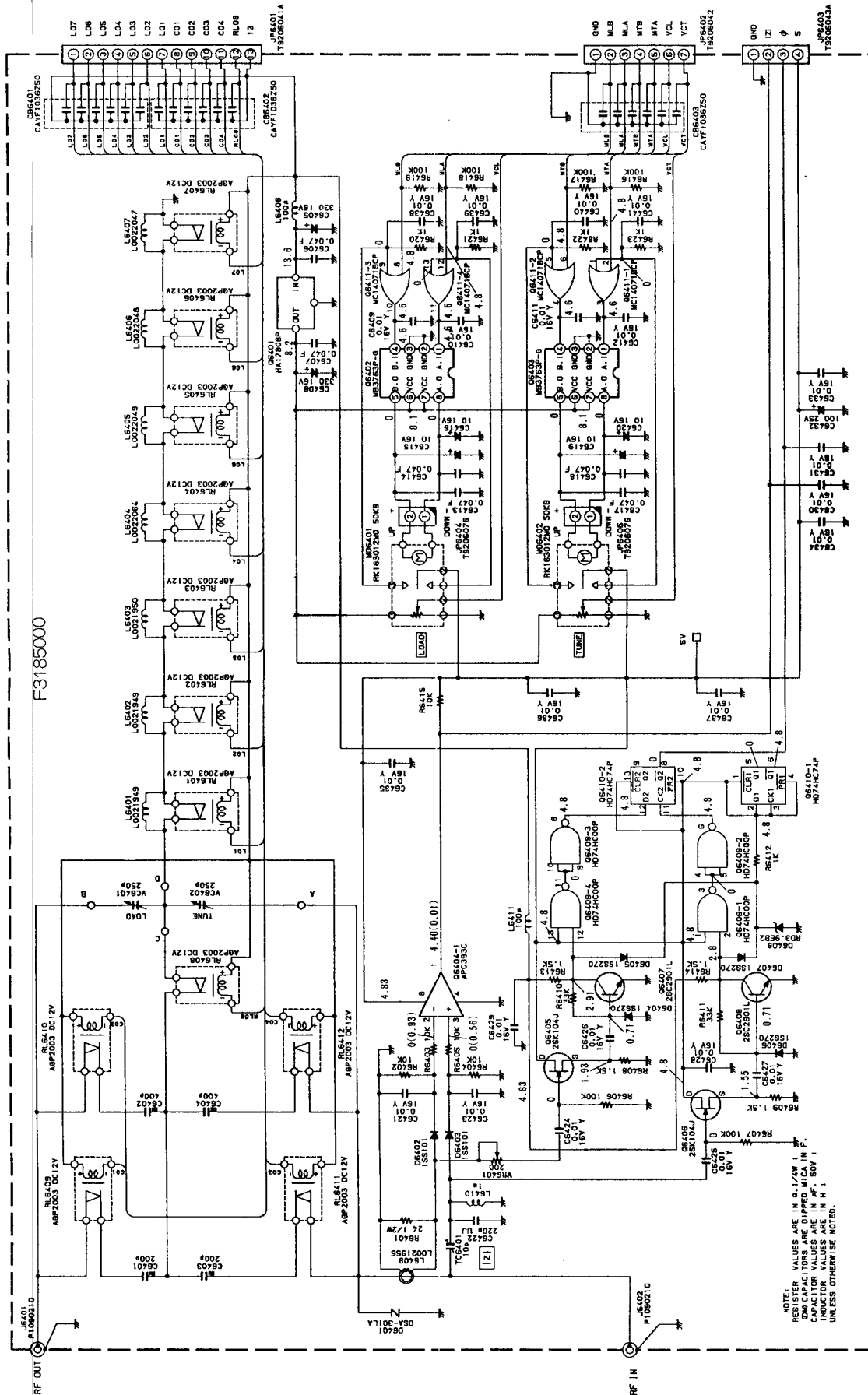
REF.	YAESU P/N	DESCRIPTION	MFGR'S DESIG	VALUE	WV	TOL.	VERS.
J 6105	R0100970	TERMINAL					
J 6106	R0100970	TERMINAL					
JP6101	T9206073	WIRE-ASSY					
L 6101	L1790130	M. RFC	LAL03VB1R5M	1.5u			
L 6102	L1020666A	RFC	43T0.16 4X9CB-20				
L 6103	L1020015	RFC	FB-43-5111				
L 6104	L0021432	COIL	41.00U 3A FR9.5-5				
L 6106	L1790147	M. RFC	LAL03VB390K	39uH			
Q 6101	G3321660	TRANSISTOR	2SC2166				
Q 6102	G3090086	TRANSISTOR	2SC3133-21				
Q 6103	G3090086	TRANSISTOR	2SC3133-21				
Q 6104	G3328790	TRANSISTOR	2SC2879				
Q 6105	G3328790	TRANSISTOR	2SC2879				
Q 6106	G1090294	IC	UPC7808H				
Q 6107	G3408820Q	TRANSISTOR	2SD882Q				
Q 6108	G3112830D	TRANSISTOR	2SA1283D				
Q 6109	G3090079	TRANSISTOR	BA1A4P				
Q 6110	G1091140	IC	M5218AL				
Q 6111	G3320010L	TRANSISTOR	2SC2001-L				
R 6102	J02225122	CARBON FILM RES.	RD16UJ122	1.2K	1/6W		
R 6103	J02225331	CARBON FILM RES.	RD16UJ331	330	1/6W		
R 6104	J02225680	CARBON FILM RES.	RD16UJ680	68	1/6W		
R 6105	J02245279	CARBON FILM RES.	RD14SJ2R7	2.7	1/4W		
R 6107	J01275240	CARBON FILM RES.	RD12TJ240	24	1/2W		
R 6108	J01275240	CARBON FILM RES.	RD12TJ240	24	1/2W		
R 6109	J20306820	METAL FILM RES.	RS1B 1W K	82	1W		
R 6110	J20306820	METAL FILM RES.	RS1B 1W K	82	1W		
R 6111	J20306339	METAL FILM RES.	RS1B 1W K	3.3	1W		
R 6112	J20306339	METAL FILM RES.	RS1B 1W K	3.3	1W		
R 6113	J20306339	METAL FILM RES.	RS1B 1W K	3.3	1W		
R 6114	J20306339	METAL FILM RES.	RS1B 1W K	3.3	1W		
R 6115	J01275180	CARBON FILM RES.	RD12TJ180	18	1/2W		
R 6116	J01275180	CARBON FILM RES.	RD12TJ180	18	1/2W		
R 6117	J22359001	METAL FILM RES.	ERG-3SJ390	39	3W		
R 6118	J22359001	METAL FILM RES.	ERG-3SJ390	39	3W		
R 6119	J21339004	METAL FILM RES.	ERG-2SJ680	68	2W		
R 6120	J20306569	METAL FILM RES.	RS1B 1W K	5.6	1W		
R 6121	J02225221	CARBON FILM RES.	RD16UJ221	220	1/6W		
R 6122	J02245102	CARBON FILM RES.	RD14SJ102	1K	1/4W		
R 6123	J02225103	CARBON FILM RES.	RD16UJ103	10K	1/6W		
R 6126	J02225123	CARBON FILM RES.	RD16UJ123	12K	1/6W		
R 6127	J02225103	CARBON FILM RES.	RD16UJ103	10K	1/6W		
R 6128	J02225103	CARBON FILM RES.	RD16UJ103	10K	1/6W		
R 6129	J02225272	CARBON FILM RES.	RD16UJ272	2.7K	1/6W		
R 6130	J02225103	CARBON FILM RES.	RD16UJ103	10K	1/6W		
R 6131	J02225474	CARBON FILM RES.	RD16UJ474	470K	1/6W		
R 6132	J02225472	CARBON FILM RES.	RD16UJ472	4.7K	1/6W		
R 6133	J02225102	CARBON FILM RES.	RD16UJ102	1K	1/6W		
R 6135	J02225471	CARBON FILM RES.	RD16UJ471	470	1/6W		
R 6137	J01275159	CARBON FILM RES.	RD12TJ1R5	1.5	1/2W		
R 6138	J01275159	CARBON FILM RES.	RD12TJ1R5	1.5	1/2W		

For Service Manuals Contact  
**MAURITRON TECHNICAL SERVICES**  
 8 Cherry Tree Rd, Chinnor  
 Oxon OX9 4QY  
 Tel: 01844-351694 Fax: 01844-352554  
 Email: enquiries@mauritron.co.uk

# 100-W Power Amp (PA) Unit

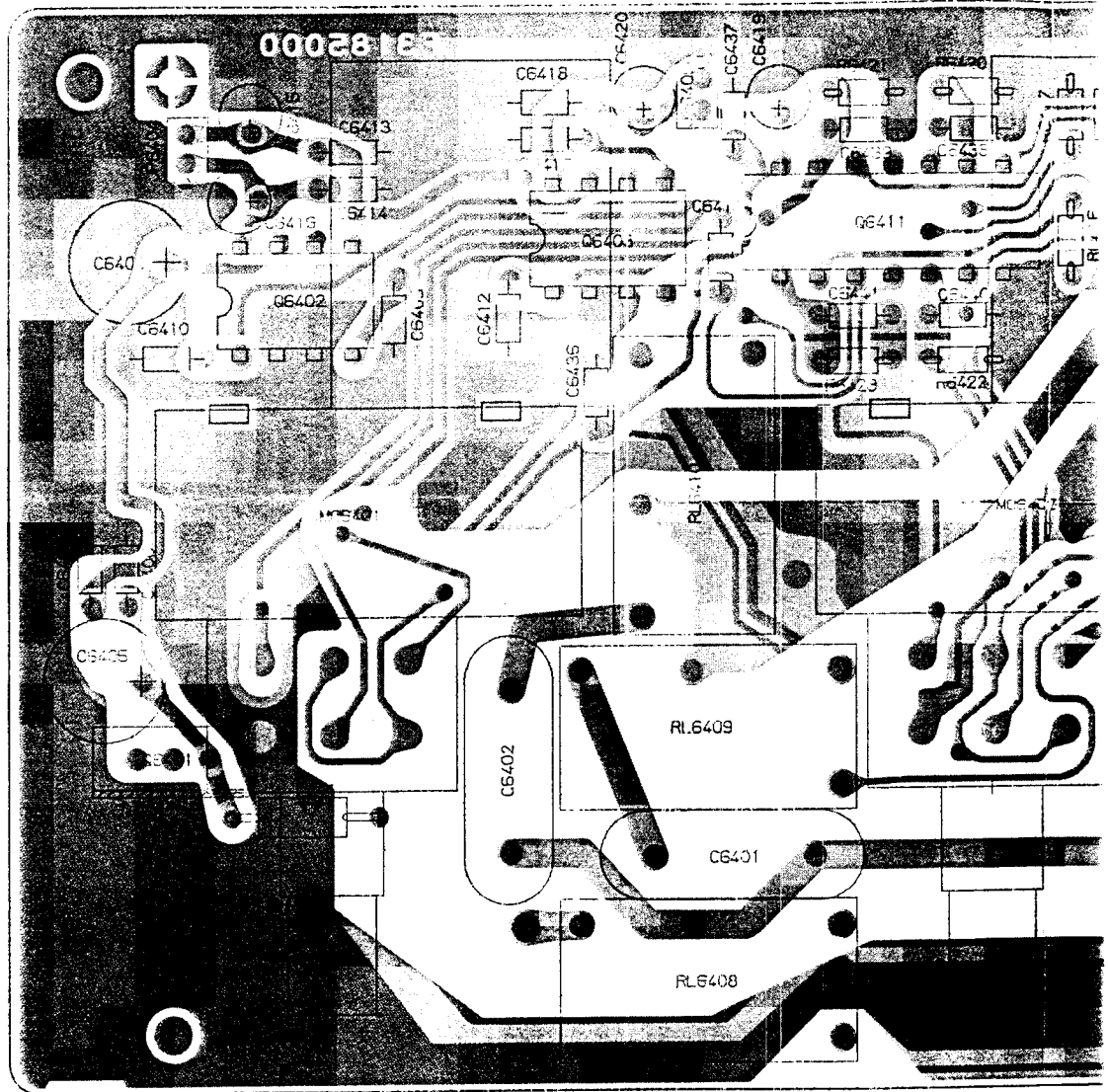
REF.	YAESU P/N	DESCRIPTION	MFR'S DESIG	VALUE	WV	TOL.	VERS.
T 6101	L0021351	COIL	4-1 2001F FR6				
T 6102	L0021969	COIL	- 3A6 RIB3X7				
T 6103	L0021970	COIL	D12A RIB10X				
T 6104	L0021404	COIL	D12A RIB16				
TH6101	G9090011	THERMISTOR	SDT1000				
TP6101	Q5000011	WRAPPING TERMINAL	C				
TP6102	Q5000011	WRAPPING TERMINAL	C				
TP6104	Q5000011	WRAPPING TERMINAL	C				
VR6101	J51745331	POT.	H0651A004-330B	330		B	
	R0103760	TR HEATSINK					

# Tuner Main Unit

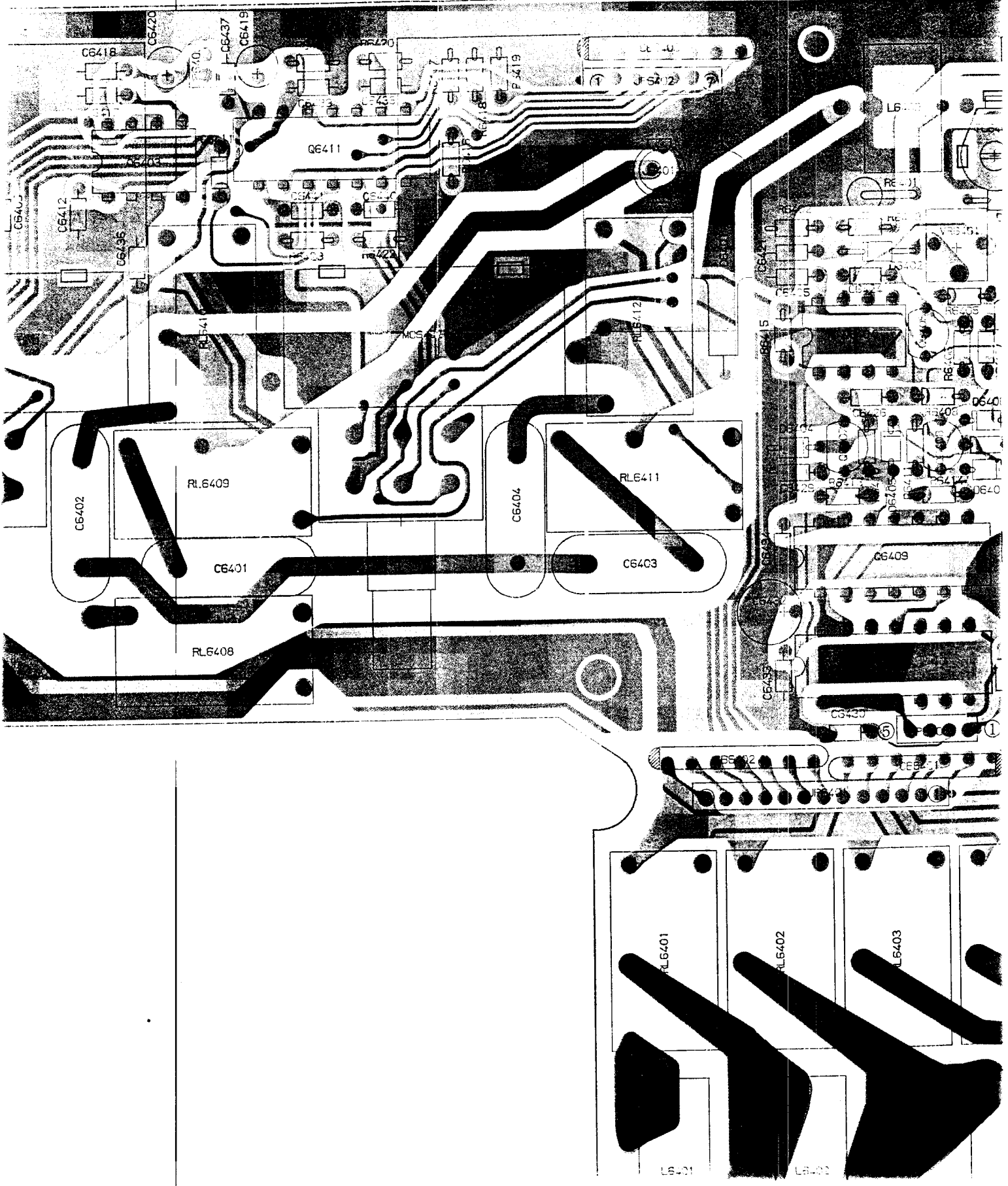


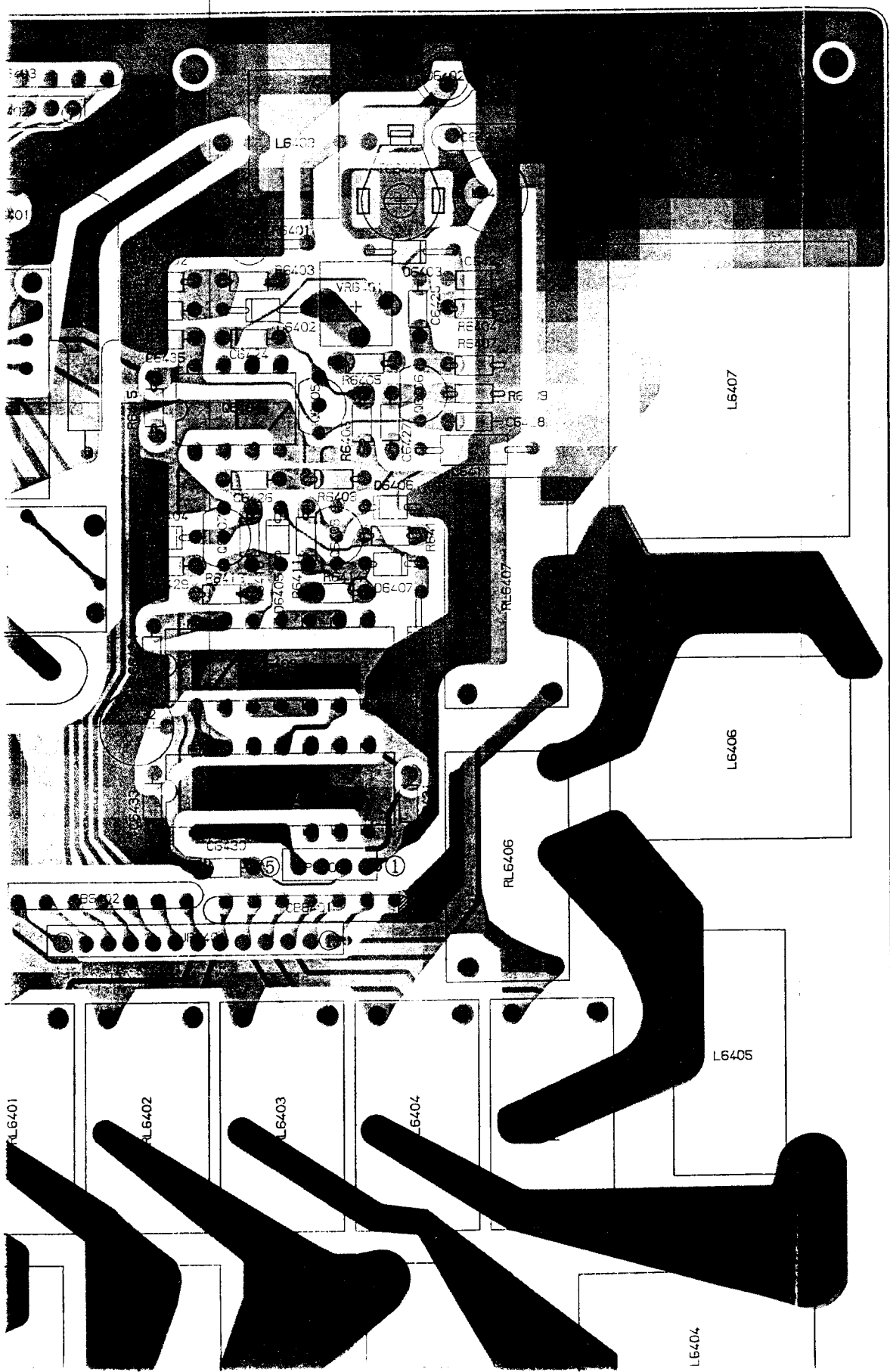
NOTE: VALUES ARE IN Ω, K, M, & μ. CAPACITOR VALUES ARE IN PFD, MICA, IN P. INDUCTOR VALUES ARE IN H, UNLESS OTHERWISE NOTED.

TUNER Off (On, after tuning) DC Voltage  
 Measuring Conditions  
 Frequency: 14.200MHz  
 Mode: CW



For Service Manuals Contact  
MAURITRON TECHNICAL SERVICES  
8 Cherry Tree Rd, Chinnor  
Oxon OX9 4QY  
Tel:- 01844-351694 Fax:- 01844-352554  
Email:- enquiries@mauritron.co.uk





401

L6403

R6401

R6403

R6402

R6405

R6403

R6406

R6408

R6411

R6409

R6410

R6412

R6413

R6414

R6415

R6416

R6417

R6418

R6419

R6420

R6421

R6422

R6423

R6424

VR6401

U6403

U6402

U6401

U6406

U6405

U6407

U6404

U6408

U6409

U6410

U6411

U6412

U6413

U6414

U6415

U6416

U6417

U6418

U6419

U6420

U6421

U6422

U6423

U6424

RL6407

RL6406

L6407

L6405

L6405

L6404

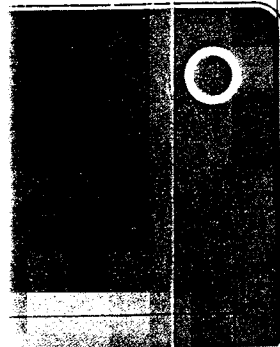
RL6401

RL6402

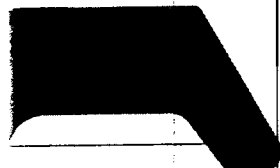
RL6403

RL6404

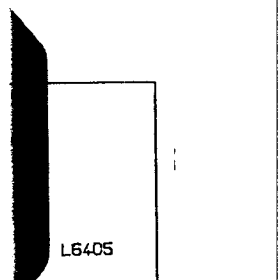
L6404



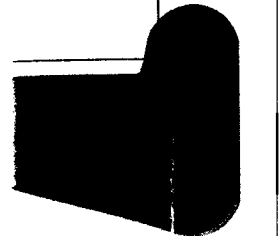
L6407



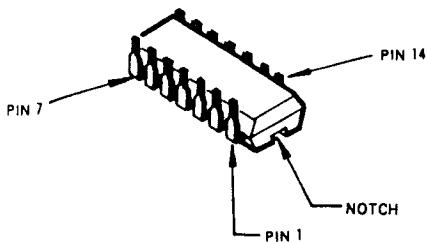
L6406



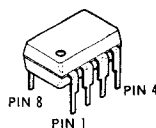
L6405



L6404

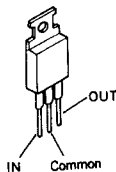


HD74HC00P  
(Q6409)  
HD74HC74P  
(Q6410)  
MC14071BCP  
(Q6411)

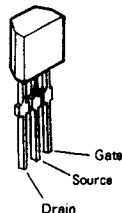


MB3763  
(Q6402, 6403)  
 $\mu$ PC393C  
(Q6404)

For Service Manuals Contact  
**MAURITRON TECHNICAL SERVICES**  
8 Cherry Tree Rd, Chinnor  
Oxon OX9 4QY  
Tel:- 01844-351694 Fax:- 01844-352554  
Email:- enquiries@mauritron.co.uk

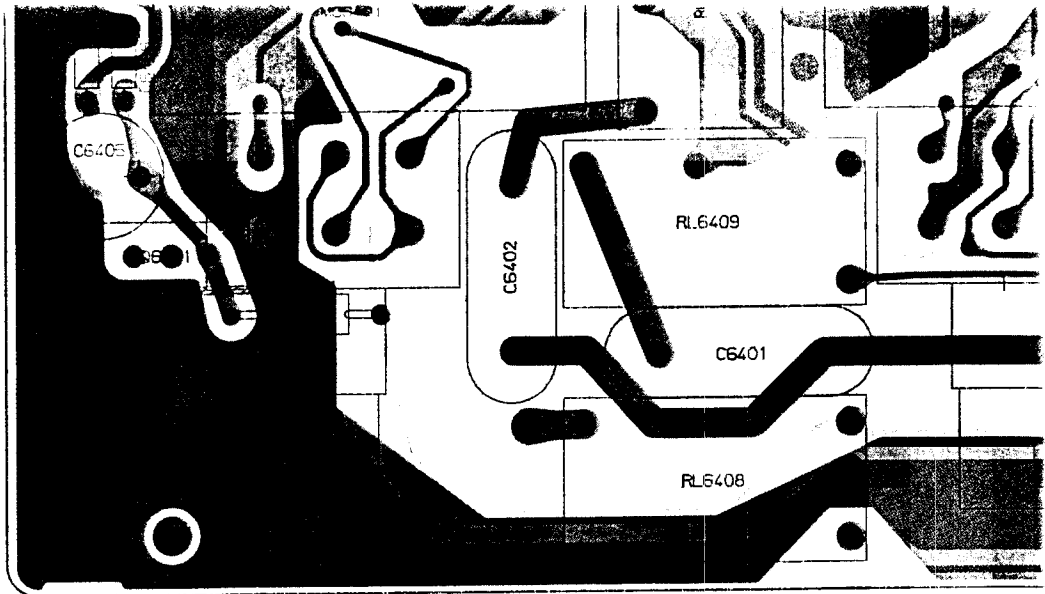


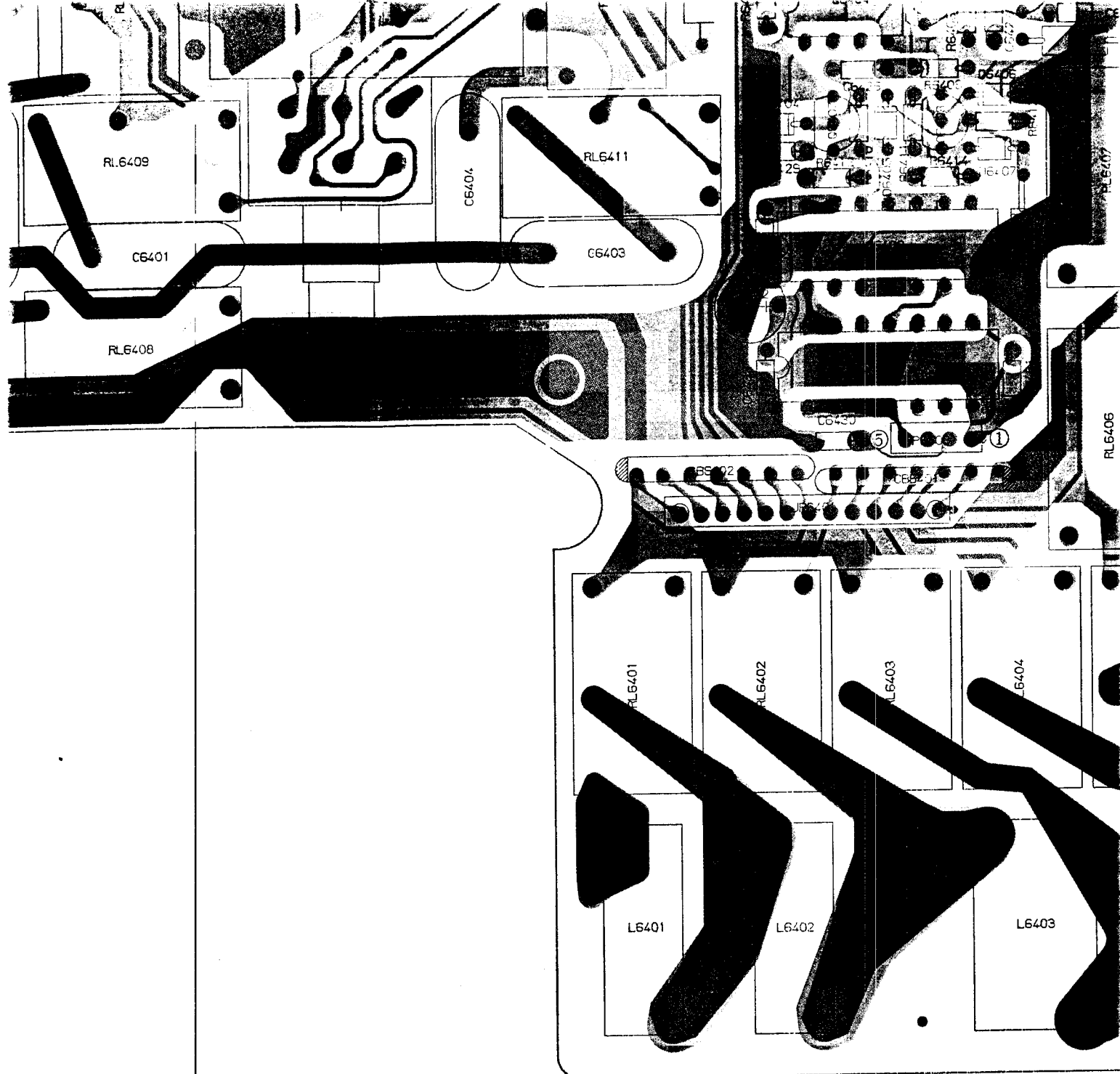
HA17808P  
(Q6401)



2SK104J  
(Q6405, 6406)







RL6409

RL6411

C6404

C6401

C6403

RL6408

C6405

RL6407

RL6406

BS402

C6402

RL6401

RL6402

RL6403

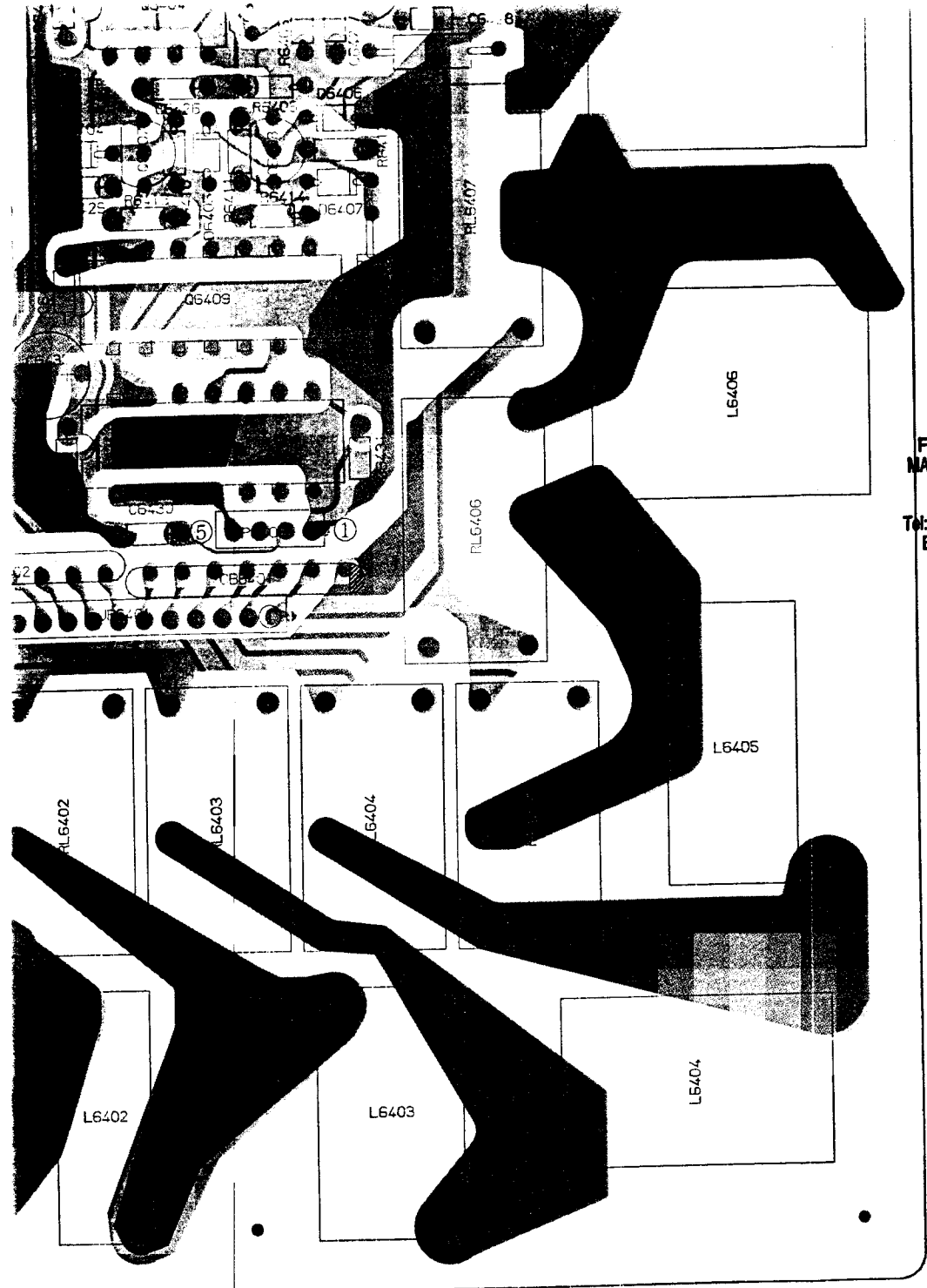
RL6404

L6401

L6402

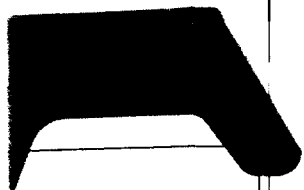
L6403

RL6406

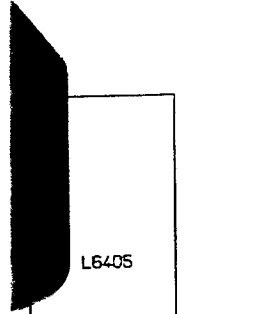


For Service Manuals Contact  
**MAURITRON TECHNICAL SERVICES**  
 8 Cherry Tree Rd, Chinnor  
 Oxon OX9 4QY  
 Tel:- 01844-351694 Fax:- 01844-352554  
 Email:- enquiries@mauritron.co.uk

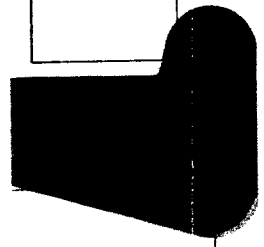
(“component” side)



L6406

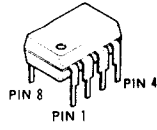


L6405

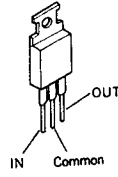


L6404

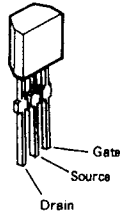
(“component” side)



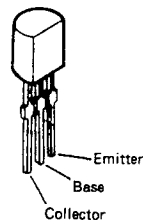
MB3763  
(Q6402, 6403)  
 $\mu$ PC393C  
(Q6404)



HA17808P  
(Q6401)



2SK104J  
(Q6405, 6406)

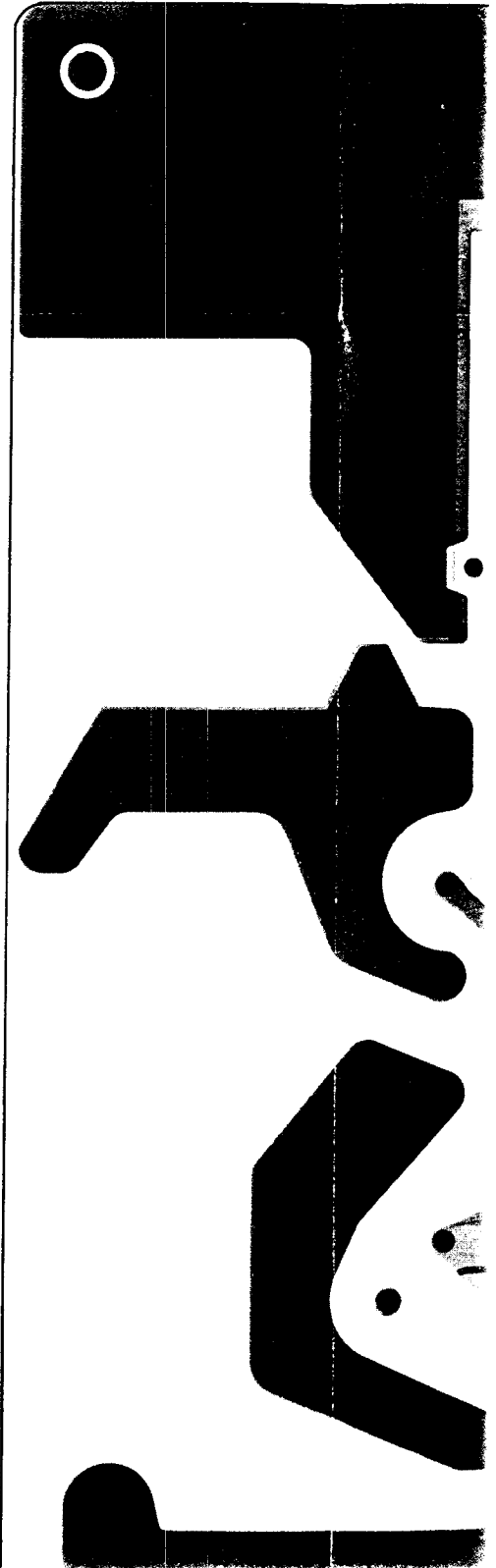


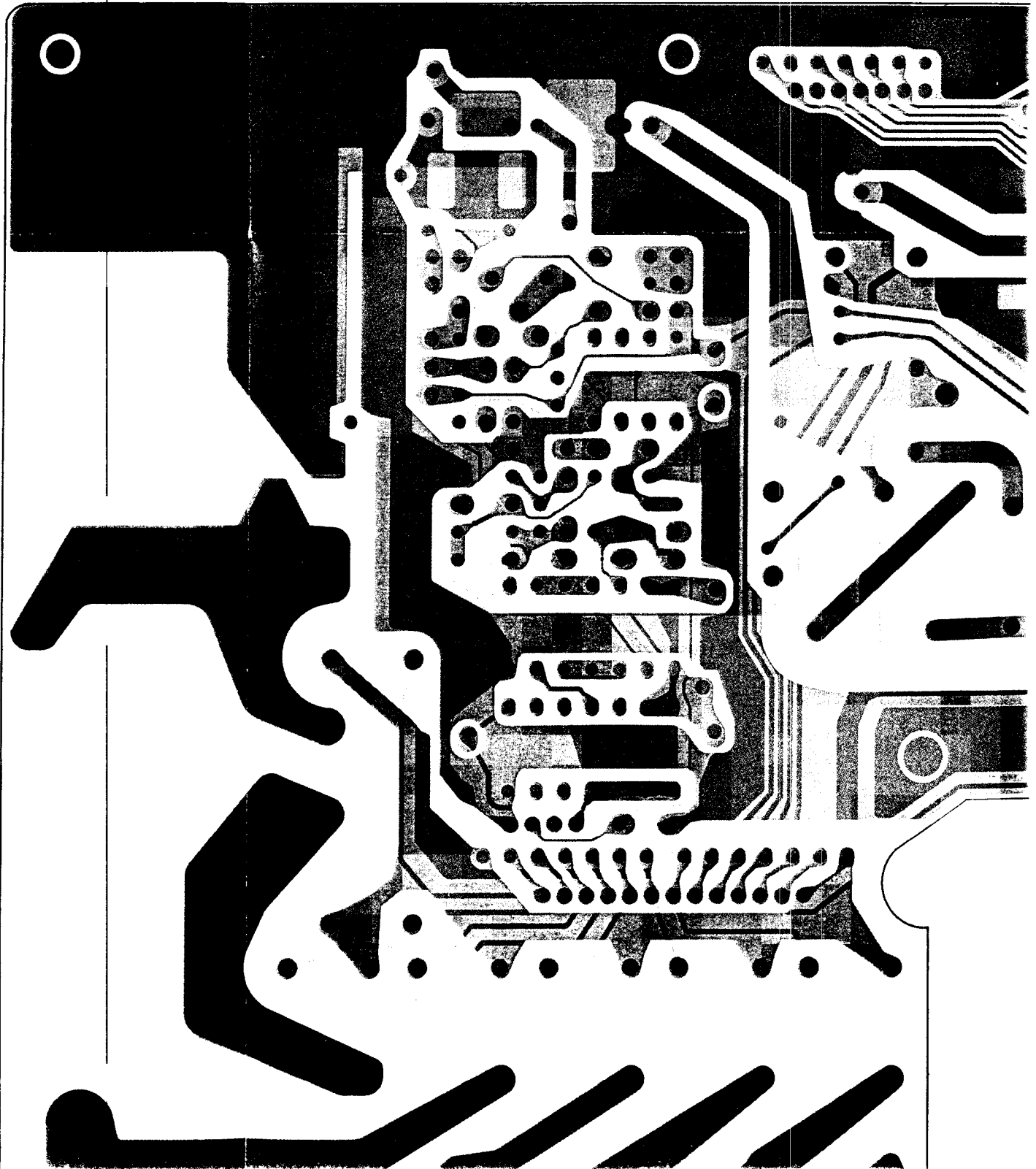
2SC2901L  
(Q6407, 6408)

# Tuner Main Unit

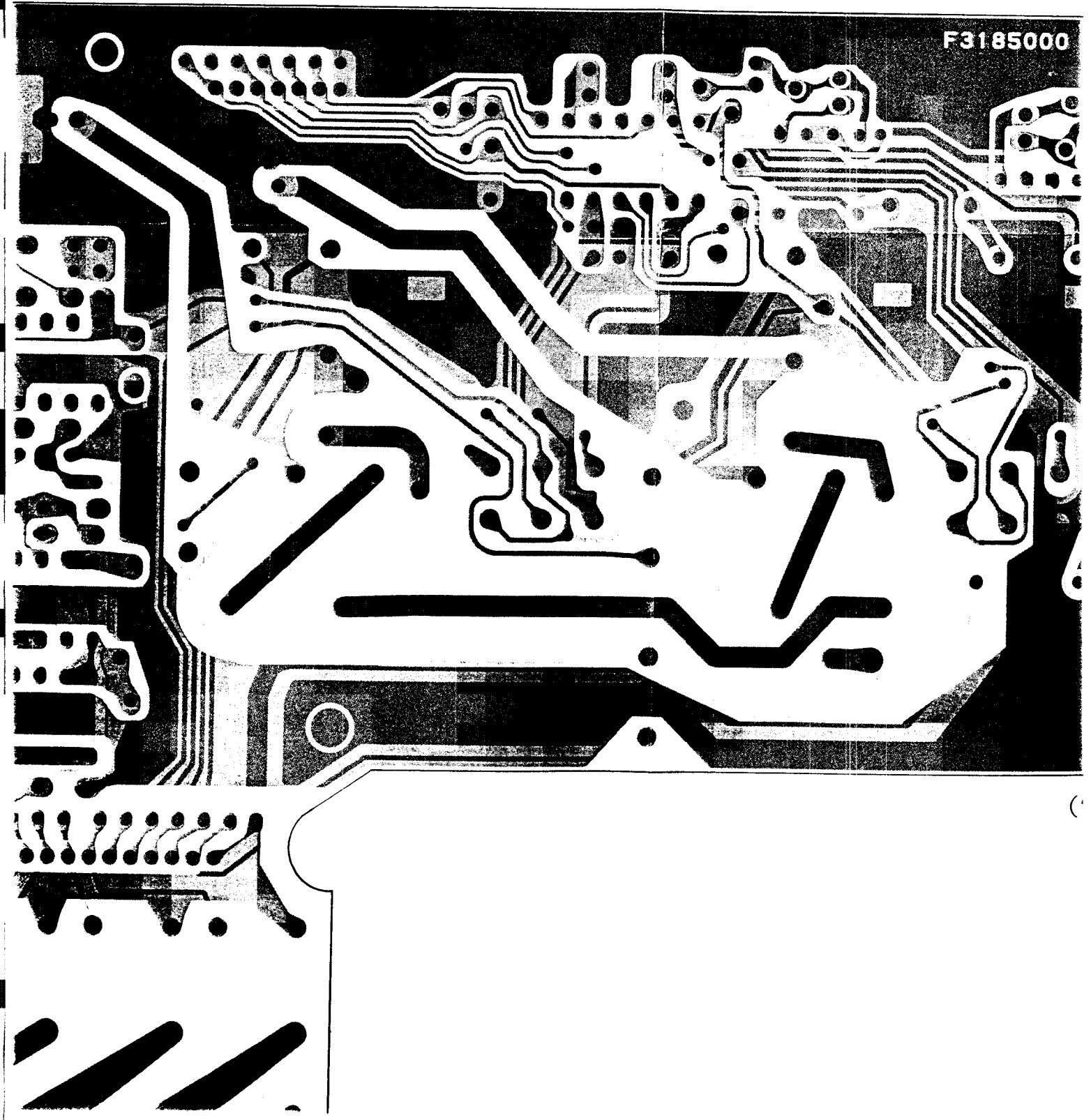
---

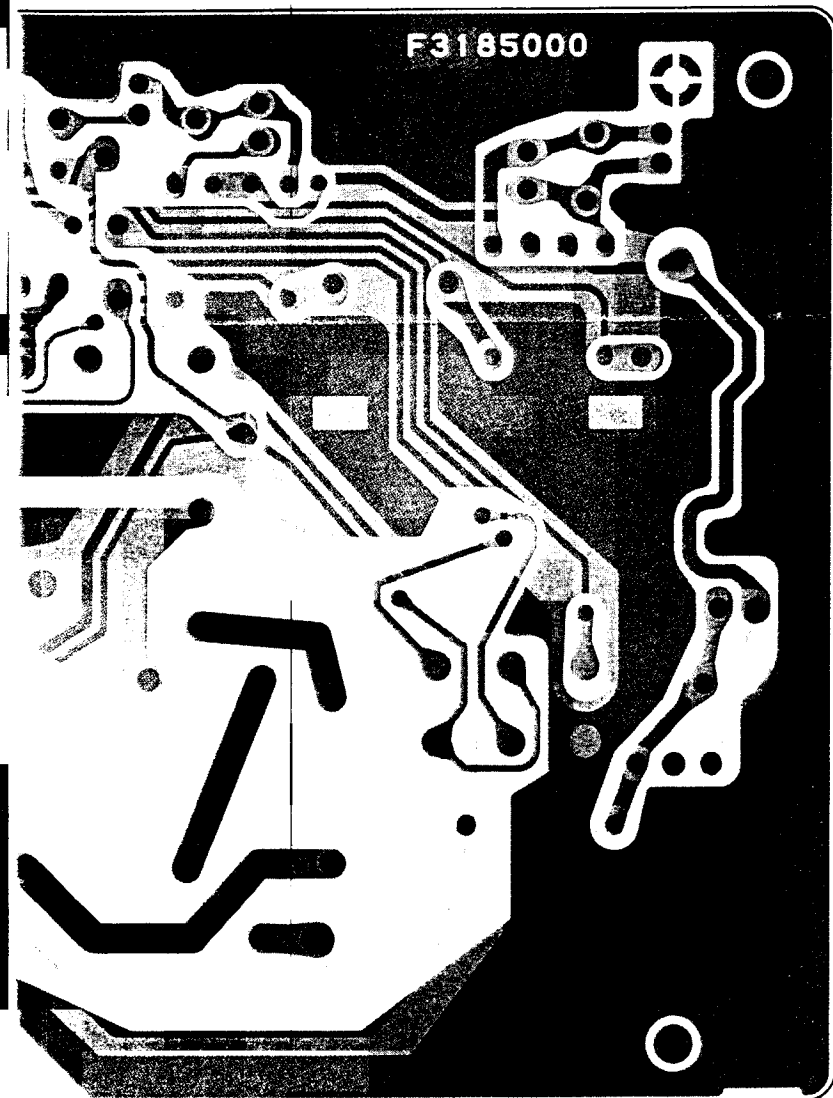
For Service Manuals Contact  
MAURITRON TECHNICAL SERVICES  
8 Cherry Tree Rd, Chinnor  
Oxon OX9 4QY  
Tel:- 01844-351694 Fax:- 01844-352554  
Email:- enquiries@mauritron.co.uk





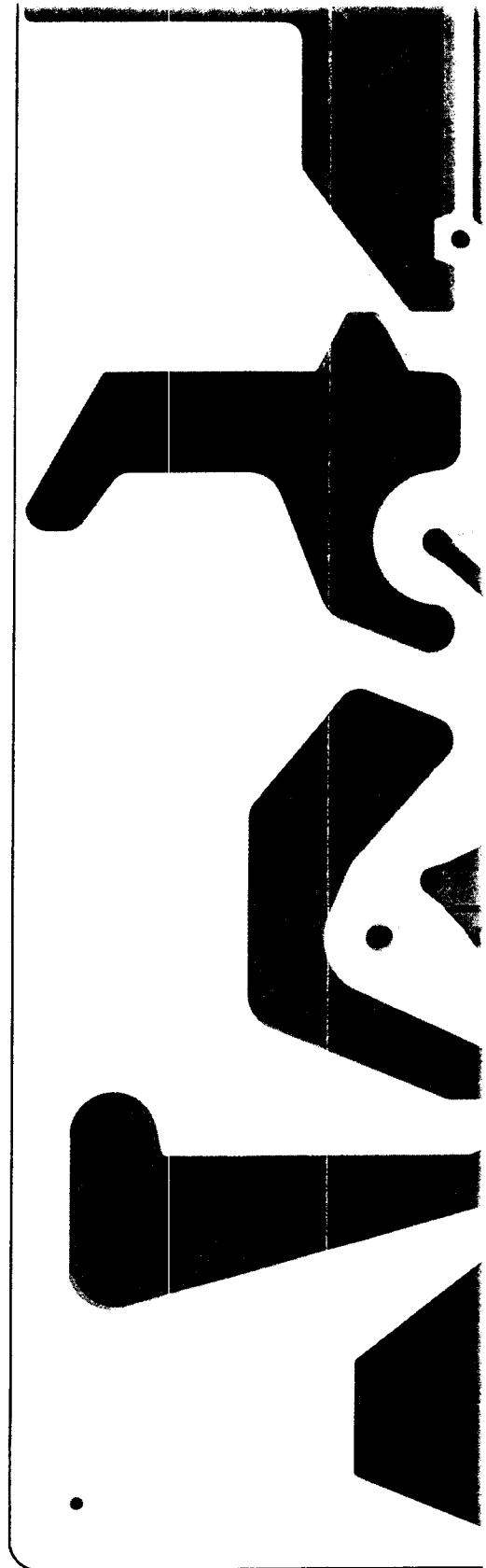
F3185000

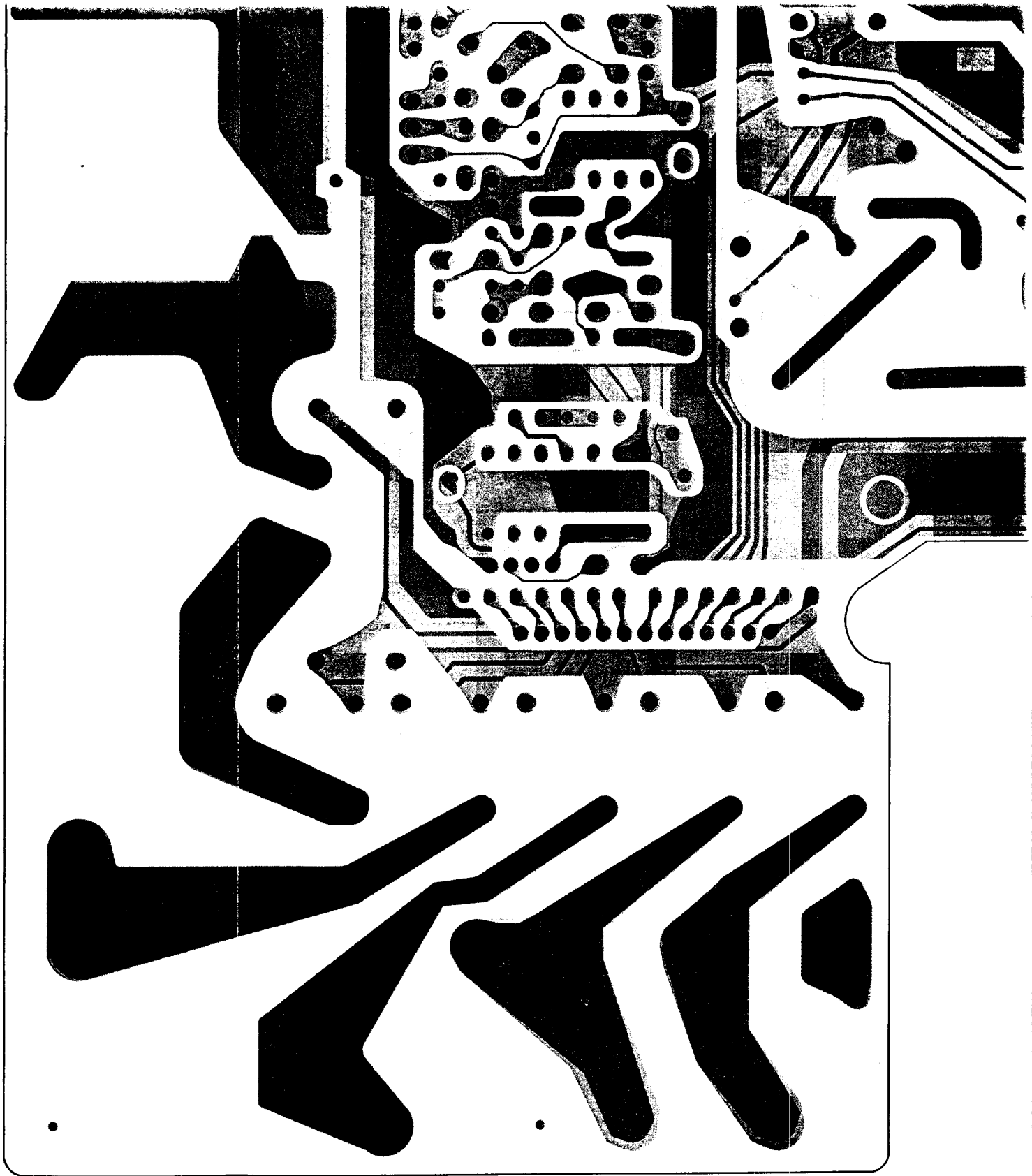


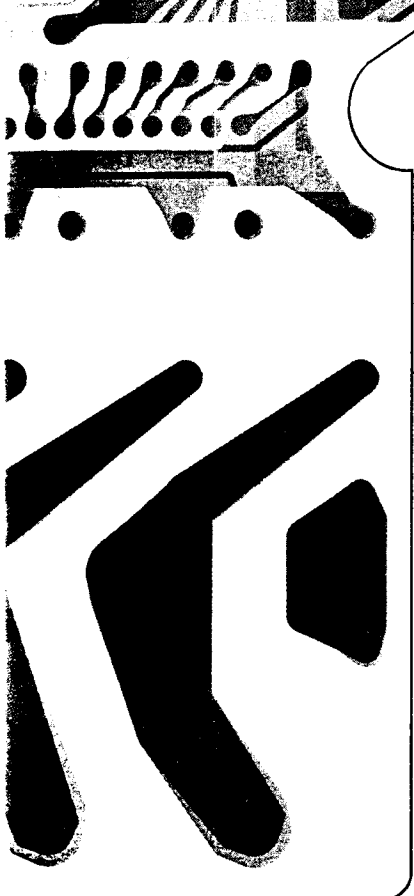
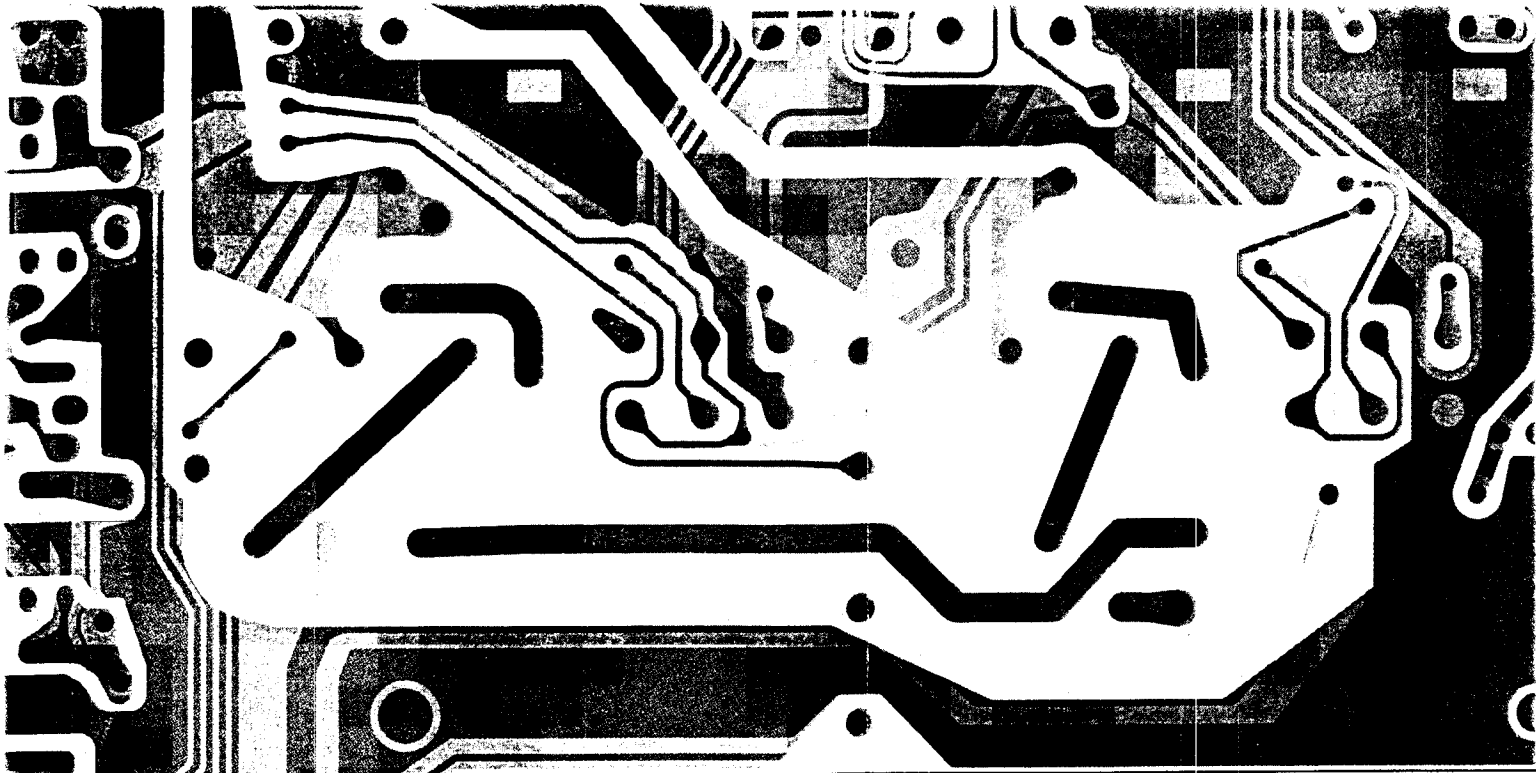


(“solder” side)



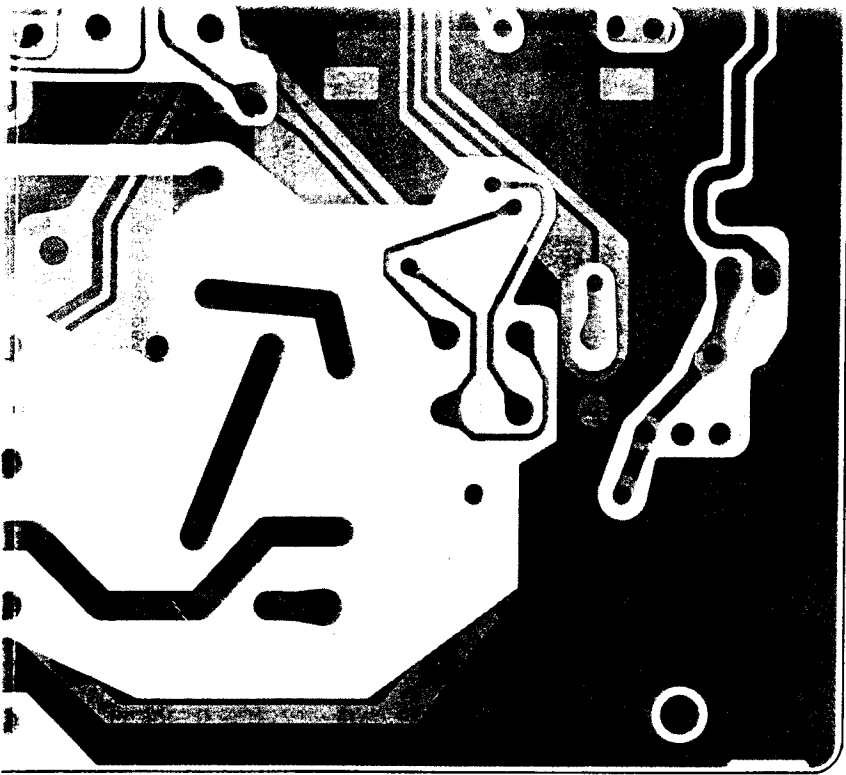






(“sol

For Service Manuals Contact  
MAURITRON TECHNICAL SERVICES  
8 Cherry Tree Rd, Chinnor  
Oxon OX9 4QY  
Tel:- 01844-351694 Fax:- 01844-352554  
Email:- enquiries@mauritron.co.uk



(“solder” side)

# Tuner Main Unit

REF.	YAESU P/N	DESCRIPTION	MFGR'S DESIG	VALUE	VV	TOL.	VERS.
*** TUNER MAIN UNIT ***							
	CA0232001	P.C.B. W COMP.					
	F3185000	P.C.B. W/O COMP.					
C 6401	K30355201	MICA CAP	DML4 201J30	200pF	3KV		
C 6402	K30355401	MICA CAP	DML4 401J30	400pF	3KV		
C 6403	K30355201	MICA CAP	DML4 201J30	200pF	3KV		
C 6404	K30355401	MICA CAP	DML4 401J30	400pF	3KV		
C 6405	K46120002	AL. ELECTRO. CAP.	16V331M8X11TR5	330uF	16V		
C 6406	K28179002	CERAMIC CAP.	UP050F473Z-A-B	0.047uF	50V	F	
C 6407	K28179002	CERAMIC CAP.	UP050F473Z-A-B	0.047uF	50V	F	
C 6408	K46120002	AL. ELECTRO. CAP.	16V331M8X11TR5	330uF	16V		
C 6409	K28129001	CERAMIC CAP.	EPO50Y103N-A	0.01uF	16V	Y	
C 6410	K28129001	CERAMIC CAP.	EPO50Y103N-A	0.01uF	16V	Y	
C 6411	K28129001	CERAMIC CAP.	EPO50Y103N-A	0.01uF	16V	Y	
C 6412	K28129001	CERAMIC CAP.	EPO50Y103N-A	0.01uF	16V	Y	
C 6413	K28179002	CERAMIC CAP.	UP050F473Z-A-B	0.047uF	50V	F	
C 6414	K28179002	CERAMIC CAP.	UP050F473Z-A-B	0.047uF	50V	F	
C 6415	K46120004	AL. ELECTRO. CAP.	16V100M4X7TR2	10uF	16V		
C 6416	K46120004	AL. ELECTRO. CAP.	16V100M4X7TR2	10uF	16V		
C 6417	K28179002	CERAMIC CAP.	UP050F473Z-A-B	0.047uF	50V	F	
C 6418	K28179002	CERAMIC CAP.	UP050F473Z-A-B	0.047uF	50V	F	
C 6419	K46120004	AL. ELECTRO. CAP.	16V100M4X7TR2	10uF	16V		
C 6420	K46120004	AL. ELECTRO. CAP.	16V100M4X7TR2	10uF	16V		
C 6421	K28129001	CERAMIC CAP.	EPO50Y103N-A	0.01uF	16V	Y	
C 6422	K26171224	CERAMIC CAP.	DD109-979UJ221J50	220pF	50V	UJ	
C 6423	K28129001	CERAMIC CAP.	EPO50Y103N-A	0.01uF	16V	Y	
C 6424	K28129001	CERAMIC CAP.	EPO50Y103N-A	0.01uF	16V	Y	
C 6425	K28129001	CERAMIC CAP.	EPO50Y103N-A	0.01uF	16V	Y	
C 6426	K28129001	CERAMIC CAP.	EPO50Y103N-A	0.01uF	16V	Y	
C 6427	K28129001	CERAMIC CAP.	EPO50Y103N-A	0.01uF	16V	Y	
C 6428	K28129001	CERAMIC CAP.	EPO50Y103N-A	0.01uF	16V	Y	
C 6429	K28129001	CERAMIC CAP.	EPO50Y103N-A	0.01uF	16V	Y	
C 6430	K28129001	CERAMIC CAP.	EPO50Y103N-A	0.01uF	16V	Y	
C 6431	K28129001	CERAMIC CAP.	EPO50Y103N-A	0.01uF	16V	Y	
C 6432	K46140005	AL. ELECTRO. CAP.	25V101M6X11TR5	100uF	25V		
C 6433	K28129001	CERAMIC CAP.	EPO50Y103N-A	0.01uF	16V	Y	
C 6434	K28129001	CERAMIC CAP.	EPO50Y103N-A	0.01uF	16V	Y	
C 6435	K28129001	CERAMIC CAP.	EPO50Y103N-A	0.01uF	16V	Y	
C 6436	K28129001	CERAMIC CAP.	EPO50Y103N-A	0.01uF	16V	Y	
C 6437	K28129001	CERAMIC CAP.	EPO50Y103N-A	0.01uF	16V	Y	
C 6438	K28129001	CERAMIC CAP.	EPO50Y103N-A	0.01uF	16V	Y	
C 6439	K28129001	CERAMIC CAP.	EPO50Y103N-A	0.01uF	16V	Y	
C 6440	K28129001	CERAMIC CAP.	EPO50Y103N-A	0.01uF	16V	Y	
C 6441	K28129001	CERAMIC CAP.	EPO50Y103N-A	0.01uF	16V	Y	
CB6401	K80000002	CAPACITOR BLOCK	CAYF1036Z50				
CB6402	K80000002	CAPACITOR BLOCK	CAYF1036Z50				
CB6403	K80000002	CAPACITOR BLOCK	CAYF1036Z50				
D 6401	Q9000371	SURGE ABSORBER	DSA-301LA				
D 6402	G2090223	DIODE	1SS101				
D 6403	G2090223	DIODE	1SS101				

# Tuner Main Unit

REF.	YAESU P/N	DESCRIPTION	MFGR'S DESIG	VALUE	WV	TOL.	VERB.
D 6404	G2090408	DIODE	1SS270				
D 6405	G2090408	DIODE	1SS270				
D 6406	G2090408	DIODE	1SS270				
D 6407	G2090408	DIODE	1SS270				
D 6408	G2090266	DIODE	RD3. 9EB2				
J 6401	P1090210	CONNECTOR	TMP-J01X-V6				
J 6402	P1090210	CONNECTOR	TMP-J01X-V6				
JP6401	T9206041A	WIRE-ASSY					
JP6402	T9206042	WIRE-ASSY					
JP6403	T9206043A	WIRE-ASSY					
JP6404	T9206076	WIRE-ASSY					
JP6405	T9206076	WIRE-ASSY					
L 6401	L0021949	COIL	2. 5T15D2. OPVF R				
L 6402	L0021949	COIL	2. 5T15D2. OPVF R				
L 6403	L0021950	COIL	4. 5T15D2. OPVF R				
L 6404	L0022064	COIL	6. 5T19D2. OPVF R				
L 6405	L0022049	COIL	7. 5T20D1. 2UEW R				
L 6406	L0022048	COIL	12. 5T20D1. 2UEW R				
L 6407	L0022047	COIL	20. 5T20D1. 2UEW R				
L 6408	L1190218	M. RFC	LAL03NA101K	100uH			
L 6409	L0021955	COIL	U 2001F FR9. 5				
L 6410	L1190040	M. RFC	S4-102	1mH			
L 6411	L1190218	M. RFC	LAL03NA101K	100uH			
MO6401	Q9000526	MOTOR POT.	RK16312M0	50K		B	
MO6402	Q9000526	MOTOR POT.	RK16312M0	50K		B	
Q 6401	G1090938	IC	HA17808P				
Q 6402	G1091004	IC	MB3763				
Q 6403	G1091004	IC	MB3763				
Q 6404	G1090536	IC	UPC393C				
Q 6405	G3801040J	FET	2SK104J				
Q 6406	G3801040J	FET	2SK104J				
Q 6407	G3329010L	TRANSISTOR	2SC2901L				
Q 6408	G3329010L	TRANSISTOR	2SC2901L				
Q 6409	G1091007	IC	HD74HC00P				
Q 6410	G1091006	IC	HD74HC74P				
Q 6411	G1090029	IC	MC14071BCP				
R 6401	J00275240	CARBON FILM RES.	RD12VJ240	24		1/2W	
R 6402	J07225103	CARBON FILM RES.	RD16TPJ103	10K		1/6W	
R 6403	J07225103	CARBON FILM RES.	RD16TPJ103	10K		1/6W	
R 6404	J07225103	CARBON FILM RES.	RD16TPJ103	10K		1/6W	
R 6405	J07225103	CARBON FILM RES.	RD16TPJ103	10K		1/6W	
R 6406	J07225104	CARBON FILM RES.	RD16TPJ104	100K		1/6W	
R 6407	J07225104	CARBON FILM RES.	RD16TPJ104	100K		1/6W	
R 6408	J07225152	CARBON FILM RES.	RD16TPJ152	1. 5K		1/6W	
R 6409	J07225152	CARBON FILM RES.	RD16TPJ152	1. 5K		1/6W	
R 6410	J07225333	CARBON FILM RES.	RD16TPJ333	33K		1/6W	
R 6411	J07225333	CARBON FILM RES.	RD16TPJ333	33K		1/6W	
R 6412	J07225102	CARBON FILM RES.	RD16TPJ102	1K		1/6W	
R 6413	J07225152	CARBON FILM RES.	RD16TPJ152	1. 5K		1/6W	

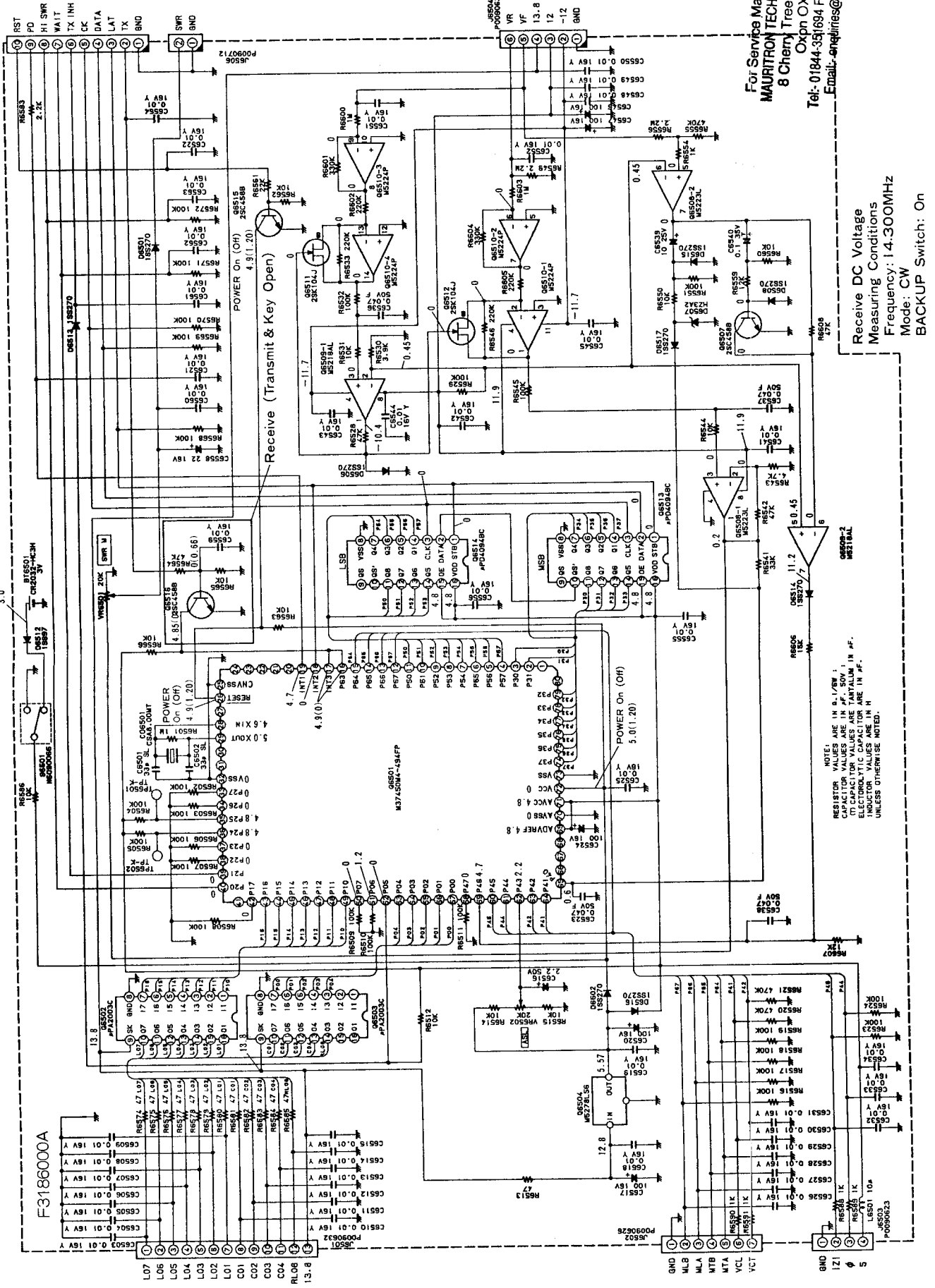
For Service Manuals Contact  
**MAURITRON TECHNICAL SERVICES**  
 8 Cherry Tree Rd, Chinnor  
 Oxon OX9 4QY  
 Tel:- 01844-351694 Fax:- 01844-352554  
 Email:- enquiries@mauritron.co.uk

# Tuner Main Unit

REF.	YAESU P/N	DESCRIPTION	MFGR'S DESIG	VALUE	WV	TOL.	VERS.
R 6414	J07225152	CARBON FILM RES.	RD16TPJ152	1.5K	1/6W		
R 6415	J07225103	CARBON FILM RES.	RD16TPJ103	10K	1/6W		
R 6416	J07225104	CARBON FILM RES.	RD16TPJ104	100K	1/6W		
R 6417	J07225104	CARBON FILM RES.	RD16TPJ104	100K	1/6W		
R 6418	J07225104	CARBON FILM RES.	RD16TPJ104	100K	1/6W		
R 6419	J07225104	CARBON FILM RES.	RD16TPJ104	100K	1/6W		
R 6420	J07225102	CARBON FILM RES.	RD16TPJ102	1K	1/6W		
R 6421	J07225102	CARBON FILM RES.	RD16TPJ102	1K	1/6W		
R 6422	J07225102	CARBON FILM RES.	RD16TPJ102	1K	1/6W		
R 6423	J07225102	CARBON FILM RES.	RD16TPJ102	1K	1/6W		
RL6401	M1190075	RELAY	AGP2003				DC12V
RL6402	M1190075	RELAY	AGP2003				DC12V
RL6403	M1190075	RELAY	AGP2003				DC12V
RL6404	M1190075	RELAY	AGP2003				DC12V
RL6405	M1190075	RELAY	AGP2003				DC12V
RL6406	M1190075	RELAY	AGP2003				DC12V
RL6407	M1190075	RELAY	AGP2003				DC12V
RL6408	M1190075	RELAY	AGP2003				DC12V
RL6409	M1190075	RELAY	AGP2003				DC12V
RL6410	M1190075	RELAY	AGP2003				DC12V
RL6411	M1190075	RELAY	AGP2003				DC12V
RL6412	M1190075	RELAY	AGP2003				DC12V
TC6401	K91000012	TRIMMER CAP.	ECV1ZW10X32	10pF			
VC6401	K90000048	TRIMMER CAP.	YV-250-05	250pF			
VC6402	K90000048	TRIMMER CAP.	YV-250-05	250pF			
VR6401	J51783201	POT.	EVN-DXAA03B22	200			

# Tuner Control Unit

PO8907.17



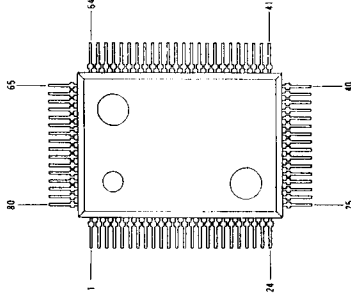
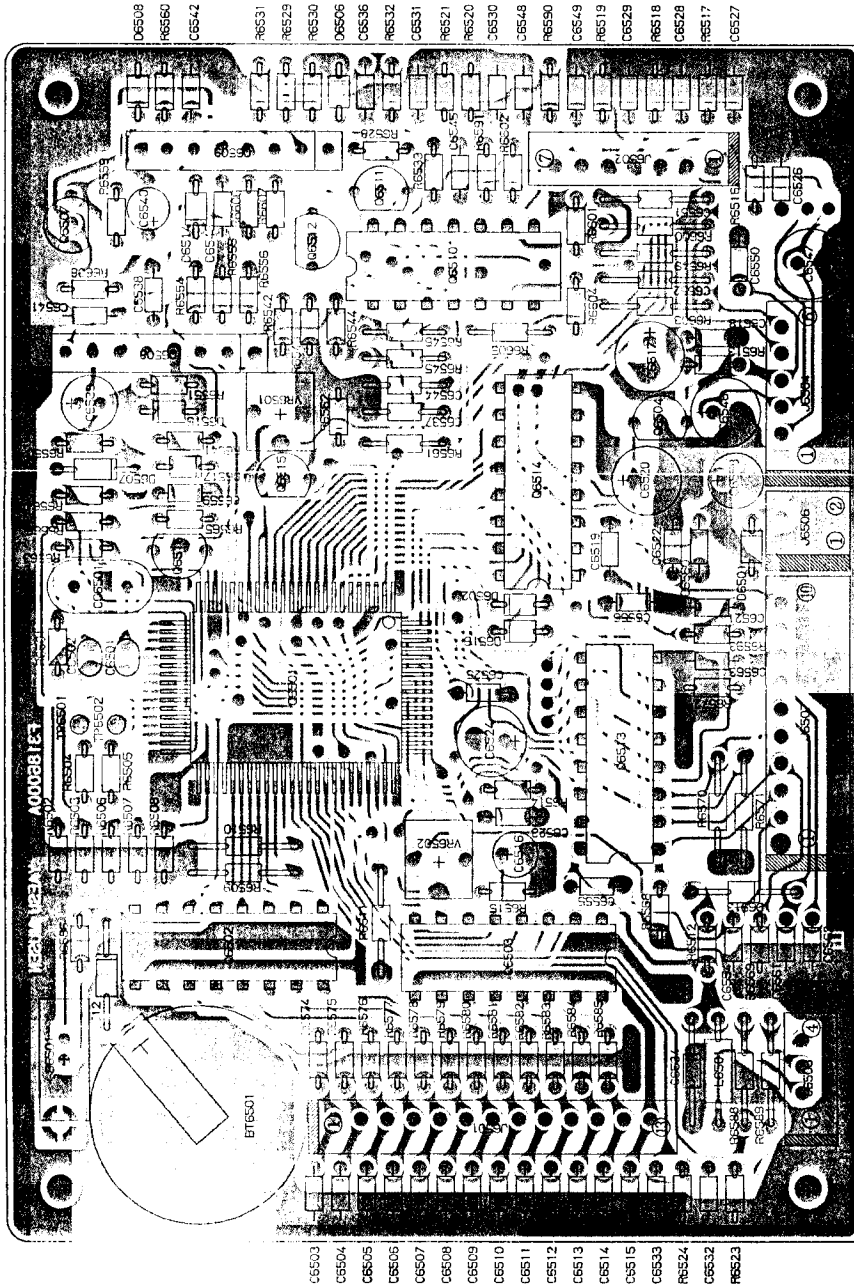
For Service Manuals Contact  
**MAURITRON TECHNICAL SERVICES**  
 8 Cherry Tree Rd, Chimlipo  
 Oxon OX9 4QY  
 Tel: 01844-331694 Fax: 01844-352554  
 Email: enquiries@maurtron.co.uk

Receive DC Voltage  
 Measuring Conditions  
 Frequency: 14.300MHz  
 Mode: CW  
 BACKUP Switch: On

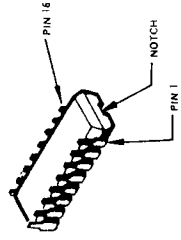
NOTE:  
 RESISTOR VALUES ARE IN Ω, kΩ, MΩ.  
 CAPACITOR VALUES ARE IN pF, nF, μF.  
 ELECTROLYTIC CAPACITORS ARE IN μF.  
 UNLESS OTHERWISE NOTED.



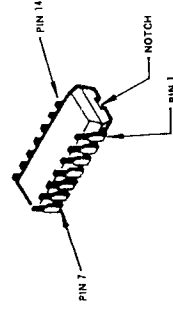
For Service Manuals Contact  
 TECHNICAL SERVICES  
 8 Cherry Tree Rd, Milton  
 Oxon OX9 4QY  
 Tel: 01844-351694 Fax: 01844-352554  
 Email: enquiries@matron.co.uk



M37450M4-494FP  
(Q6501)

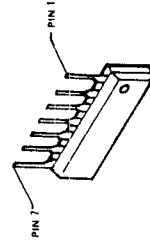


µPA2003C  
(Q6502, 6503)  
 µPD4094BC  
(Q6513, 6514)

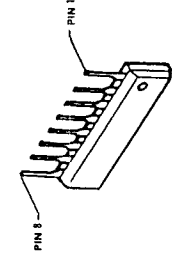


M5224FP  
(Q6510)

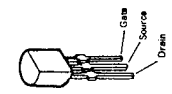
("component" side)



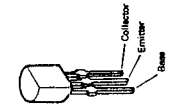
M5278L56  
(Q6504)



M5218AL  
(Q6509)  
 M5223L  
(Q6508)

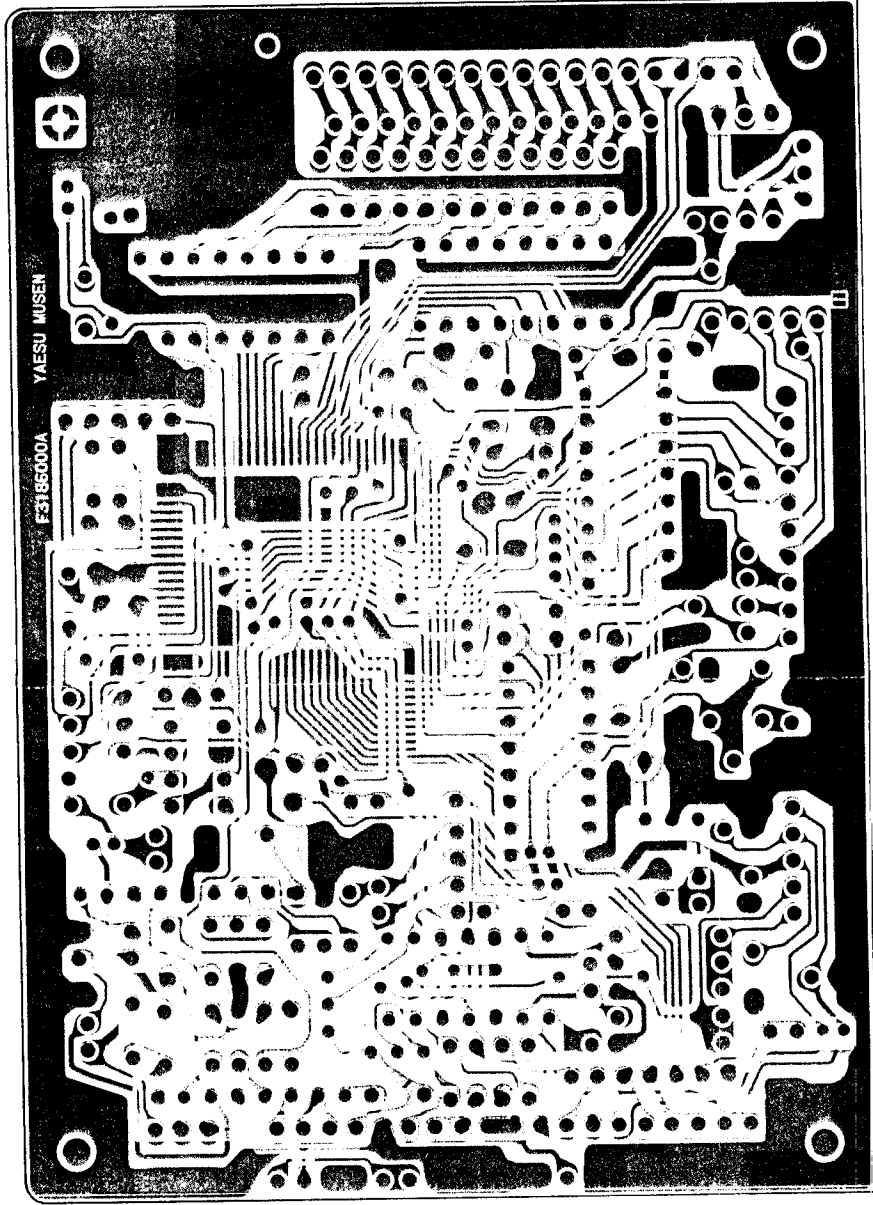


2SK104J  
(Q6511, 6512)



2SC458BTZ  
(Q6507, 6515, 6516)

# Tuner Control Unit



("solder" side)

# Tuner Control Unit

REF.	YAESU P/N	DESCRIPTION	MFR'S DESIG	VALUE	WV	TOL.	VERS.
*** TUNER CNTL UNIT ***							
	CA0272101	P.C.B. W COMP.					
	F3186000A	P.C.B. W/O COMP.					
BT6501	Q9000540	LITHIUM BATTERY	CR2032-HC3H		3V		
C 6501	K26170079	CERAMIC CAP.	DD104-289SL330J50	33pF	50V	SL	
C 6502	K26170079	CERAMIC CAP.	DD104-289SL330J50	33pF	50V	SL	
C 6503	K28129001	CERAMIC CAP.	EP050Y103N-A	0.01uF	16V	Y	
C 6504	K28129001	CERAMIC CAP.	EP050Y103N-A	0.01uF	16V	Y	
C 6505	K28129001	CERAMIC CAP.	EP050Y103N-A	0.01uF	16V	Y	
C 6506	K28129001	CERAMIC CAP.	EP050Y103N-A	0.01uF	16V	Y	
C 6507	K28129001	CERAMIC CAP.	EP050Y103N-A	0.01uF	16V	Y	
C 6508	K28129001	CERAMIC CAP.	EP050Y103N-A	0.01uF	16V	Y	
C 6509	K28129001	CERAMIC CAP.	EP050Y103N-A	0.01uF	16V	Y	
C 6510	K28129001	CERAMIC CAP.	EP050Y103N-A	0.01uF	16V	Y	
C 6511	K28129001	CERAMIC CAP.	EP050Y103N-A	0.01uF	16V	Y	
C 6512	K28129001	CERAMIC CAP.	EP050Y103N-A	0.01uF	16V	Y	
C 6513	K28129001	CERAMIC CAP.	EP050Y103N-A	0.01uF	16V	Y	
C 6514	K28129001	CERAMIC CAP.	EP050Y103N-A	0.01uF	16V	Y	
C 6515	K28129001	CERAMIC CAP.	EP050Y103N-A	0.01uF	16V	Y	
C 6516	K46170031	AL. ELECTRO. CAP.	50V2R2M4X7TR2	2.2uF	50V		
C 6517	K46120007	AL. ELECTRO. CAP.	16V101M6X7TR2	100uF	16V		
C 6518	K28129001	CERAMIC CAP.	EP050Y103N-A	0.01uF	16V	Y	
C 6519	K28129001	CERAMIC CAP.	EP050Y103N-A	0.01uF	16V	Y	
C 6520	K46120007	AL. ELECTRO. CAP.	16V101M6X7TR2	100uF	16V		
C 6521	K28129001	CERAMIC CAP.	EP050Y103N-A	0.01uF	16V	Y	
C 6522	K28129001	CERAMIC CAP.	EP050Y103N-A	0.01uF	16V	Y	
C 6523	K28179002	CERAMIC CAP.	UP050F473Z-A-B	0.047uF	50V	F	
C 6524	K46120007	AL. ELECTRO. CAP.	16V101M6X7TR2	100uF	16V		
C 6525	K28129001	CERAMIC CAP.	EP050Y103N-A	0.01uF	16V	Y	
C 6526	K28129001	CERAMIC CAP.	EP050Y103N-A	0.01uF	16V	Y	
C 6527	K28129001	CERAMIC CAP.	EP050Y103N-A	0.01uF	16V	Y	
C 6528	K28129001	CERAMIC CAP.	EP050Y103N-A	0.01uF	16V	Y	
C 6529	K28129001	CERAMIC CAP.	EP050Y103N-A	0.01uF	16V	Y	
C 6530	K28129001	CERAMIC CAP.	EP050Y103N-A	0.01uF	16V	Y	
C 6531	K28129001	CERAMIC CAP.	EP050Y103N-A	0.01uF	16V	Y	
C 6532	K28129001	CERAMIC CAP.	EP050Y103N-A	0.01uF	16V	Y	
C 6533	K28129001	CERAMIC CAP.	EP050Y103N-A	0.01uF	16V	Y	
C 6534	K28129001	CERAMIC CAP.	EP050Y103N-A	0.01uF	16V	Y	
C 6536	K28179002	CERAMIC CAP.	UP050F473Z-A-B	0.047uF	50V	F	
C 6537	K28179002	CERAMIC CAP.	UP050F473Z-A-B	0.047uF	50V	F	
C 6538	K28179002	CERAMIC CAP.	UP050F473Z-A-B	0.047uF	50V	F	
C 6539	K40149012	AL. ELECTRO. CAP.	RC2-25V100M(5X7)	10uF	25V		
C 6540	K76160015	TANTALUM CAP.	TPDN1VOR1M8S(MXO)	0.1uF	35V		
C 6541	K28129001	CERAMIC CAP.	EP050Y103N-A	0.01uF	16V	Y	
C 6542	K28129001	CERAMIC CAP.	EP050Y103N-A	0.01uF	16V	Y	
C 6543	K28129001	CERAMIC CAP.	EP050Y103N-A	0.01uF	16V	Y	
C 6544	K28129001	CERAMIC CAP.	EP050Y103N-A	0.01uF	16V	Y	
C 6545	K28129001	CERAMIC CAP.	EP050Y103N-A	0.01uF	16V	Y	
C 6546	K46120007	AL. ELECTRO. CAP.	16V101M6X7TR2	100uF	16V		
C 6547	K46120007	AL. ELECTRO. CAP.	16V101M6X7TR2	100uF	16V		
C 6548	K28129001	CERAMIC CAP.	EP050Y103N-A	0.01uF	16V	Y	

# Tuner Control Unit

REF.	YAESU P/N	DESCRIPTION	MFGR'S DESIG	VALUE	WV	TOL.	VERS.
C 6549	K28129001	CERAMIC CAP.	EP050Y103N-A	0.01uF	16V	Y	
C 6550	K28129001	CERAMIC CAP.	EP050Y103N-A	0.01uF	16V	Y	
C 6551	K28129001	CERAMIC CAP.	EP050Y103N-A	0.01uF	16V	Y	
C 6552	K28129001	CERAMIC CAP.	EP050Y103N-A	0.01uF	16V	Y	
C 6554	K28129001	CERAMIC CAP.	EP050Y103N-A	0.01uF	16V	Y	
C 6555	K28129001	CERAMIC CAP.	EP050Y103N-A	0.01uF	16V	Y	
C 6556	K28129001	CERAMIC CAP.	EP050Y103N-A	0.01uF	16V	Y	
C 6558	K46120005	AL. ELECTRO. CAP.	16V220M5X7TR2	22uF	16V		
C 6559	K28129001	CERAMIC CAP.	EP050Y103N-A	0.01uF	16V	Y	
C 6560	K28129001	CERAMIC CAP.	EP050Y103N-A	0.01uF	16V	Y	
C 6561	K28129001	CERAMIC CAP.	EP050Y103N-A	0.01uF	16V	Y	
C 6562	K28129001	CERAMIC CAP.	EP050Y103N-A	0.01uF	16V	Y	
C 6563	K28129001	CERAMIC CAP.	EP050Y103N-A	0.01uF	16V	Y	
C06501	H7900580	CERAMIC OSC	CSA8.00MT				
D 6501	G2060004	DIODE	1SS270TJ				
D 6502	G2060004	DIODE	1SS270TJ				
D 6506	G2060004	DIODE	1SS270TJ				
D 6507	G2090452	DIODE	HZ3A2				
D 6508	G2060004	DIODE	1SS270TJ				
D 6512	G2090118	DIODE	1SS97				
D 6513	G2060004	DIODE	1SS270TJ				
D 6514	G2060004	DIODE	1SS270TJ				
D 6515	G2060004	DIODE	1SS270TJ				
D 6516	G2060004	DIODE	1SS270TJ				
D 6517	G2060004	DIODE	1SS270TJ				
J 6501	P0090632	CONNECTOR	SC25-13WS				
J 6502	P0090626	CONNECTOR	SC25-07WS				
J 6503	P0090623	CONNECTOR	SC25-04WS				
J 6504	P0090639	CONNECTOR	SC25-06WL				
J 6506	P0090712	CONNECTOR	SC25-02WL				
J 6507	P0090717	CONNECTOR	SC25-10WL				
L 6501	L1790095	M. RFC	LAL03TA100K	10uH			
Q 6501	G1091243	IC	M37450M4-494FP				
Q 6502	G1090554	IC	UPA2003C				
Q 6503	G1090554	IC	UPA2003C				
Q 6504	G1090694	IC	M5278L56				
Q 6507	G3304584B	TRANSISTOR	2SC458BTZ				
Q 6508	G1090988	IC	M5223L				
Q 6509	G1091140	IC	M5218AL				
Q 6510	G1090757	IC	M5224P				
Q 6511	G3801040J	FET	2SK104J				
Q 6512	G3801040J	FET	2SK104J				
Q 6513	G1090297	IC	UPD4094BC				
Q 6514	G1090297	IC	UPD4094BC				
Q 6515	G3304584B	TRANSISTOR	2SC458BTZ				
Q 6516	G3304584B	TRANSISTOR	2SC458BTZ				
R 6501	J07225105	CARBON FILM RES.	RD16TPJ105	1M	1/6W		
R 6502	J07225104	CARBON FILM RES.	RD16TPJ104	100K	1/6W		
R 6503	J07225104	CARBON FILM RES.	RD16TPJ104	100K	1/6W		

For Service Manuals Contact  
**MAURITRON TECHNICAL SERVICES**  
 8 Cherry Tree Rd, Chinnor  
 Oxon OX9 4QY  
 Tel:- 01844-351694 Fax:- 01844-352554  
 Email:- enquiries@mauritron.co.uk

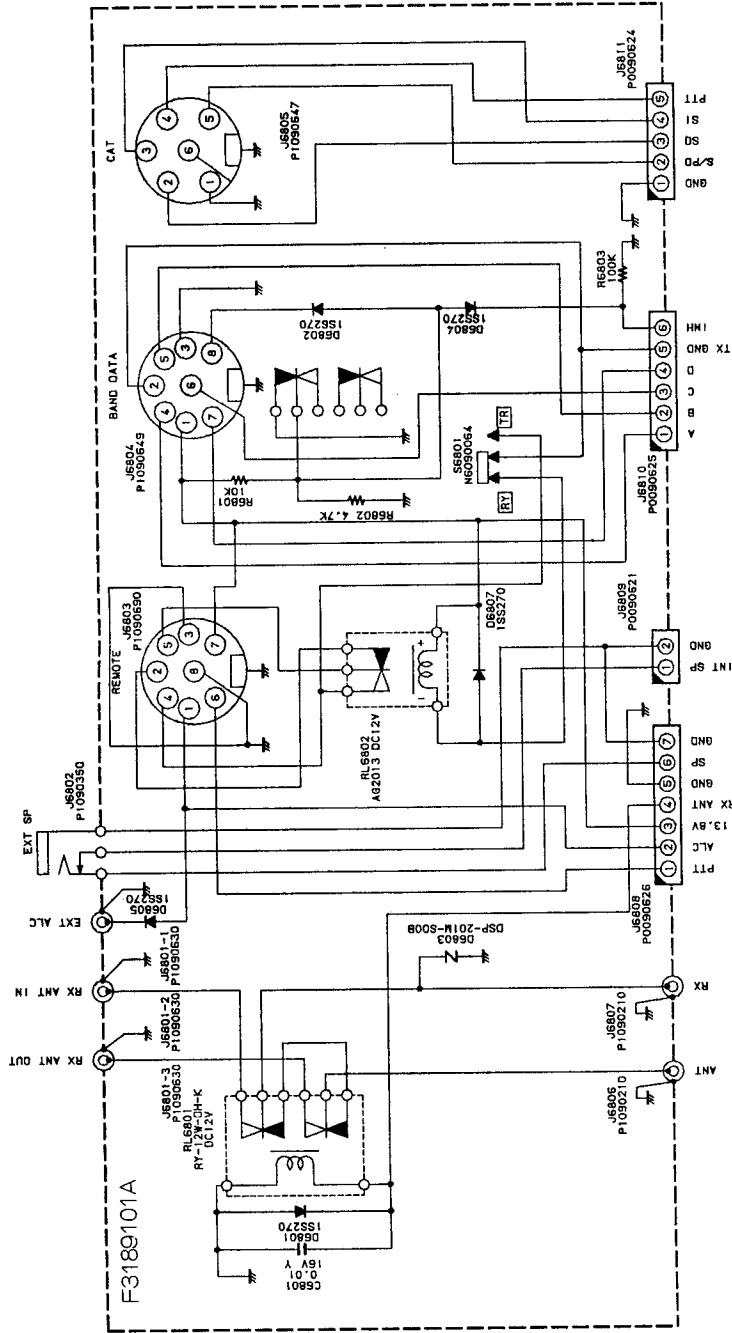
# Tuner Control Unit

REF.	YAESU P/N	DESCRIPTION	MFGR'S DESIG	VALUE	WV	TOL.	VERS.
R 6504	J07225104	CARBON FILM RES.	RD16TPJ104	100K	1/6W		
R 6505	J07225104	CARBON FILM RES.	RD16TPJ104	100K	1/6W		
R 6506	J07225104	CARBON FILM RES.	RD16TPJ104	100K	1/6W		
R 6507	J07225104	CARBON FILM RES.	RD16TPJ104	100K	1/6W		
R 6508	J07225104	CARBON FILM RES.	RD16TPJ104	100K	1/6W		
R 6509	J07225104	CARBON FILM RES.	RD16TPJ104	100K	1/6W		
R 6510	J07225104	CARBON FILM RES.	RD16TPJ104	100K	1/6W		
R 6511	J07225104	CARBON FILM RES.	RD16TPJ104	100K	1/6W		
R 6512	J07225103	CARBON FILM RES.	RD16TPJ103	10K	1/6W		
R 6513	J07225470	CARBON FILM RES.	RD16TPJ470	47	1/6W		
R 6514	J07225103	CARBON FILM RES.	RD16TPJ103	10K	1/6W		
R 6515	J07225103	CARBON FILM RES.	RD16TPJ103	10K	1/6W		
R 6516	J07225104	CARBON FILM RES.	RD16TPJ104	100K	1/6W		
R 6517	J07225104	CARBON FILM RES.	RD16TPJ104	100K	1/6W		
R 6518	J07225104	CARBON FILM RES.	RD16TPJ104	100K	1/6W		
R 6519	J07225104	CARBON FILM RES.	RD16TPJ104	100K	1/6W		
R 6520	J07225474	CARBON FILM RES.	RD16TPJ474	470K	1/6W		
R 6521	J07225474	CARBON FILM RES.	RD16TPJ474	470K	1/6W		
R 6523	J07225104	CARBON FILM RES.	RD16TPJ104	100K	1/6W		
R 6524	J07225104	CARBON FILM RES.	RD16TPJ104	100K	1/6W		
R 6528	J07225473	CARBON FILM RES.	RD16TPJ473	47K	1/6W		
R 6529	J07225104	CARBON FILM RES.	RD16TPJ104	100K	1/6W		
R 6530	J07225392	CARBON FILM RES.	RD16TPJ392	3.9K	1/6W		
R 6531	J07225103	CARBON FILM RES.	RD16TPJ103	10K	1/6W		
R 6532	J07225104	CARBON FILM RES.	RD16TPJ104	100K	1/6W		
R 6533	J07225224	CARBON FILM RES.	RD16TPJ224	220K	1/6W		
R 6541	J07225333	CARBON FILM RES.	RD16TPJ333	33K	1/6W		
R 6542	J07225473	CARBON FILM RES.	RD16TPJ473	47K	1/6W		
R 6543	J07225472	CARBON FILM RES.	RD16TPJ472	4.7K	1/6W		
R 6544	J07225103	CARBON FILM RES.	RD16TPJ103	10K	1/6W		
R 6545	J07225104	CARBON FILM RES.	RD16TPJ104	100K	1/6W		
R 6546	J07225224	CARBON FILM RES.	RD16TPJ224	220K	1/6W		
R 6549	J07225225	CARBON FILM RES.	RD16TPJ225	2.2M	1/6W		
R 6550	J07225103	CARBON FILM RES.	RD16TPJ103	10K	1/6W		
R 6551	J07225104	CARBON FILM RES.	RD16TPJ104	100K	1/6W		
R 6554	J07225102	CARBON FILM RES.	RD16TPJ102	1K	1/6W		
R 6555	J07225474	CARBON FILM RES.	RD16TPJ474	470K	1/6W		
R 6556	J07225225	CARBON FILM RES.	RD16TPJ225	2.2M	1/6W		
R 6559	J07225123	CARBON FILM RES.	RD16TPJ123	12K	1/6W		
R 6560	J07225103	CARBON FILM RES.	RD16TPJ103	10K	1/6W		
R 6561	J07225223	CARBON FILM RES.	RD16TPJ223	22K	1/6W		
R 6562	J07225103	CARBON FILM RES.	RD16TPJ103	10K	1/6W		
R 6563	J07225103	CARBON FILM RES.	RD16TPJ103	10K	1/6W		
R 6564	J07225473	CARBON FILM RES.	RD16TPJ473	47K	1/6W		
R 6565	J07225103	CARBON FILM RES.	RD16TPJ103	10K	1/6W		
R 6566	J07225103	CARBON FILM RES.	RD16TPJ103	10K	1/6W		
R 6568	J07225104	CARBON FILM RES.	RD16TPJ104	100K	1/6W		
R 6569	J07225104	CARBON FILM RES.	RD16TPJ104	100K	1/6W		
R 6570	J07225104	CARBON FILM RES.	RD16TPJ104	100K	1/6W		
R 6571	J07225104	CARBON FILM RES.	RD16TPJ104	100K	1/6W		
R 6572	J07225104	CARBON FILM RES.	RD16TPJ104	100K	1/6W		
R 6574	J07225470	CARBON FILM RES.	RD16TPJ470	47	1/6W		
R 6575	J07225470	CARBON FILM RES.	RD16TPJ470	47	1/6W		
R 6576	J07225470	CARBON FILM RES.	RD16TPJ470	47	1/6W		
R 6577	J07225470	CARBON FILM RES.	RD16TPJ470	47	1/6W		

# Tuner Control Unit

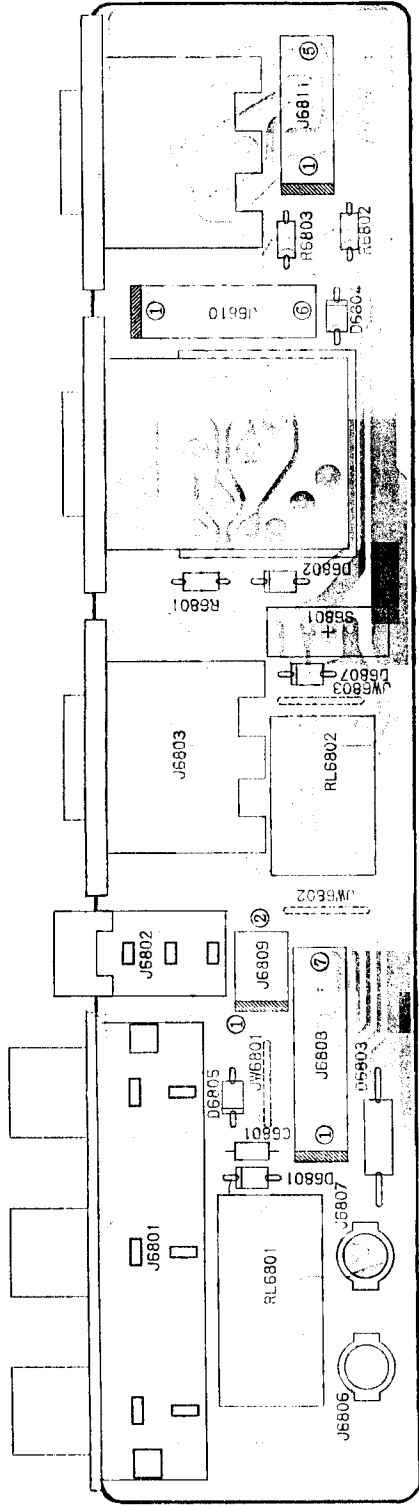
REF.	YAESU P/N	DESCRIPTION	MFGR'S DESIG	VALUE	WV	TOL.	VERS.
R 6578	J07225470	CARBON FILM RES.	RD16TPJ470	47	1/6W		
R 6579	J07225470	CARBON FILM RES.	RD16TPJ470	47	1/6W		
R 6580	J07225470	CARBON FILM RES.	RD16TPJ470	47	1/6W		
R 6581	J07225470	CARBON FILM RES.	RD16TPJ470	47	1/6W		
R 6582	J07225470	CARBON FILM RES.	RD16TPJ470	47	1/6W		
R 6583	J07225470	CARBON FILM RES.	RD16TPJ470	47	1/6W		
R 6584	J07225470	CARBON FILM RES.	RD16TPJ470	47	1/6W		
R 6585	J07225470	CARBON FILM RES.	RD16TPJ470	47	1/6W		
R 6586	J07225103	CARBON FILM RES.	RD16TPJ103	10K	1/6W		
R 6588	J07225102	CARBON FILM RES.	RD16TPJ102	1K	1/6W		
R 6589	J07225102	CARBON FILM RES.	RD16TPJ102	1K	1/6W		
R 6590	J07225102	CARBON FILM RES.	RD16TPJ102	1K	1/6W		
R 6591	J07225102	CARBON FILM RES.	RD16TPJ102	1K	1/6W		
R 6593	J07225222	CARBON FILM RES.	RD16TPJ222	2. 2K	1/6W		
R 6600	J07225105	CARBON FILM RES.	RD16TPJ105	1M	1/6W		
R 6601	J07225334	CARBON FILM RES.	RD16TPJ334	330K	1/6W		
R 6602	J07225224	CARBON FILM RES.	RD16TPJ224	220K	1/6W		
R 6603	J07225105	CARBON FILM RES.	RD16TPJ105	1M	1/6W		
R 6604	J07225334	CARBON FILM RES.	RD16TPJ334	330K	1/6W		
R 6605	J07225224	CARBON FILM RES.	RD16TPJ224	220K	1/6W		
R 6606	J07225153	CARBON FILM RES.	RD16TPJ153	15K	1/6W		
R 6607	J07225123	CARBON FILM RES.	RD16TPJ123	12K	1/6W		
R 6608	J07225473	CARBON FILM RES.	RD16TPJ473	47K	1/6W		
S 6501	N6090066	SLIDE SWITCH	SS912L4NS				
TP6501	Q5000050	TP-K	IPS-1136				
TP6502	Q5000050	TP-K	IPS-1136				
VR6501	J51783203	POT.	EVN-DXAA03B24	20K			
VR6502	J51783203	POT.	EVN-DXAA03B24	20K			
	R0139390	SHIELD PLATE					

For Service Manuals Contact  
**MAURITRON TECHNICAL SERVICES**  
 8 Cherry Tree Rd, Chinnor  
 Oxon OX9 4QY  
 Tel:- 01844-351694 Fax:- 01844-352554  
 Email:- enquiries@mauritron.co.uk

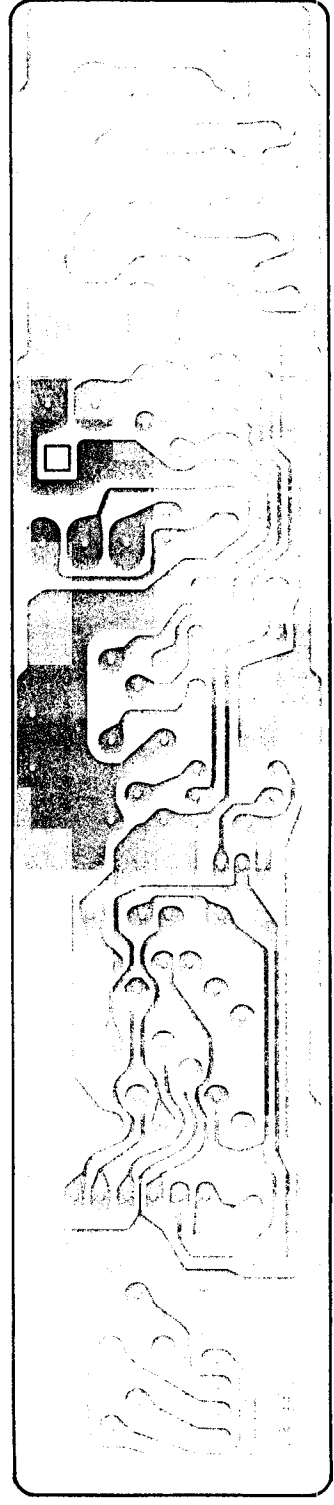


NOTE:  
RESISTOR VALUES ARE IN Ω, 1/SW !  
UNLESS OTHERWISE NOTED.

# Connector Unit



("component" side)



("solder" side)

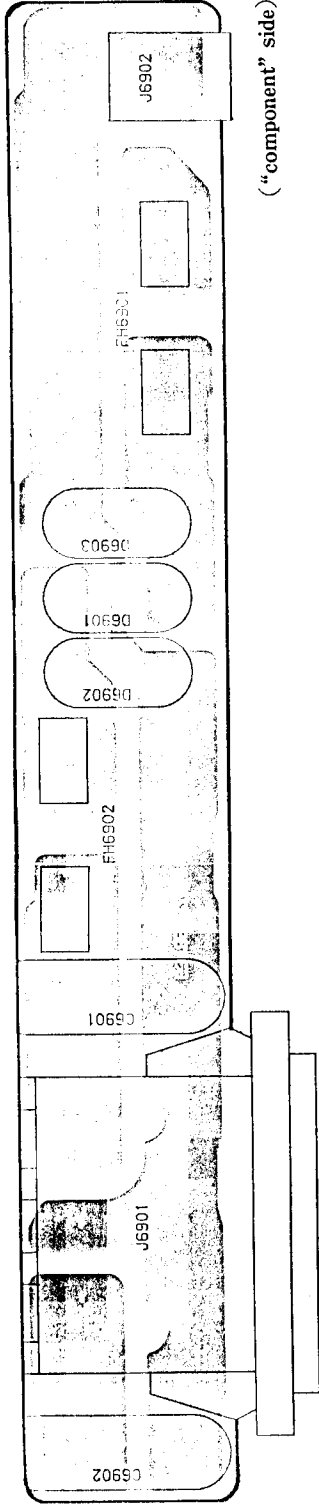


# Connector Unit

REF.	YAESU P/N	DESCRIPTION	MFGR'S DESIG	VALUE	WV	TOL.	VERS.
*** CONNECTOR UNIT ***							
	CA0414001	P. C. B. W COMP.					
	F3189101A	P. C. B. W/O COMP.					
C 6801	K28129001	CERAMIC CAP.	EPO50Y103N-A	0.01uF	16V		Y
D 6801	G2060004	DIODE	1SS270TJ				
D 6802	G2060004	DIODE	1SS270TJ				
D 6803	Q9000375	SURGE ABSORBER	DSP201M-S00B				
D 6804	G2060004	DIODE	1SS270TJ				
D 6805	G2060004	DIODE	1SS270TJ				
D 6807	G2060004	DIODE	1SS270TJ				
J 6801	P1090630	CONNECTOR	JPJ2043-01-211				
J 6802	P1090350	CONNECTOR	SG8035#01				
J 6803	P1090690	CONNECTOR	TCS5073-18-4151				
J 6804	P1090649	CONNECTOR	TCS5073-59-4151				
J 6805	P1090647	CONNECTOR	TCS5073-16-4151				
J 6806	P1090210	CONNECTOR	TMP-J01X-V6				
J 6807	P1090210	CONNECTOR	TMP-J01X-V6				
J 6808	P0090626	CONNECTOR	SC25-07WS				
J 6809	P0090621	CONNECTOR	SC25-02WS				
J 6810	P0090625	CONNECTOR	SC25-06WS				
J 6811	P0090624	CONNECTOR	SC25-05WS				
R 6801	J07225103	CARBON FILM RES.	RD16TPJ103	10K		1/6W	
R 6802	J07225472	CARBON FILM RES.	RD16TPJ472	4.7K		1/6W	
R 6803	J07225104	CARBON FILM RES.	RD16TPJ104	100K		1/6W	
RL6801	M1190097	RELAY	RY-12W-OH-K	DC12V		DC12V	
RL6802	M1190045	RELAY	AG2013	DC12V		DC12V	
S 6801	N6090064	SLIDE SWITCH	SS912				

For Service Manuals Contact  
**MAURITRON TECHNICAL SERVICES**  
 8 Cherry Tree Rd, Chinnor  
 Oxon OX9 4QY  
 Tel:- 01844-351694 Fax:- 01844-352554  
 Email:- enquiries@mauritron.co.uk

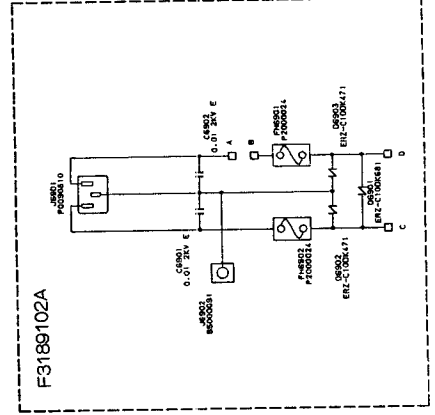
# Protector Unit



("component" side)



("solder" side)

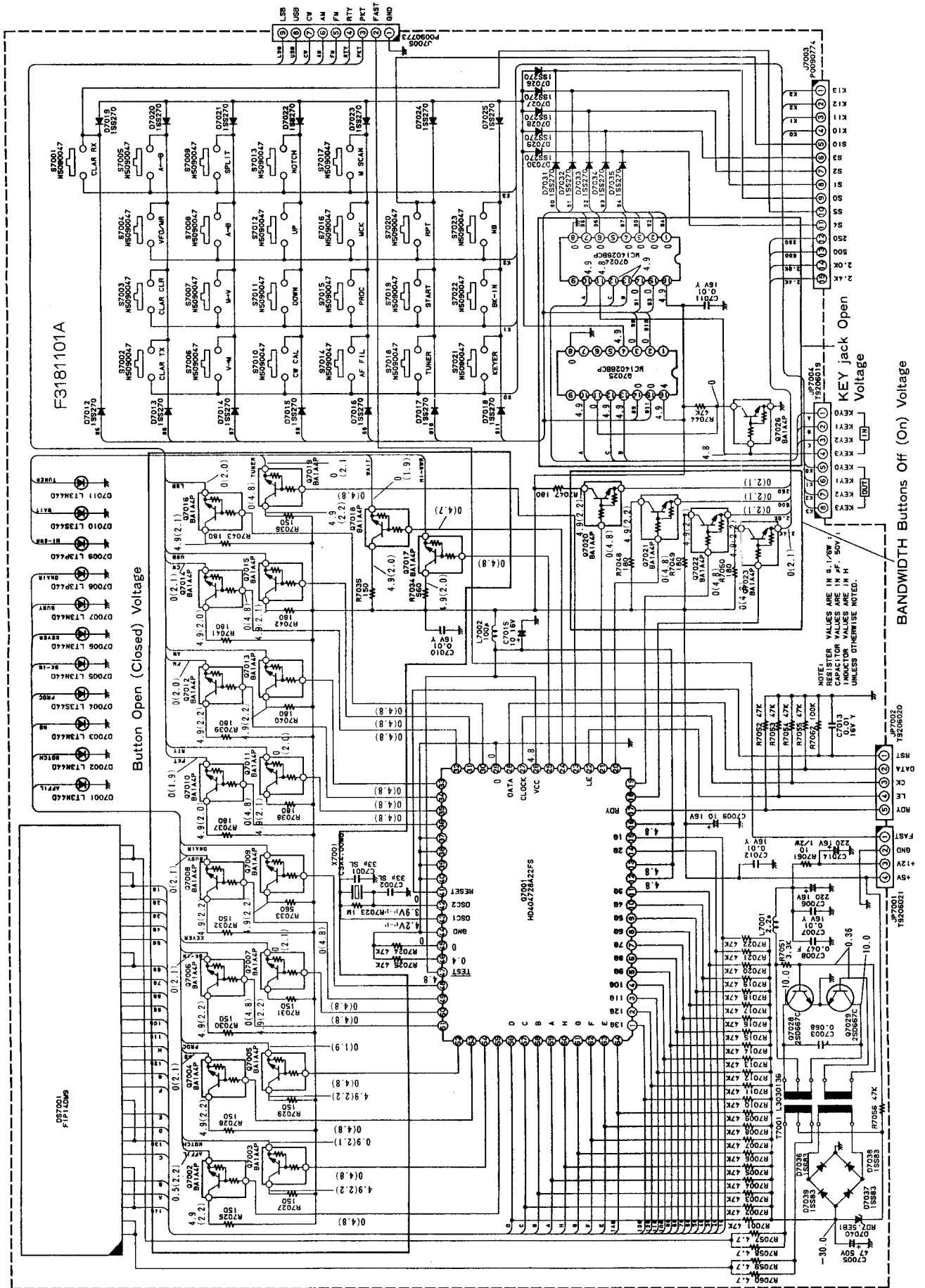


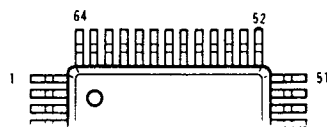
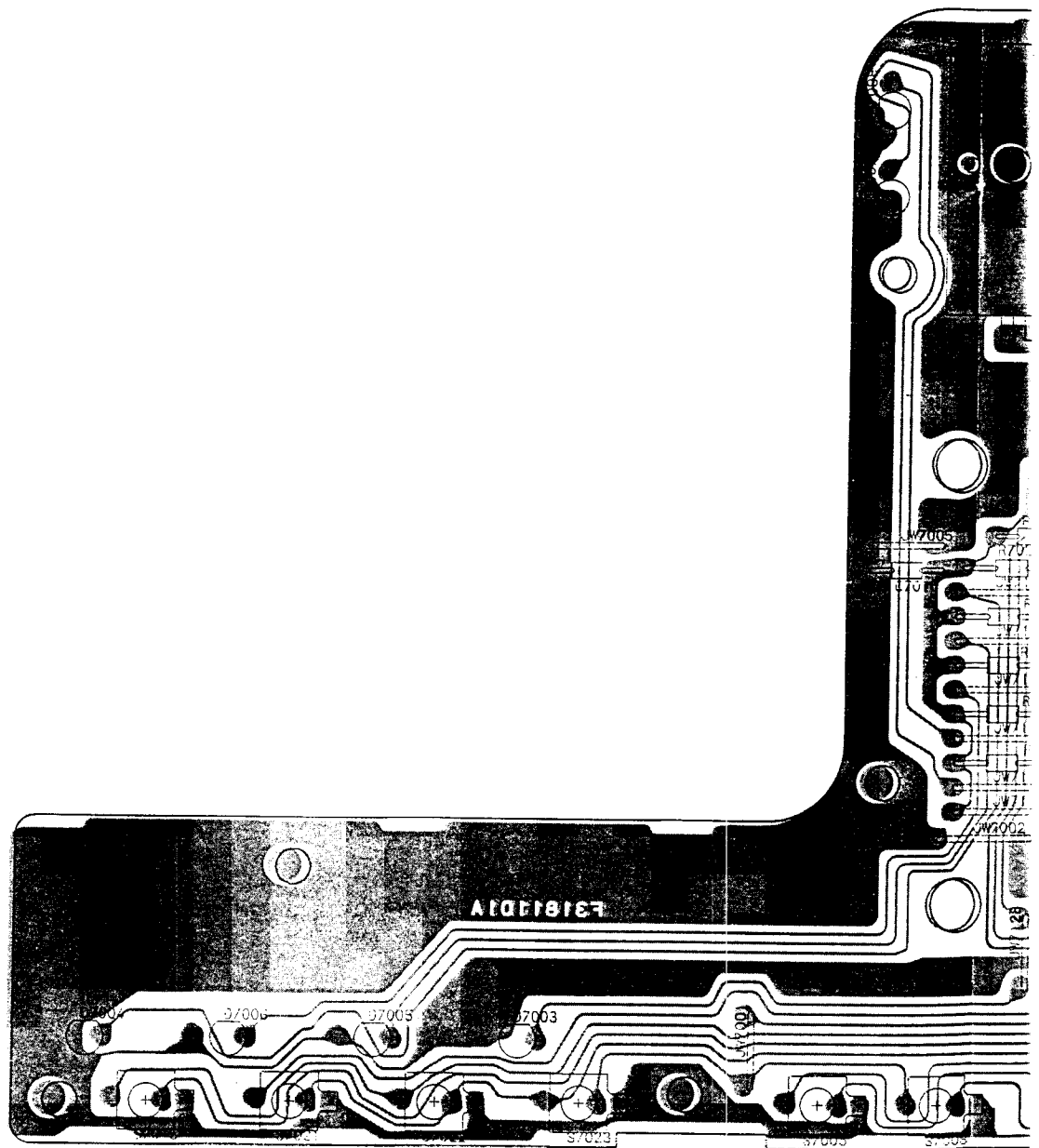
For Service Manuals Contact  
**MAURITRON TECHNICAL SERVICES**  
 8 Cherry Tree Rd, Chinnor  
 Oxon OX9 4QY  
 Tel: 01844-351694 Fax: 01844-352554  
 Email: enquiries@maurifron.co.uk

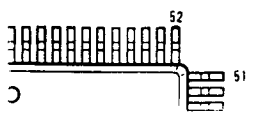
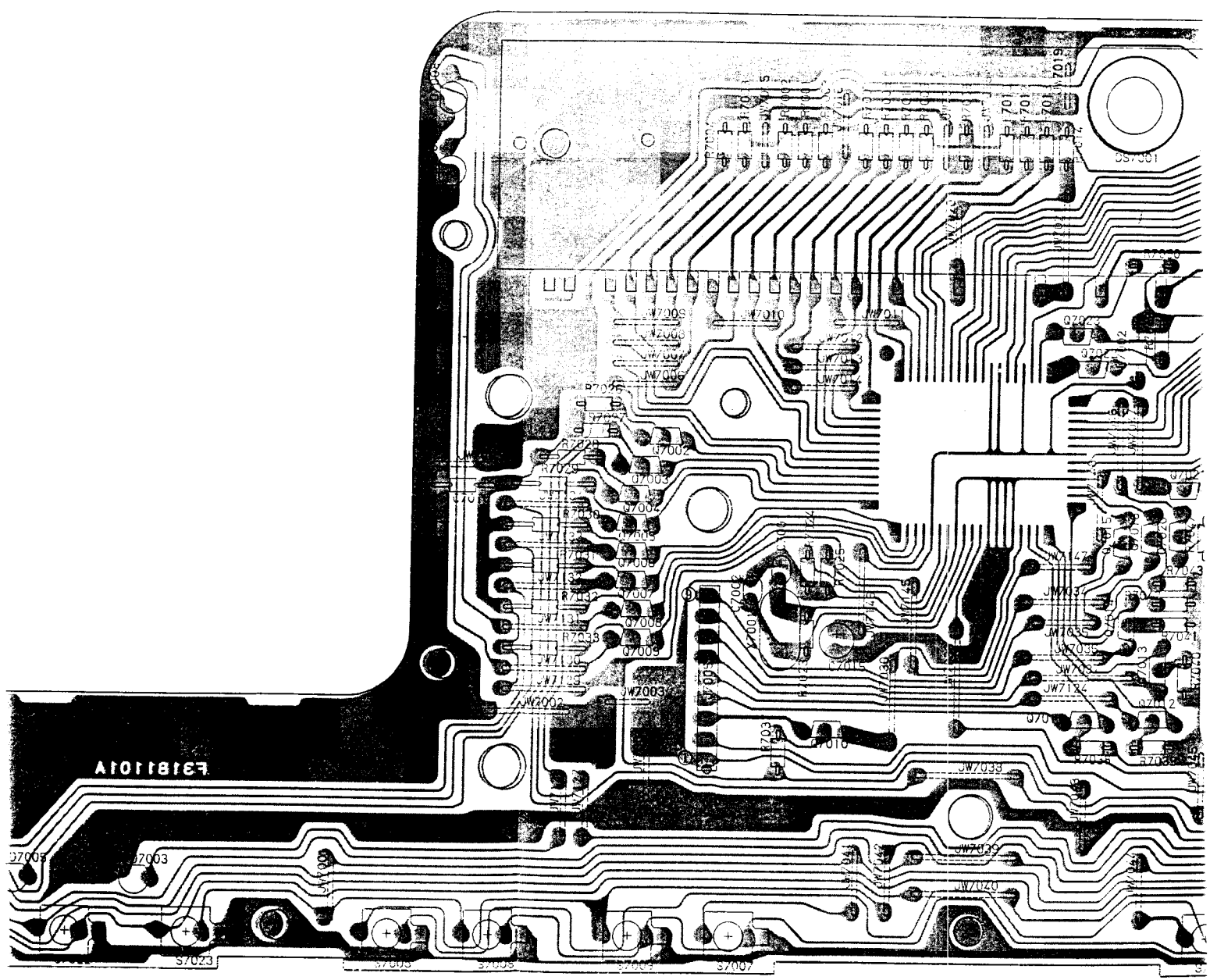
# Protector Unit

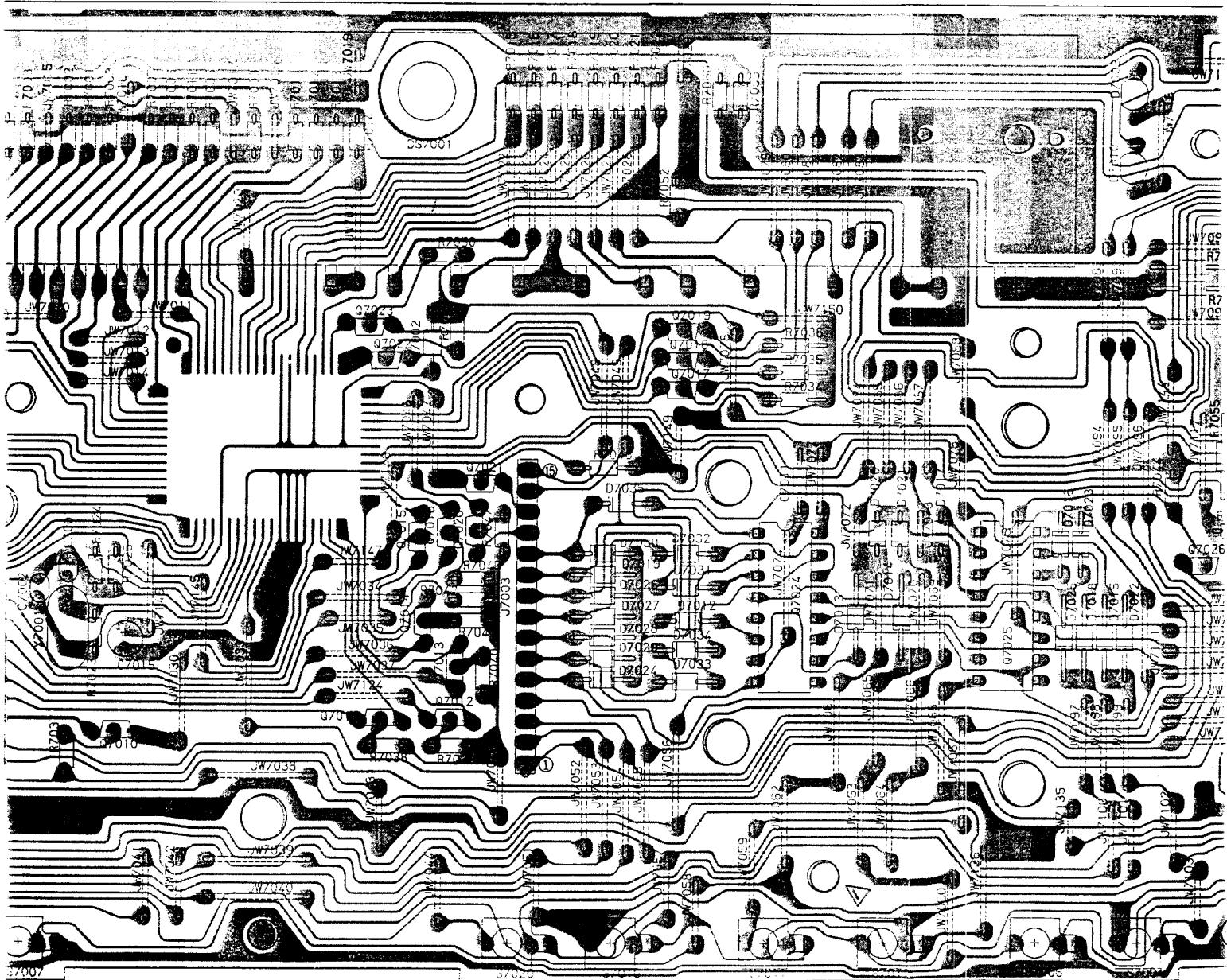
REF.	YAESU P/N	DESCRIPTION	MFGR'S DESIG	VALUE	WV	TOL.	VERS.
*** PROTECTOR UNIT ***							
	CA0415001	P.C.B. W COMP.					
	F3189102A	P.C.B. W/O COMP.					
C 6901	K12329001	CERAMIC CAP.	ECKDNS103ME	0.01uF	2KV	E	
C 6902	K12329001	CERAMIC CAP.	ECKDNS103ME	0.01uF	2KV	E	
D 6901	Q9000382	SURGE ABSORBER	ERZ-C10DK681				
D 6902	Q9000381	SURGE ABSORBER	ERZ-C10DK471				
D 6903	Q9000381	SURGE ABSORBER	ERZ-C10DK471				
FH6901	P2000024	FUSE CLIP	UF-0033#01				
FH6902	P2000024	FUSE CLIP	UF-0033#01				
J 6901	P0090810	CONNECTOR	WCF1063B				
J 6902	S5000091	TERMINAL	P-96				

For Service Manuals Contact  
**MAURITRON TECHNICAL SERVICES**  
 8 Cherry Tree Rd, Chinnor  
 Oxon OX9 4QY  
 Tel: 01844-351694 Fax: 01844-352554  
 Email: enquiries@mauritron.co.uk





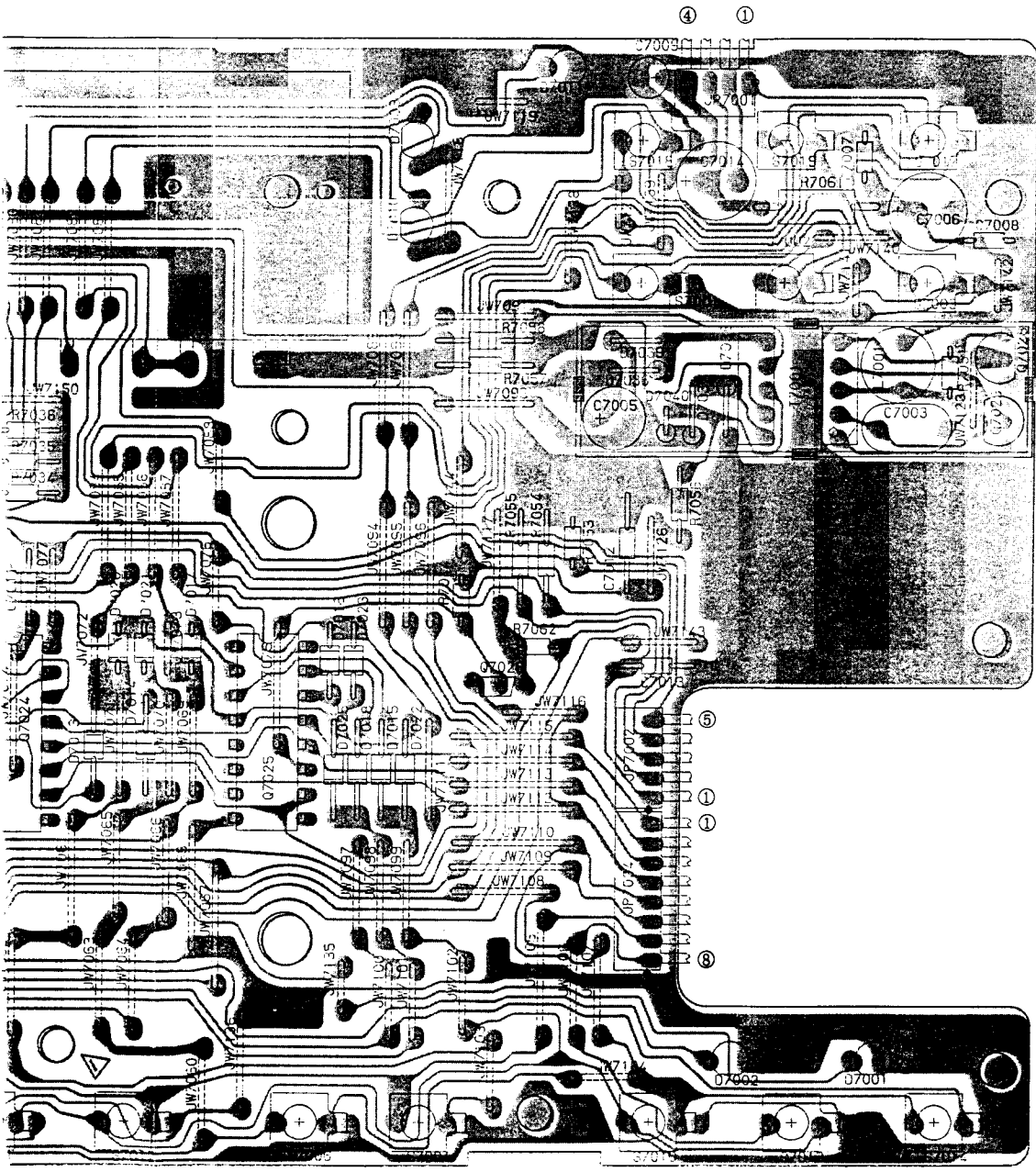




37007

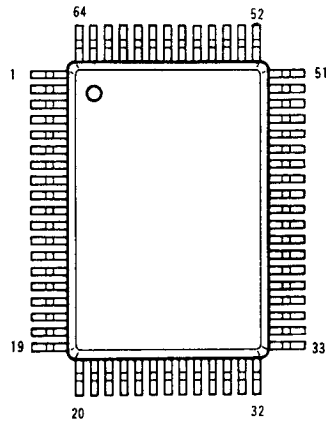
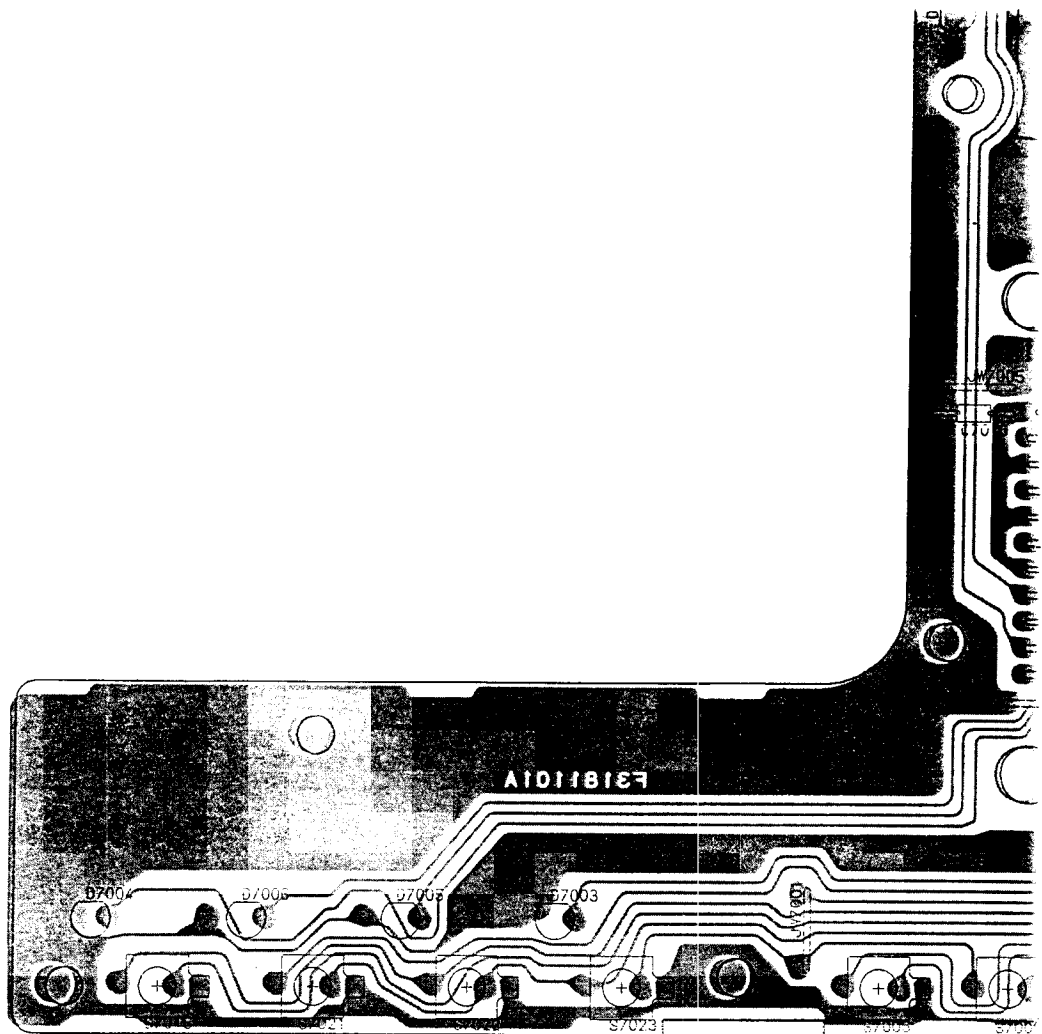
37025

37035

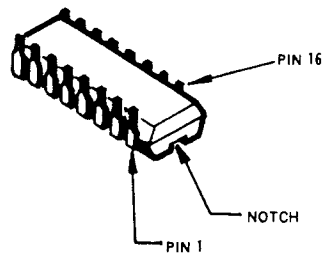
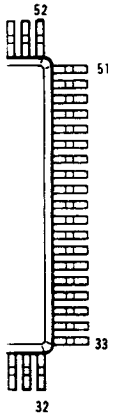
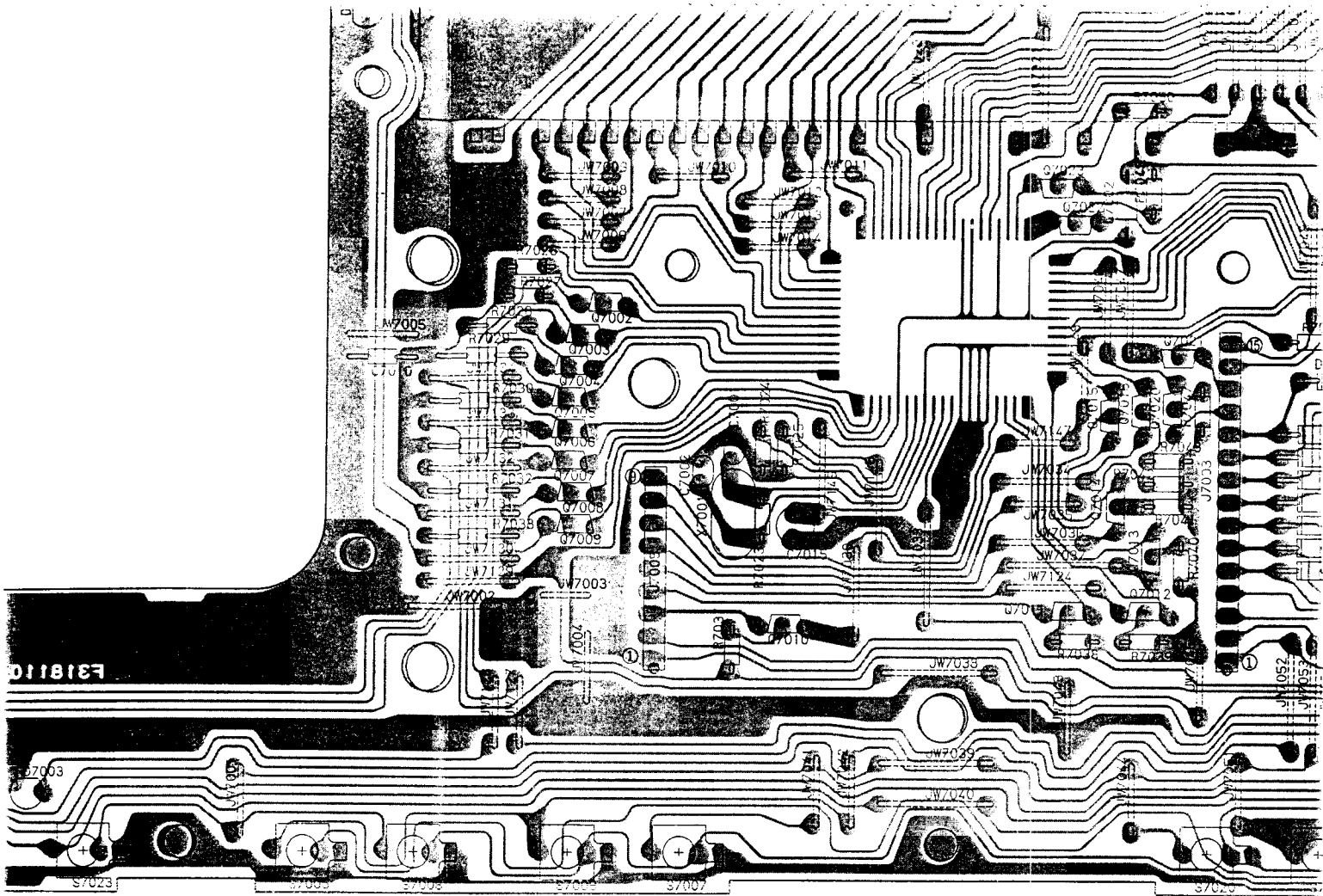


(“component” side)



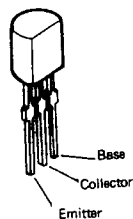
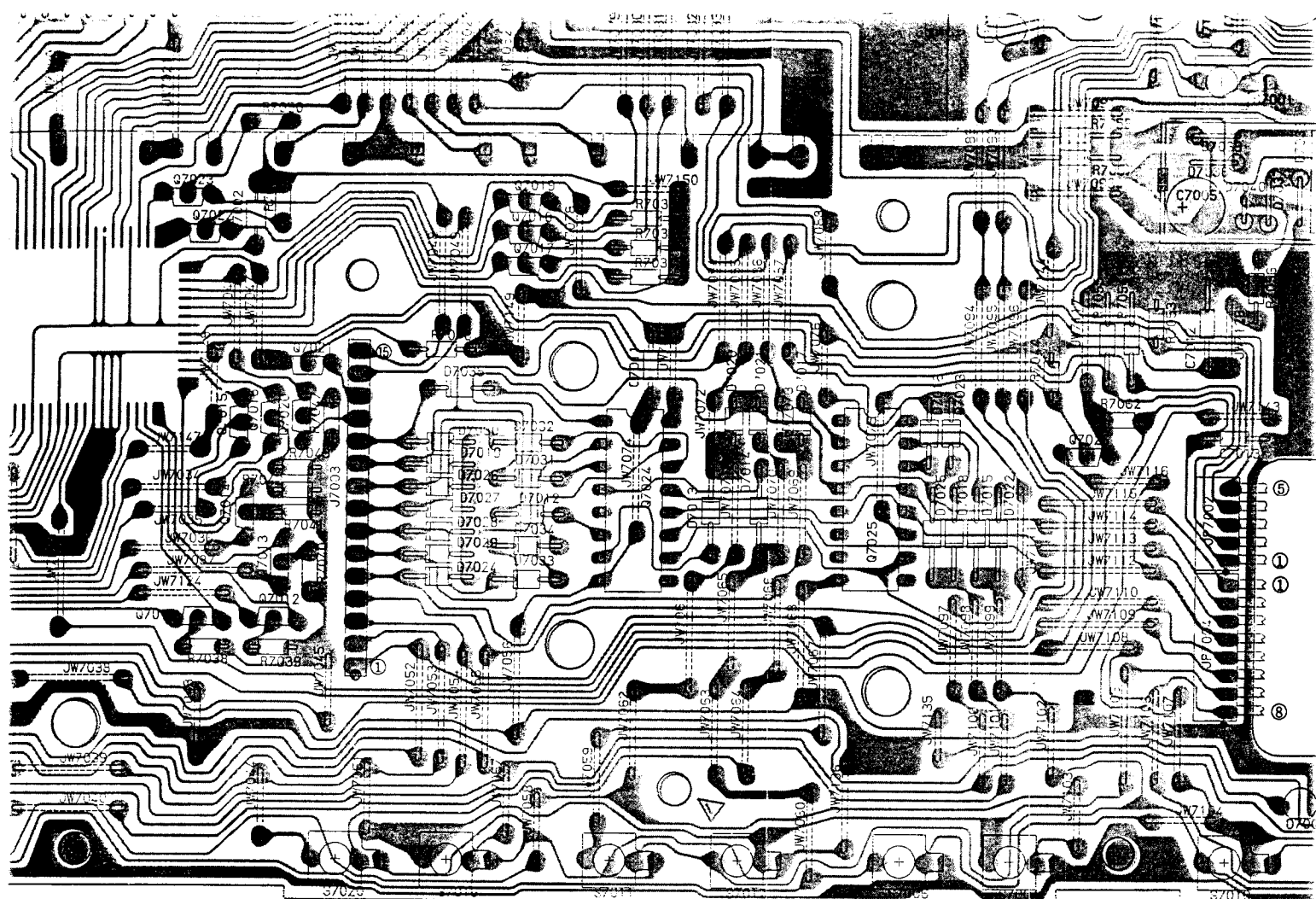


HD404728A22FS  
(Q7001)

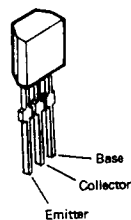


MC14028BCP  
(Q7024, 7025)

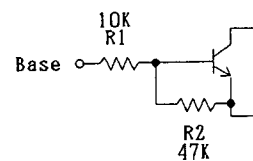
A22FS



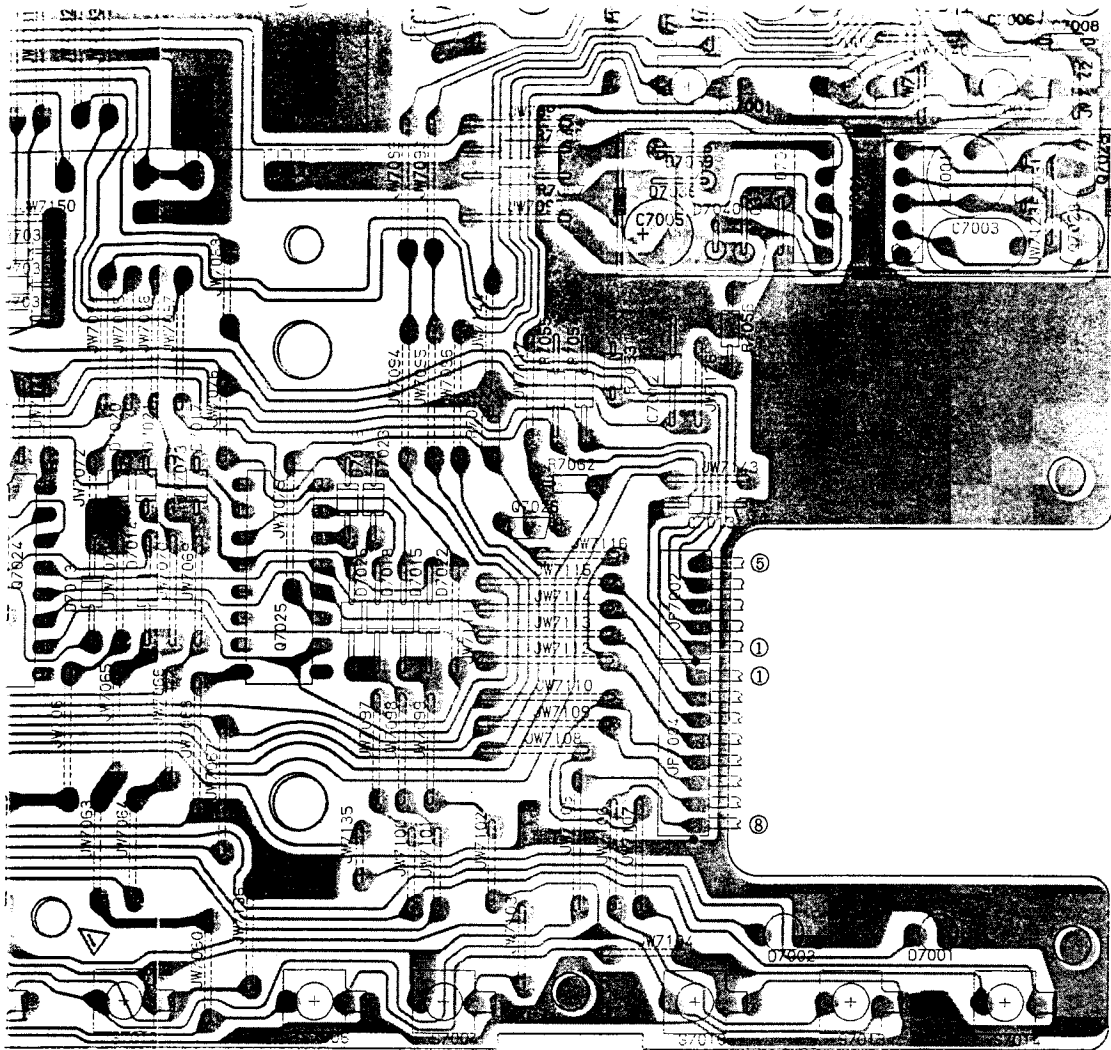
2SD667C  
(Q7028, 7029)



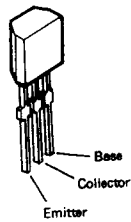
BA1A4P  
(Q7002, 7003, 7004,  
7005, 7006, 7007,  
7008, 7009, 7010,  
7011, 7012, 7013,  
7014, 7015, 7016,  
7017, 7018, 7019,  
7020, 7021, 7022,  
7023, 7026)



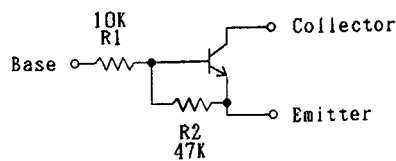
BA1A4P CIRCUIT



("component" side)



BA1A4P  
 (Q7002, 7003, 7004,  
 7005, 7006, 7007,  
 7008, 7009, 7010,  
 7011, 7012, 7013,  
 7014, 7015, 7016,  
 7017, 7018, 7019,  
 7020, 7021, 7022,  
 7023, 7026)

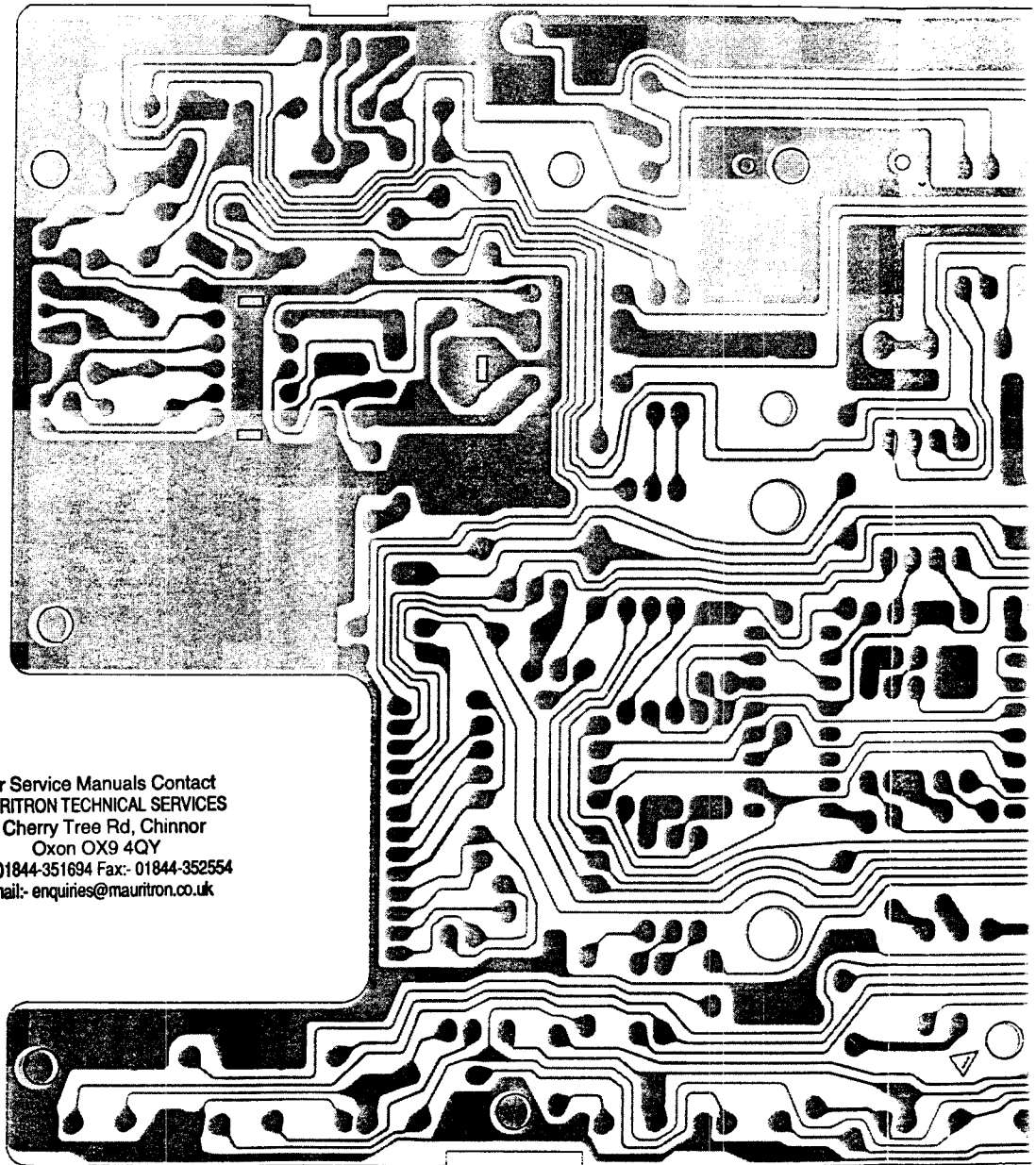


BA1A4P CIRCUIT DIAGRAM

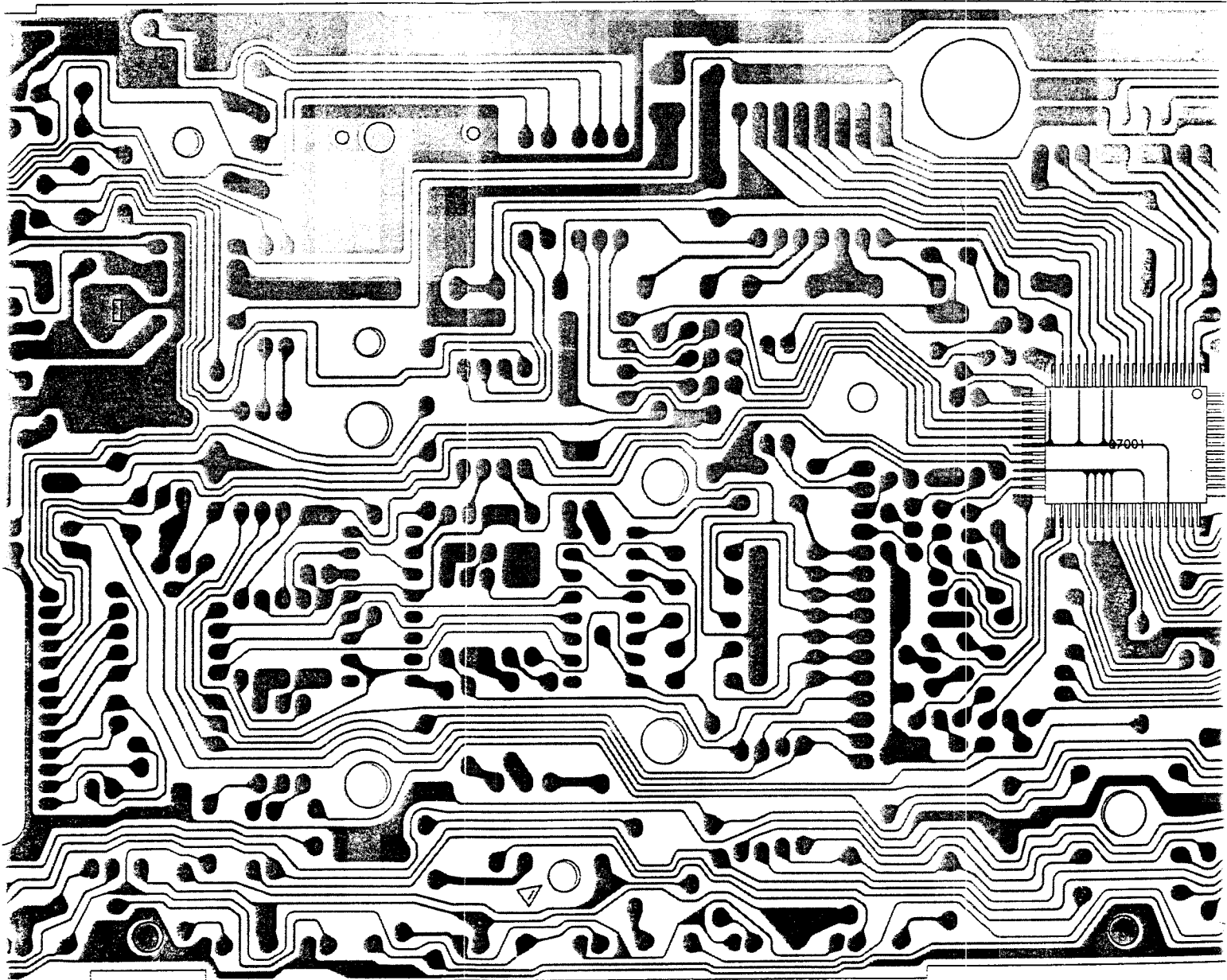
DISPLAY UNIT

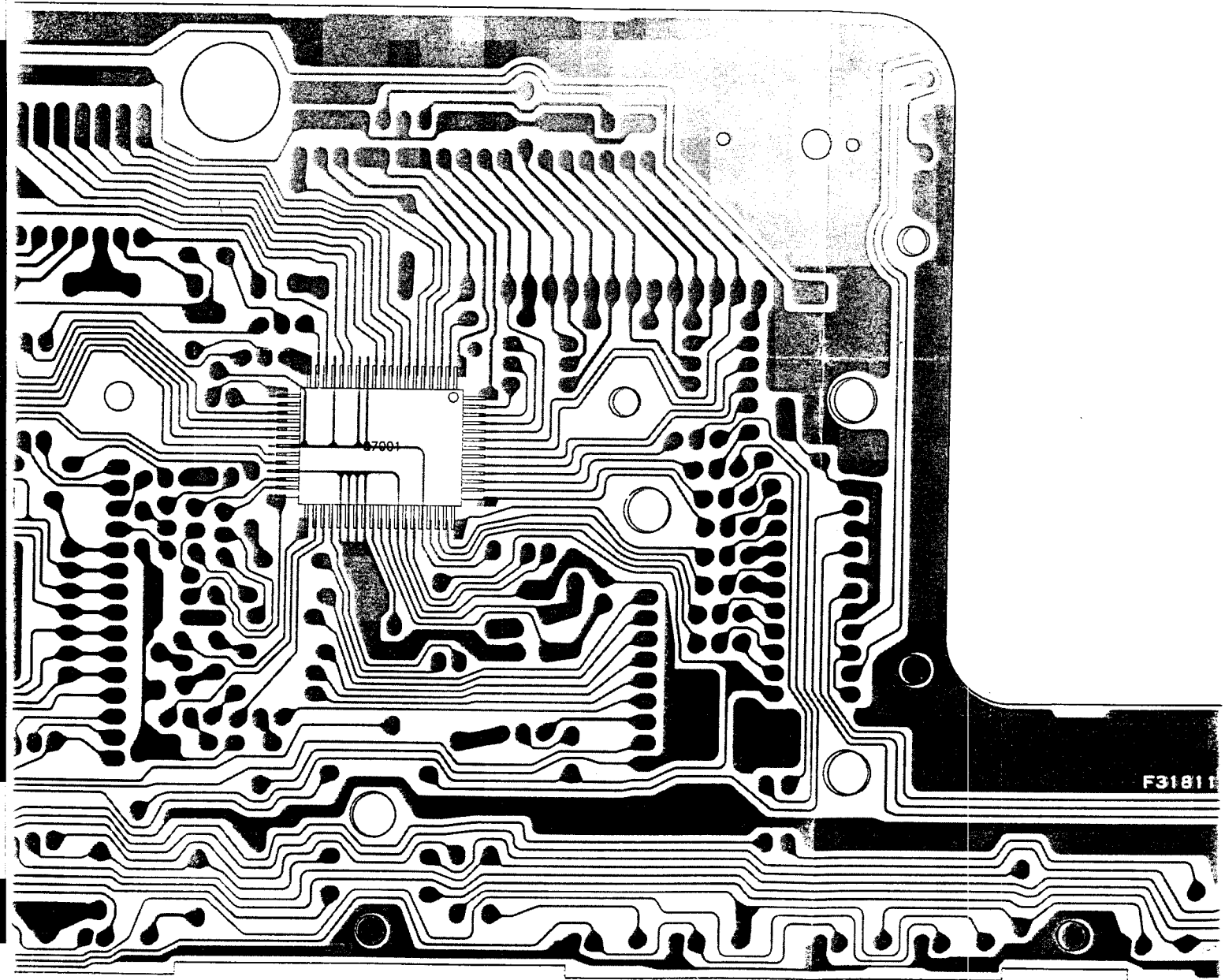
# Display Unit

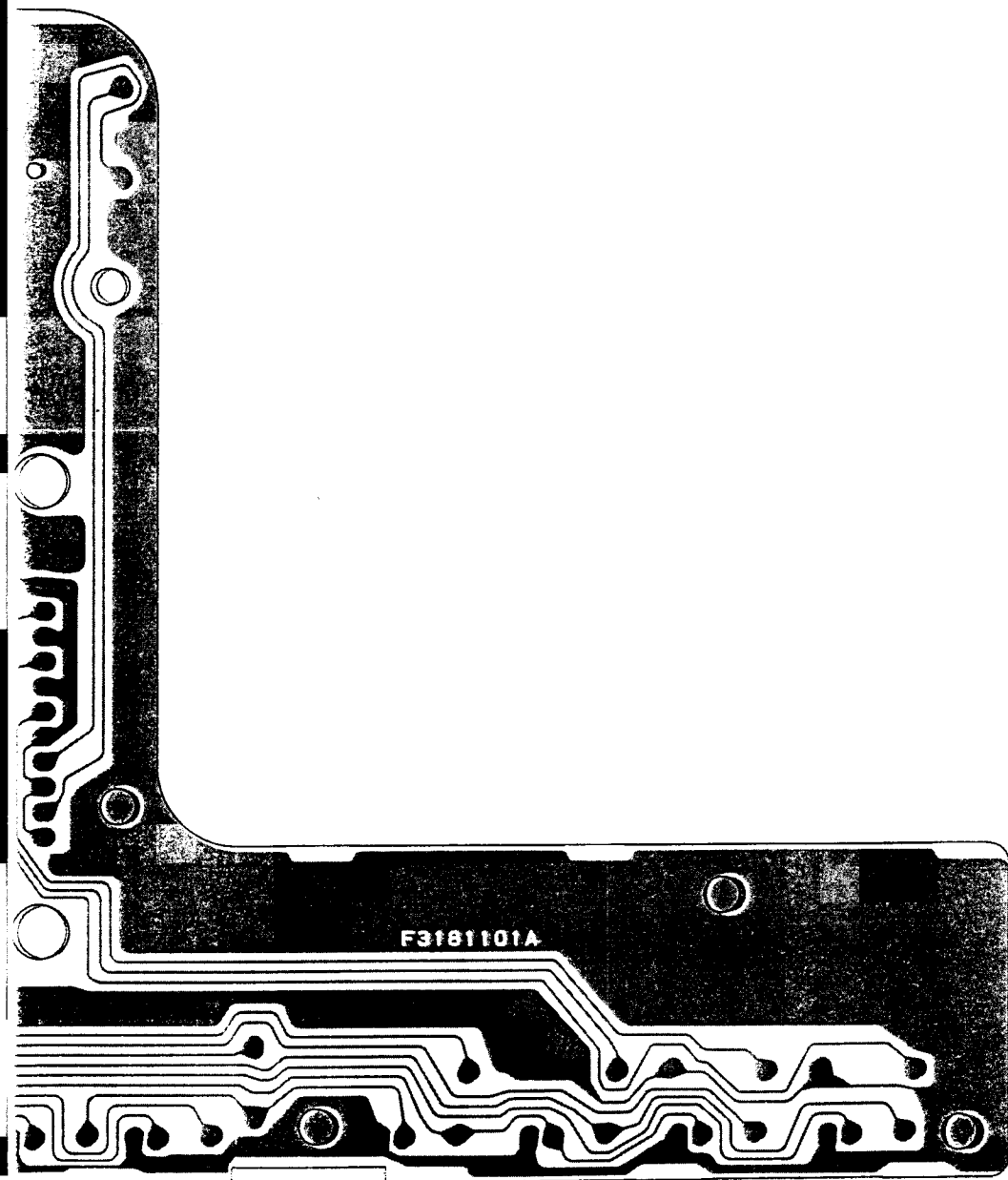
---



For Service Manuals Contact  
MAURITRON TECHNICAL SERVICES  
8 Cherry Tree Rd, Chinnor  
Oxon OX9 4QY  
Tel:- 01844-351694 Fax:- 01844-352554  
Email:- enquiries@mauritron.co.uk

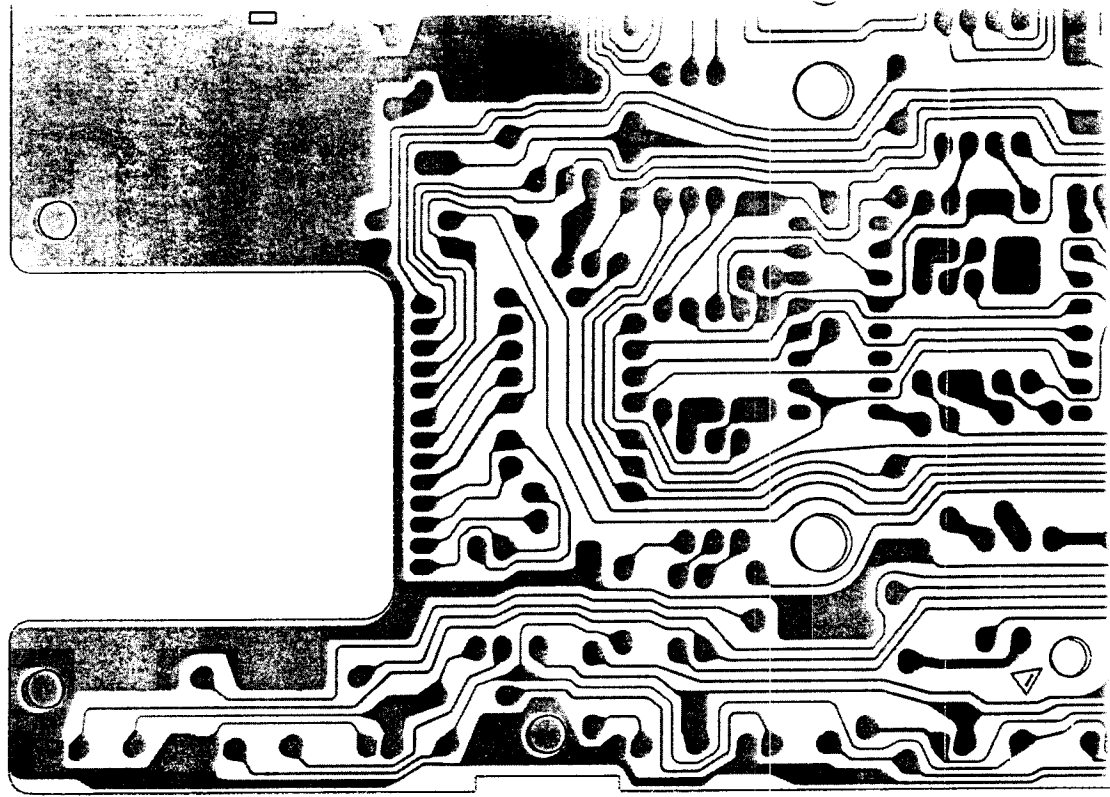


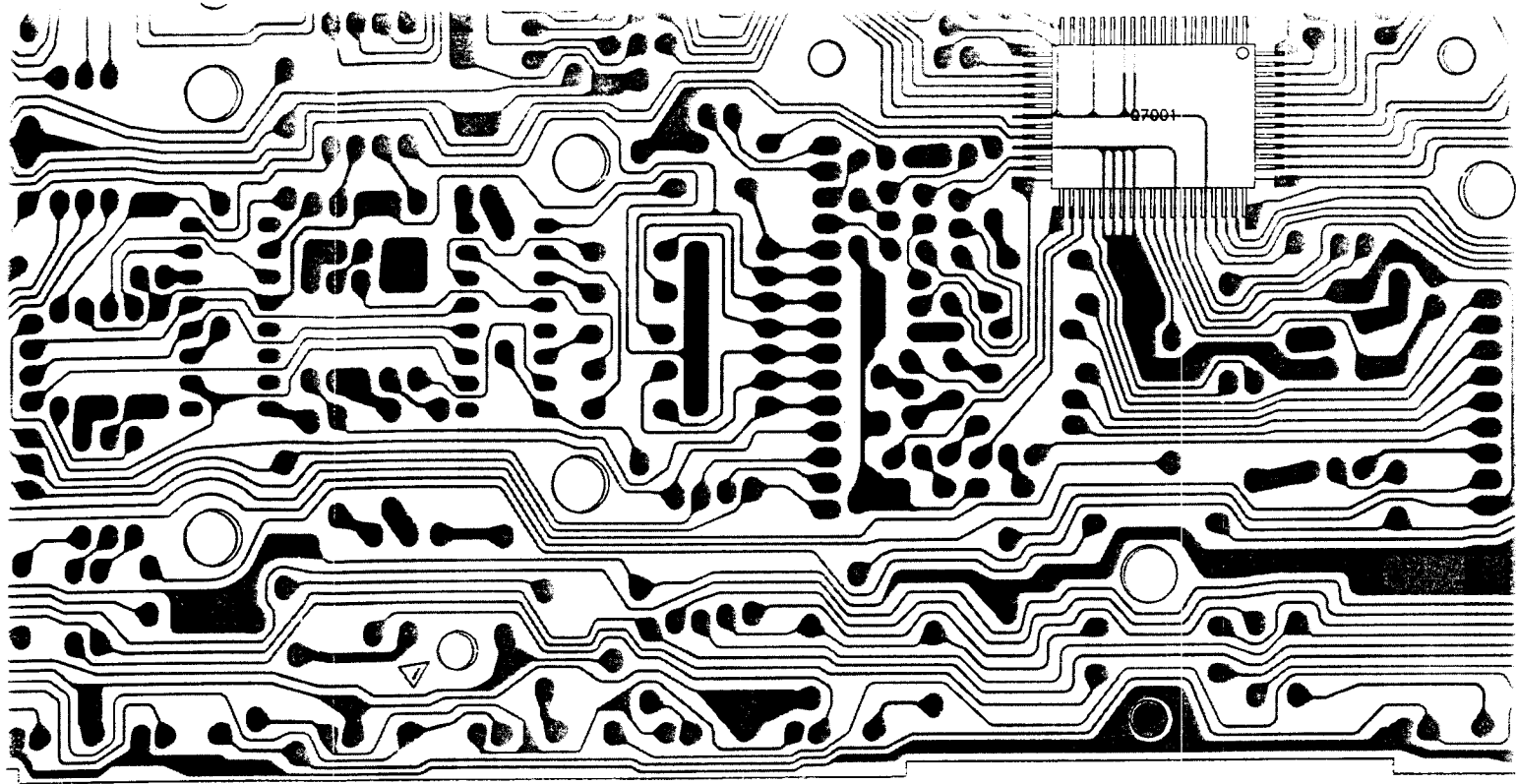


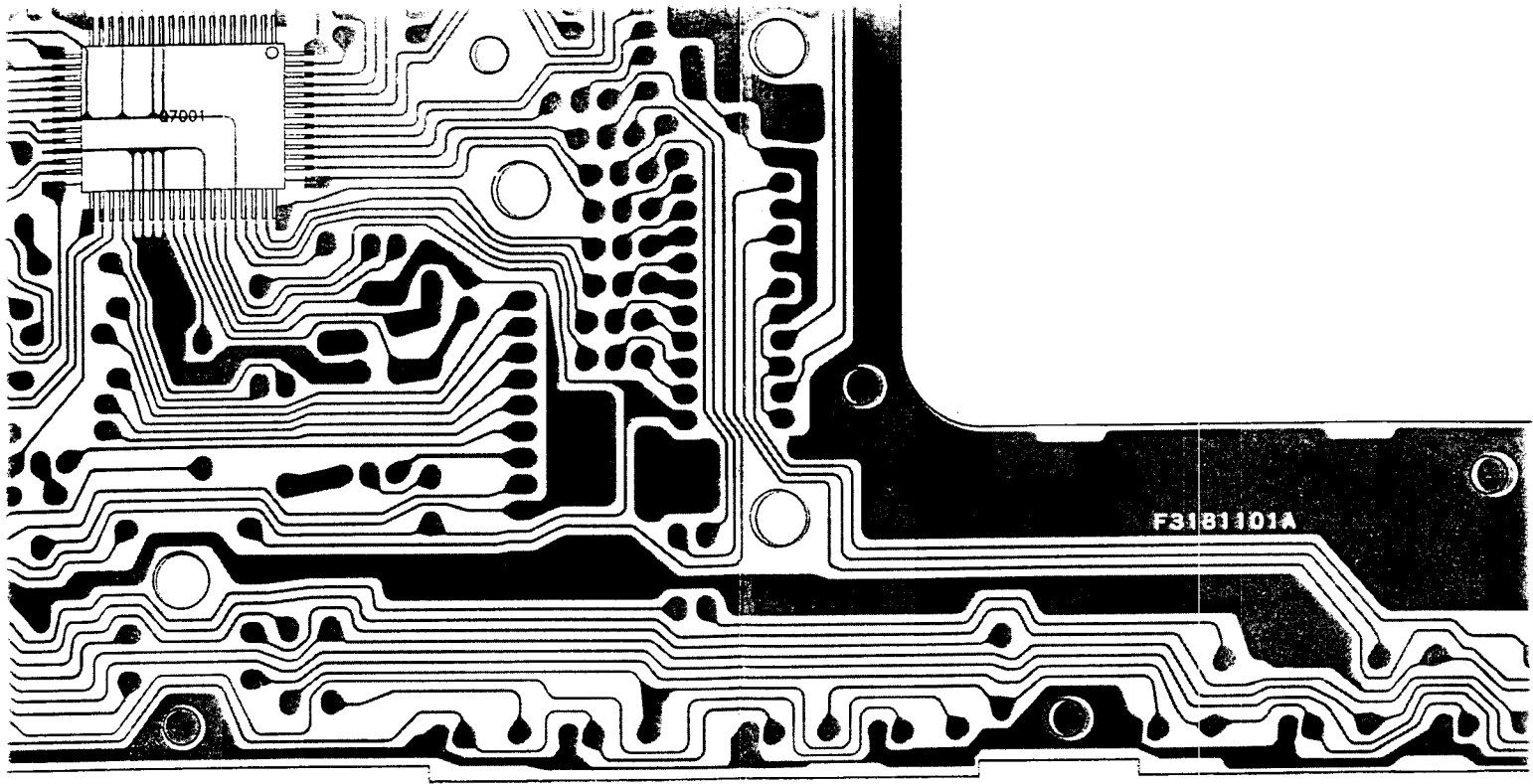


("chip only" side)

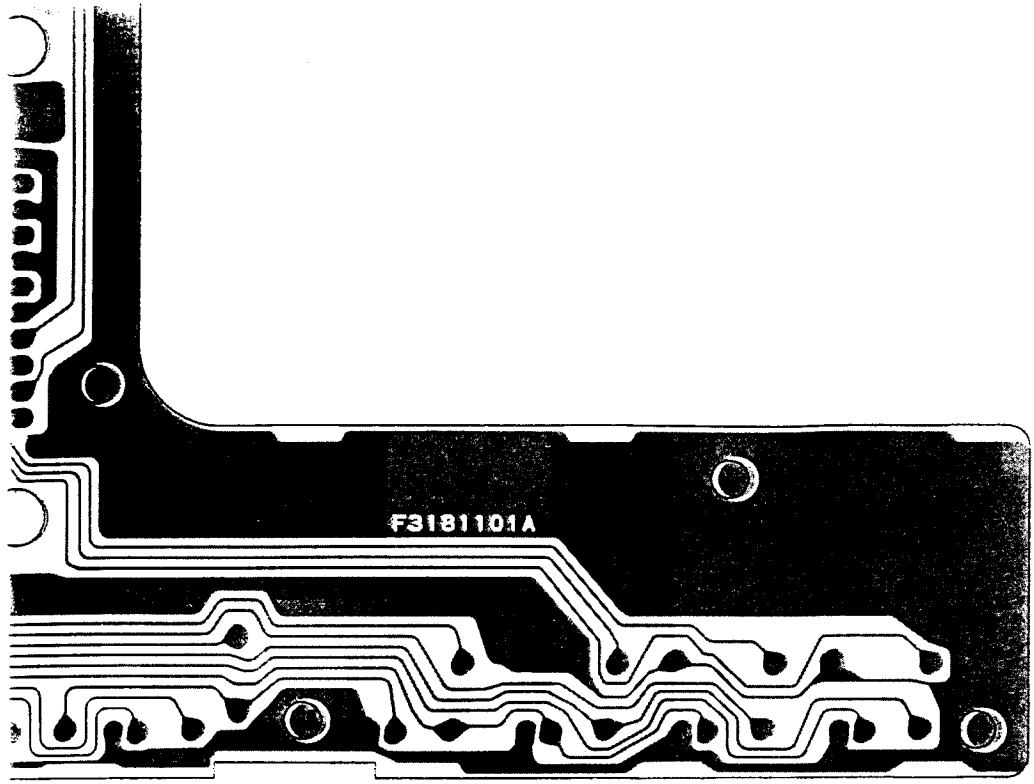








For Service Manuals Contact  
**MAURITRON TECHNICAL SERVICES**  
8 Cherry Tree Rd, Chinnor  
Oxon OX9 4QY  
Tel:- 01844-351694 Fax:- 01844-352554  
Email:- [enquiries@mauritron.co.uk](mailto:enquiries@mauritron.co.uk)



F3181101A

("chip only" side)

# Display Unit

REF.	YAESU P/N	DESCRIPTION	MFGR'S DESIG	VALUE	WV	TOL.	VERS.
*** DISPLAY UNIT ***							
	CA0262001	P.C.B. W COMP.					
	F3181101A	P.C.B. W/O COMP.					
C 7001	K26170079	CERAMIC CAP.	DD104-289SL330J50	33pF	50V		SL
C 7002	K26170079	CERAMIC CAP.	DD104-289SL330J50	33pF	50V		SL
C 7003	K50177683	FILM CAP.	50F2U683M	0.068	50V		
C 7005	K46170024	AL. ELECTRO. CAP.	50V470M6X11TR5	47uF	50V		
C 7006	K40129048	AL. ELECTRO. CAP.	RE2-16V221M	220uF	16V		
C 7007	K28129001	CERAMIC CAP.	EP050Y103N-A	0.01uF	16V		Y
C 7008	K28179002	CERAMIC CAP.	UP050F473Z-A-B	0.047uF	50V		F
C 7009	K46120004	AL. ELECTRO. CAP.	16V100M4X7TR2	10uF	16V		
C 7010	K28129001	CERAMIC CAP.	EP050Y103N-A	0.01uF	16V		Y
C 7011	K28129001	CERAMIC CAP.	EP050Y103N-A	0.01uF	16V		Y
C 7012	K28129001	CERAMIC CAP.	EP050Y103N-A	0.01uF	16V		Y
C 7013	K28129001	CERAMIC CAP.	EP050Y103N-A	0.01uF	16V		Y
C 7014	K40129048	AL. ELECTRO. CAP.	RE2-16V221M	220uF	16V		
C 7015	K46120004	AL. ELECTRO. CAP.	16V100M4X7TR2	10uF	16V		
D 7001	G2050011	LED	LT3N44D				
D 7002	G2050011	LED	LT3N44D				
D 7003	G2050011	LED	LT3N44D				
D 7004	G2050012	LED	LT3S44D				
D 7005	G2050011	LED	LT3N44D				
D 7006	G2050011	LED	LT3N44D				
D 7007	G2050011	LED	LT3N44D				
D 7008	G2050010	LED	LT3P44D				
D 7009	G2050010	LED	LT3P44D				
D 7010	G2050012	LED	LT3S44D				
D 7011	G2050011	LED	LT3N44D				
D 7012	G2060004	DIODE	1SS270TJ				
D 7013	G2060004	DIODE	1SS270TJ				
D 7014	G2060004	DIODE	1SS270TJ				
D 7015	G2060004	DIODE	1SS270TJ				
D 7016	G2060004	DIODE	1SS270TJ				
D 7017	G2060004	DIODE	1SS270TJ				
D 7018	G2060004	DIODE	1SS270TJ				
D 7019	G2060004	DIODE	1SS270TJ				
D 7020	G2060004	DIODE	1SS270TJ				
D 7021	G2060004	DIODE	1SS270TJ				
D 7022	G2060004	DIODE	1SS270TJ				
D 7023	G2060004	DIODE	1SS270TJ				
D 7024	G2060004	DIODE	1SS270TJ				
D 7025	G2060004	DIODE	1SS270TJ				
D 7026	G2060004	DIODE	1SS270TJ				
D 7027	G2060004	DIODE	1SS270TJ				
D 7028	G2060004	DIODE	1SS270TJ				
D 7029	G2060004	DIODE	1SS270TJ				
D 7030	G2060004	DIODE	1SS270TJ				
D 7031	G2060004	DIODE	1SS270TJ				
D 7032	G2060004	DIODE	1SS270TJ				
D 7033	G2060004	DIODE	1SS270TJ				
D 7034	G2060004	DIODE	1SS270TJ				

For Service Manuals Contact  
**MAURITRON TECHNICAL SERVICES**  
 8 Cherry Tree Rd, Chinnor  
 Oxon OX9 4QY  
 Tel:- 01844-351694 Fax:- 01844-352554  
 Email:- enquiries@mauritron.co.uk

# Display Unit

REF.	YAESU P/N	DESCRIPTION	MFGR'S DESIG	VALUE	WV	TOL.	VERS.
D 7035	G2060004	DIODE	1SS270TJ				
D 7036	G2050007	DIODE	1SS83RE				
D 7037	G2050007	DIODE	1SS83RE				
D 7038	G2050007	DIODE	1SS83RE				
D 7039	G2050007	DIODE	1SS83RE				
D 7040	G2090154	DIODE	RD7.5EB1				
DS7001	G6090081	FCD	FIP14DM9				
J 7003	P0090774	CONNECTOR	SB15P-HVQ-A				
J 7005	P0090773	CONNECTOR	SB09P-HVQ-A				
JP7001	T9206021	WIRE-ASSY					
JP7002	T9206020	WIRE-ASSY					
JP7004	T9206019	WIRE-ASSY					
L 7001	L1190382	M. RFC	RCR-875D-222K	2.2m			
L 7002	L1790070	M. RFC	LAP02TA101K	100uH			
Q 7001	G1091170	IC	HD404728A22FS				
Q 7002	G3050003	TRANSISTOR	BA1A4P-T				
Q 7003	G3050003	TRANSISTOR	BA1A4P-T				
Q 7004	G3050003	TRANSISTOR	BA1A4P-T				
Q 7005	G3050003	TRANSISTOR	BA1A4P-T				
Q 7006	G3050003	TRANSISTOR	BA1A4P-T				
Q 7007	G3050003	TRANSISTOR	BA1A4P-T				
Q 7008	G3050003	TRANSISTOR	BA1A4P-T				
Q 7009	G3050003	TRANSISTOR	BA1A4P-T				
Q 7010	G3050003	TRANSISTOR	BA1A4P-T				
Q 7011	G3050003	TRANSISTOR	BA1A4P-T				
Q 7012	G3050003	TRANSISTOR	BA1A4P-T				
Q 7013	G3050003	TRANSISTOR	BA1A4P-T				
Q 7014	G3050003	TRANSISTOR	BA1A4P-T				
Q 7015	G3050003	TRANSISTOR	BA1A4P-T				
Q 7016	G3050003	TRANSISTOR	BA1A4P-T				
Q 7017	G3050003	TRANSISTOR	BA1A4P-T				
Q 7018	G3050003	TRANSISTOR	BA1A4P-T				
Q 7019	G3050003	TRANSISTOR	BA1A4P-T				
Q 7020	G3050003	TRANSISTOR	BA1A4P-T				
Q 7021	G3050003	TRANSISTOR	BA1A4P-T				
Q 7022	G3050003	TRANSISTOR	BA1A4P-T				
Q 7023	G3050003	TRANSISTOR	BA1A4P-T				
Q 7024	G1090088	IC	MC14028BCP				
Q 7025	G1090088	IC	MC14028BCP				
Q 7026	G3050003	TRANSISTOR	BA1A4P-T				
Q 7028	G3406670C	TRANSISTOR	2SD667C				
Q 7029	G3406670C	TRANSISTOR	2SD667C				
R 7001	J07225473	CARBON FILM RES.	RD16TPJ473	47K		1/6W	
R 7002	J07225473	CARBON FILM RES.	RD16TPJ473	47K		1/6W	
R 7003	J07225473	CARBON FILM RES.	RD16TPJ473	47K		1/6W	
R 7004	J07225473	CARBON FILM RES.	RD16TPJ473	47K		1/6W	
R 7005	J07225473	CARBON FILM RES.	RD16TPJ473	47K		1/6W	
R 7006	J07225473	CARBON FILM RES.	RD16TPJ473	47K		1/6W	
R 7007	J07225473	CARBON FILM RES.	RD16TPJ473	47K		1/6W	

# Display Unit

REF.	YAESU P/N	DESCRIPTION	MFR'S DESIG	VALUE	WV	TOL.	VERS.
R 7008	J07225473	CARBON FILM RES.	RD16TPJ473	47K	1/6W		
R 7009	J07225473	CARBON FILM RES.	RD16TPJ473	47K	1/6W		
R 7010	J07225473	CARBON FILM RES.	RD16TPJ473	47K	1/6W		
R 7011	J07225473	CARBON FILM RES.	RD16TPJ473	47K	1/6W		
R 7012	J07225473	CARBON FILM RES.	RD16TPJ473	47K	1/6W		
R 7013	J07225473	CARBON FILM RES.	RD16TPJ473	47K	1/6W		
R 7014	J07225473	CARBON FILM RES.	RD16TPJ473	47K	1/6W		
R 7015	J07225473	CARBON FILM RES.	RD16TPJ473	47K	1/6W		
R 7016	J07225473	CARBON FILM RES.	RD16TPJ473	47K	1/6W		
R 7017	J07225473	CARBON FILM RES.	RD16TPJ473	47K	1/6W		
R 7018	J07225473	CARBON FILM RES.	RD16TPJ473	47K	1/6W		
R 7019	J07225473	CARBON FILM RES.	RD16TPJ473	47K	1/6W		
R 7020	J07225473	CARBON FILM RES.	RD16TPJ473	47K	1/6W		
R 7021	J07225473	CARBON FILM RES.	RD16TPJ473	47K	1/6W		
R 7022	J07225473	CARBON FILM RES.	RD16TPJ473	47K	1/6W		
R 7023	J07225105	CARBON FILM RES.	RD16TPJ105	1M	1/6W		
R 7024	J07225473	CARBON FILM RES.	RD16TPJ473	47K	1/6W		
R 7025	J07225473	CARBON FILM RES.	RD16TPJ473	47K	1/6W		
R 7026	J07225151	CARBON FILM RES.	RD16TPJ151	150	1/6W		
R 7027	J07225151	CARBON FILM RES.	RD16TPJ151	150	1/6W		
R 7028	J07225151	CARBON FILM RES.	RD16TPJ151	150	1/6W		
R 7029	J07225151	CARBON FILM RES.	RD16TPJ151	150	1/6W		
R 7030	J07225151	CARBON FILM RES.	RD16TPJ151	150	1/6W		
R 7031	J07225151	CARBON FILM RES.	RD16TPJ151	150	1/6W		
R 7032	J07225151	CARBON FILM RES.	RD16TPJ151	150	1/6W		
R 7033	J07225561	CARBON FILM RES.	RD16TPJ561	560	1/6W		
R 7034	J07225561	CARBON FILM RES.	RD16TPJ561	560	1/6W		
R 7035	J07225151	CARBON FILM RES.	RD16TPJ151	150	1/6W		
R 7036	J07225151	CARBON FILM RES.	RD16TPJ151	150	1/6W		
R 7037	J07225181	CARBON FILM RES.	RD16TPJ181	180	1/6W		
R 7038	J07225181	CARBON FILM RES.	RD16TPJ181	180	1/6W		
R 7039	J07225181	CARBON FILM RES.	RD16TPJ181	180	1/6W		
R 7040	J07225181	CARBON FILM RES.	RD16TPJ181	180	1/6W		
R 7041	J07225181	CARBON FILM RES.	RD16TPJ181	180	1/6W		
R 7042	J07225181	CARBON FILM RES.	RD16TPJ181	180	1/6W		
R 7043	J07225181	CARBON FILM RES.	RD16TPJ181	180	1/6W		
R 7044	J07225473	CARBON FILM RES.	RD16TPJ473	47K	1/6W		
R 7047	J07225181	CARBON FILM RES.	RD16TPJ181	180	1/6W		
R 7048	J07225181	CARBON FILM RES.	RD16TPJ181	180	1/6W		
R 7049	J07225181	CARBON FILM RES.	RD16TPJ181	180	1/6W		
R 7050	J07225181	CARBON FILM RES.	RD16TPJ181	180	1/6W		
R 7051	J07225332	CARBON FILM RES.	RD16TPJ332	3.3K	1/6W		
R 7052	J07225473	CARBON FILM RES.	RD16TPJ473	47K	1/6W		
R 7053	J07225473	CARBON FILM RES.	RD16TPJ473	47K	1/6W		
R 7054	J07225473	CARBON FILM RES.	RD16TPJ473	47K	1/6W		
R 7055	J07225473	CARBON FILM RES.	RD16TPJ473	47K	1/6W		
R 7056	J07225473	CARBON FILM RES.	RD16TPJ473	47K	1/6W		
R 7057	J07225479	CARBON FILM RES.	RD16TPJ4R7	4.7	1/6W		
R 7058	J07225479	CARBON FILM RES.	RD16TPJ4R7	4.7	1/6W		
R 7059	J07225479	CARBON FILM RES.	RD16TPJ4R7	4.7	1/6W		
R 7060	J07225479	CARBON FILM RES.	RD16TPJ4R7	4.7	1/6W		
R 7061	J01275100	CARBON FILM RES.	RD12TJ100	10	1/2W		
R 7062	J07225104	CARBON FILM RES.	RD16TPJ104	100K	1/6W		
S 7001	N5090047	TACT SWITCH	EVQ-333 H=9.5				

For Service Manuals Contact  
**MAURITRON TECHNICAL SERVICES**  
 8 Cherry Tree Rd, Chinnor  
 Oxon OX9 4QY  
 Tel: 01844-351894 Fax: 01844-352554  
 Email: enquiries@mauritron.co.uk

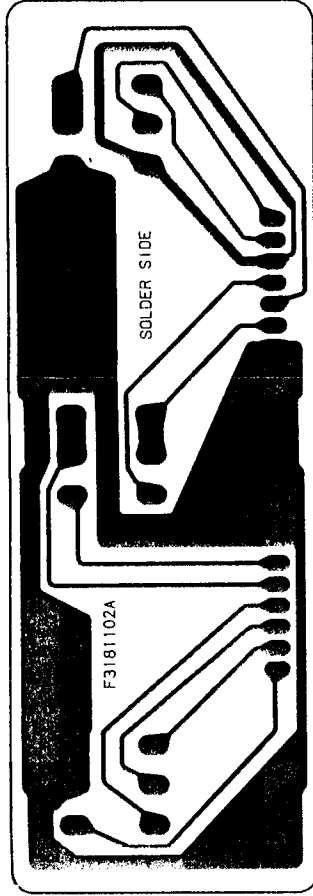
# Display Unit

REF.	YAESU P/N	DESCRIPTION	MFGR'S DESIG	VALUE	WV	TOL.	VERS.
S 7002	N5090047	TACT SWITCH	EVQ-333	H=9.5			
S 7003	N5090047	TACT SWITCH	EVQ-333	H=9.5			
S 7004	N5090047	TACT SWITCH	EVQ-333	H=9.5			
S 7005	N5090047	TACT SWITCH	EVQ-333	H=9.5			
S 7006	N5090047	TACT SWITCH	EVQ-333	H=9.5			
S 7007	N5090047	TACT SWITCH	EVQ-333	H=9.5			
S 7008	N5090047	TACT SWITCH	EVQ-333	H=9.5			
S 7009	N5090047	TACT SWITCH	EVQ-333	H=9.5			
S 7010	N5090047	TACT SWITCH	EVQ-333	H=9.5			
S 7011	N5090047	TACT SWITCH	EVQ-333	H=9.5			
S 7012	N5090047	TACT SWITCH	EVQ-333	H=9.5			
S 7013	N5090047	TACT SWITCH	EVQ-333	H=9.5			
S 7014	N5090047	TACT SWITCH	EVQ-333	H=9.5			
S 7015	N5090047	TACT SWITCH	EVQ-333	H=9.5			
S 7016	N5090047	TACT SWITCH	EVQ-333	H=9.5			
S 7017	N5090047	TACT SWITCH	EVQ-333	H=9.5			
S 7018	N5090047	TACT SWITCH	EVQ-333	H=9.5			
S 7019	N5090047	TACT SWITCH	EVQ-333	H=9.5			
S 7020	N5090047	TACT SWITCH	EVQ-333	H=9.5			
S 7021	N5090047	TACT SWITCH	EVQ-333	H=9.5			
S 7022	N5090047	TACT SWITCH	EVQ-333	H=9.5			
S 7023	N5090047	TACT SWITCH	EVQ-333	H=9.5			
T 7001	L3030136	TRANS.	2890	EI-127			
X 7001	H7900170	CERAMIC OSC	CSA4.	00MG5			
	R0136910	SHIELD CASE					
	S6000233	CIRCUIT BOARD SPACER	RSPLS-12L				
	S6000234	CIRCUIT BOARD SPACER	RSPS-12L				
	R3131740	FIP HOLDER					
	R3131750	FIP HOLDER					

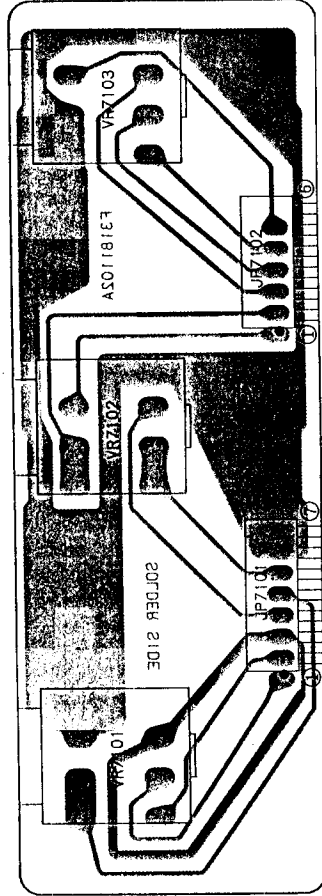
For Service Manuals Contact  
**MAURITRON TECHNICAL SERVICES**  
 8 Cherry Tree Rd, Chinnor  
 Oxon OX9 4QY  
 Tel:- 01844-351694 Fax:- 01844-352554  
 Email:- enquiries@mauritron.co.uk



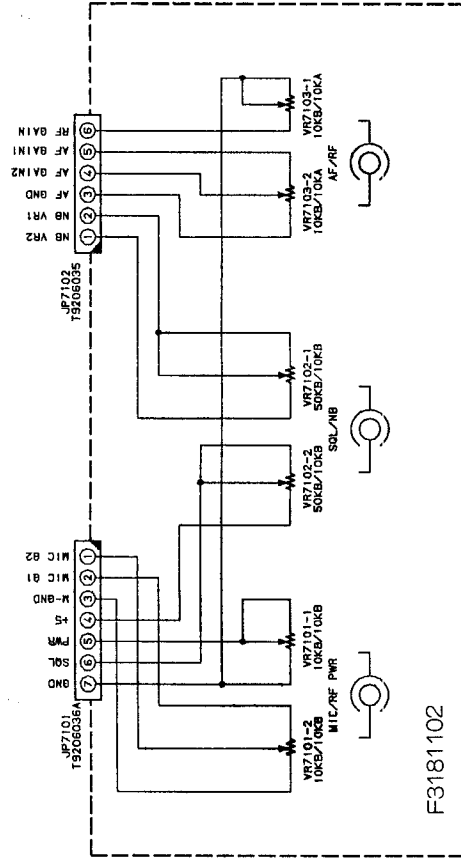
# Potentiometer (VR) Unit



("solder" side)



("component" side)

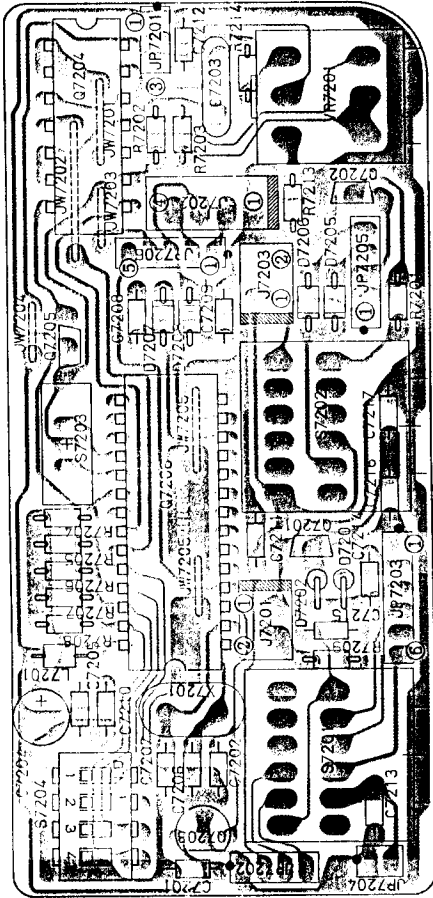


For Service Manuals Contact  
**MAURITRON TECHNICAL SERVICES**  
 8 Cherry Tree Rd, Chinnor  
 Oxon OX9 4QY  
 Tel: 01844-351694 Fax: 01844-352554  
 Email: enquiries@maurifron.co.uk

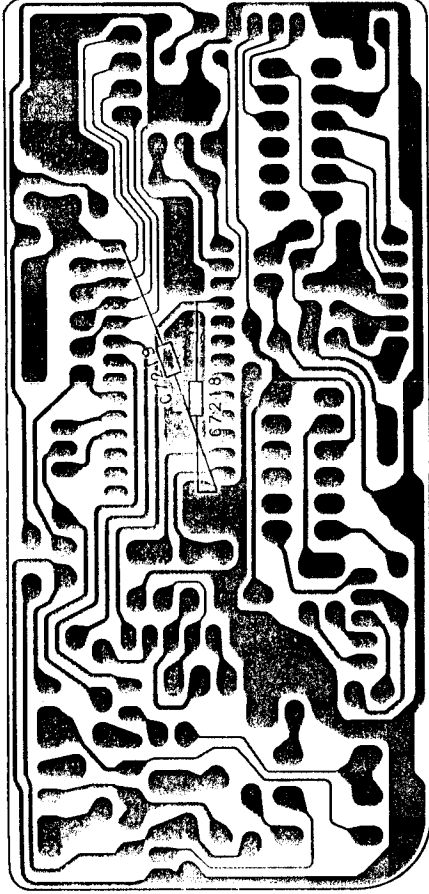
# Potentiometer (VR) Unit

REF.	YAESU P/N	DESCRIPTION	MFGR'S DESIG	VALUE	WV	TOL.	VERS.
		*** VR UNIT ***					
	CA0417001	P.C.B. W COMP.					
	F3181102	P.C.B. W/O COMP.					
JP7101	T9206036A	WIRE-ASSY					
JP7102	T9206035	WIRE-ASSY					
VR7101	J62800105	POT.	RK12	10KB/10KB			
VR7102	J62800109	POT.	RK1242210	50KB/10KB			
VR7103	J62800110	POT.	RK12	10KB/10KA			
	R0136870	FITTING					

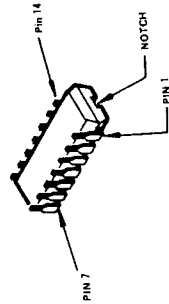
# Switch A (SW-A) Unit



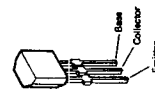
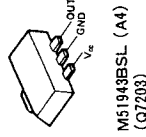
("component" side)



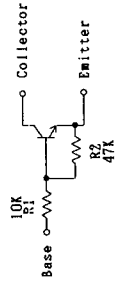
("chip only" side)



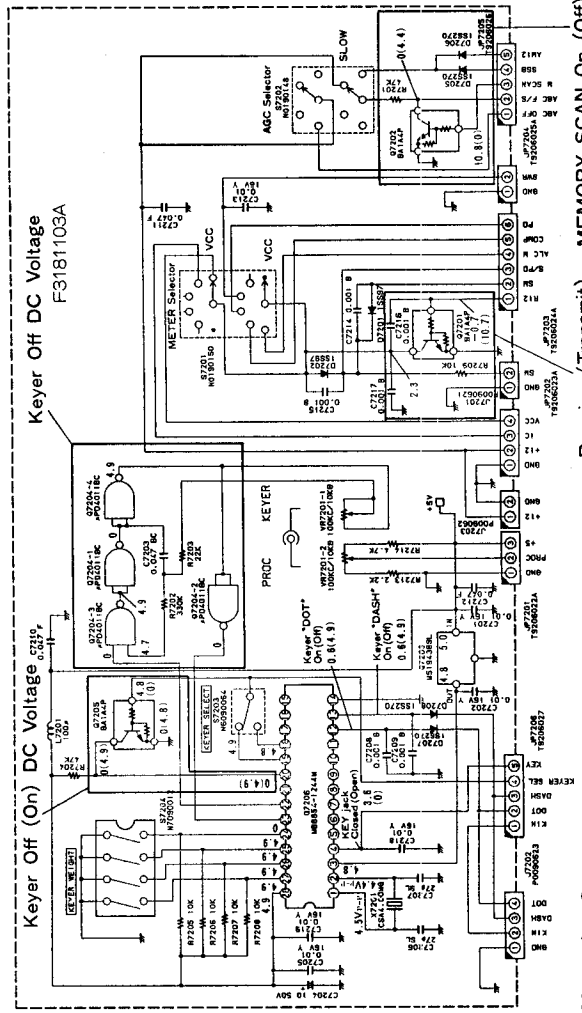
4PD4011BC  
(G7204)  
NIB8894-1244M  
(G7206)



BAI1A4P  
(G7201, 7202, 7205)



BAI1A4P CIRCUIT DIAGRAM



Measuring Conditions  
 METER Selector: VCC  
 AGC Selector: SLOW  
 Keyer Weight Switches: all Off  
 Keyer Selector Switch: position "2"

NOTE: RESISTOR VALUES ARE IN OHMS, CAPACITOR VALUES ARE IN P.F., UNLESS OTHERWISE NOTED.

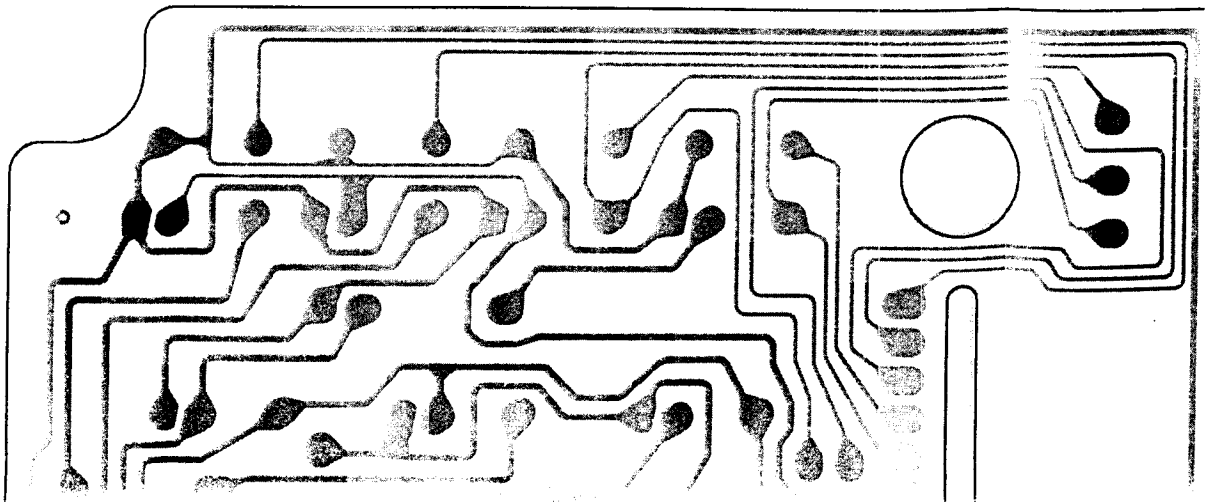
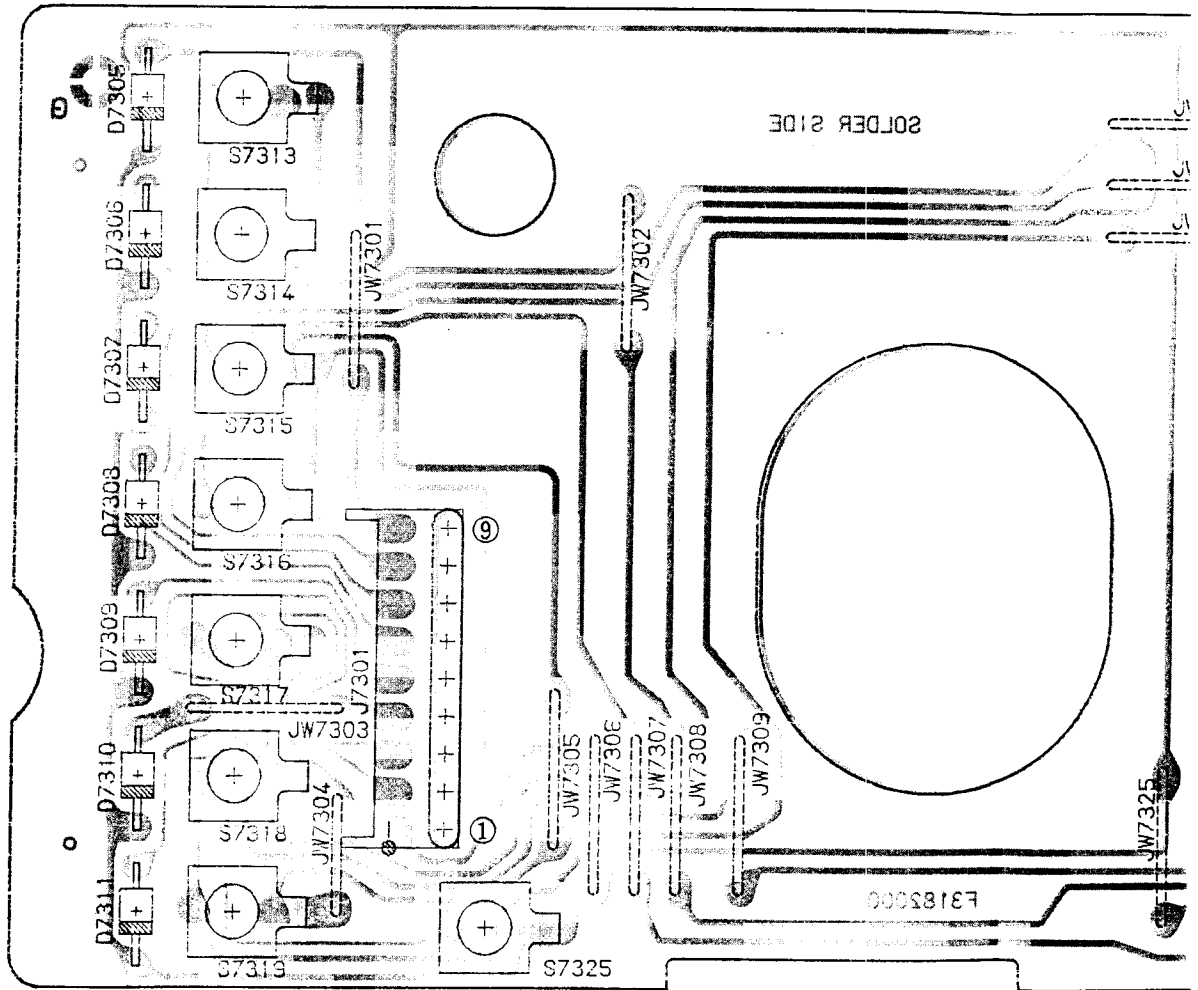
# Switch A (SW-A) Unit

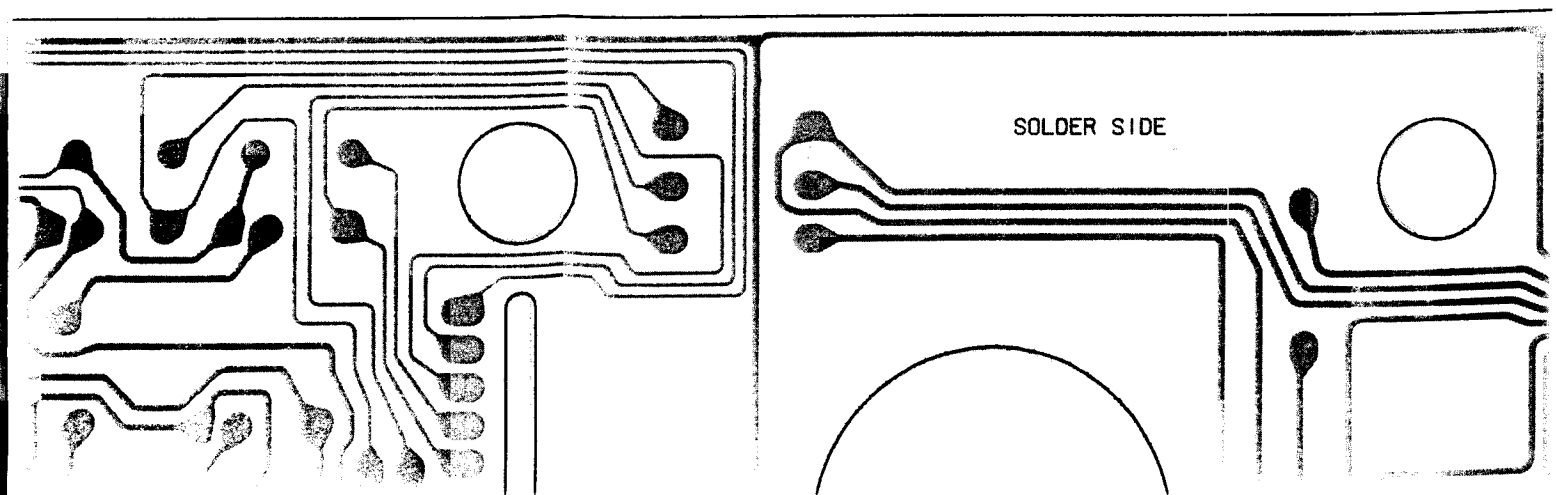
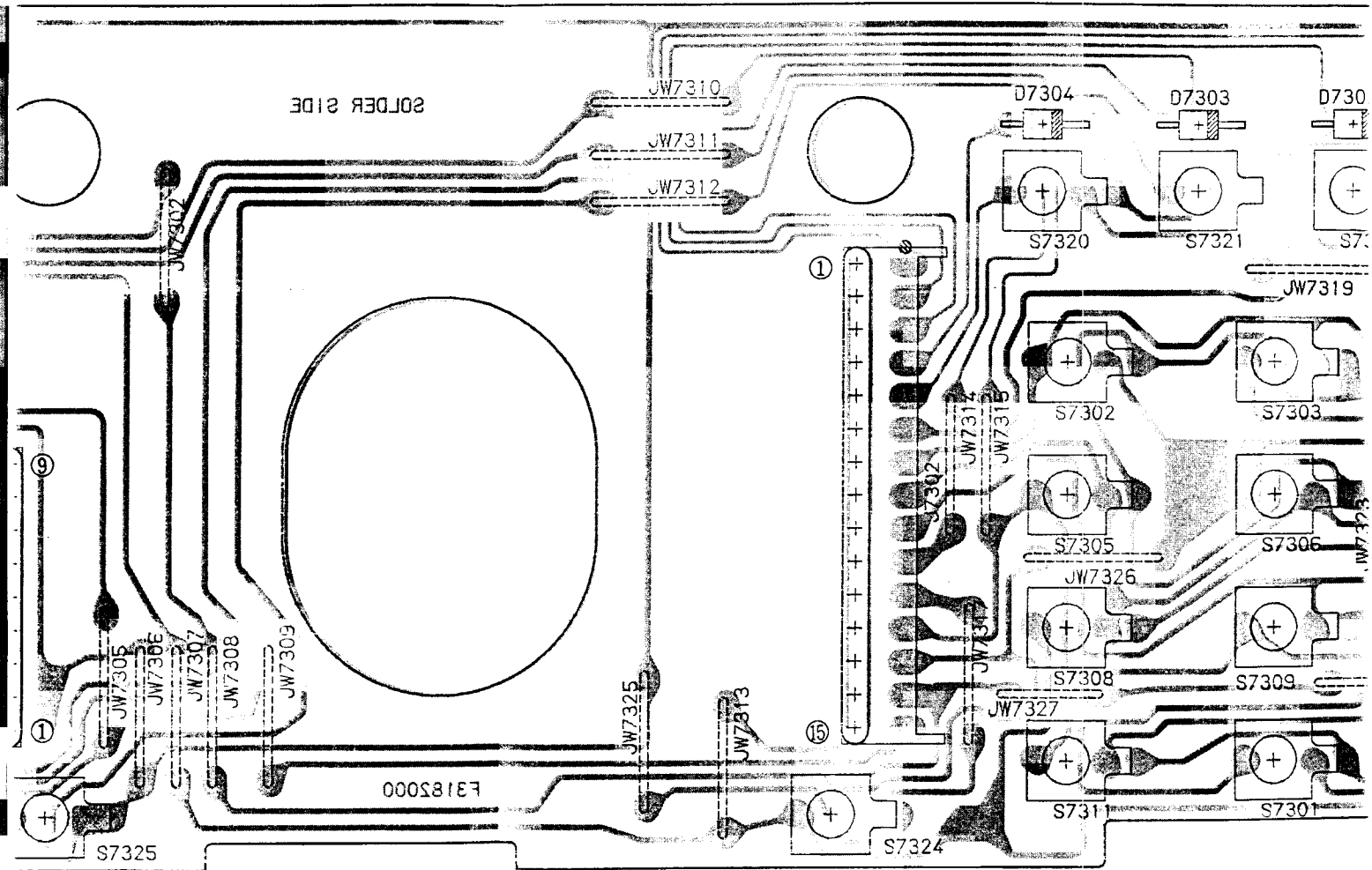
REF.	YAESU P/N	DESCRIPTION	MFGR'S DESIG	VALUE	WV	TOL.	VERS.
*** SW A UNIT ***							
	CA0416001	P.C.B. W COMP.					
	F3181103A	P.C.B. W/O COMP.					
C 7201	K28129001	CERAMIC CAP.	EP050Y103N-A	0.01uF	16V	Y	
C 7202	K28129001	CERAMIC CAP.	EP050Y103N-A	0.01uF	16V	Y	
C 7203	K26170758	CERAMIC CAP.	DD310-979BC473M50	0.047uF	50V	BC	
C 7204	K46170021	AL. ELECTRO. CAP.	50V100M5X11TR5	10uF	50V		
C 7205	K28129001	CERAMIC CAP.	EP050Y103N-A	0.01uF	16V	Y	
C 7206	K28179028	CERAMIC CAP.	UP050SL270J-A-B	27pF	50V	SL	
C 7207	K28179028	CERAMIC CAP.	UP050SL270J-A-B	27pF	50V	SL	
C 7208	K28179001	CERAMIC CAP.	UP050B102K-A-B	0.001uF	50V	B	
C 7209	K28179001	CERAMIC CAP.	UP050B102K-A-B	0.001uF	50V	B	
C 7210	K28179002	CERAMIC CAP.	UP050F473Z-A-B	0.047uF	50V	F	
C 7211	K28179002	CERAMIC CAP.	UP050F473Z-A-B	0.047uF	50V	F	
C 7212	K28179002	CERAMIC CAP.	UP050F473Z-A-B	0.047uF	50V	F	
C 7213	K28129001	CERAMIC CAP.	EP050Y103N-A	0.01uF	16V	Y	
C 7214	K28179001	CERAMIC CAP.	UP050B102K-A-B	0.001uF	50V	B	
C 7215	K28179001	CERAMIC CAP.	UP050B102K-A-B	0.001uF	50V	B	
C 7216	K28179001	CERAMIC CAP.	UP050B102K-A-B	0.001uF	50V	B	
C 7217	K28179001	CERAMIC CAP.	UP050B102K-A-B	0.001uF	50V	B	
C 7218	K28129001	CERAMIC CAP.	EP050Y103N-A	0.01uF	16V	Y	
C 7219	K28129001	CERAMIC CAP.	EP050Y103N-A	0.01uF	16V	Y	
D 7201	G2090118	DIODE	1SS97				
D 7202	G2090118	DIODE	1SS97				
D 7205	G2060004	DIODE	1SS270TJ				
D 7206	G2060004	DIODE	1SS270TJ				
D 7207	G2060004	DIODE	1SS270TJ				
D 7208	G2060004	DIODE	1SS270TJ				
J 7201	P0090621	CONNECTOR	SC25-02WS				
J 7202	P0090623	CONNECTOR	SC25-04WS				
J 7203	P0090621	CONNECTOR	SC25-02WS				
JP7201	T9206022A	WIRE-ASSY					
JP7202	T9206023A	WIRE-ASSY					
JP7203	T9206024A	WIRE-ASSY					
JP7204	T9206025A	WIRE-ASSY					
JP7205	T9206026	WIRE-ASSY					
JP7206	T9206027	WIRE-ASSY					
L 7201	L1790070	M. RFC	LAP02TA101K	100uH			
Q 7201	G3050003	TRANSISTOR	BA1A4P-T				
Q 7202	G3050003	TRANSISTOR	BA1A4P-T				
Q 7203	G1090840	IC	M51943BSL				
Q 7204	G1090282	IC	UPD4011BC				
Q 7205	G3050003	TRANSISTOR	BA1A4P-T				
Q 7206	G1090999	IC	MB8854-1244M				
R 7201	J07225473	CARBON FILM RES.	RD16TPJ473	47K	1/6W		
R 7202	J07225334	CARBON FILM RES.	RD16TPJ334	330K	1/6W		

# Switch A (SW-A) Unit

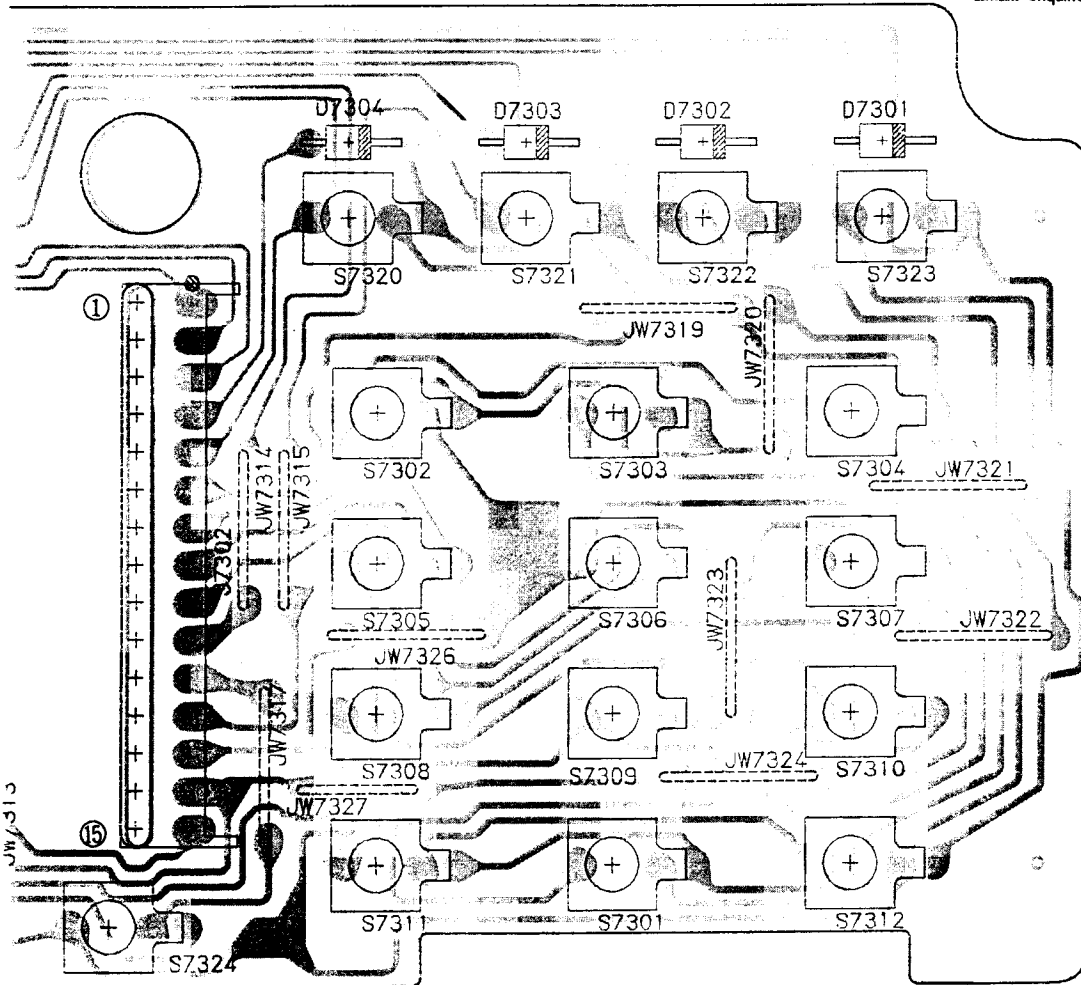
REF.	YAESU P/N	DESCRIPTION	MFGR'S DESIG	VALUE	WV	TOL.	VERS.
R 7203	J07225223	CARBON FILM RES.	RD16TPJ223	22K	1/6W		
R 7204	J07225473	CARBON FILM RES.	RD16TPJ473	47K	1/6W		
R 7205	J07225103	CARBON FILM RES.	RD16TPJ103	10K	1/6W		
R 7206	J07225103	CARBON FILM RES.	RD16TPJ103	10K	1/6W		
R 7207	J07225103	CARBON FILM RES.	RD16TPJ103	10K	1/6W		
R 7208	J07225103	CARBON FILM RES.	RD16TPJ103	10K	1/6W		
R 7209	J07225103	CARBON FILM RES.	RD16TPJ103	10K	1/6W		
R 7213	J07225222	CARBON FILM RES.	RD16TPJ222	2. 2K	1/6W		
R 7214	J07225472	CARBON FILM RES.	RD16TPJ472	4. 7K	1/6W		
S 7201	N0190150	ROTARY SWITCH	SRBU16				
S 7202	N0190148	ROTARY SWITCH	SRBU14				
S 7203	N6090064	SLIDE SWITCH	SS912				
S 7204	N7090012	DIP SWITCH	SCS-04A R66-3245				
VR7201	J62800107	POT.	RK1242210	100KC/10KB			
X 7201	H7900170	CERAMIC OSC	CSA4. 00MG5				
	R0136880	FITTING					

For Service Manuals Contact  
**MAURITRON TECHNICAL SERVICES**  
 8 Cherry Tree Rd, Chinnor  
 Oxon OX9 4QY  
 Tel:- 01844-351694 Fax:- 01844-352554  
 Email:- enquiries@mauritron.co.uk

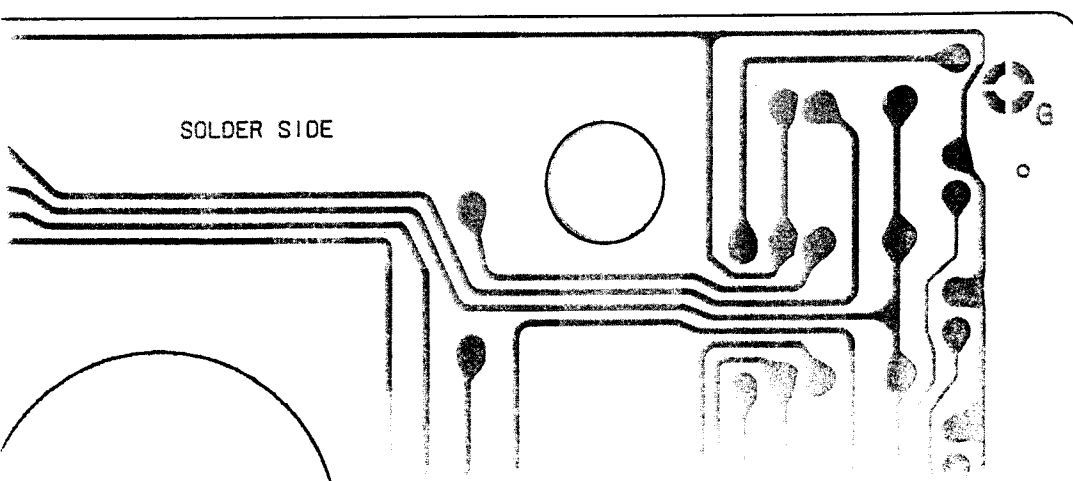




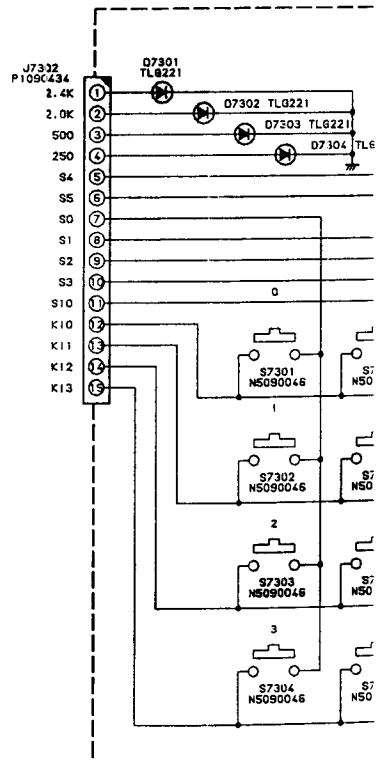
For Service Manuals Contact  
**MAURITRON TECHNICAL SERVICES**  
 8 Cherry Tree Rd, Chinnor  
 Oxon OX9 4QY  
 Tel:- 01844-351694 Fax:- 01844-352554  
 Email:- enquiries@mauritron.co.uk



("component" side)



SOLDER SIDE



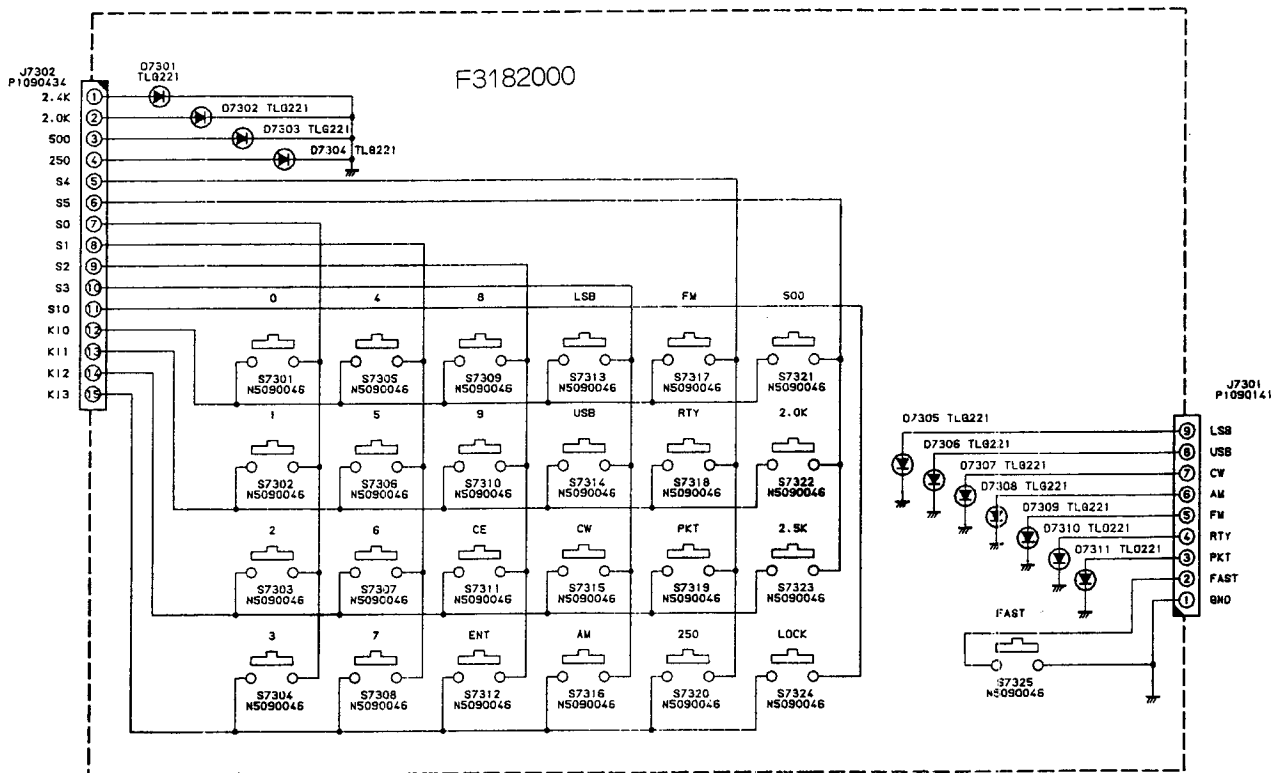


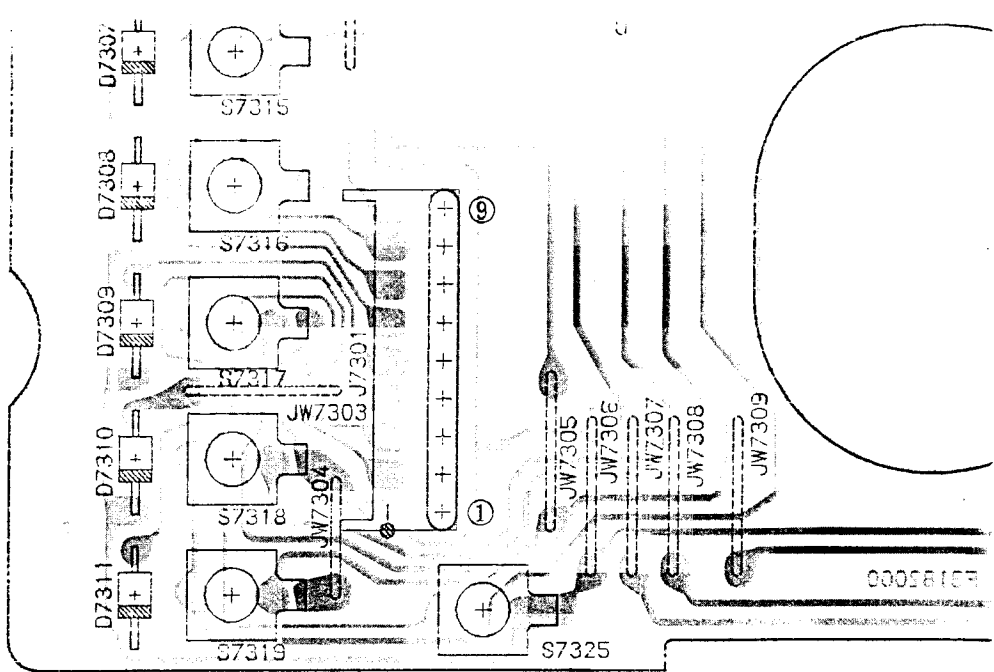
# Key(pad) Unit

7321

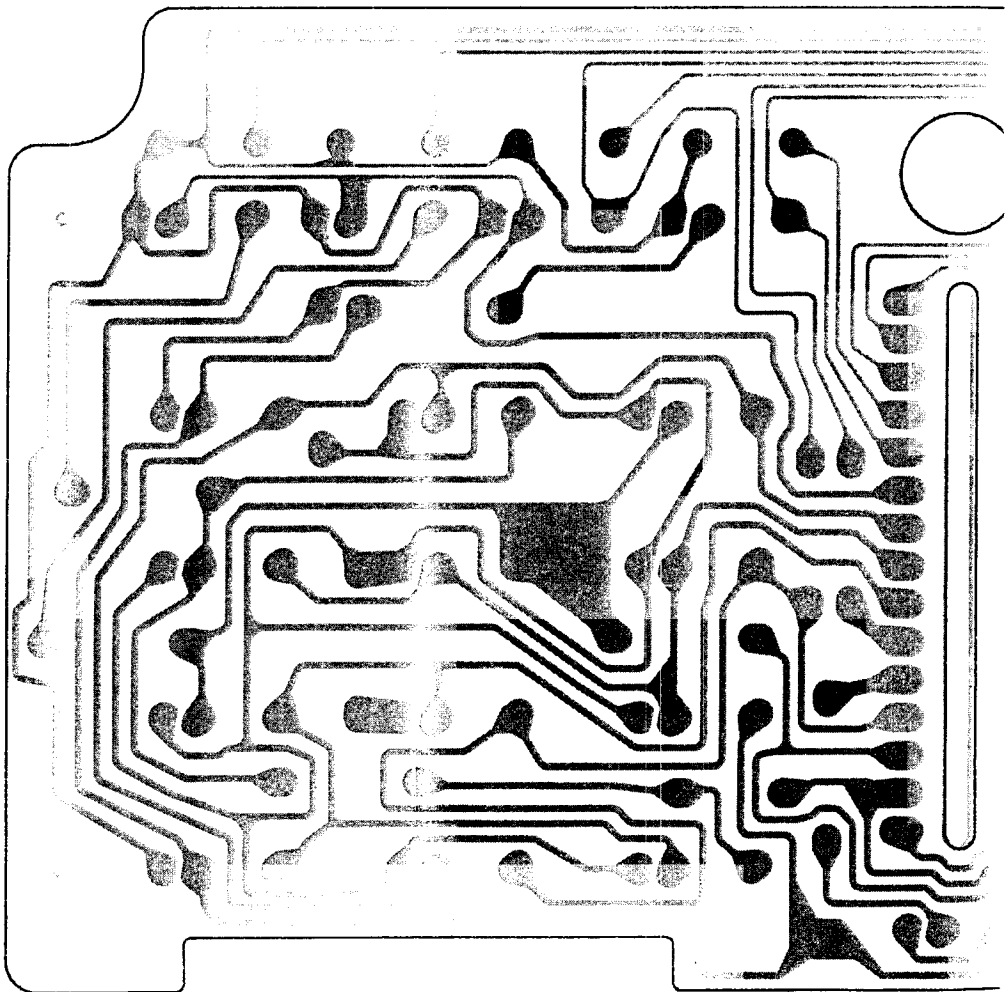
JW7322

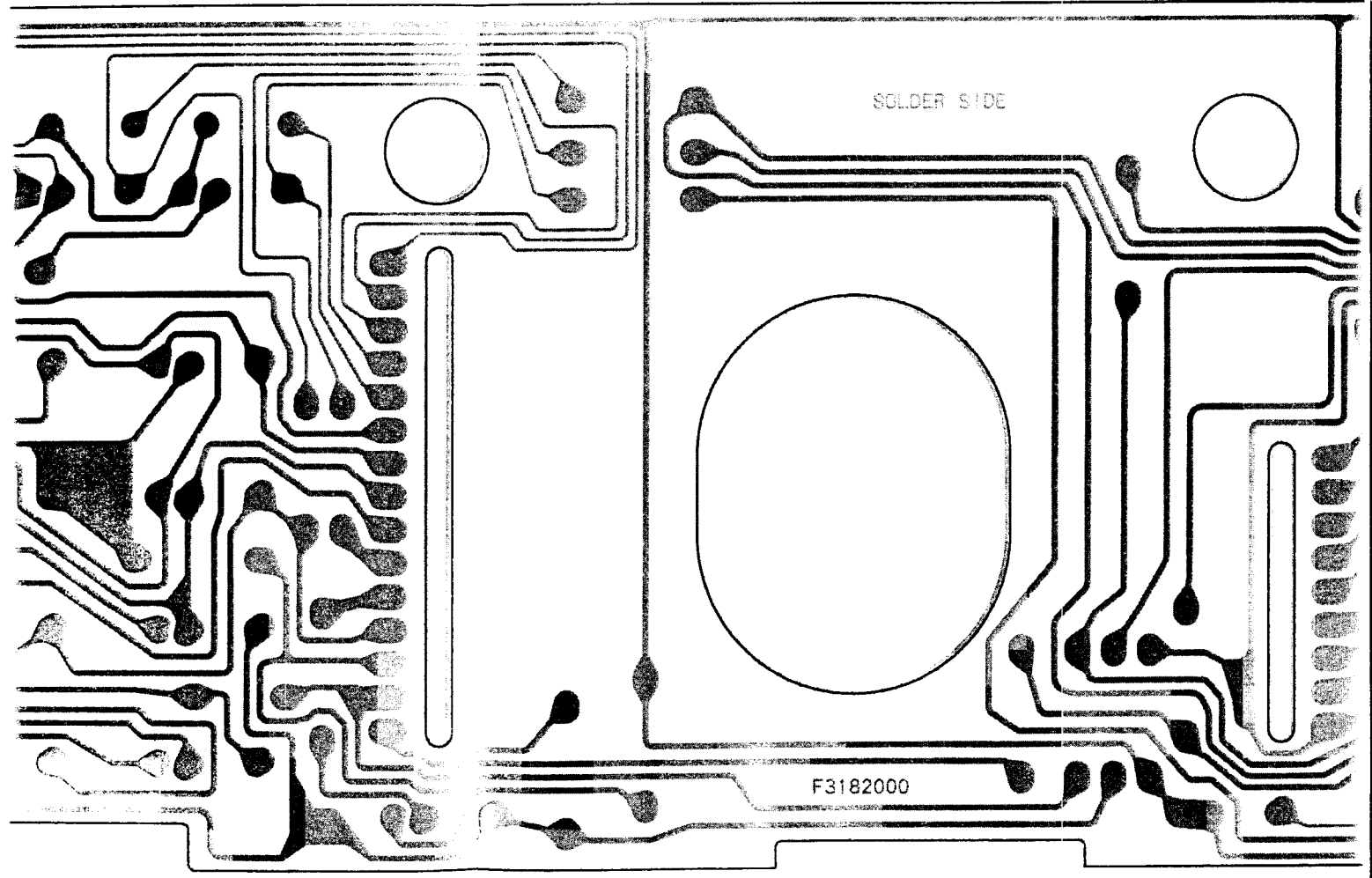
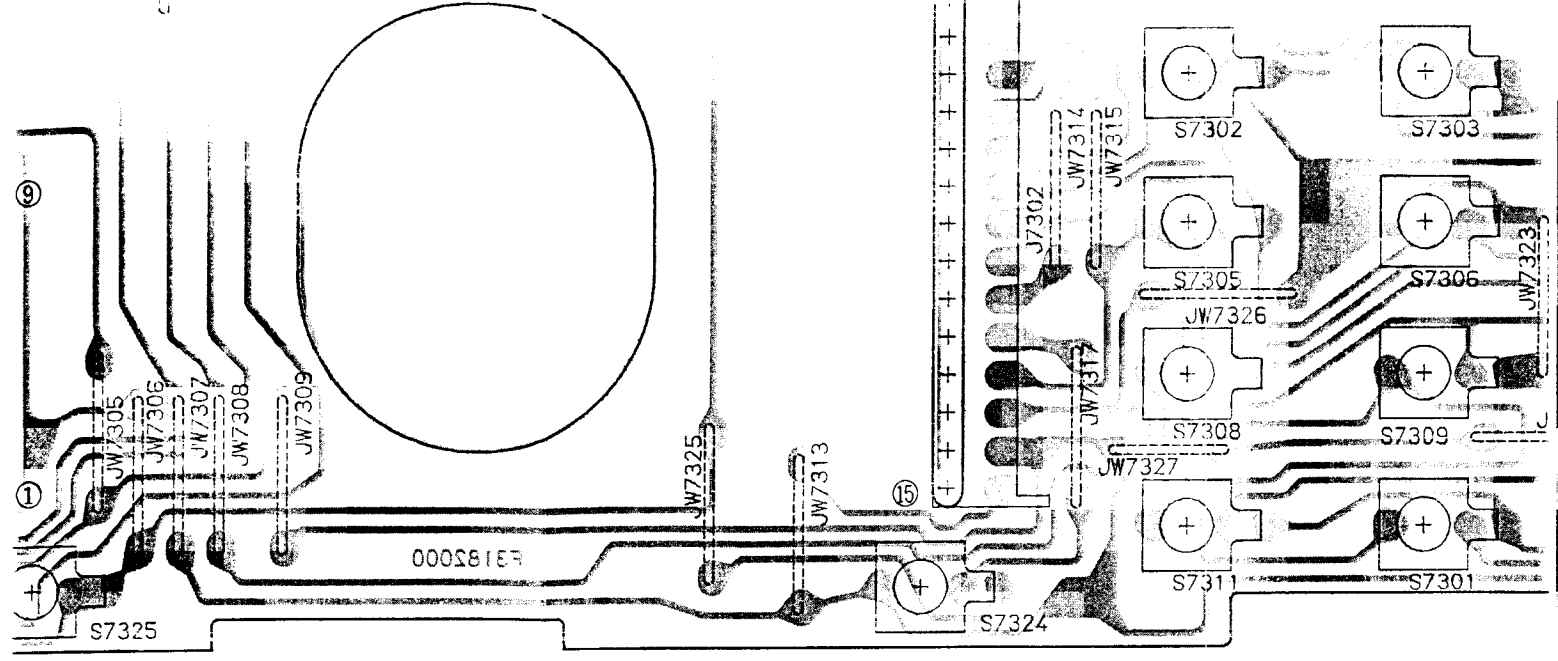
(nt" side)

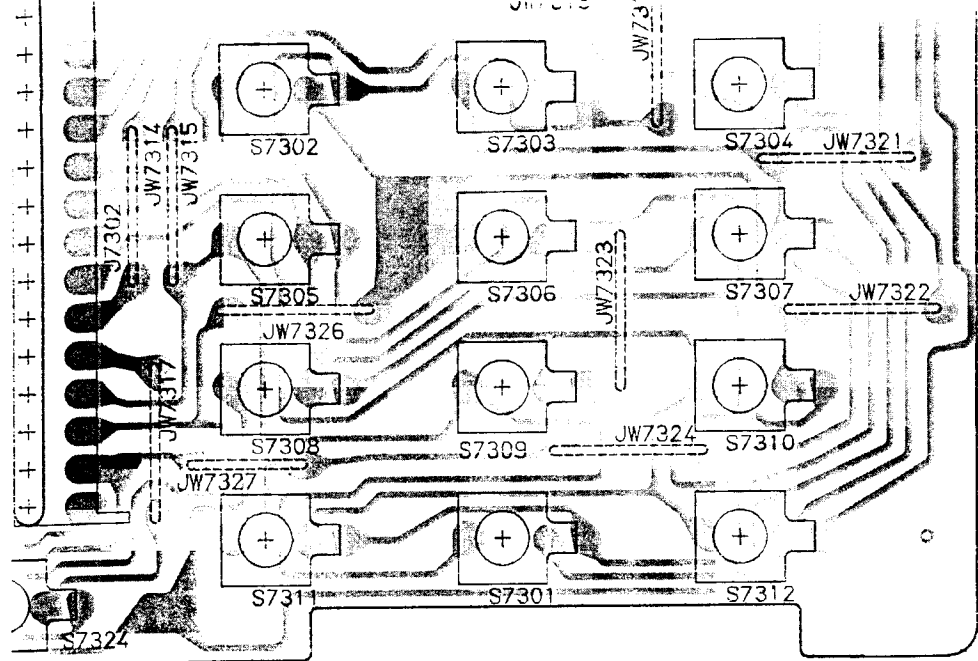




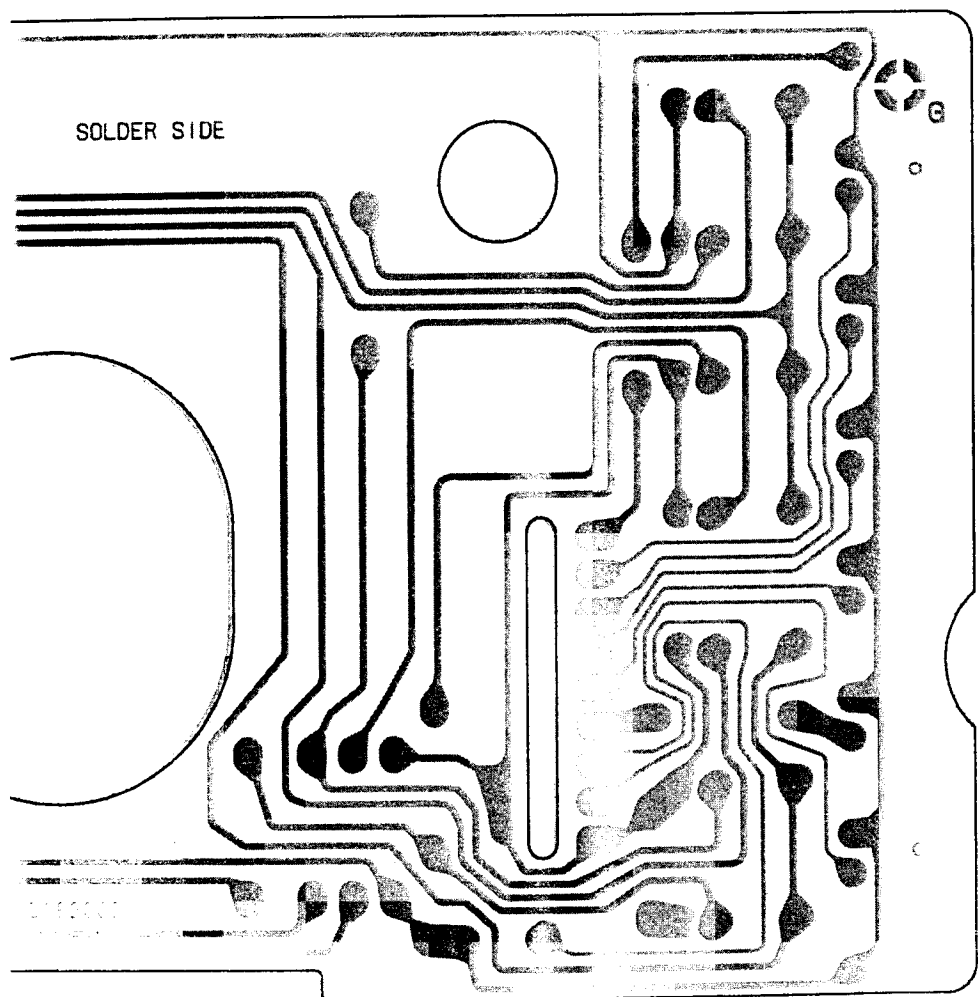
For Service Manuals Contact  
**MAURITRON TECHNICAL SERVICES**  
 8 Cherry Tree Rd, Chinnor  
 Oxon OX9 4QY  
 Tel:- 01844-351694 Fax:- 01844-352554  
 Email:- enquiries@mauritron.co.uk



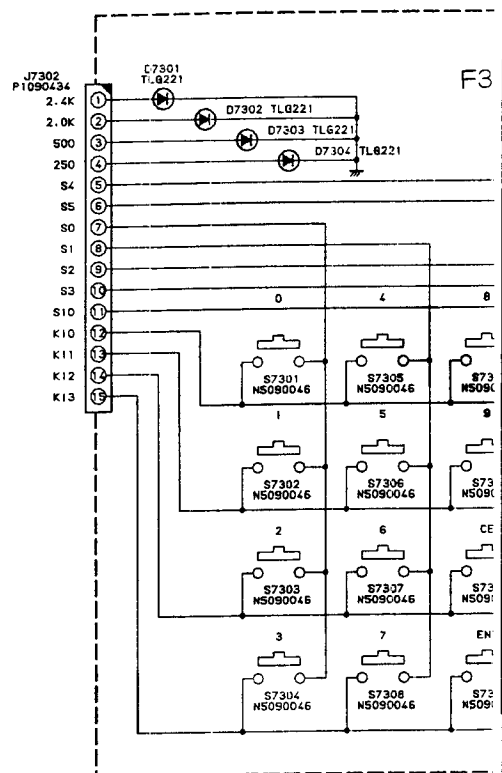




("component" side)



("solder" side)



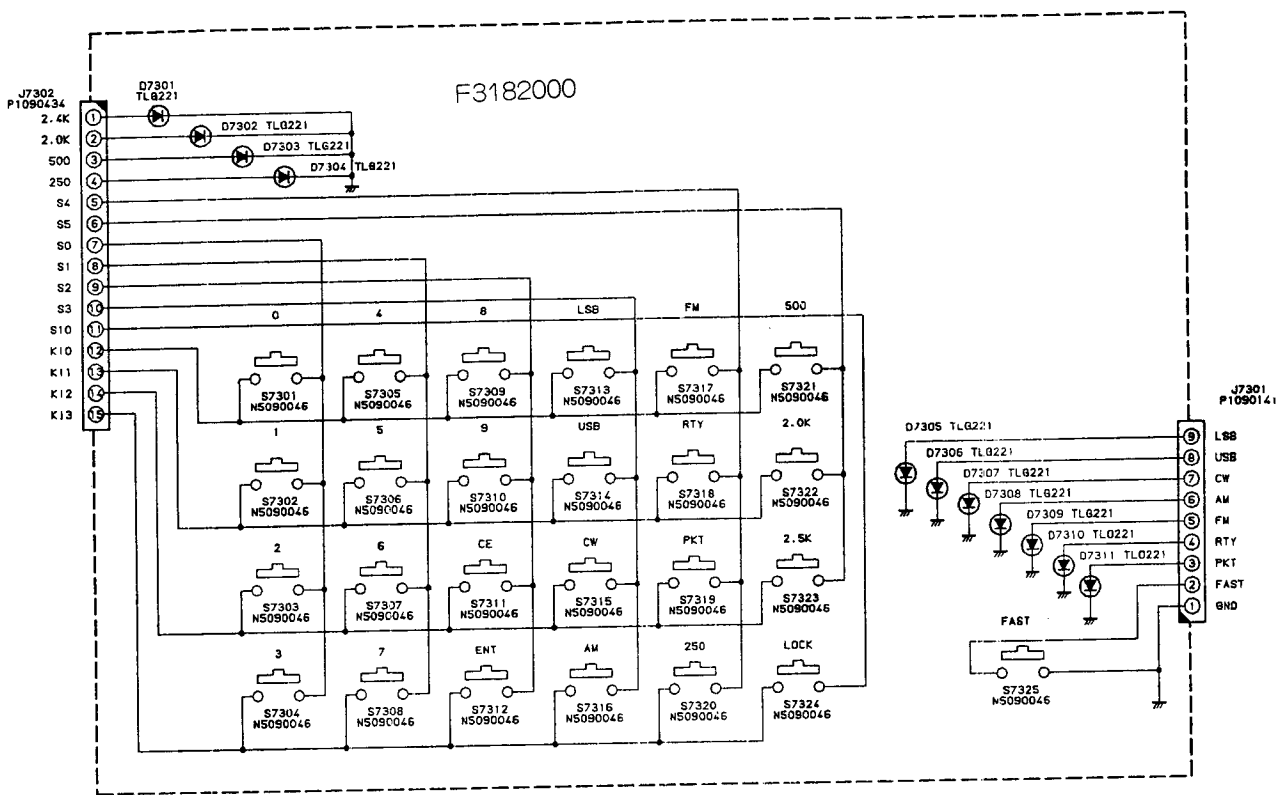
For Service Manuals Contact  
**MAURITRON TECHNICAL SERVICES**  
 8 Cherry Tree Rd, Chinnor  
 Oxon OX9 4QY  
 Tel:- 01844-351694 Fax:- 01844-352554  
 Email:- enquiries@mauritron.co.uk

7321

JW7322

nt" side)

r" side)



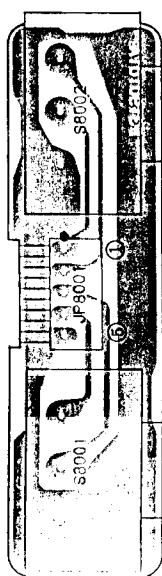
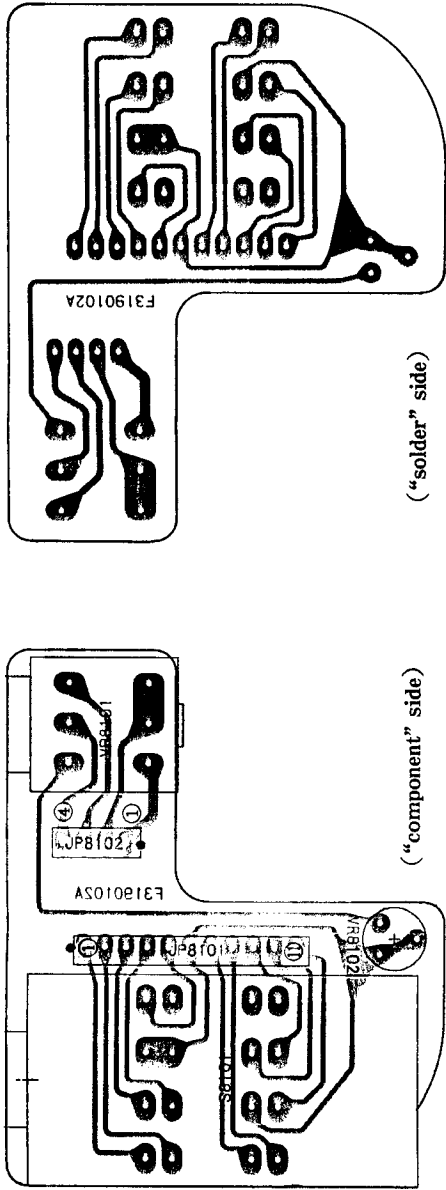
KEY UNIT

# Key(pad) Unit

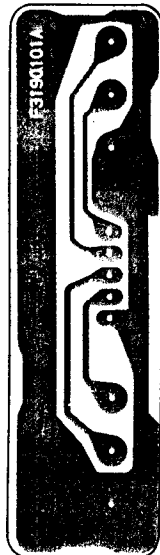
REF.	YAESU P/N	DESCRIPTION	MFGR'S DESIG	VALUE	WV	TOL.	VERS.
*** KEY UNIT ***							
	CA0256001	P.C.B. W COMP.					
	F3182000	P.C.B. W/O COMP.					
D 7301	G2090458	LED	TLG221				
D 7302	G2090458	LED	TLG221				
D 7303	G2090458	LED	TLG221				
D 7304	G2090458	LED	TLG221				
D 7305	G2090458	LED	TLG221				
D 7306	G2090458	LED	TLG221				
D 7307	G2090458	LED	TLG221				
D 7308	G2090458	LED	TLG221				
D 7309	G2090458	LED	TLG221				
D 7310	G2090461	LED	TLO221				
D 7311	G2090461	LED	TLO221				
J 7301	P1090141	CONNECTOR	5124-09BHPB				
J 7302	P1090434	CONNECTOR	5124-15BHPB				
S 7301	N5090046	TACT SWITCH	EVQ-333	H=5.0			
S 7302	N5090046	TACT SWITCH	EVQ-333	H=5.0			
S 7303	N5090046	TACT SWITCH	EVQ-333	H=5.0			
S 7304	N5090046	TACT SWITCH	EVQ-333	H=5.0			
S 7305	N5090046	TACT SWITCH	EVQ-333	H=5.0			
S 7306	N5090046	TACT SWITCH	EVQ-333	H=5.0			
S 7307	N5090046	TACT SWITCH	EVQ-333	H=5.0			
S 7308	N5090046	TACT SWITCH	EVQ-333	H=5.0			
S 7309	N5090046	TACT SWITCH	EVQ-333	H=5.0			
S 7310	N5090046	TACT SWITCH	EVQ-333	H=5.0			
S 7311	N5090046	TACT SWITCH	EVQ-333	H=5.0			
S 7312	N5090046	TACT SWITCH	EVQ-333	H=5.0			
S 7313	N5090046	TACT SWITCH	EVQ-333	H=5.0			
S 7314	N5090046	TACT SWITCH	EVQ-333	H=5.0			
S 7315	N5090046	TACT SWITCH	EVQ-333	H=5.0			
S 7316	N5090046	TACT SWITCH	EVQ-333	H=5.0			
S 7317	N5090046	TACT SWITCH	EVQ-333	H=5.0			
S 7318	N5090046	TACT SWITCH	EVQ-333	H=5.0			
S 7319	N5090046	TACT SWITCH	EVQ-333	H=5.0			
S 7320	N5090046	TACT SWITCH	EVQ-333	H=5.0			
S 7321	N5090046	TACT SWITCH	EVQ-333	H=5.0			
S 7322	N5090046	TACT SWITCH	EVQ-333	H=5.0			
S 7323	N5090046	TACT SWITCH	EVQ-333	H=5.0			
S 7324	N5090046	TACT SWITCH	EVQ-333	H=5.0			
S 7325	N5090046	TACT SWITCH	EVQ-333	H=5.0			

For Service Manuals Contact  
**MAURITRON TECHNICAL SERVICES**  
 8 Cherry Tree Rd, Chinnor  
 Oxon OX9 4QY  
 Tel: 01844-351694 Fax: 01844-352554  
 Email: enquiries@mauritron.co.uk

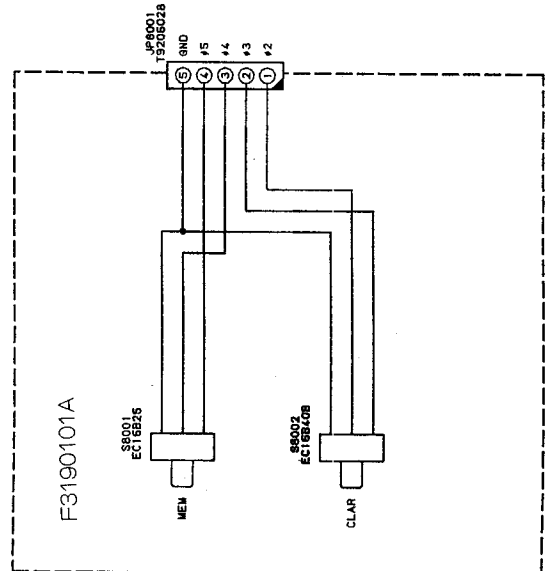
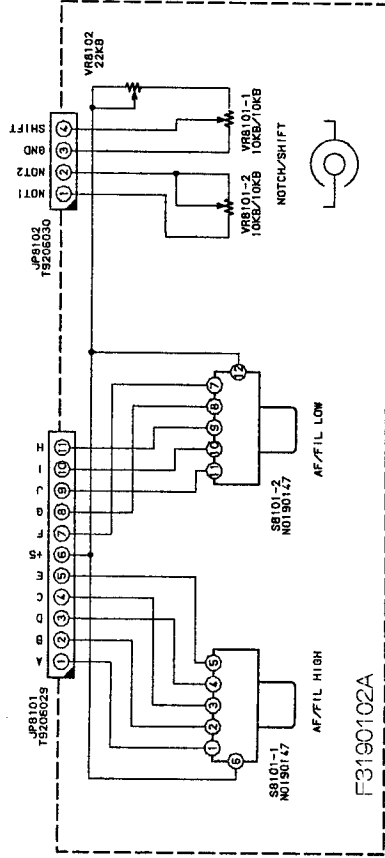
# Rotary Encoder (R. Enc) Unit & Switch B (SW-B) Unit



("component" side)



("solder" side)



# Rotary Encoder (R. Enc) Unit & Switch B (SW-B) Unit

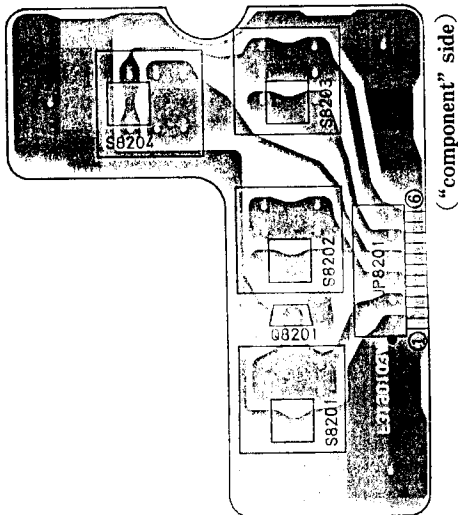
REF.	YAESU P/N	DESCRIPTION	MFGR'S DESIG	VALUE	WV	TOL.	VERS.
		*** R. ENC UNIT ***					
	CA0418001	P.C.B. W COMP.					
	F3190101A	P.C.B. W/O COMP.					
JP8001	T9206028	WIRE-ASSY					
S 8001	Q9000524	ROTARY CODE S.W.	EC16B25D				
S 8002	Q9000525	ROTARY CODE S.W.	EC16B40B				
	R0136890	FITTING					

REF.	YAESU P/N	DESCRIPTION	MFGR'S DESIG	VALUE	WV	TOL.	VERS.
		*** SW B UNIT ***					
	CA0419001	P.C.B. W COMP.					
	F3190102A	P.C.B. W/O COMP.					
JP8101	T9206029	WIRE-ASSY					
JP8102	T9206030	WIRE-ASSY					
S 8101	N0190147	ROTARY SWITCH	SRRS2R				
VR8101	J62800105	POT.	RK12	10KB/10KB			
VR8102	J51745223	POT.	H0651A015-22KB	22KB			
	R0136900A	FITTING					

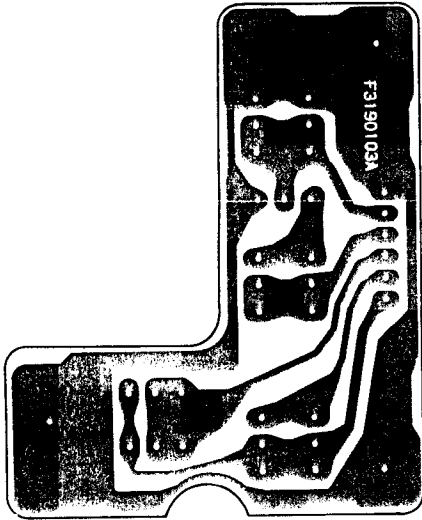
For Service Manuals Contact  
 MAURITRON TECHNICAL SERVICES  
 8 Cherry Tree Rd, Chinnor  
 Oxon OX9 4QY  
 Tel:- 01844-351694 Fax:- 01844-352554  
 Email:- enquiries@maurtron.co.uk



# Push Button Switch (Push SW) Unit & Mic Unit



("component" side)



("solder" side)

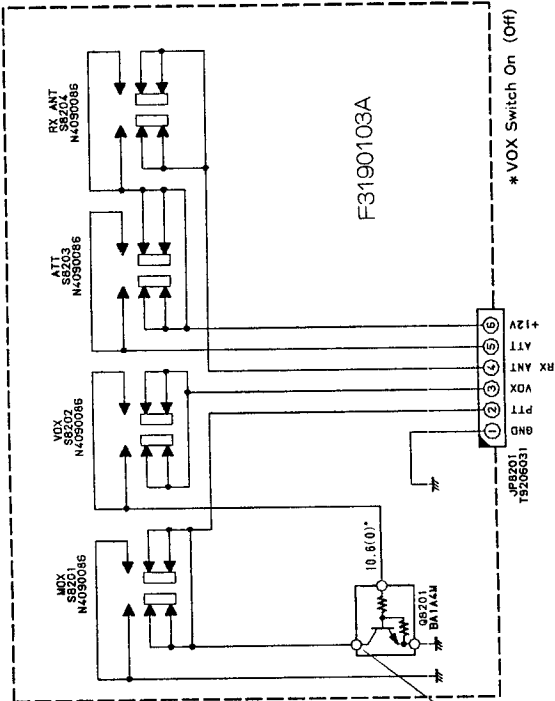
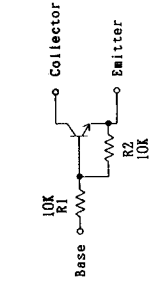
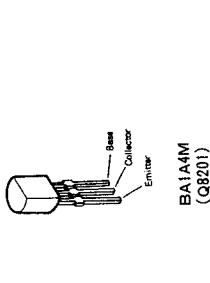


("component" side)



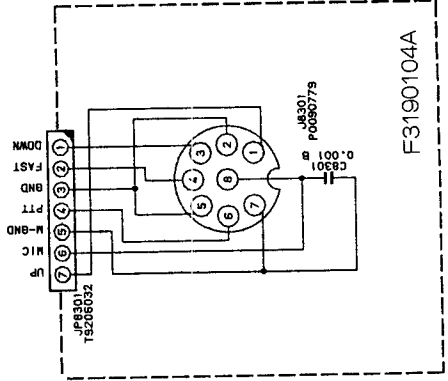
("solder" side)

For Service Manuals Contact  
**MAURITRON TECHNICAL SERVICES**  
 8 Cherry Tree Rd, Chinnor  
 Oxon OX9 4QY  
 Tel: 01844-351694 Fax: 01844-352554  
 Email: enquiries@mauritron.co.uk



VOX-SW	ON	OFF
M	0.0	0.0
X	0.0	0.0
S	0.0	4.6
W	0.0	4.6

Short the KEY jack.



NOTE:  
CAPACITOR VALUES ARE IN  $\mu$ F, 50V,  
UNLESS OTHERWISE NOTED.

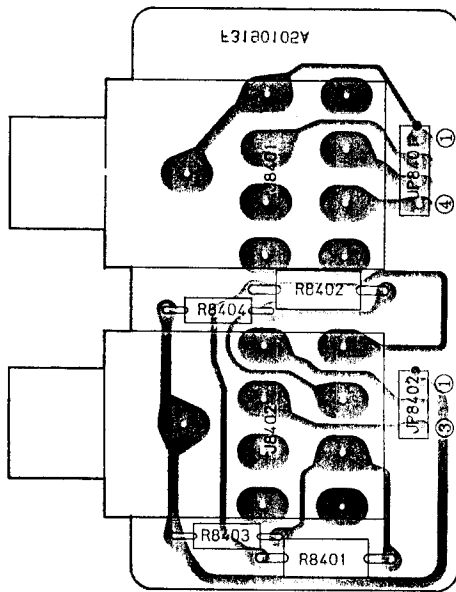
# Push Button Switch (Push SW) Unit & Mic Unit

REF.	YAESU P/N	DESCRIPTION	MFGR'S DESIG	VALUE	WV	TOL.	VERS.
*** PUSH SW UNIT ***							
	CA0421001	P.C.B. W COMP.					
	F3190103A	P.C.B. W/O COMP.					
JP8201	T9206031	WIRE-ASSY					
Q 8201	G3090074	TRANSISTOR	BA1A4M				
S 8201	N4090086	PUSH SWITCH	SPH121A94				
S 8202	N4090086	PUSH SWITCH	SPH121A94				
S 8203	N4090086	PUSH SWITCH	SPH121A94				
S 8204	N4090086	PUSH SWITCH	SPH121A94				

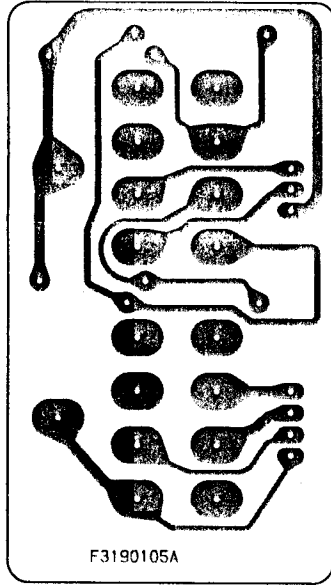
REF.	YAESU P/N	DESCRIPTION	MFGR'S DESIG	VALUE	WV	TOL.	VERS.
*** MIC UNIT ***							
	CA0422001	P.C.B. W COMP.					
	F3190104A	P.C.B. W/O COMP.					
C 8301	K28179001	CERAMIC CAP.	UP050B102K-A-B	0.001uF	50V	B	
J 8301	P0090779	CONNECTOR	FM214-8SS(A)NI				
JP8301	T9206032	WIRE-ASSY					

**For Service Manuals Contact**  
**MAURITRON TECHNICAL SERVICES**  
**8 Cherry Tree Rd, Chinnor**  
**Oxon OX9 4QY**  
**Tel: 01844-351694 Fax: 01844-352554**  
**Email: enquiries@mauritron.co.uk**

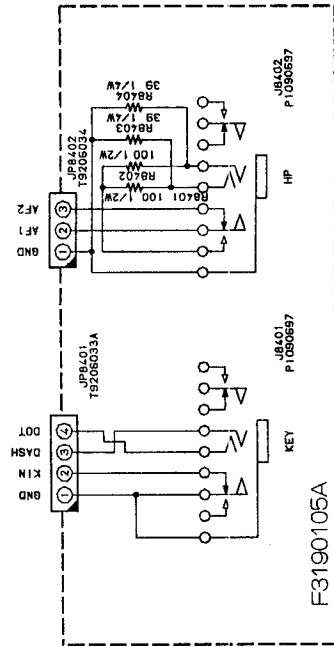
# Headphone (HP) Unit



("component" side)



("solder" side)



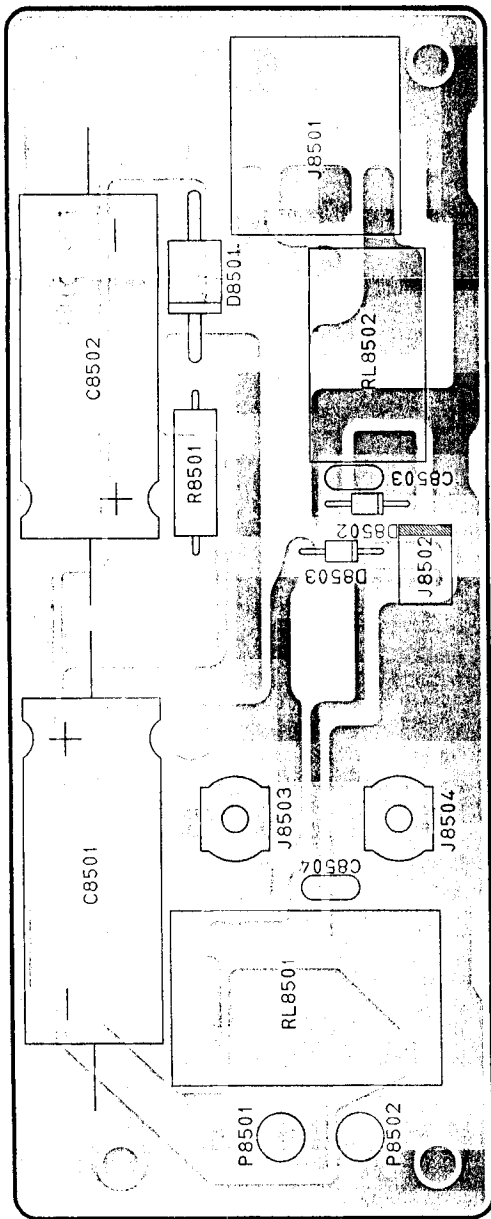
F3190105A

# Headphone (HP) Unit

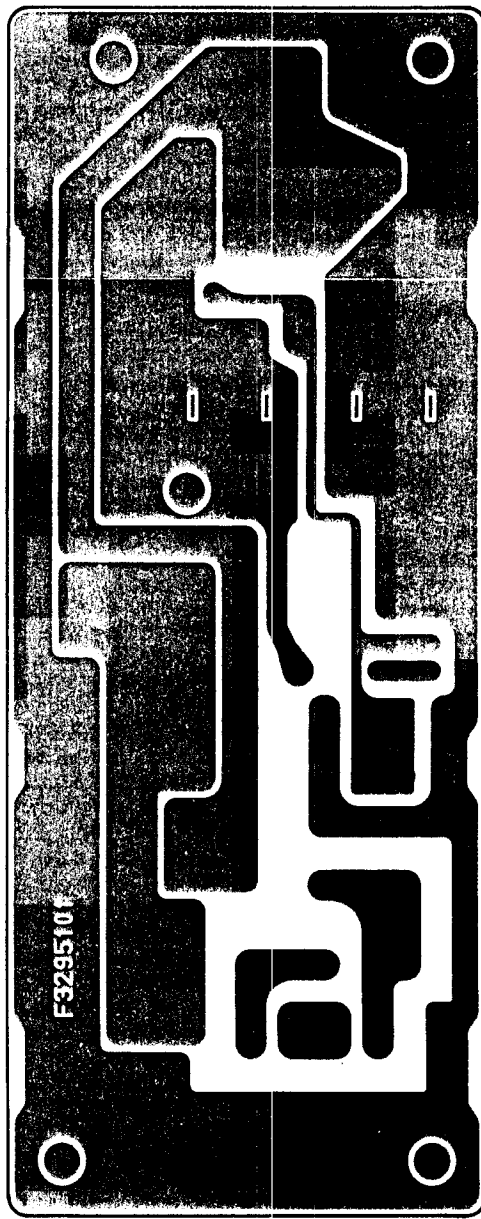
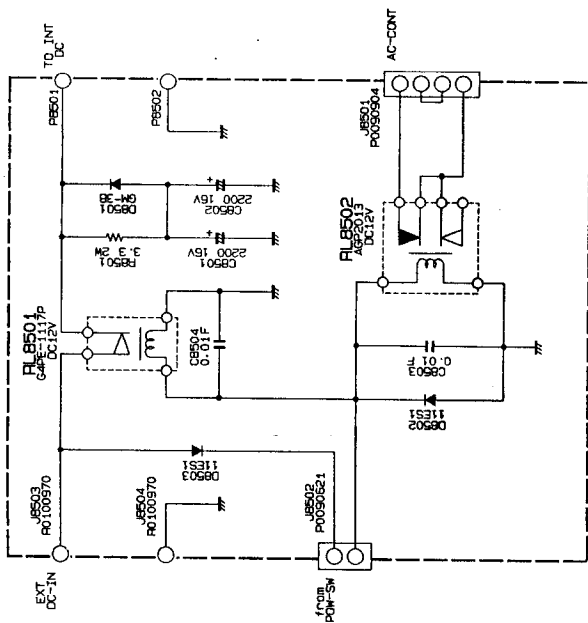
REF.	YAESU P/N	DESCRIPTION	MFGR'S DESIG	VALUE	WV	TOL.	VERS.
		*** HP UNIT ***					
	CA0423001	P.C.B. W COMP.					
	F3190105A	P.C.B. W/O COMP.					
J 8401	P1090697	CONNECTOR	S-G4617#02				
J 8402	P1090697	CONNECTOR	S-G4617#02				
JP8401	T9206033A	WIRE-ASSY					
JP8402	T9206034	WIRE-ASSY					
R 8401	J01275101	CARBON FILM RES.	RD12TJ101	100		1/2W	
R 8402	J01275101	CARBON FILM RES.	RD12TJ101	100		1/2W	
R 8403	J01245390	CARBON FILM RES.	RD14TJ390	39		1/4W	
R 8404	J01245390	CARBON FILM RES.	RD14TJ390	39		1/4W	

For Service Manuals Contact  
**MAURITRON TECHNICAL SERVICES**  
 8 Cherry Tree Rd, Chinnor  
 Oxon OX9 4QY  
 Tel:- 01844-351694 Fax:- 01844-352554  
 Email:- enquiries@mauritron.co.uk

# DC Switch Unit



("component" side)

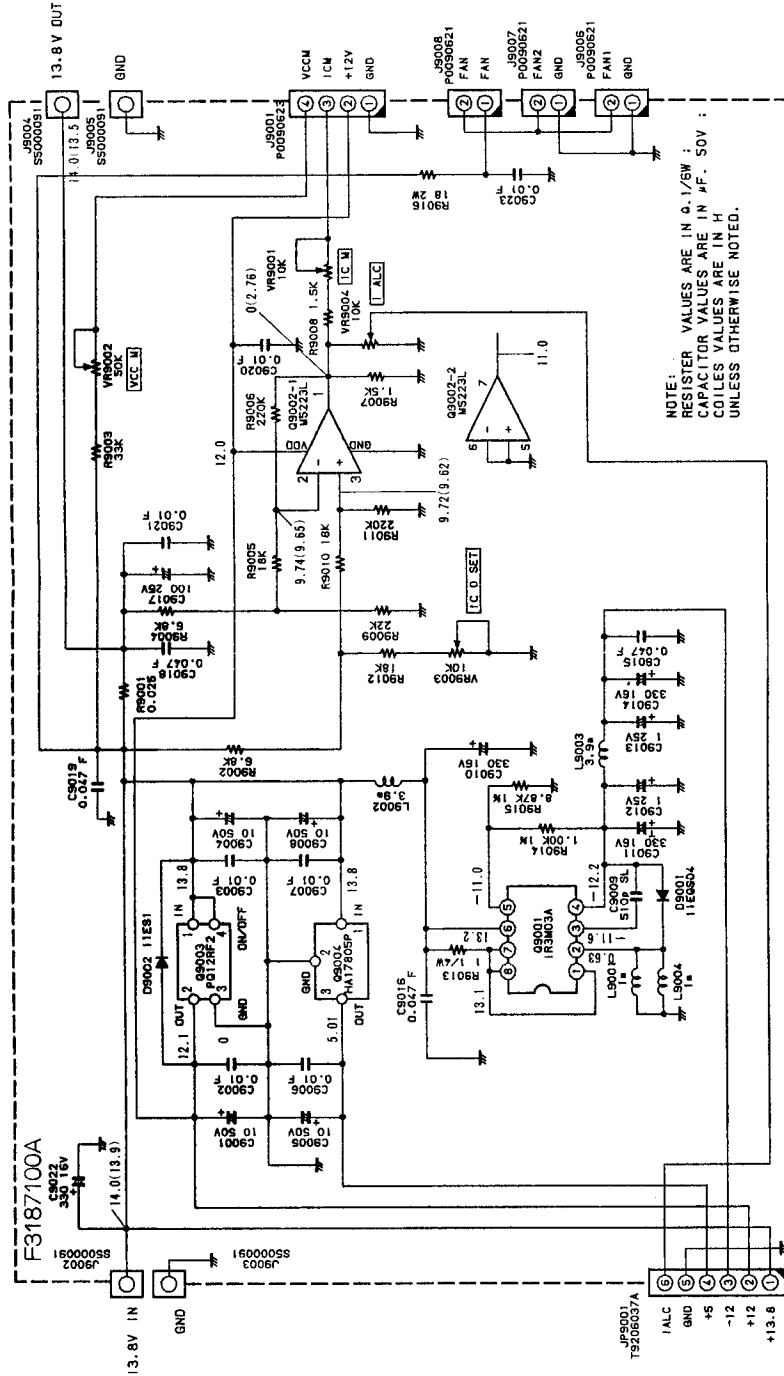


("solder" side)

# DC Switch Unit

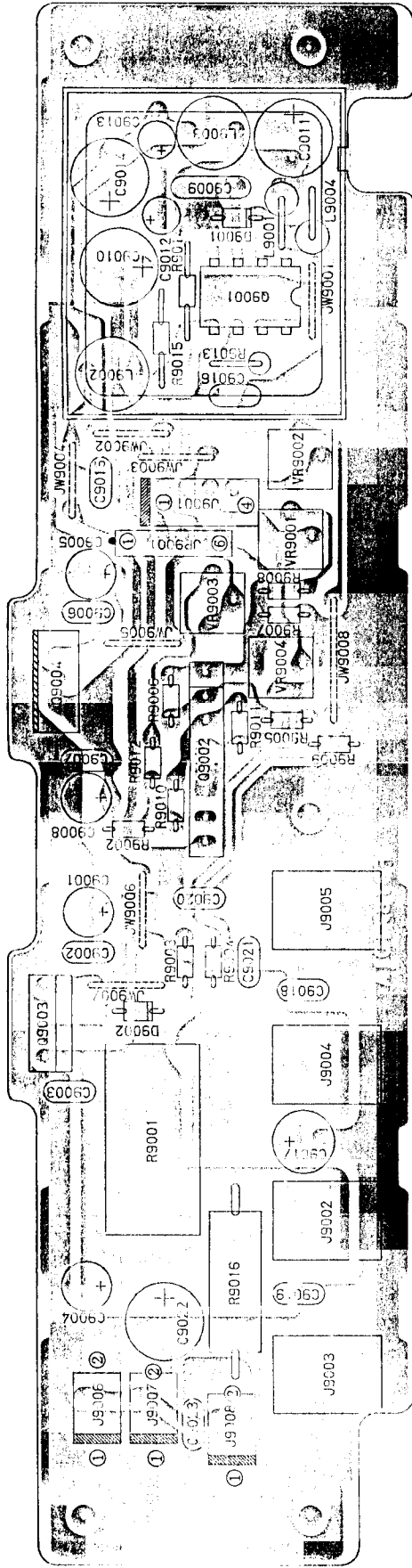
REF.	YAESU P/N	DESCRIPTION	MFGR'S DESIG	VALUE	WV	TOL.	VERS.
*** DC SW UNIT ***							
	CA0904001	P. C. B. W COMP.					
	F3295101	P. C. B. W/O COMP.					
C 8501	K41129003	AL. ELECTRO. CAP.	ECE-B1CU222	2200uF	16V		
C 8502	K41129003	AL. ELECTRO. CAP.	ECE-B1CU222	2200uF	16V		
C 8503	K13179008	CERAMIC CAP.	DD106F103Z50	0.01uF	50V	F	
C 8504	K13179008	CERAMIC CAP.	DD106F103Z50	0.01uF	50V	F	
D 8501	G2090464	DIODE	GM-3B				
D 8502	G2090499	DIODE	11ES1				
D 8503	G2090499	DIODE	11ES1				
J 8501	P0090904	CONNECTOR	B4PS-VH				
J 8502	P0090621	CONNECTOR	SC25-02WS				
J 8503	R0100970	TERMINAL					
J 8504	R0100970	TERMINAL					
P 8501	T9317892	WIRE-ASSY					
P 8502	T9317893	WIRE-ASSY					
R 8501	J22339003	METAL FILM RES.	ERX-2SJ3R3P	3.3	2W		
RL8501	M1190095	RELAY	G4PE-1117P		DC12V		
RL8502	M1190069	RELAY	AGP2013		DC12V		

**For Service Manuals Contact**  
**MAURITRON TECHNICAL SERVICES**  
 8 Cherry Tree Rd, Chinnor  
 Oxon OX9 4QY  
 Tel:- 01844-351694 Fax:- 01844-352554  
 Email:- enquiries@mauritron.co.uk

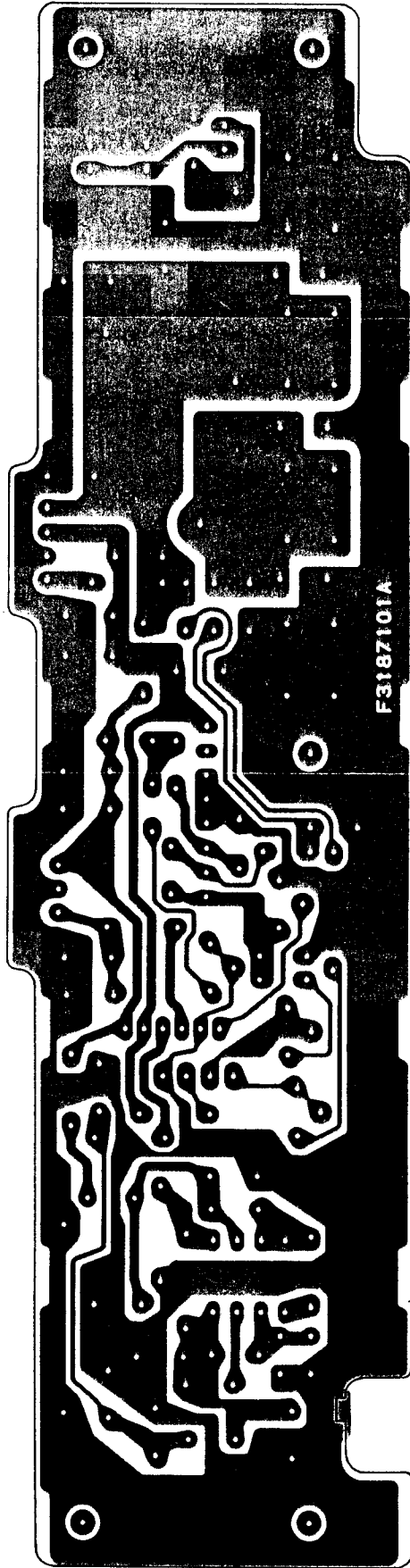


Receive (Transmit) DC Voltage  
Measuring Conditions  
Frequency: 14.200MHz  
Mode: CW  
RF Output: 100W

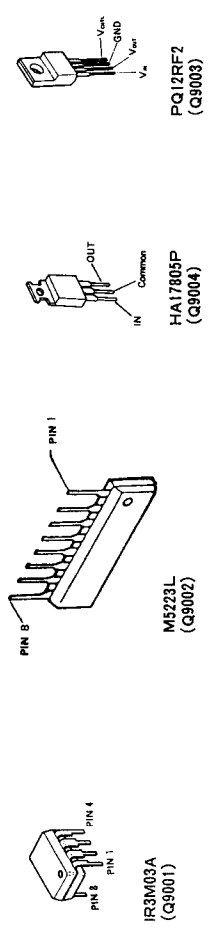
For Service Manuals Contact  
**MAURITRON TECHNICAL SERVICES**  
8 Cherry Tree Rd, Chinnor  
Oxon OX9 4QY  
Tel: 01844-351694 Fax: 01844-352554  
Email: enquiries@mauritron.co.uk



("component" side)



("solder" side)





# Regulator (REG) Unit

REF.	YAESU P/N	DESCRIPTION	MFRG'S DESIG	VALUE	WV	TOL.	VERS.
*** REG UNIT ***							
	CA0278001	P. C. B. W COMP.					
	F3187100A	P. C. B. W/O COMP.					
C 9001	K46170021	AL. ELECTRO. CAP.	50V100M5X11TR5	10uF	50V		
C 9002	K26170657	CERAMIC CAP.	DD106-979F103Z50	0.01uF	50V	F	
C 9003	K26170657	CERAMIC CAP.	DD106-979F103Z50	0.01uF	50V	F	
C 9004	K46170021	AL. ELECTRO. CAP.	50V100M5X11TR5	10uF	50V		
C 9005	K46170021	AL. ELECTRO. CAP.	50V100M5X11TR5	10uF	50V		
C 9006	K26170657	CERAMIC CAP.	DD106-979F103Z50	0.01uF	50V	F	
C 9007	K26170657	CERAMIC CAP.	DD106-979F103Z50	0.01uF	50V	F	
C 9008	K46170021	AL. ELECTRO. CAP.	50V100M5X11TR5	10uF	50V		
C 9009	K26171046	CERAMIC CAP.	DD109-979SL511J50	510p	50V	SL	
C 9010	K46120002	AL. ELECTRO. CAP.	16V331M8X11TR5	330uF	16V		
C 9011	K46120002	AL. ELECTRO. CAP.	16V331M8X11TR5	330uF	16V		
C 9012	K76140013	TANTALUM CAP.	TPDN1E010M8S (MX0)	1uF	25V		
C 9013	K76140013	TANTALUM CAP.	TPDN1E010M8S (MX0)	1uF	25V		
C 9014	K46120002	AL. ELECTRO. CAP.	16V331M8X11TR5	330uF	16V		
C 9015	K26170726	CERAMIC CAP.	DD306-979F473Z50	0.047uF	50V	F	
C 9016	K26170726	CERAMIC CAP.	DD306-979F473Z50	0.047uF	50V	F	
C 9017	K46140005	AL. ELECTRO. CAP.	25V101M6X11TR5	100uF	25V		
C 9018	K26170726	CERAMIC CAP.	DD306-979F473Z50	0.047uF	50V	F	
C 9019	K26170726	CERAMIC CAP.	DD306-979F473Z50	0.047uF	50V	F	
C 9020	K26170657	CERAMIC CAP.	DD106-979F103Z50	0.01uF	50V	F	
C 9021	K26170657	CERAMIC CAP.	DD106-979F103Z50	0.01uF	50V	F	
C 9022	K46120002	AL. ELECTRO. CAP.	16V331M8X11TR5	330uF	16V		
C 9023	K26170657	CERAMIC CAP.	DD106-979F103Z50	0.01uF	50V	F	
D 9001	G2060008	DIODE	11EQS04-TA1B2				
D 9002	G2060009	DIODE	11ES1-TA1B2				
J 9001	P0090623	CONNECTOR	SC25-04WS				
J 9002	S5000091	P-96	P-96				
J 9003	S5000091	P-96	P-96				
J 9004	S5000091	P-96	P-96				
J 9005	S5000091	P-96	P-96				
J 9006	P0090621	CONNECTOR	SC25-02WS				
J 9007	P0090621	CONNECTOR	SC25-02WS				
J 9008	P0090621	CONNECTOR	SC25-02WS				
JP9001	T9206037A	WIRE-ASSY					
L 9001	L1190090	M. RFC	LAL04NA102K	1mH			
L 9002	L1190383	M. RFC	RCR-875D-392K	3.9m			
L 9003	L1190383	M. RFC	RCR-875D-392K	3.9m			
L 9004	L1190090	M. RFC	LAL04NA102K	1mH			
Q 9001	G1090837	IC	IR3M03A				
Q 9002	G1090988	IC	M5223L				
Q 9003	G1091138	IC	PQ12RF2				
Q 9004	G1090936	IC	HA17805P				
R 9001	J32009004	SHUNT RES.	R025 J	0.025			

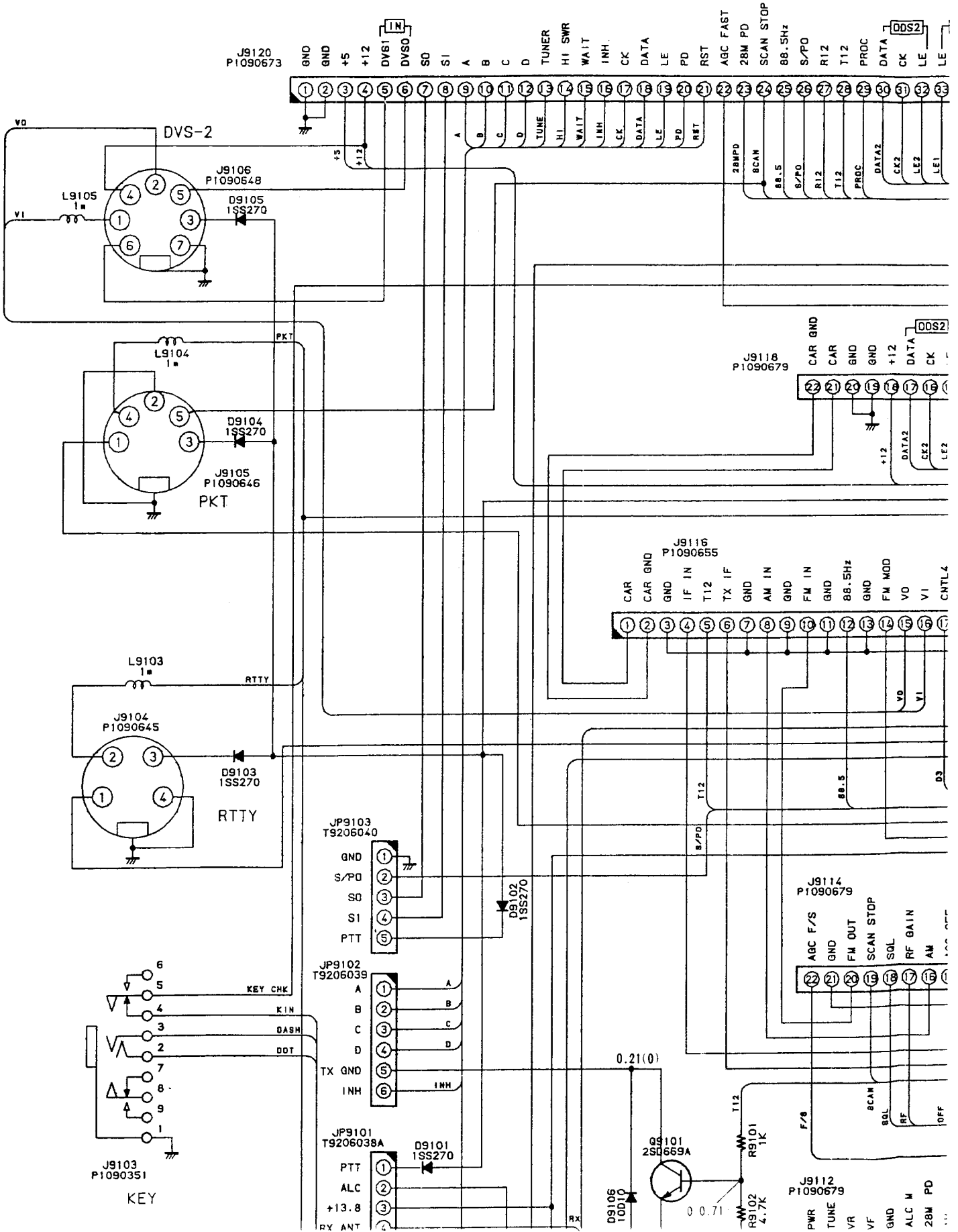
**For Service Manuals Contact**  
**MAURITRON TECHNICAL SERVICES**  
 8 Cherry Tree Rd, Chinnor  
 Oxon OX9 4QY  
 Tel:- 01844-351694 Fax:- 01844-352554  
 Email:- enquiries@mauritron.co.uk

# Regulator (REG) Unit

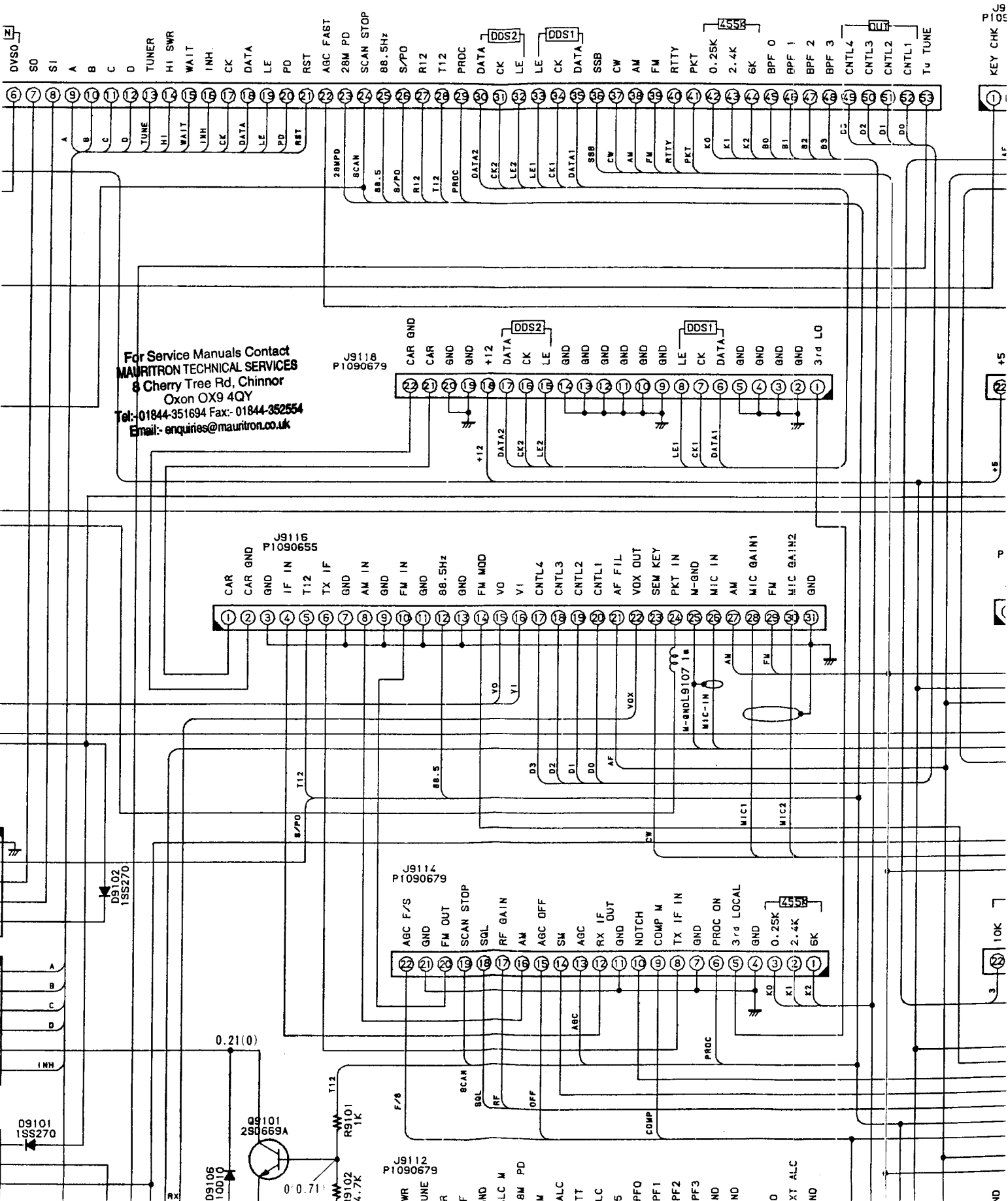
REF.	YAESU P/N	DESCRIPTION	MFR'S DESIG	VALUE	WV	TOL.	VERS.
R 9002	J07225682	CARBON FILM RES.	RD16TPJ682	6.8K	1/6W		
R 9003	J07225333	CARBON FILM RES.	RD16TPJ333	33K	1/6W		
R 9004	J07225682	CARBON FILM RES.	RD16TPJ682	6.8K	1/6W		
R 9005	J07225183	CARBON FILM RES.	RD16TPJ183	18K	1/6W		
R 9006	J07225224	CARBON FILM RES.	RD16TPJ224	220K	1/6W		
R 9007	J07225152	CARBON FILM RES.	RD16TPJ152	1.5K	1/6W		
R 9008	J07225152	CARBON FILM RES.	RD16TPJ152	1.5K	1/6W		
R 9009	J07225223	CARBON FILM RES.	RD16TPJ223	22K	1/6W		
R 9010	J07225183	CARBON FILM RES.	RD16TPJ183	18K	1/6W		
R 9011	J07225224	CARBON FILM RES.	RD16TPJ224	220K	1/6W		
R 9012	J07225183	CARBON FILM RES.	RD16TPJ183	18K	1/6W		
R 9013	J06245010	CARBON FILM RES.	RD25UJ010T	1	1/4W		
R 9014	J20249101	METAL FILM RES.	MRS25F 1.00K	1.00K	1/4W	1%	
R 9015	J20249046	METAL FILM RES.	MRS25F 8.87K	8.87K	1/4W	1%	
R 9016	J20336180	METAL FILM RES.	RS2B 2W K 18	18	2W		
VR9001	J50784103	POT.	EVN-DCAA03B14	10K			
VR9002	J50784503	POT.	EVN-DCAA03B54	50K			
VR9003	J50784103	POT.	EVN-DCAA03B14	10K			
VR9004	J50784103	POT.	EVN-DCAA03B14	10K			
	R0131630	SHIELD CASE					
	R0131640	SHIELD COVER					
	R0137410B	HEATSINK PLATE					
	R0123510	FITTING					
	R0134490	FITTING					

For Service Manuals Contact  
**MAURITRON TECHNICAL SERVICES**  
 8 Cherry Tree Rd, Chinnor  
 Oxon OX9 4QY  
 Tel:- 01844-351694 Fax:- 01844-352554  
 Email:- enquiries@mauritron.co.uk

F3175000A



For Service Manuals Contact  
**MAURITRON TECHNICAL SERVICES**  
 8 Cherry Tree Rd, Chinnor  
 Oxon OX9 4QY  
 Tel: 01844-351694 Fax: 01844-352554  
 Email: enquiries@mauritron.co.uk



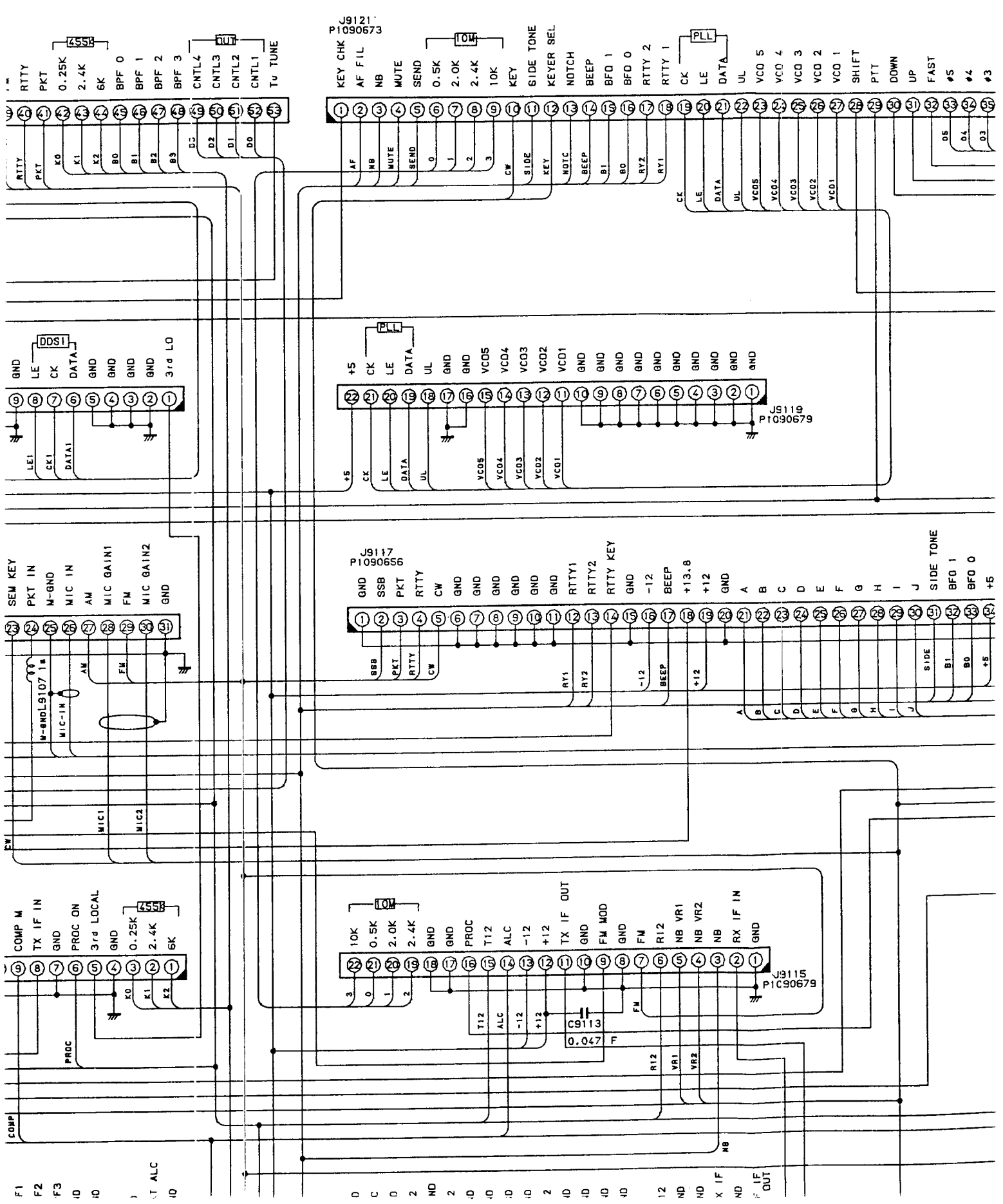
P 06  
 OS

+5

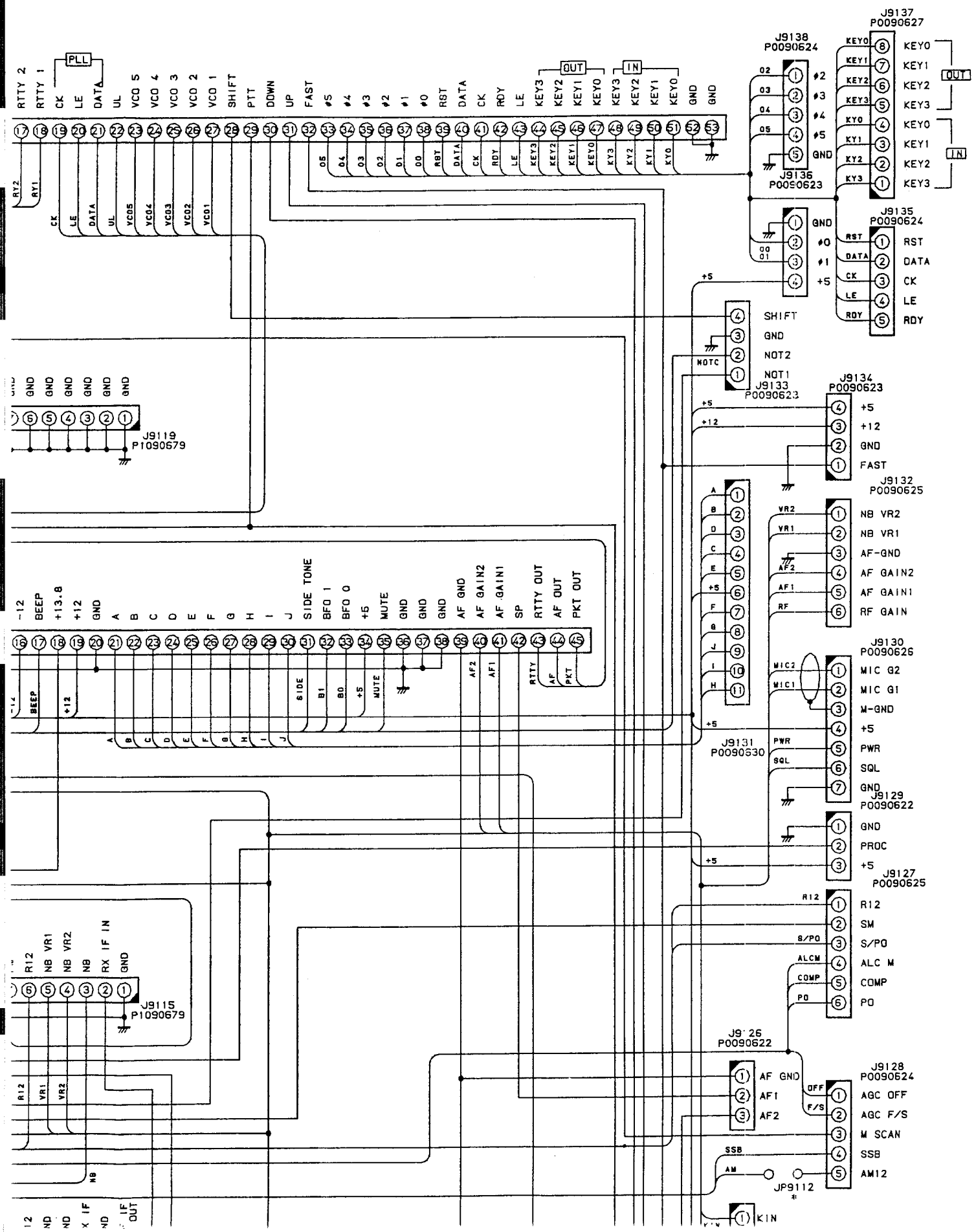
P

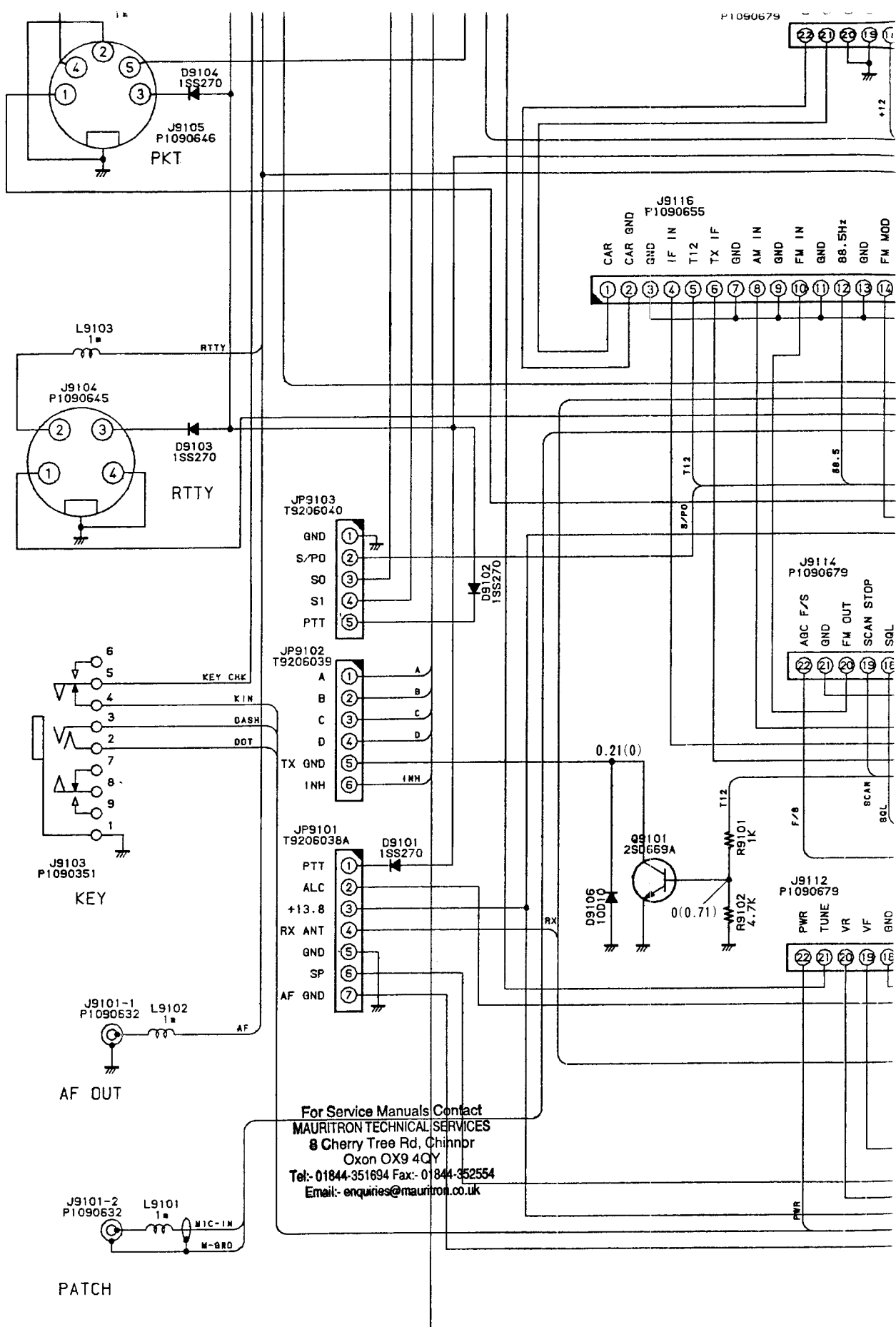
10K

ND



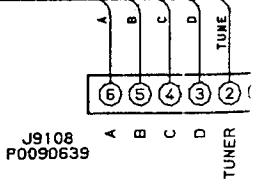
# Motherboard (Mother Unit)

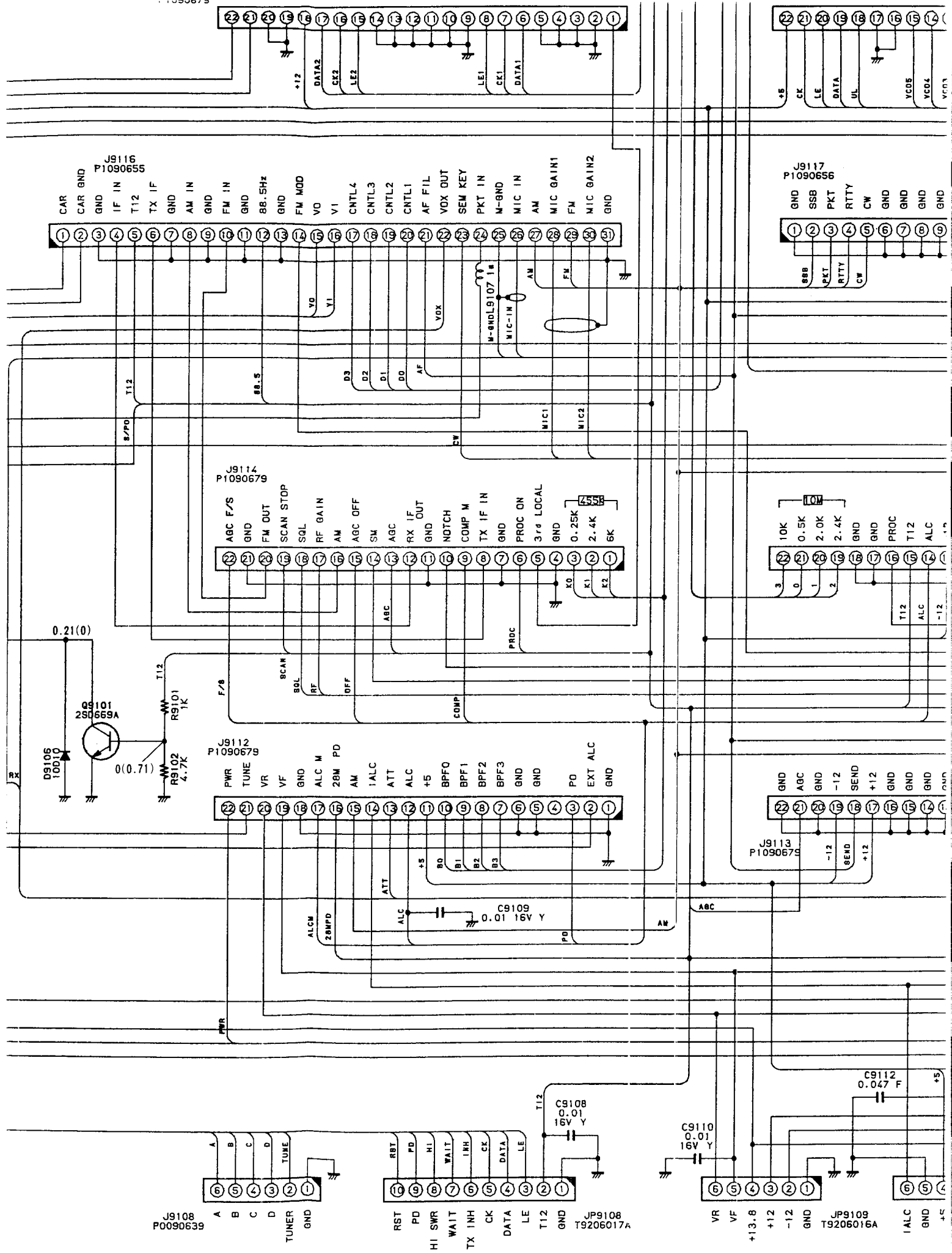




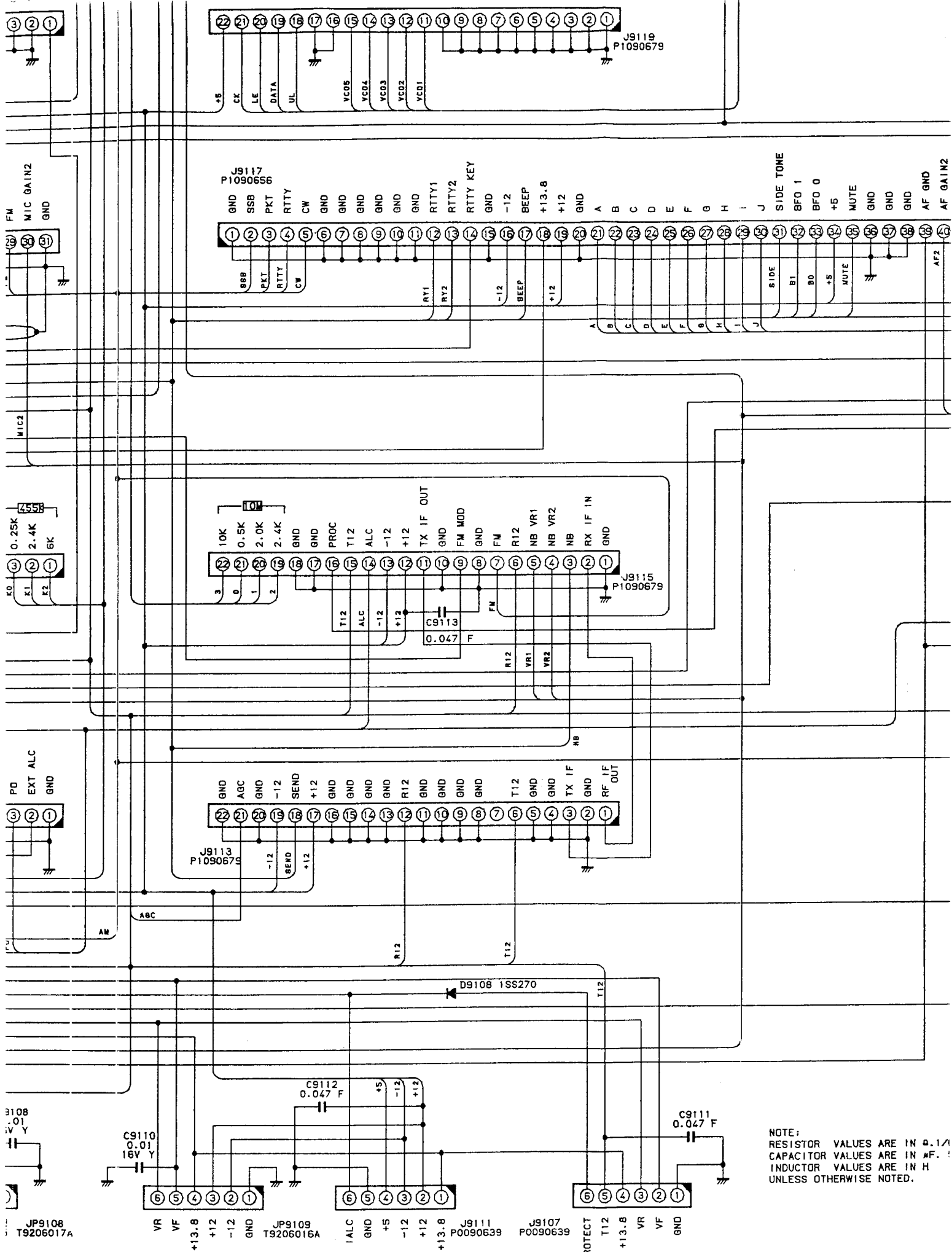
For Service Manuals Contact  
**MAURITRON TECHNICAL SERVICES**  
 8 Cherry Tree Rd, Chinnor  
 Oxon OX9 4QY  
 Tel: 01844-351694 Fax: 01844-352554  
 Email: enquiries@mauritron.co.uk

Receive (Transmit) DC Voltage









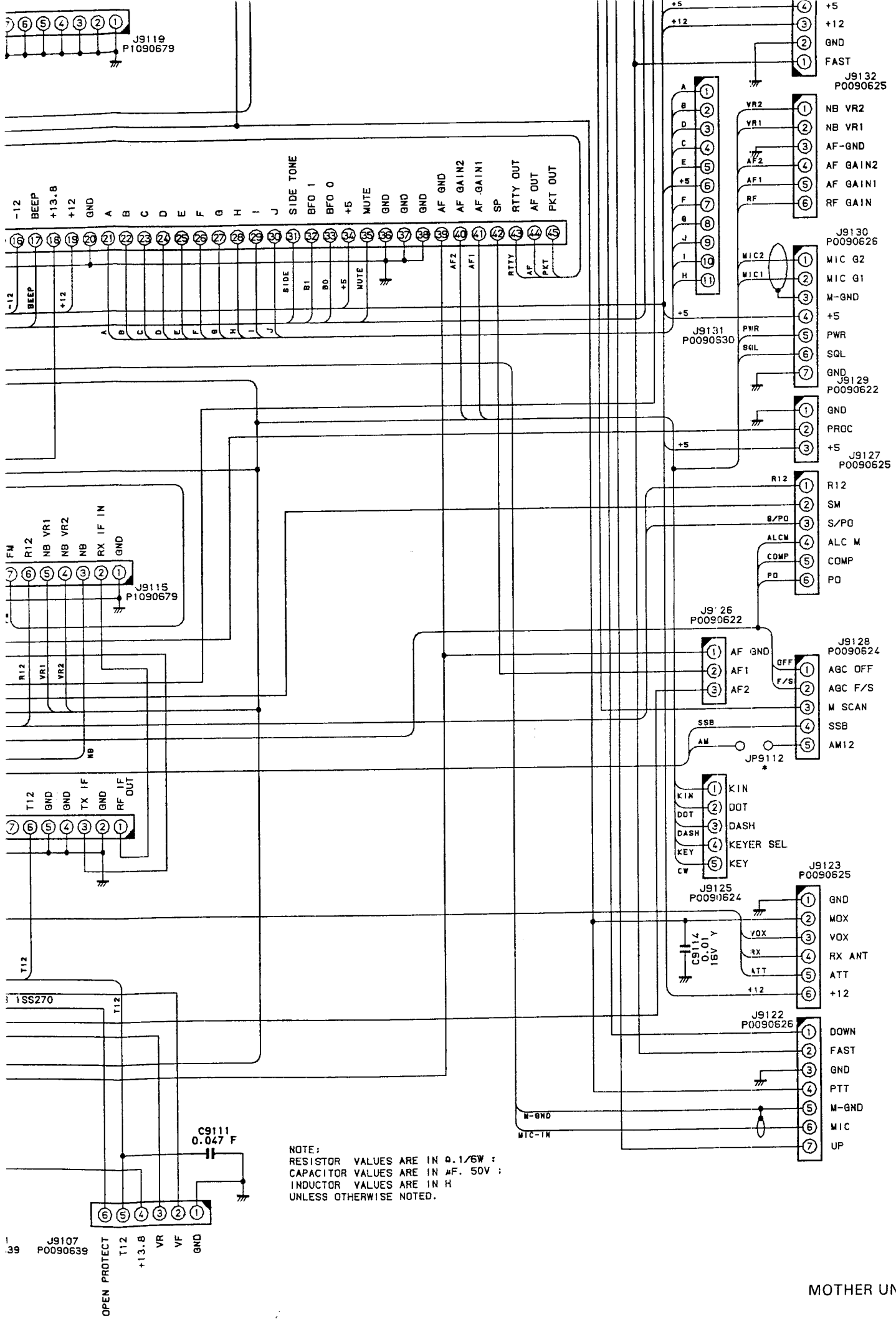
NOTE:  
 RESISTOR VALUES ARE IN Ω, 1/4  
 CAPACITOR VALUES ARE IN μF. !  
 INDUCTOR VALUES ARE IN H  
 UNLESS OTHERWISE NOTED.

JP9108  
 T9206017A

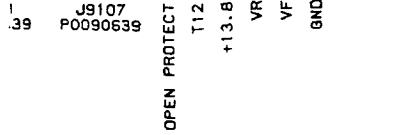
VR  
 VF  
 +13.8  
 +12  
 -12  
 GND  
 JP9109  
 T9206016A

IALC  
 GND  
 +5  
 -12  
 +12  
 +13.8  
 J9111  
 P0090639

J9107  
 P0090639  
 OPEN PROTECT  
 T12  
 +13.8  
 VR  
 VF  
 GND

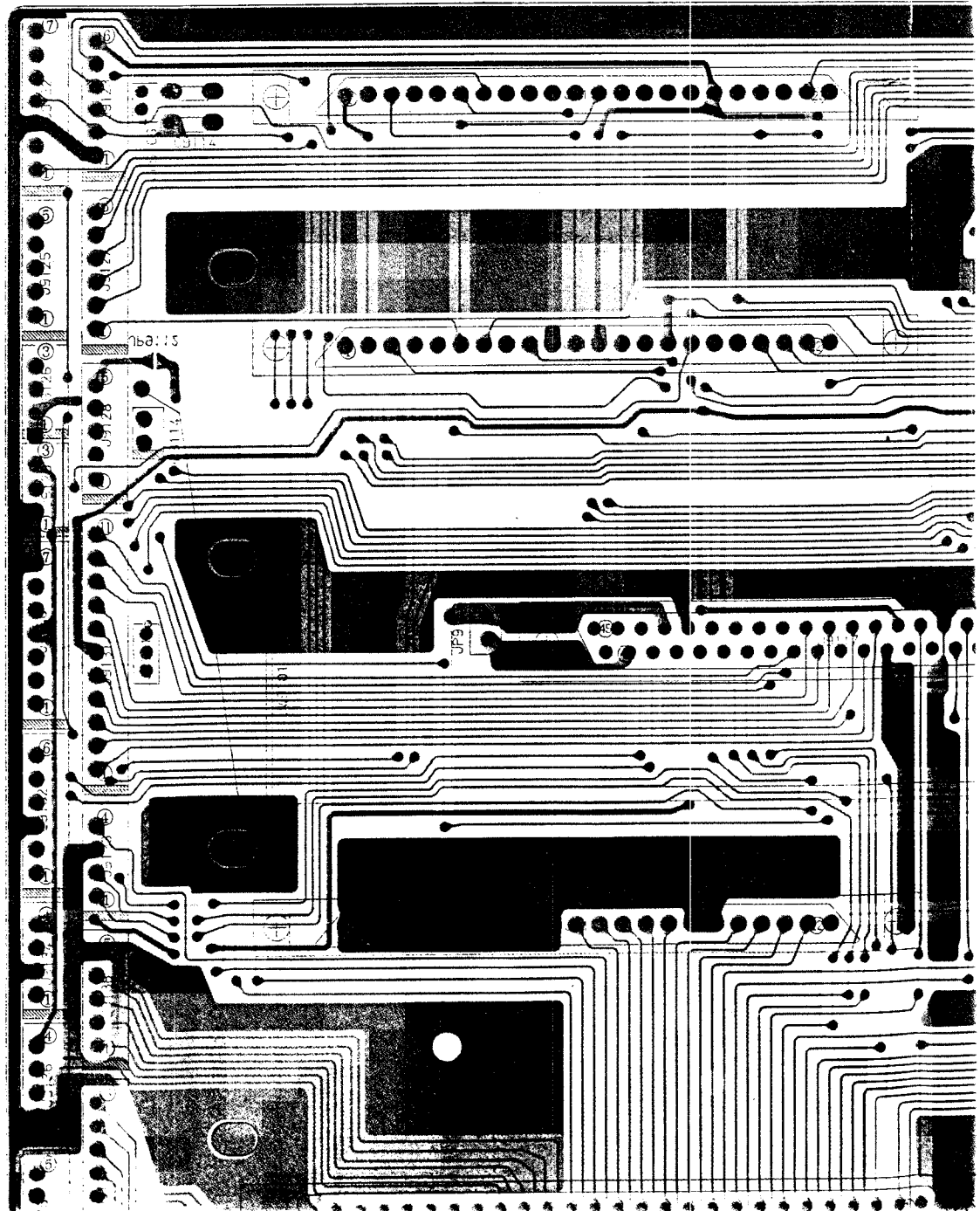


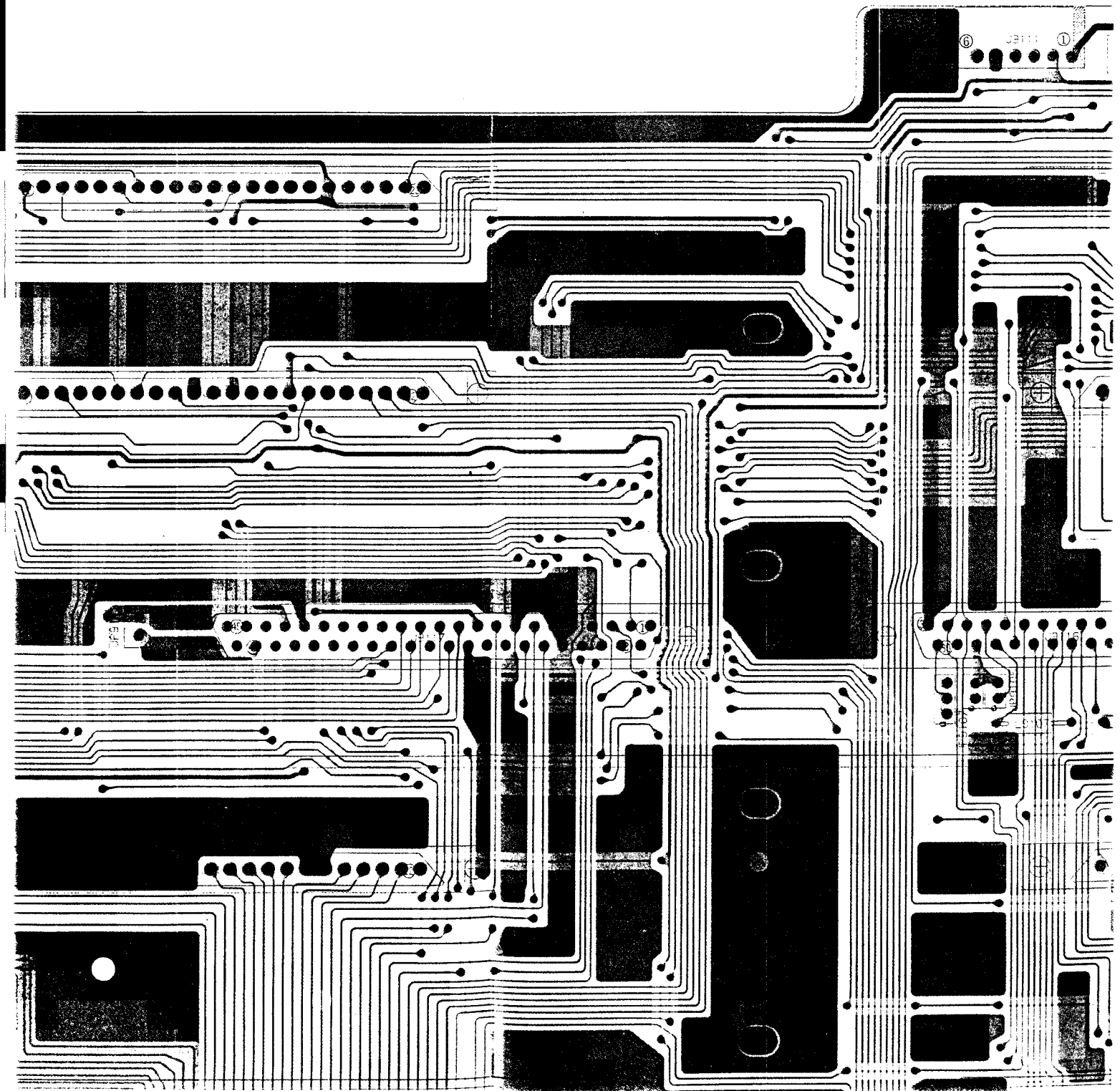
NOTE:  
 RESISTOR VALUES ARE IN 0.1/6W ;  
 CAPACITOR VALUES ARE IN 0.047F, 50V ;  
 INDUCTOR VALUES ARE IN H  
 UNLESS OTHERWISE NOTED.



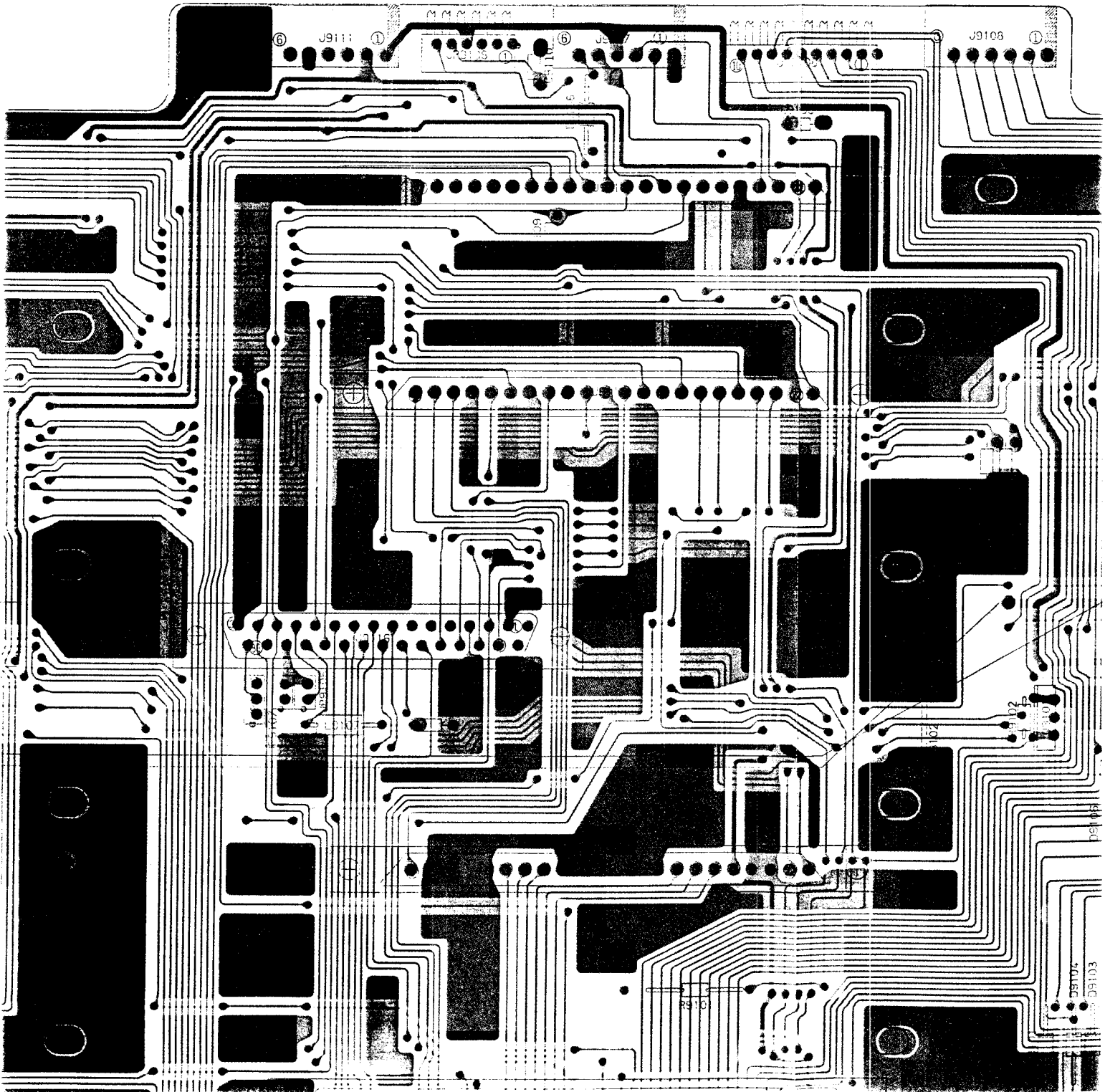
MOTHER UNIT

For Service Manuals Contact  
MAURITRON TECHNICAL SERVICES  
8 Cherry Tree Rd, Chinnor  
Oxon OX9 4QY  
Tel:- 01844-351694 Fax:- 01844-352554  
Email:- enquiries@mauritron.co.uk

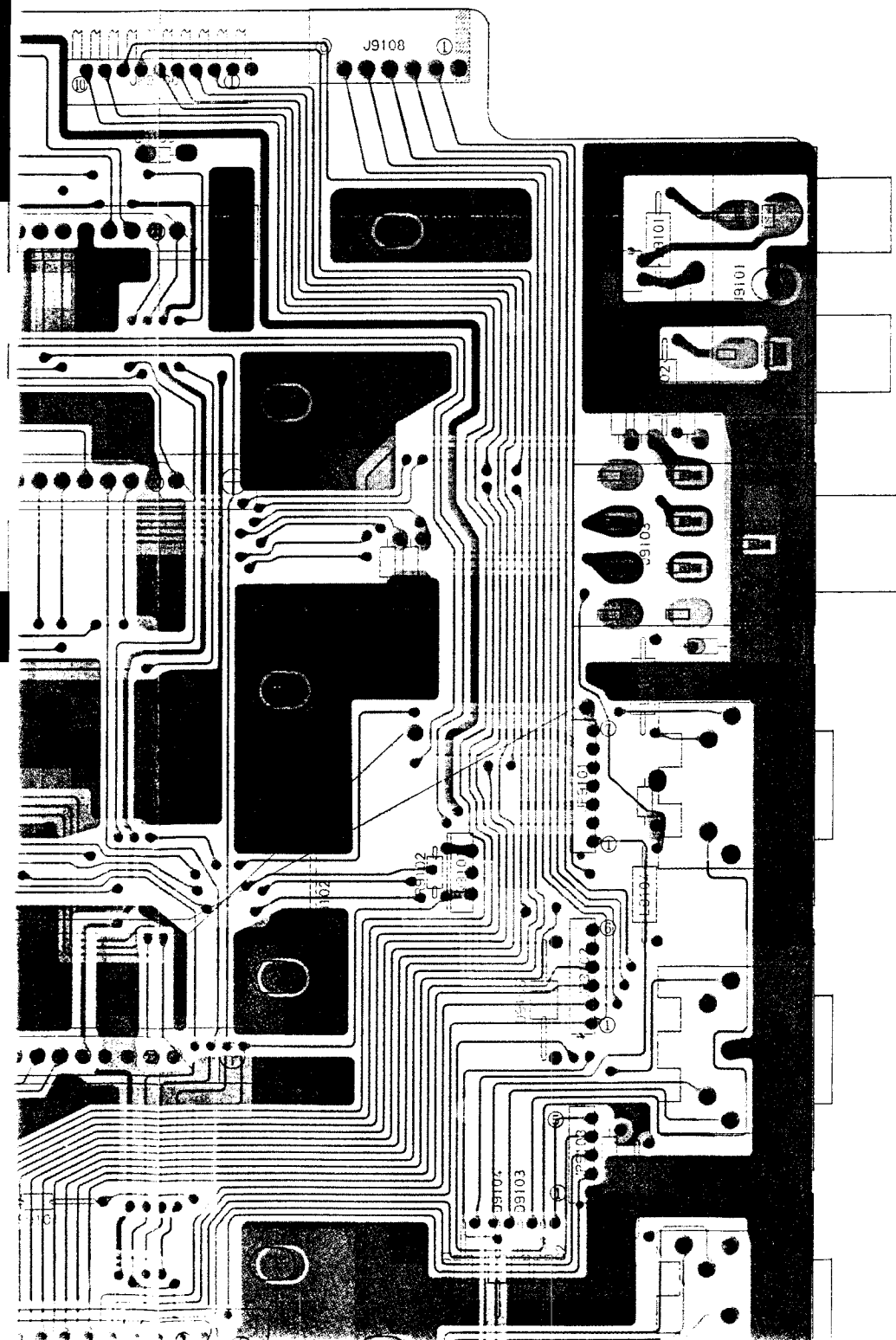


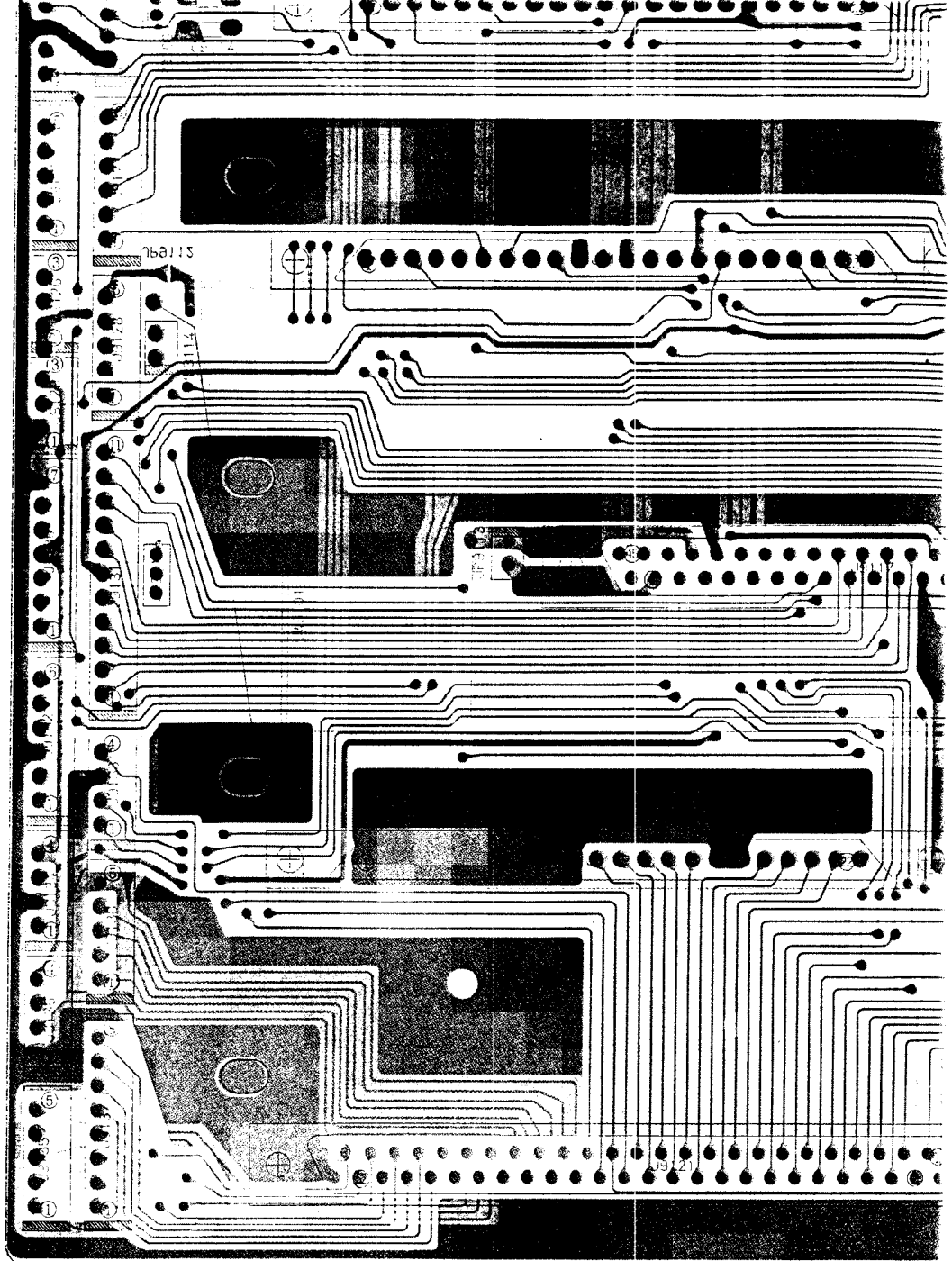


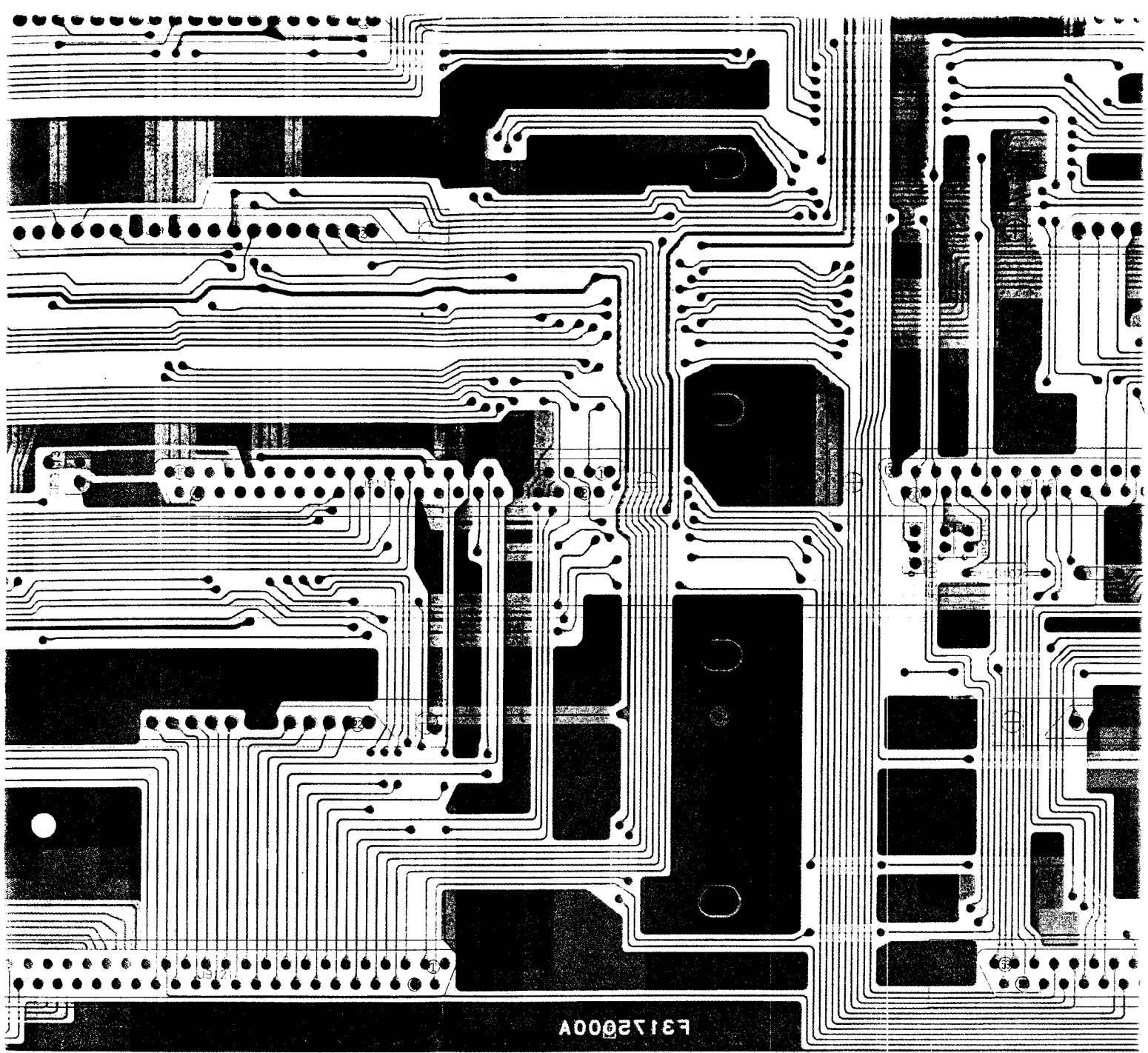
For Service Manuals Contact  
MAURITRON TECHNICAL SERVICES  
8 Cherry Tree Rd, Chinnor  
Oxon OX9 4QY  
Tel: 01844-351694 Fax: 01844-352554  
Email: enquiries@mauritron.co.uk



# Moterboard (Mother Unit)

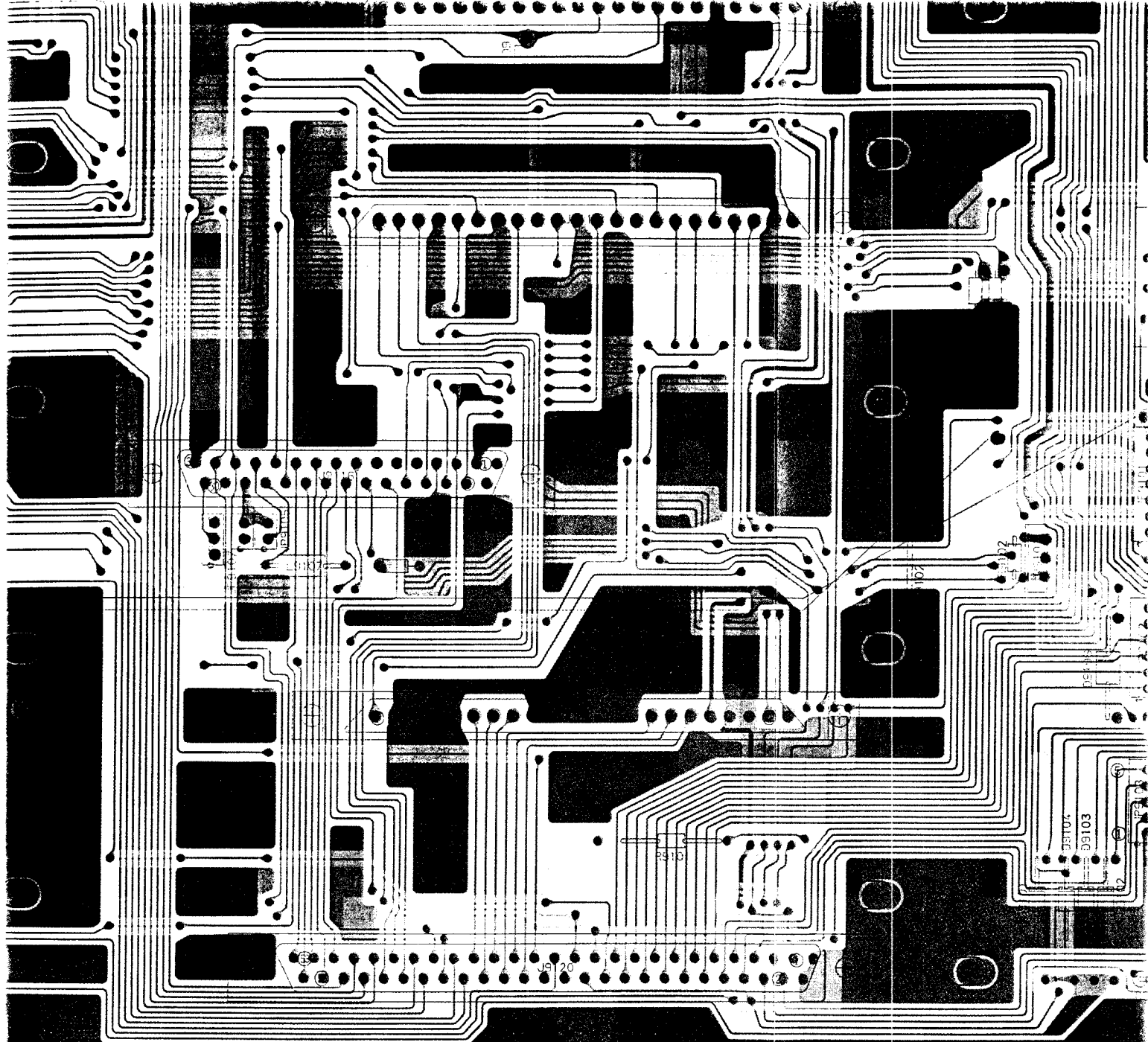


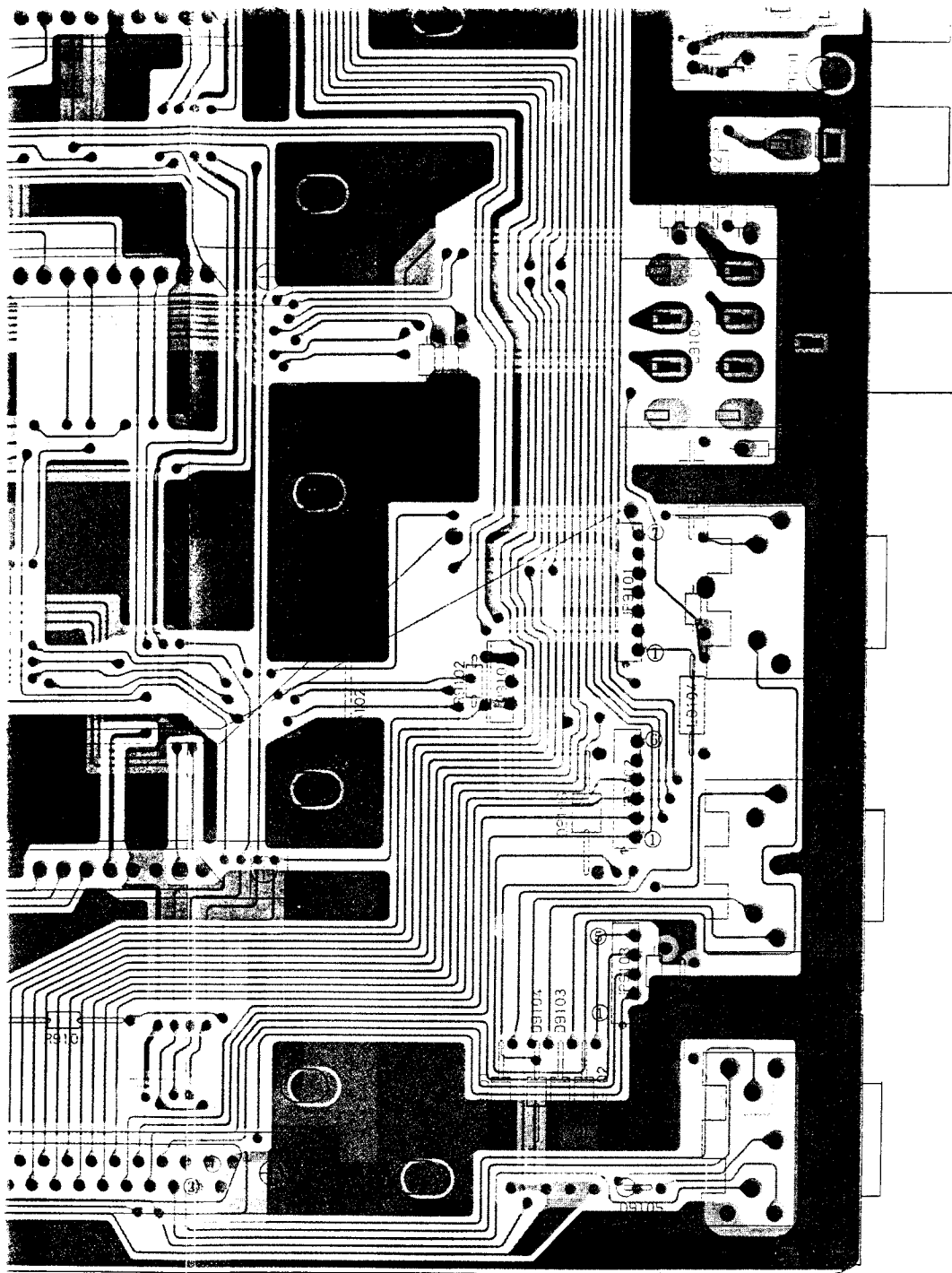




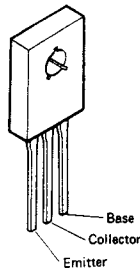
F317500A







(“component” side)

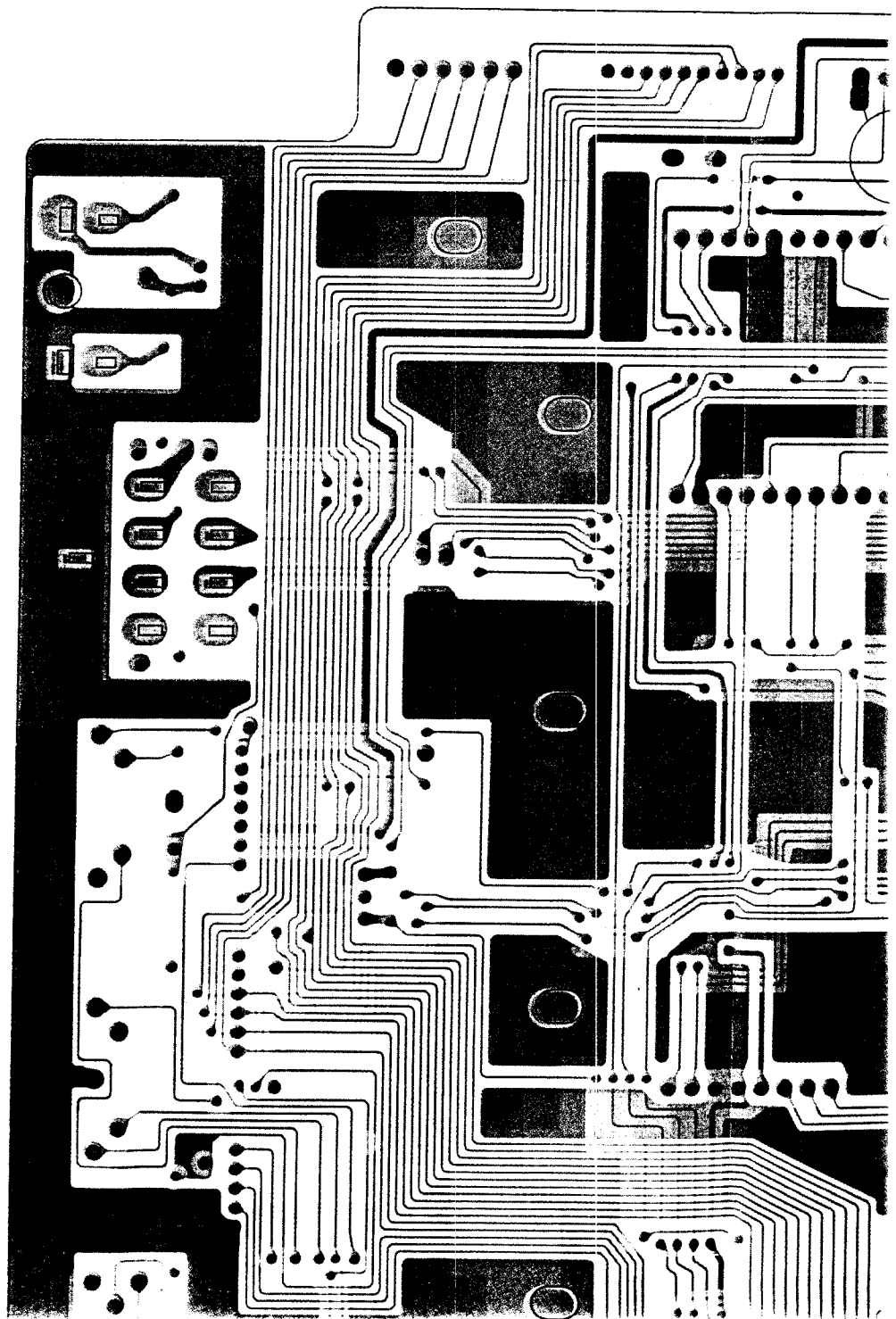


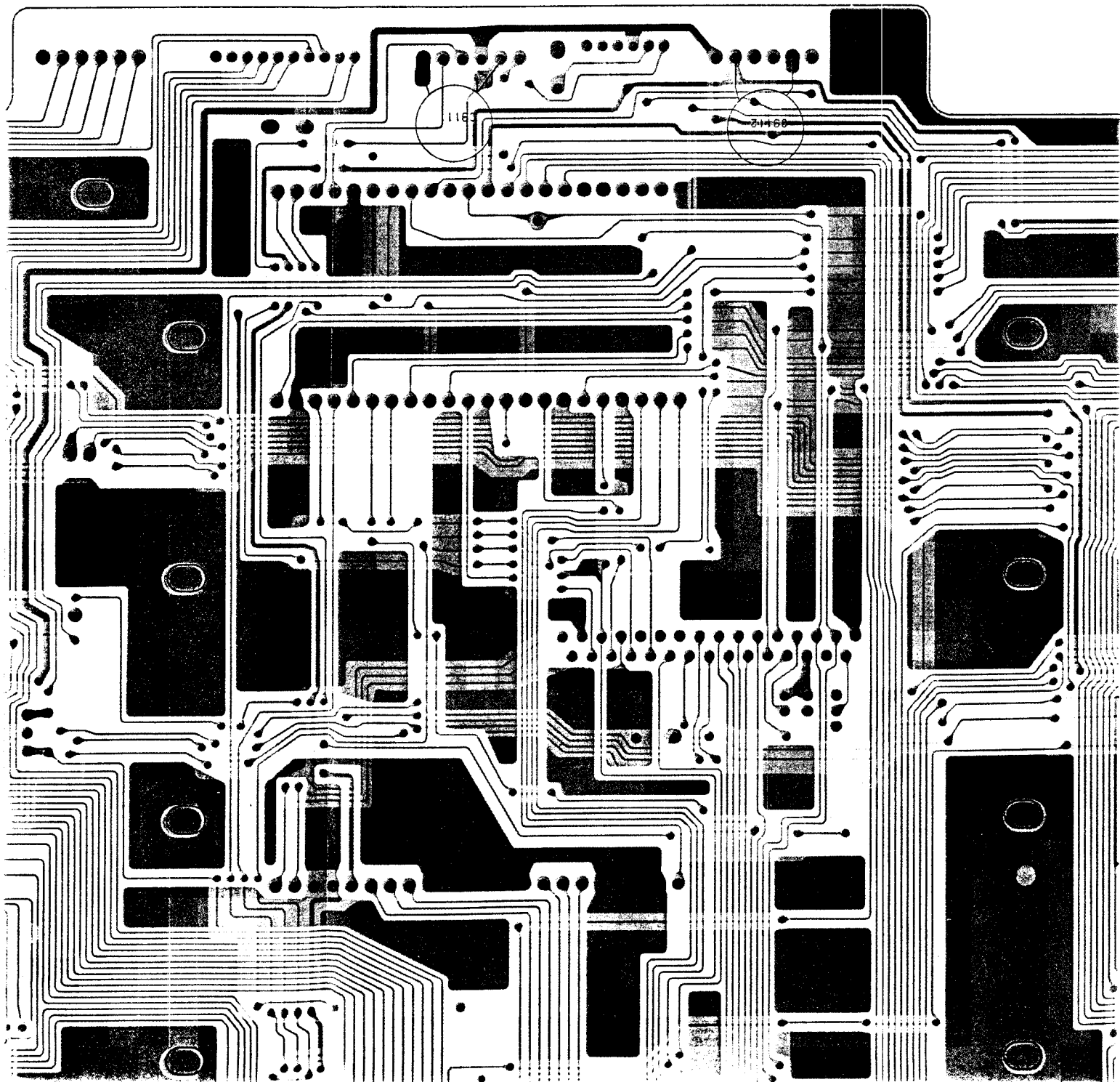
2SD669A  
(Q9101)

For Service Manuals Contact  
MAURITRON TECHNICAL SERVICES  
8 Cherry Tree Rd, Chinnor  
Oxon OX9 4QY  
Tel: 01844-351694 Fax: 01844-352554  
Email: enquiries@mauritron.co.uk

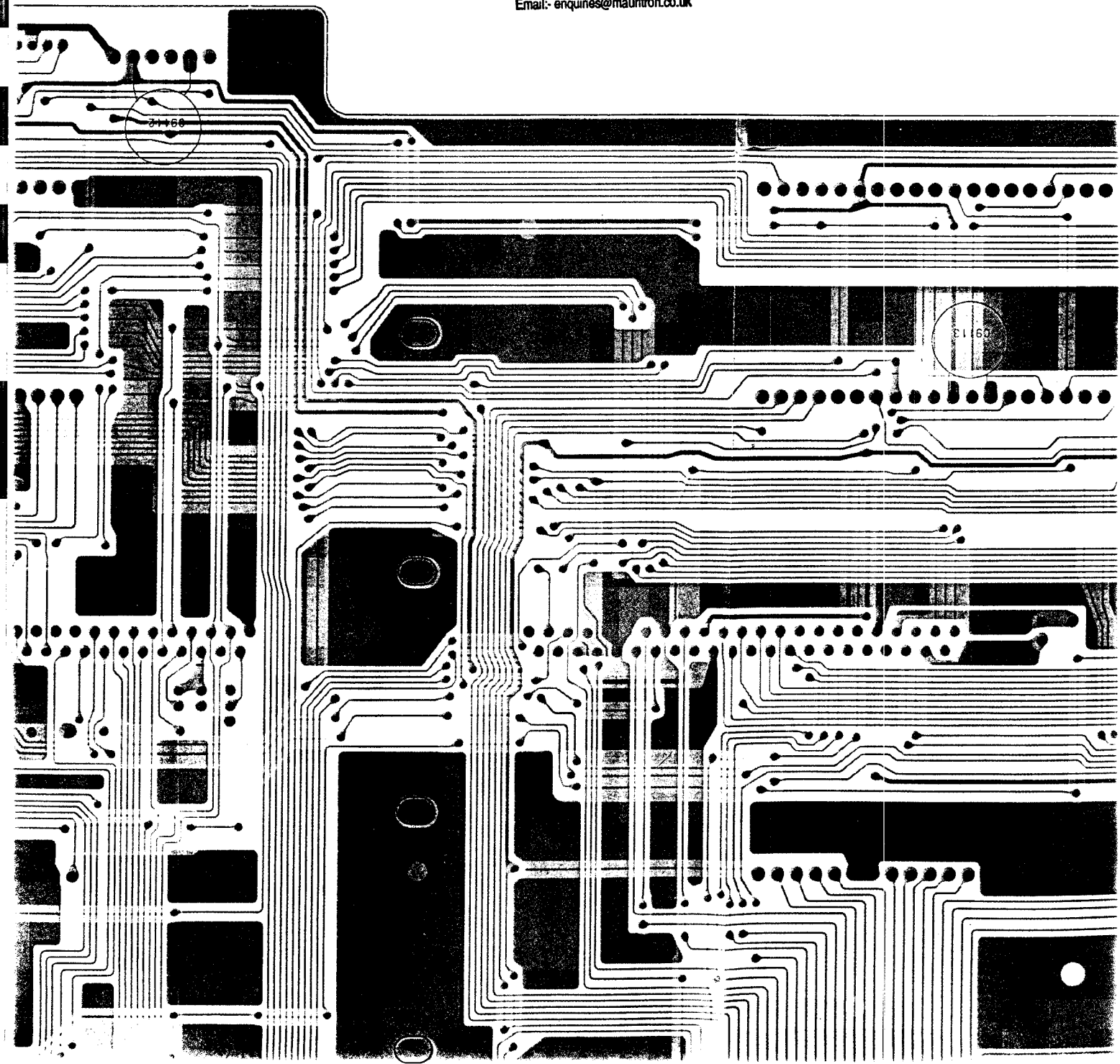
# Moterboard (Mother Unit)

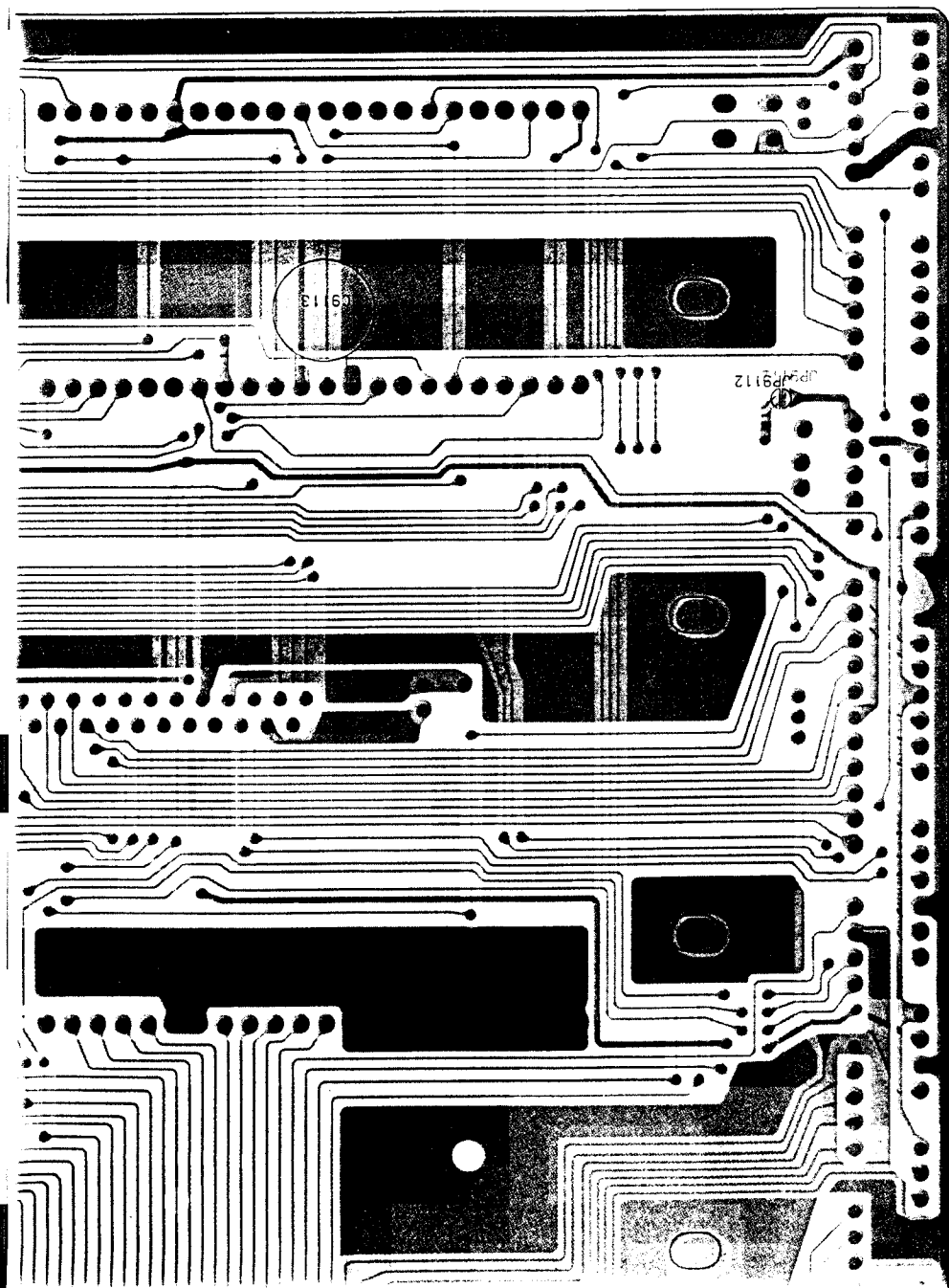
---

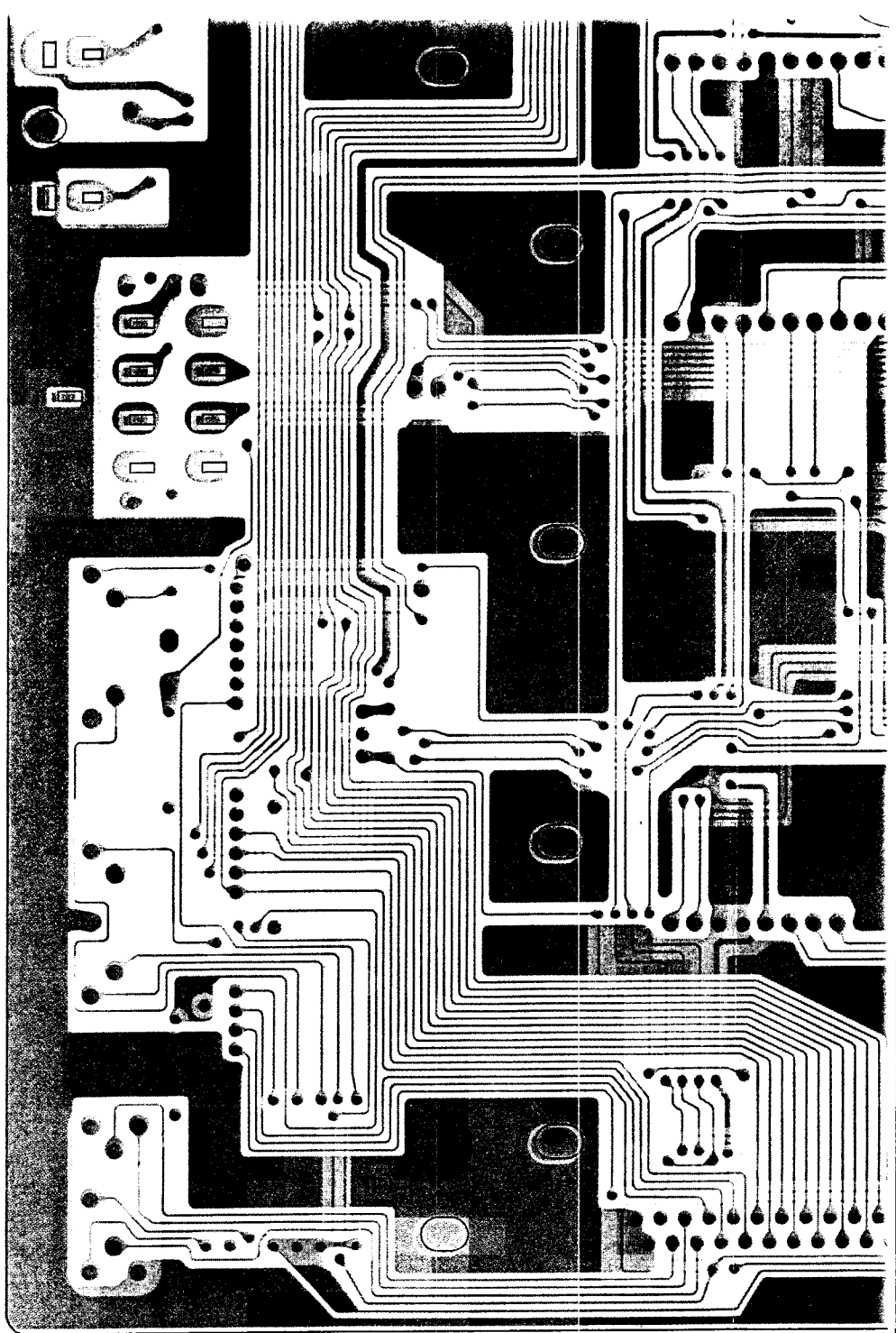


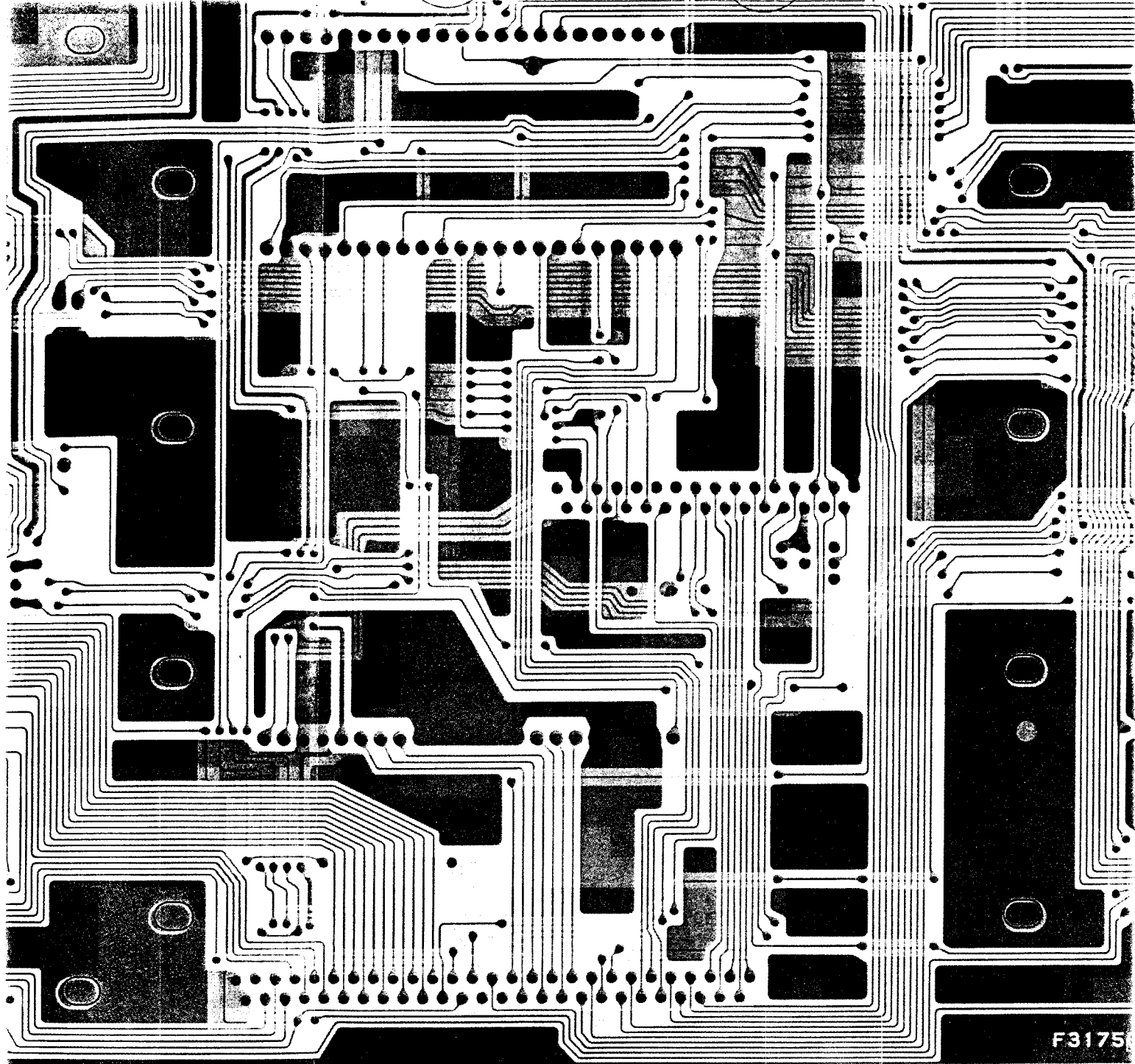


For Service Manuals Contact  
**MAURITRON TECHNICAL SERVICES**  
8 Cherry Tree Rd. Chinnor  
Oxon OX9 4QY  
Tel: 01844-351694 Fax: 01844-352554  
Email: enquiries@maurtron.co.uk



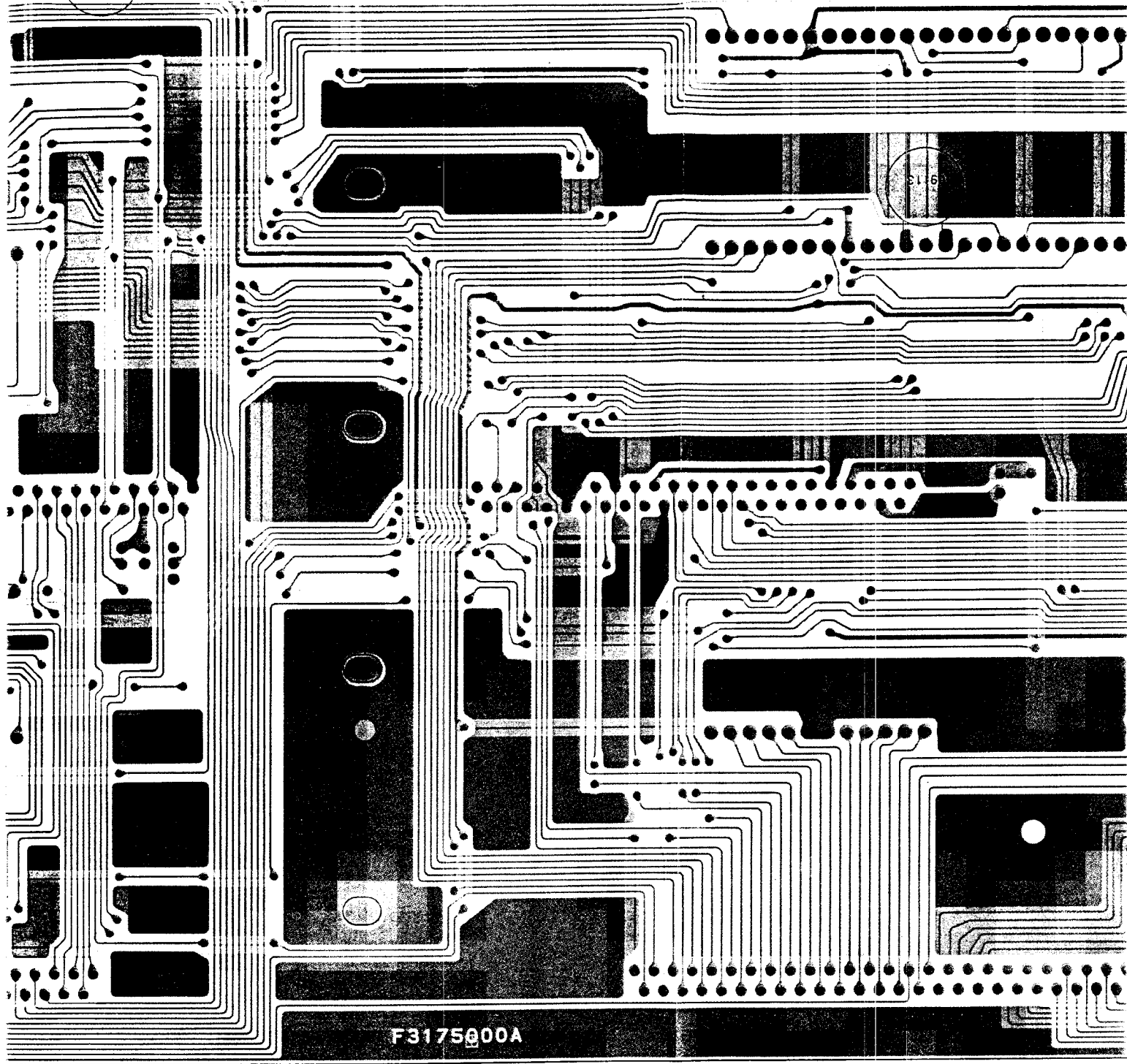




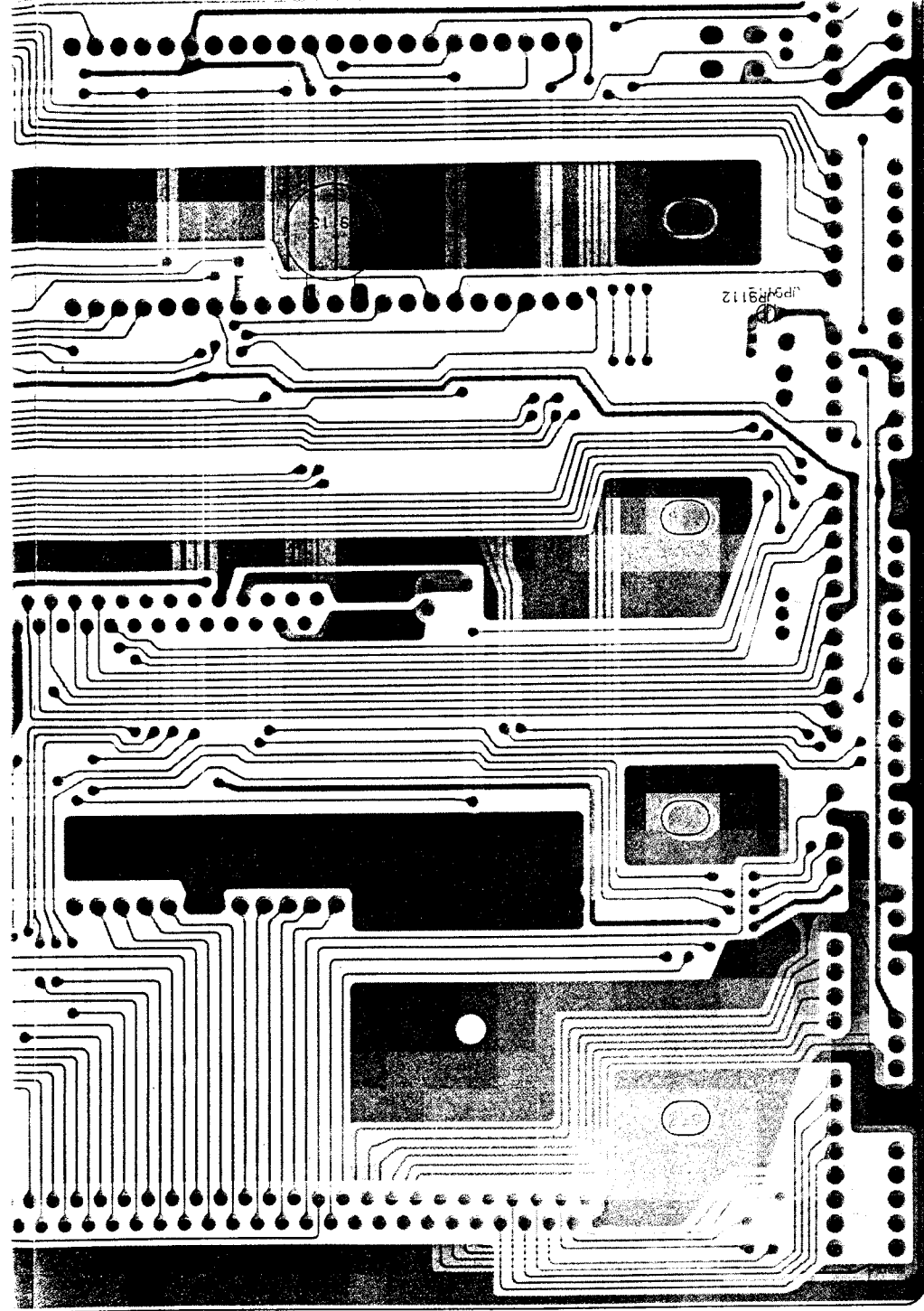


F3175





F3175000A



("solder" side)

# Moterboard (Mother Unit)

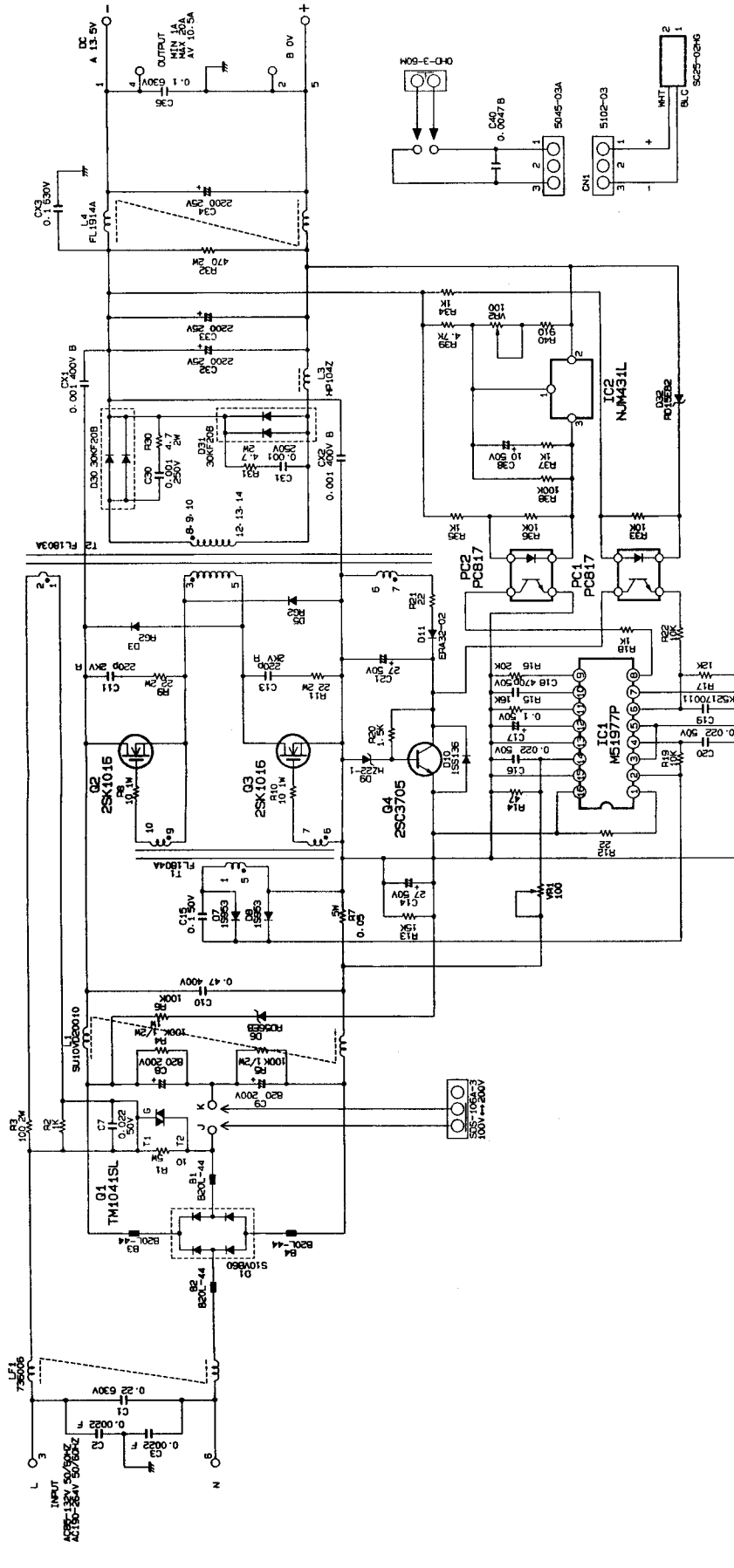
REF.	YAESU P/N	DESCRIPTION	MFR'S DESIG	VALUE	WV	TOL.	VERS.
*** MOTHER BOARD ***							
	CA0296001	P. C. B. W COMP.					
	F3175000A	P. C. B. W/O COMP.					
C 9108	K28129001	CERAMIC CAP.	EP050Y103N-A	0.01uF	16V	Y	
C 9109	K28129001	CERAMIC CAP.	EP050Y103N-A	0.01uF	16V	Y	
C 9110	K28129001	CERAMIC CAP.	EP050Y103N-A	0.01uF	16V	Y	
C 9111	K13179009	CERAMIC CAP.	DD110F473Z50	0.047uF	50V	F	
C 9112	K13179009	CERAMIC CAP.	DD110F473Z50	0.047uF	50V	F	
C 9113	K13179009	CERAMIC CAP.	DD110F473Z50	0.047uF	50V	F	
C 9114	K28129001	CERAMIC CAP.	EP050Y103N-A	0.01uF	16V	Y	
D 9101	G2090408	DIODE	1SS270				
D 9102	G2090408	DIODE	1SS270				
D 9103	G2090408	DIODE	1SS270				
D 9104	G2090408	DIODE	1SS270				
D 9105	G2090408	DIODE	1SS270				
D 9106	G2090002	DIODE	10D10				
D 9108	G2090408	DIODE	1SS270				
J 9101	P1090632	CONNECTOR	JPJ2042-01-120				
J 9103	P1090351	CONNECTOR	S-G4617#03				
J 9104	P1090645	CONNECTOR	TCS5073-14-4151				
J 9105	P1090646	CONNECTOR	TCS5073-15-4151				
J 9106	P1090648	CONNECTOR	TCS5073-17-4151				
J 9107	P0090639	CONNECTOR	SC25-06WL				
J 9108	P0090639	CONNECTOR	SC25-06WL				
J 9111	P0090639	CONNECTOR	SC25-06WL				
J 9112	P1090679	CONNECTOR	PCN6-22S-2.5DS				
J 9113	P1090679	CONNECTOR	PCN6-22S-2.5DS				
J 9114	P1090679	CONNECTOR	PCN6-22S-2.5DS				
J 9115	P1090679	CONNECTOR	PCN6-22S-2.5DS				
J 9116	P1090655	CONNECTOR	PCN5D-31ST-1.27DS				
J 9117	P1090656	CONNECTOR	PCN5D-45ST-1.27DS				
J 9118	P1090679	CONNECTOR	PCN6-22S-2.5DS				
J 9119	P1090679	CONNECTOR	PCN6-22S-2.5DS				
J 9120	P1090673	CONNECTOR	PCN5D-53ST-1.27DS				
J 9121	P1090673	CONNECTOR	PCN5D-53ST-1.27DS				
J 9122	P0090626	CONNECTOR	SC25-07WS				
J 9123	P0090625	CONNECTOR	SC25-06WS				
J 9125	P0090624	CONNECTOR	SC25-05WS				
J 9126	P0090622	CONNECTOR	SC25-03WS				
J 9127	P0090625	CONNECTOR	SC25-06WS				
J 9128	P0090624	CONNECTOR	SC25-05WS				
J 9129	P0090622	CONNECTOR	SC25-03WS				
J 9130	P0090626	CONNECTOR	SC25-07WS				
J 9131	P0090630	CONNECTOR	SC25-11WS				
J 9132	P0090625	CONNECTOR	SC25-06WS				
J 9133	P0090623	CONNECTOR	SC25-04WS				
J 9134	P0090623	CONNECTOR	SC25-04WS				
J 9135	P0090624	CONNECTOR	SC25-05WS				
J 9136	P0090623	CONNECTOR	SC25-04WS				
J 9137	P0090627	CONNECTOR	SC25-08WS				

For Service Manuals Contact  
**MAURITRON TECHNICAL SERVICES**  
 8 Cherry Tree Rd, Chinnor  
 Oxon OX9 4QY  
 Tel: 01844-351694 Fax: 01844-352554  
 Email: enquiries@mauritron.co.uk

# Motherboard (Mother Unit)

REF.	YAESU P/N	DESCRIPTION	MFGR'S DESIG	VALUE	WV	TOL.	VERS.
J 9138	P0090624	CONNECTOR	SC25-05WS				
JP9101	T9206038A	WIRE-ASSY					
JP9102	T9206039	WIRE-ASSY					
JP9103	T9206040	WIRE-ASSY					
JP9104	T9206056	WIRE-ASSY					
JP9106	T9206055	WIRE-ASSY					
JP9108	T9206017A	WIRE-ASSY					
JP9109	T9206016A	WIRE-ASSY					
JP9110	T9206077	WIRE-ASSY					
L 9101	L1190189	M. RFC	LAL03NA102K	1mH			
L 9102	L1190189	M. RFC	LAL03NA102K	1mH			
L 9103	L1190189	M. RFC	LAL03NA102K	1mH			
L 9104	L1190189	M. RFC	LAL03NA102K	1mH			
L 9105	L1190189	M. RFC	LAL03NA102K	1mH			
L 9107	L1190189	M. RFC	LAL03NA102K	1mH			
Q 9101	G3406691	TRANSISTOR	2SD669A				
R 9101	J01225102	CARBON FILM RES.	RD16PJ102	1K		1/6W	
R 9102	J01225472	CARBON FILM RES.	RD16PJ472	4.7K		1/6W	

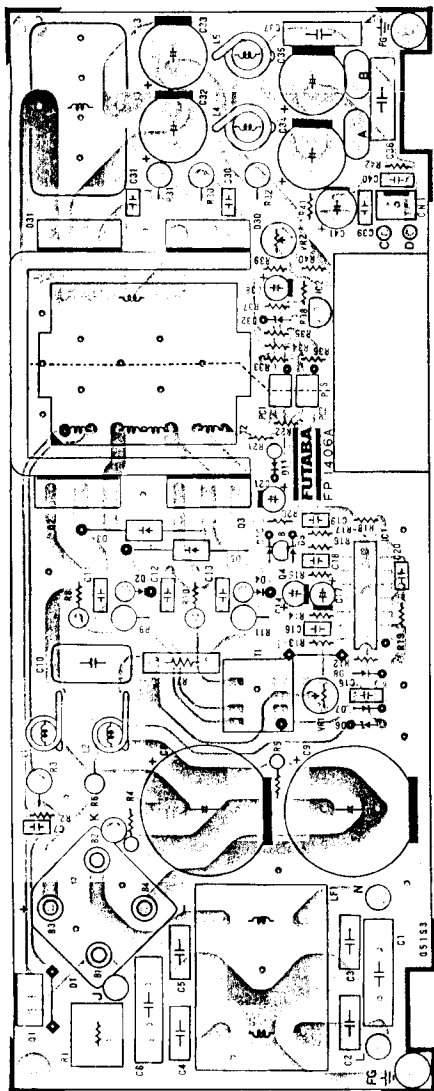
# Power Supply (PS) Unit



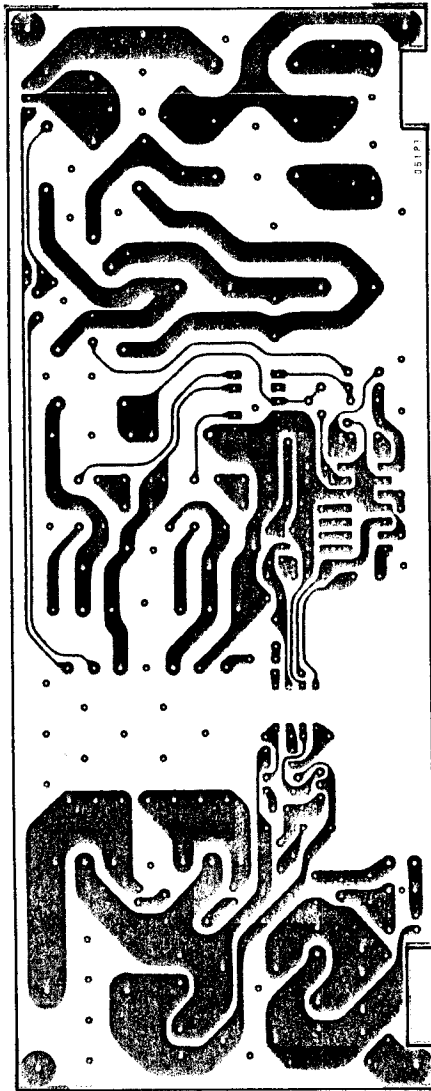
For Service Manuals Contact  
**MAURITRON TECHNICAL SERVICES**  
 8 Cherry Tree Rd, Chinnor  
 Oxon OX9 4QY  
 Tel: 01844-351694 Fax: 01844-352554  
 Email: enquiries@mauritron.co.uk

NOTE:  
 RESISTOR VALUES ARE IN  $\Omega$ , K $\Omega$ , M $\Omega$ .  
 CAPACITOR VALUES ARE IN pF,  $\mu$ F, 50V.  
 UNLESS OTHERWISE NOTED,  
 UNLESS OTHERWISE NOTED.

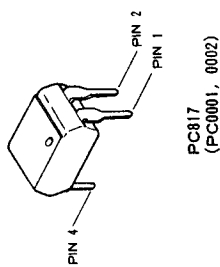
# Power Supply (PS) Unit



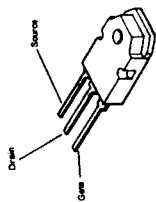
("component" side)



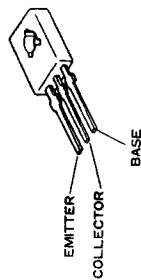
("solder" side)



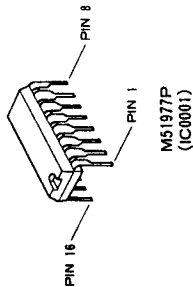
PC817  
(PC0001, 0002)



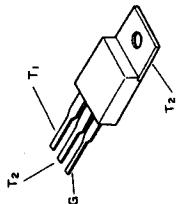
2SK1016  
(Q0002, 0003)



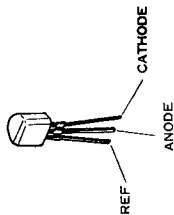
2SC3705  
(Q0004)



M5197P  
(IC0001)



TM1041SL  
(Q0001)



NJM431L  
(IC0002)

NJM431L (TO-92) CIRCUIT DIAGRAM

# Power Supply (PS) Unit

REF.	YAESU P/N	DESCRIPTION	MFRG'S DESIG	VALUE	WV	TOL.	VERS.
*** PS UNIT ***							
B 0001	L9190071	FERITE BEADS	B20L-44				
B 0002	L9190071	FERITE BEADS	B20L-44				
B 0003	L9190071	FERITE BEADS	B20L-44				
B 0004	L9190071	FERITE BEADS	B20L-44				
C 0001	K52280006	FILM CAP.	MMH224K630	0.22uF	630V		
C 0002	K13269003	CERAMIC CAP.	DE7100F222MVA1-KC	0.0022uF			F
C 0003	K13269003	CERAMIC CAP.	DE7100F222MVA1-KC	0.0022uF			F
C 0007	K52170008	FILM CAP.	AMZ223K50	0.22uF	50V		
C 0008	K40239004	AL. ELECTRO. CAP.	CEAWF2D821M20	820uF	200V		
C 0009	K40239004	AL. ELECTRO. CAP.	CEAWF2D821M20	820uF	200V		
C 0010	K52260001	FILM CAP.	ECQE4474KF	0.47uF	400V		
C 0011	K10339001	CERAMIC CAP.	DE5077R221K2K	220pF	2KV		R
C 0013	K10339001	CERAMIC CAP.	DE5077R221K2K	220pF	2KV		R
C 0014	K40179051	AL. ELECTRO. CAP.	ECEA1HFE270	27uF	50V		
C 0015	K52170009	FILM CAP.	AMZ104K50	0.1uF	50V		
C 0016	K52170008	FILM CAP.	AMZ223K50	0.022uF	50V		
C 0017	K40179054	AL. ELECTRO. CAP.	CEUSM1HR10	0.1uF	50V		
C 0018	K52170010	FILM CAP.	AMZ471K50	470pF	50V		
C 0019	K52170011	FILM CAP.	AMZ473K50	0.047uF	50V		
C 0020	K52170008	FILM CAP.	AMZ223K50	0.022uF	50V		
C 0021	K40179051	AL. ELECTRO. CAP.	ECEA1HFE270	27uF	50V		
C 0030	K52240005	FILM CAP.	AMZ102K250	0.001uF	250V		
C 0031	K52240005	FILM CAP.	AMZ102K250	0.001uF	250V		
C 0032	K40149038	AL. ELECTRO. CAP.	ECA1EFQ222L	2200uF	25V		
C 0033	K40149038	AL. ELECTRO. CAP.	ECA1EFQ222L	2200uF	25V		
C 0034	K40149038	AL. ELECTRO. CAP.	ECA1EFQ222L	2200uF	25V		
C 0036	K52280007	FILM CAP.	MMH104K630	0.1uF	630V		
C 0038	K40179053	AL. ELECTRO. CAP.	CEUSM1H100	10uF	50V		
C 0040	K10179038	CERAMIC CAP.	DD108B472K50	0.0047uF	50V		B
CN0001	P0090219	CONNECTOR	5045-03A				
CX0001	K10269002	CERAMIC CAP.	DE7090B102KVA1-KC	0.001uF	400V		B
CX0002	K10269002	CERAMIC CAP.	DE7090B102KVA1-KC	0.001uF	400V		B
CX0003	K52280008	FILM CAP.	MMH103K630	0.01uF	630V		
D 0001	G2090501	DIODE	S10VB60				
D 0003	G2090502	DIODE	RG2				
D 0005	G2090502	DIODE	RG2				
D 0006	G2090503	DIODE	RD56EB				
D 0007	G2009530	DIODE	1S953				
D 0008	G2009530	DIODE	1S953				
D 0009	G2090455	DIODE	HZ22-1				
D 0010	G2090504	DIODE	1SS136				
D 0011	G2090505	DIODE	ERA32-02				
D 0030	G2090506	DIODE	30KF20B				
D 0031	G2090506	DIODE	30KF20B				
D 0032	G2090507	DIODE	RD15EB2				
IC0001	G1091275	IC	M51977P				
IC0002	G1091276	IC	NJM431L				
L 0001	S8100251	RFC	SU10VD20010				

For Service Manuals Contact  
**MAURITRON TECHNICAL SERVICES**  
 8 Cherry Tree Rd, Chinnor  
 Oxon OX9 4QY  
 Tel:- 01844-351694 Fax:- 01844-352554  
 Email:- enquiries@mauritron.co.uk

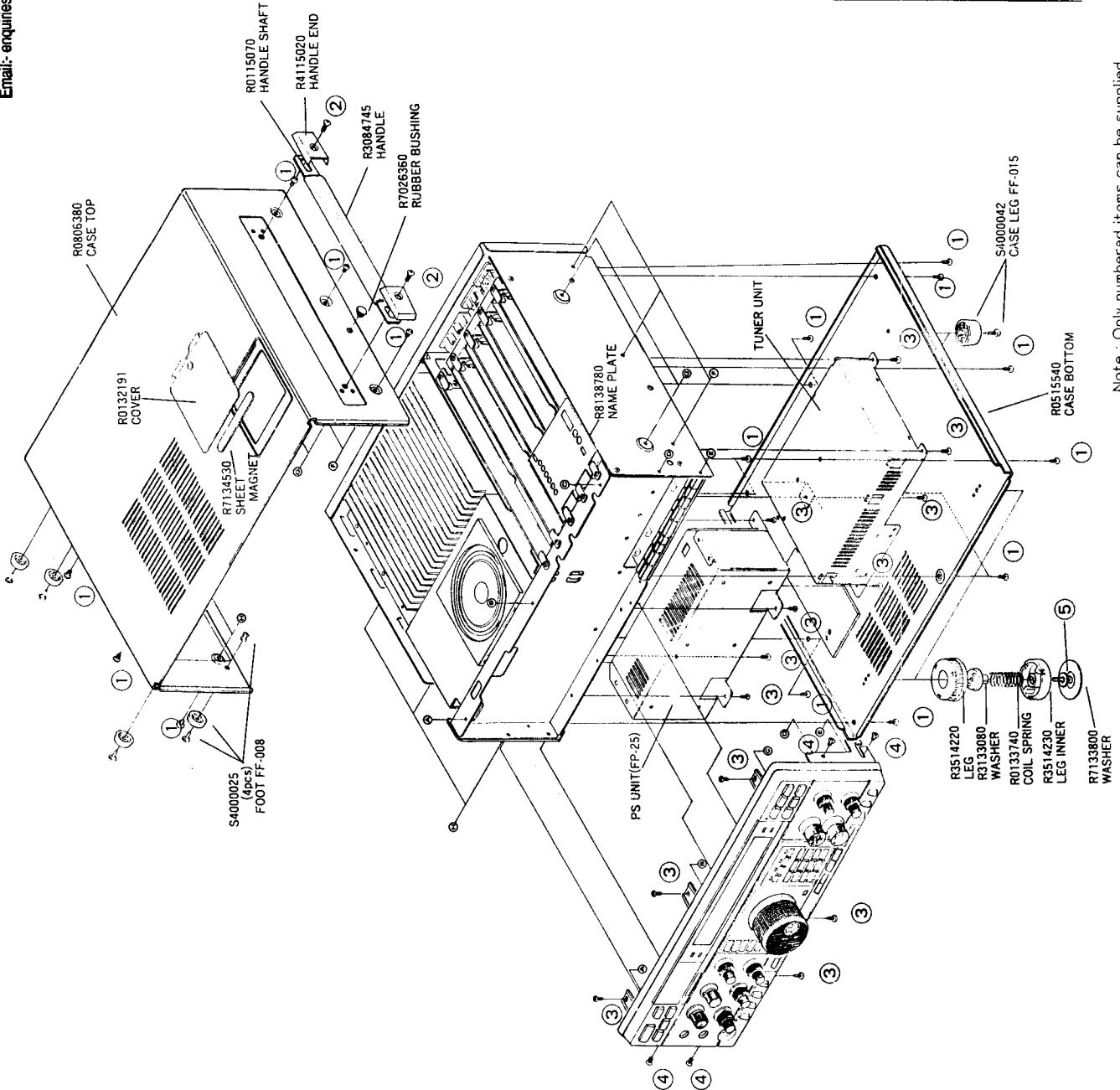
# Power Supply (PS) Unit

REF.	YAESU P/N	DESCRIPTION	MFGR'S DESIG	VALUE	WV	TOL.	VERS.
L 0003	S8100205	RFC	HP104Z				
L 0004	S8100252	RFC	FL1914A				
LF0001	S8100201	LINE FILTER	736006				
PC0001	G0090006	PHOTO COUPLER	PC817				
PC0002	G0090006	PHOTO COUPLER	PC817				
Q 0001	G3090096	TRIAC	TM1041SL				
Q 0002	G3810160	FET	2SK1016				
Q 0003	G3810160	FET	2SK1016				
Q 0004	G3337050	TRANSISTOR	2SC3705				
R 0001	J31379001	FUSE RES.	A53K10J 10	10	5W		
R 0002	J01225102	CARBON FILM RES.	RD16PJ102	1K	1/6W		
R 0003	J22335101	METAL FILM RES.	ERG-2SJ101	100	2W		
R 0004	J01275104	CARBON FILM RES.	RD12TJ104	100K	1/2W		
R 0005	J01275104	CARBON FILM RES.	RD12TJ104	100K	1/2W		
R 0006	J22305104	METAL FILM RES.	RSU1-100K J	100K	1W		
R 0007	J31379002	CEMENT RES.	MPC75-0.05 K	0.05	5W		
R 0008	J22305100	METAL FILM RES.	ERG-1SJ100 10	10	1W		
R 0009	J22335220	METAL FILM RES.	ERG-2SJ220	22	2W		
R 0010	J22305100	METAL FILM RES.	ERG-1SJ100 10	10	1W		
R 0011	J22335220	METAL FILM RES.	ERG-2SJ220	22	2W		
R 0012	J01225220	CARBON FILM RES.	RD16PJ220	22	1/6W		
R 0013	J01225153	CARBON FILM RES.	RD16PJ153	15K	1/6W		
R 0014	J01225470	CARBON FILM RES.	RD16PJ470	47	1/6W		
R 0015	J01225163	CARBON FILM RES.	RD16PJ163	16K	1/6W		
R 0016	J01225203	CARBON FILM RES.	RD16PJ203	20K	1/6W		
R 0017	J01225123	CARBON FILM RES.	RD16PJ123	12K	1/6W		
R 0018	J01225102	CARBON FILM RES.	RD16PJ102	1K	1/6W		
R 0019	J01225103	CARBON FILM RES.	RD16PJ103	10K	1/6W		
R 0020	J01225152	CARBON FILM RES.	RD16PJ152	1.5K	1/6W		
R 0021	J01225220	CARBON FILM RES.	RD16PJ220	22	1/6W		
R 0022	J01225103	CARBON FILM RES.	RD16PJ103	10K	1/6W		
R 0030	J22335479	METAL FILM RES.	ERX-2SJ4R7	4.7	2W		
R 0031	J22335479	METAL FILM RES.	ERX-2SJ4R7	4.7	2W		
R 0032	J22339007	METAL FILM RES.	ERG-2SJ471	470	2W		
R 0033	J01225103	CARBON FILM RES.	RD16PJ103	10K	1/6W		
R 0034	J01225102	CARBON FILM RES.	RD16PJ102	1K	1/6W		
R 0035	J01225102	CARBON FILM RES.	RD16PJ102	1K	1/6W		
R 0036	J01225103	CARBON FILM RES.	RD16PJ103	10K	1/6W		
R 0037	J01225102	CARBON FILM RES.	RD16PJ102	1K	1/6W		
R 0038	J01225104	CARBON FILM RES.	RD16PJ104	100K	1/6W		
R 0039	J01225472	CARBON FILM RES.	RD16PJ472	4.7K	1/6W		
R 0040	J01225911	CARBON FILM RES.	RD16PJ911	910	1/6W		
T 0001	S8100202	DRIVER TRANS.	FL1804A				
T 0002	S8100203	CONVERTER TRANS.	FL1803A				
VR0001	S8100207	POT.	EVN-38C-A00-B12	100			
VR0002	S8100207	POT.	EVN-38C-A00-B12	100			



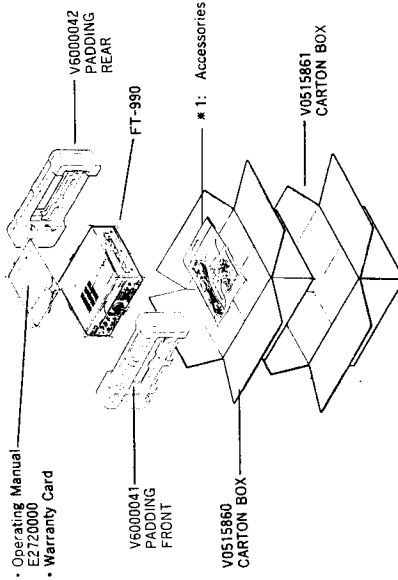
# Mechanical Details

For Service Manuals Contact  
**MAURITRON TECHNICAL SERVICES**  
 8 Cherry Tree Rd, Chinnor  
 Oxon OX9 4QY  
 Tel: 01844-351694 Fax: 01844-352554  
 Email: enquiries@mauratron.co.uk



SCREW LIST			
Ref. No.	YAESU P/N	Description	Qty.
1	U20404007	BINDING HEAD SCREW M4 X 4B	16
2	U31410007	OVAL HEAD SCREW M4 X 10B	2
3	U24305001	TAPTITE SCREW M3 X 5	13
4	U46308201	TAPPING SCREW M3 X 8	4
5	U22416007	SEMS SCREW HM4 X 16B	2

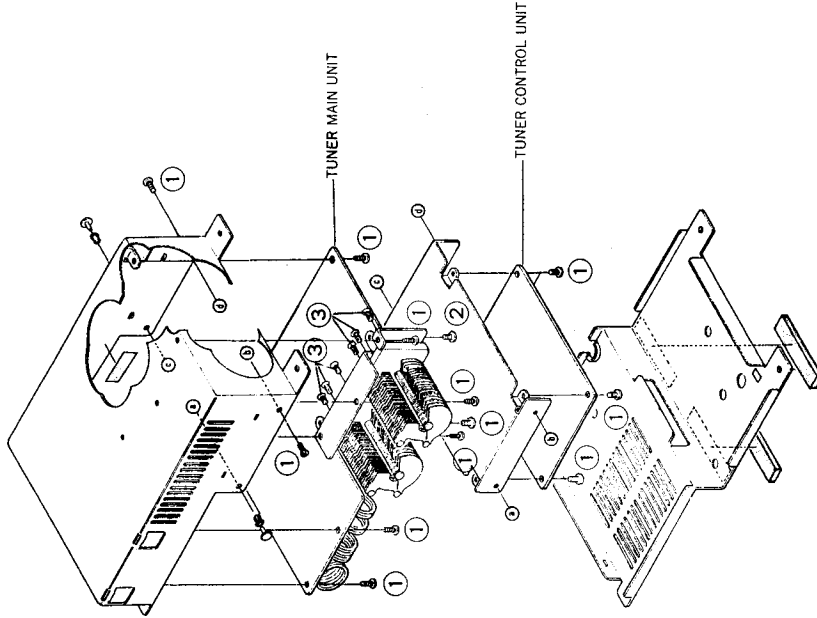
## Packaging



- \* 1: Accessories
- 1/2-inch, 3-contact Plug S-H3603 (P0090008)
- 1/4-inch, 2-contact Plug C107 (P0090034)
- RCA Plug T-1447 (P0090544)
- 4-pin DIN Plug E4-701B-00 (P0090724)
- 5-pin DIN Plug E5-701B-00 (P0090725)
- 8-pin DIN Plug E8G-701B-00 (P0090816)
- AC Cords
- T9013280 117V 2W, 220V 2W VOL. 21, 41
- T9013282 117V 3W (UL) VOL. 22
- T9013283 234V 3WP VOL. 54
- T9013285 220V 3W (EU), 234V 3W (EU) VOL. 43, 53
- Fuses
- Q0000006 4A VOL. 21, 22
- Q0000039 8A VOL. 41, 43, 53, 54

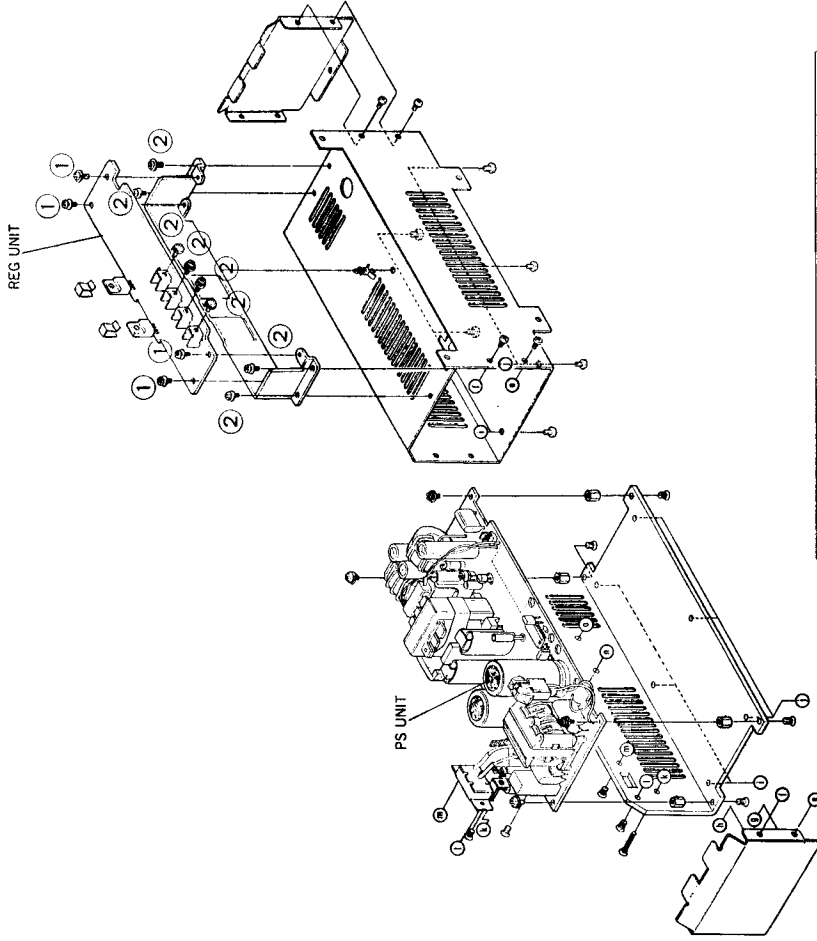
Note : Only numbered items can be supplied.

Exploded View (Tuner Unit)



SCREW LIST			
Ref No	YAESU P/N	Description	Qty.
①	U24305001	TAPTITE SCREW M3X5	15
②	U24308001	TAPTITE SCREW M3X8	1
③	U30306001	FLAT HEAD SCREW M3X6	6

Exploded View (PS Unit)



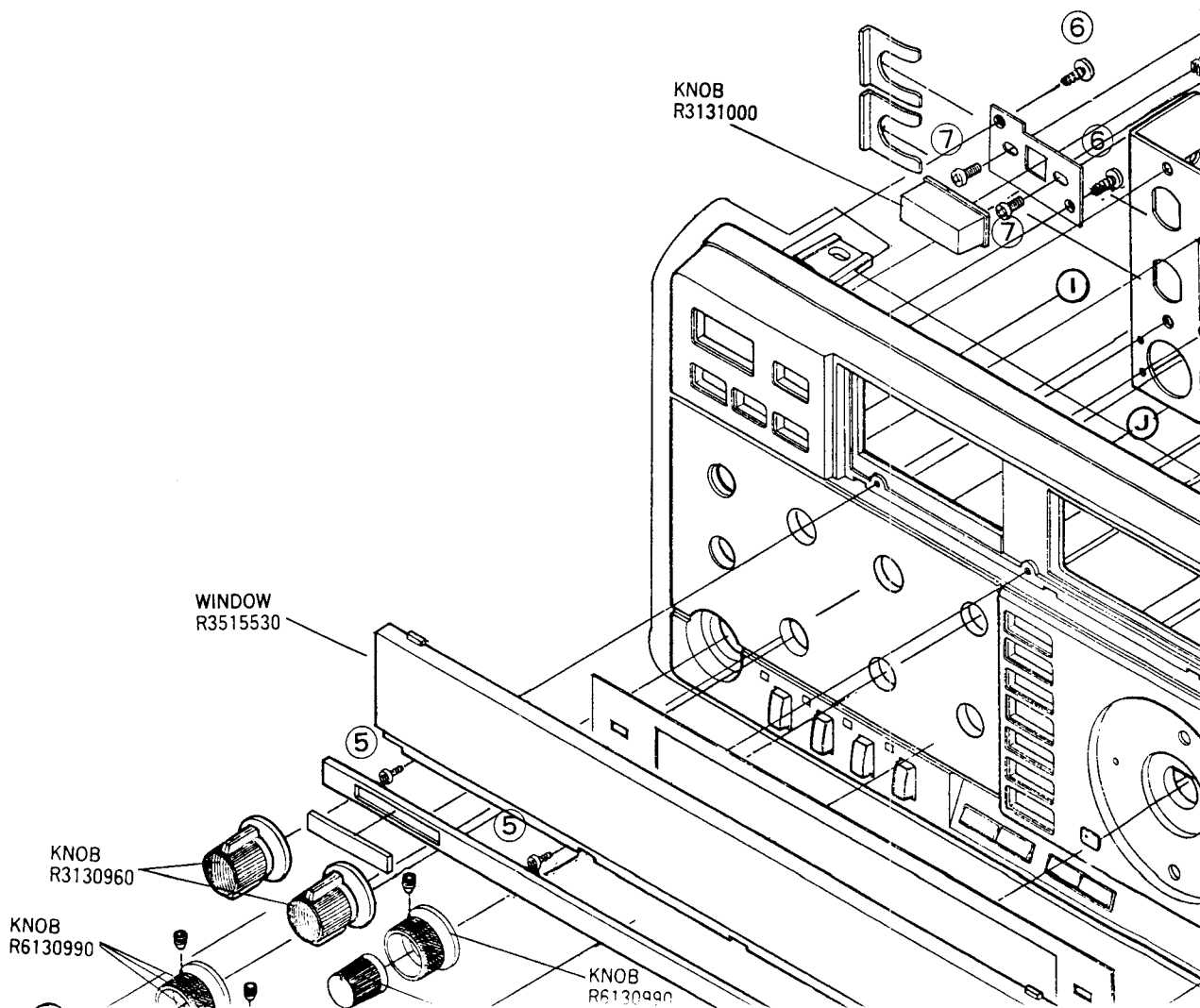
SCREW LIST			
Ref No	YAESU P/N	Description	Qty.
①	U24305001	TAPTITE SCREW M3X5	4
②	U03306001	SEMS SCREW ASM3X6	8

Note : Only numbered items can be supplied.

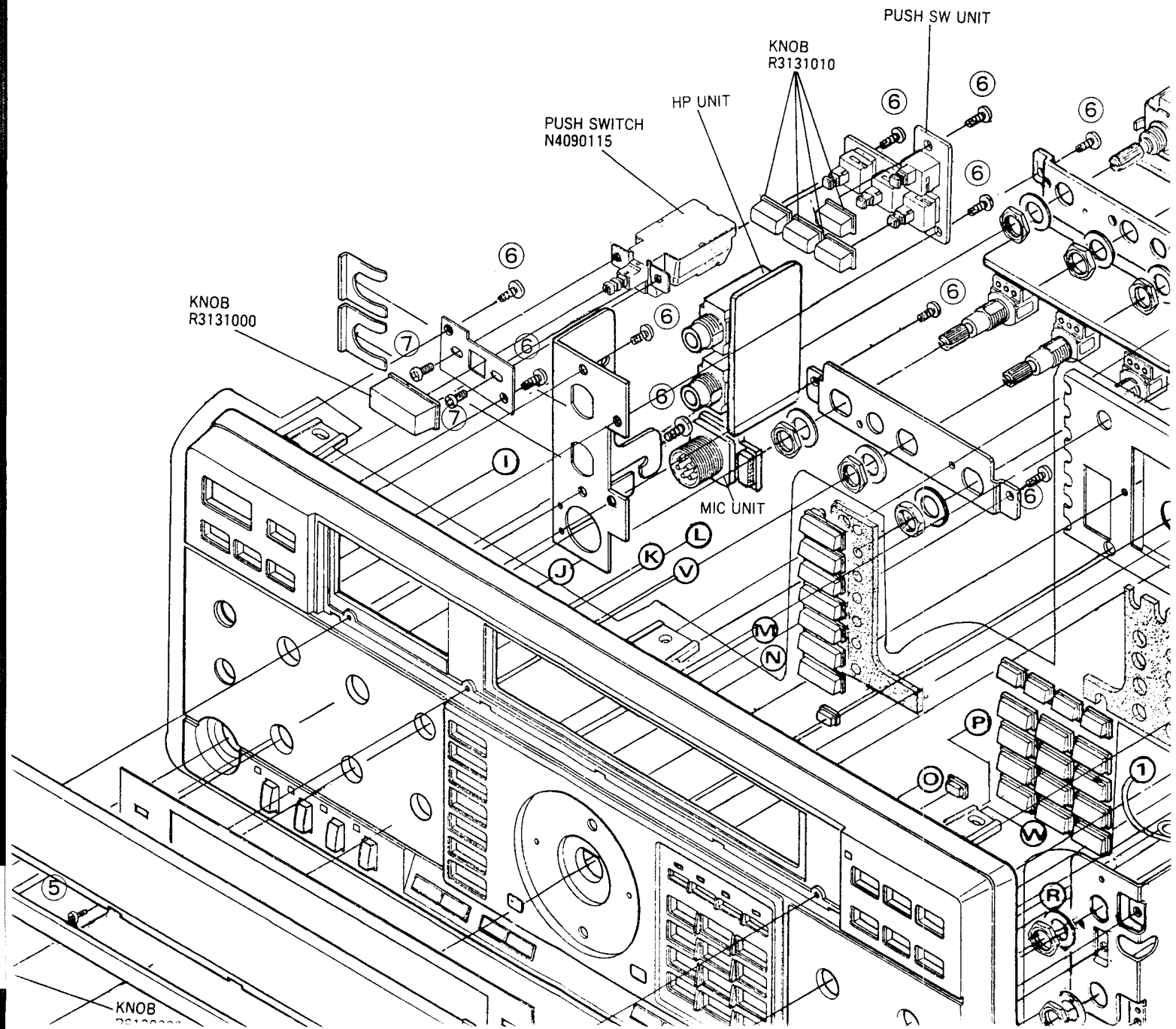
## Exploded View (Front Panel Assembly)

For Service Manuals Contact  
MAURITRON TECHNICAL SERVICES  
8 Cherry Tree Rd, Chinnor  
Oxon OX9 4QY  
Tel:- 01844-351694 Fax:- 01844-352554  
Email:- enquiries@mauritron.co.uk

PUSH SW  
N4090115

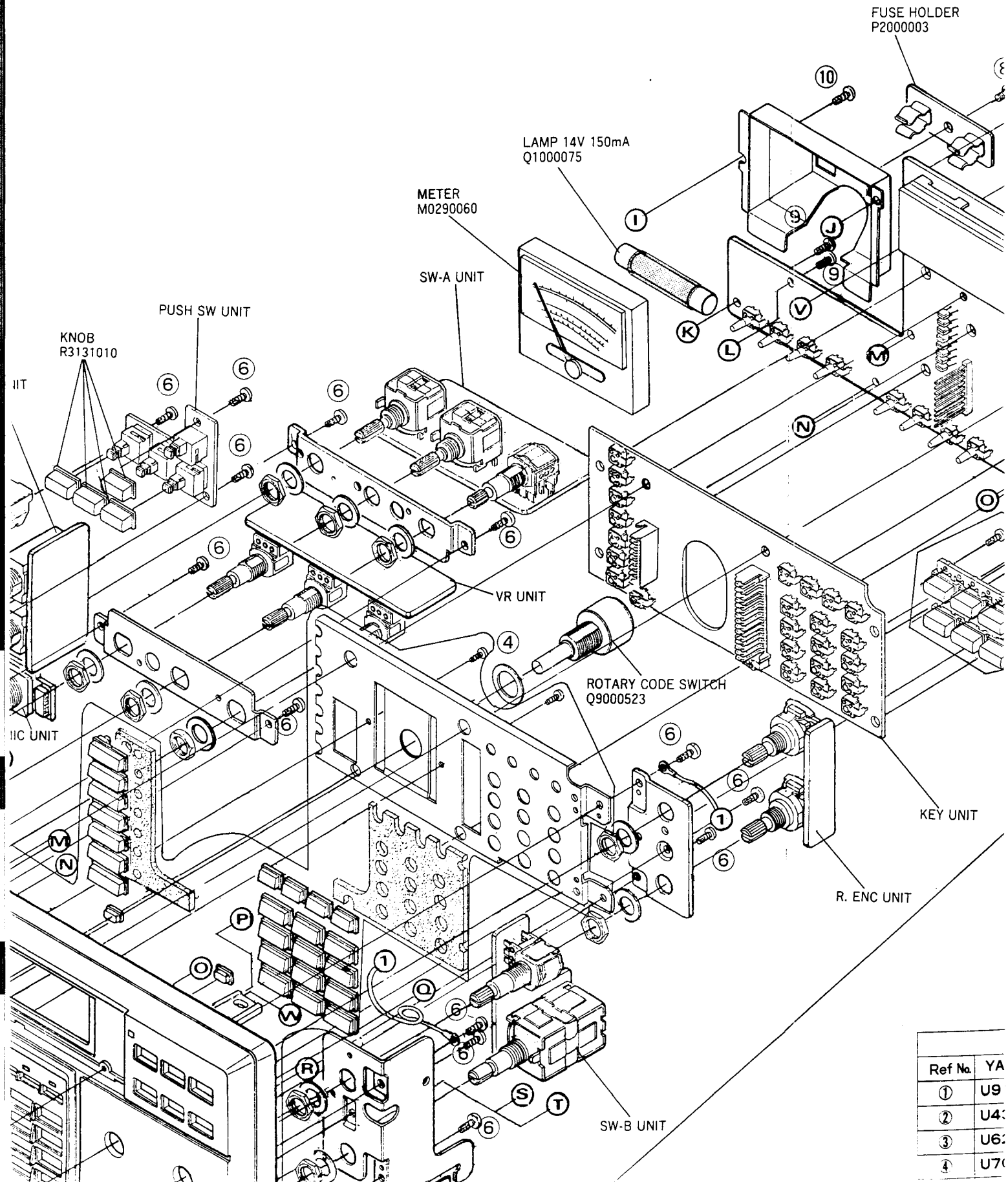


nel Assembly)



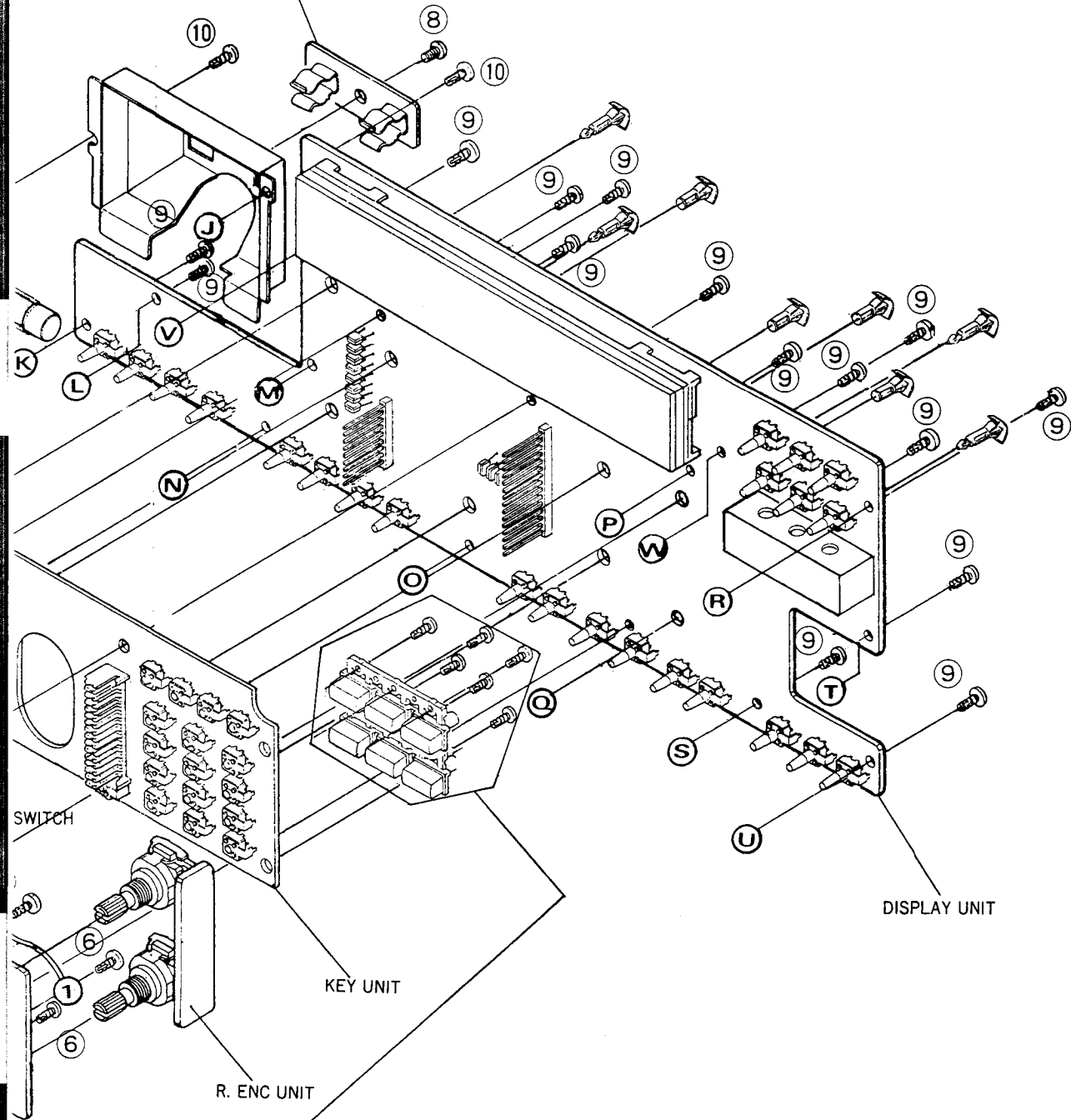
KNOB  
R3131000

# Mechanical Details



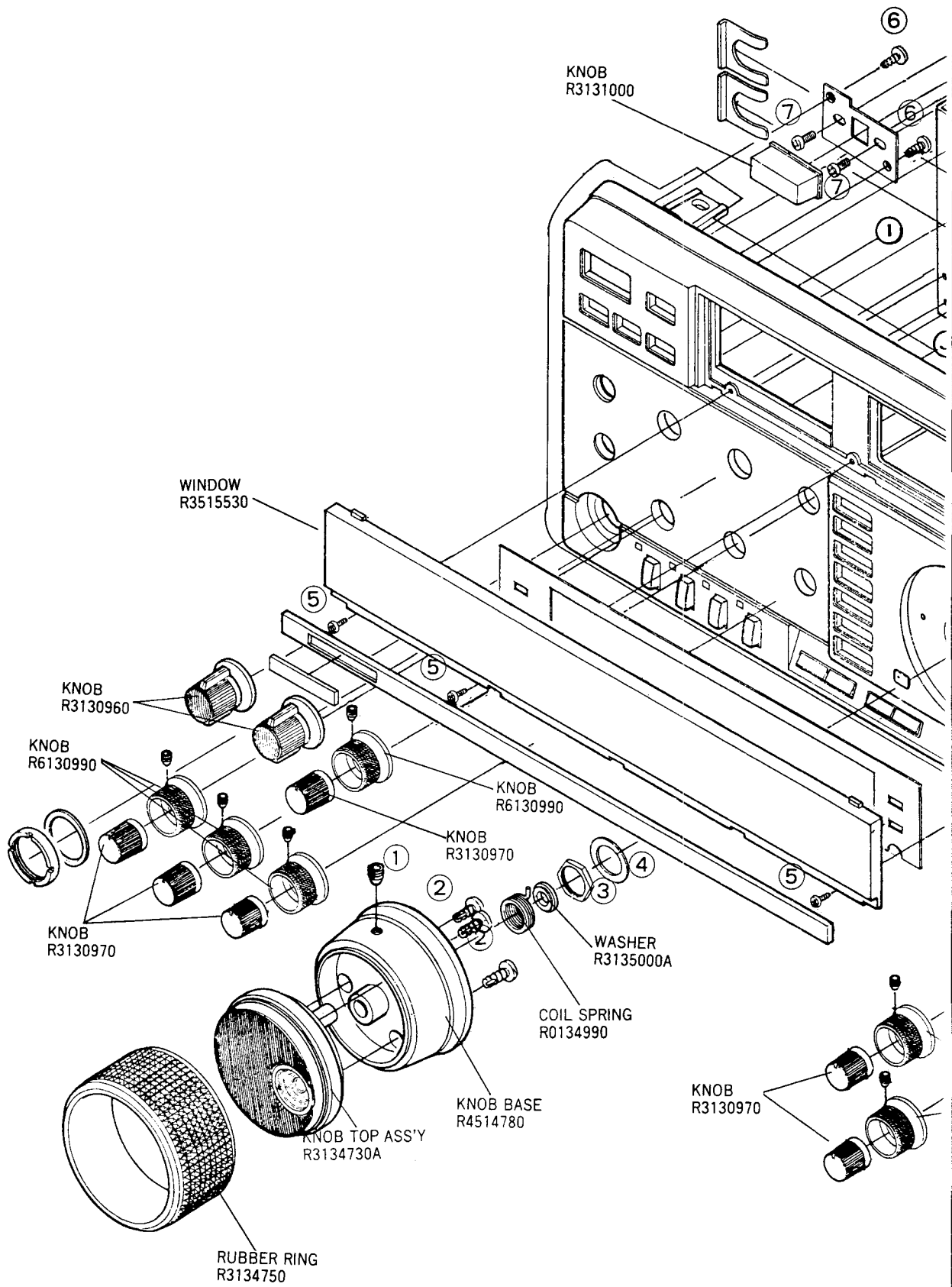
Ref No.	YA
①	U9
②	U4:
③	U6:
④	U7:

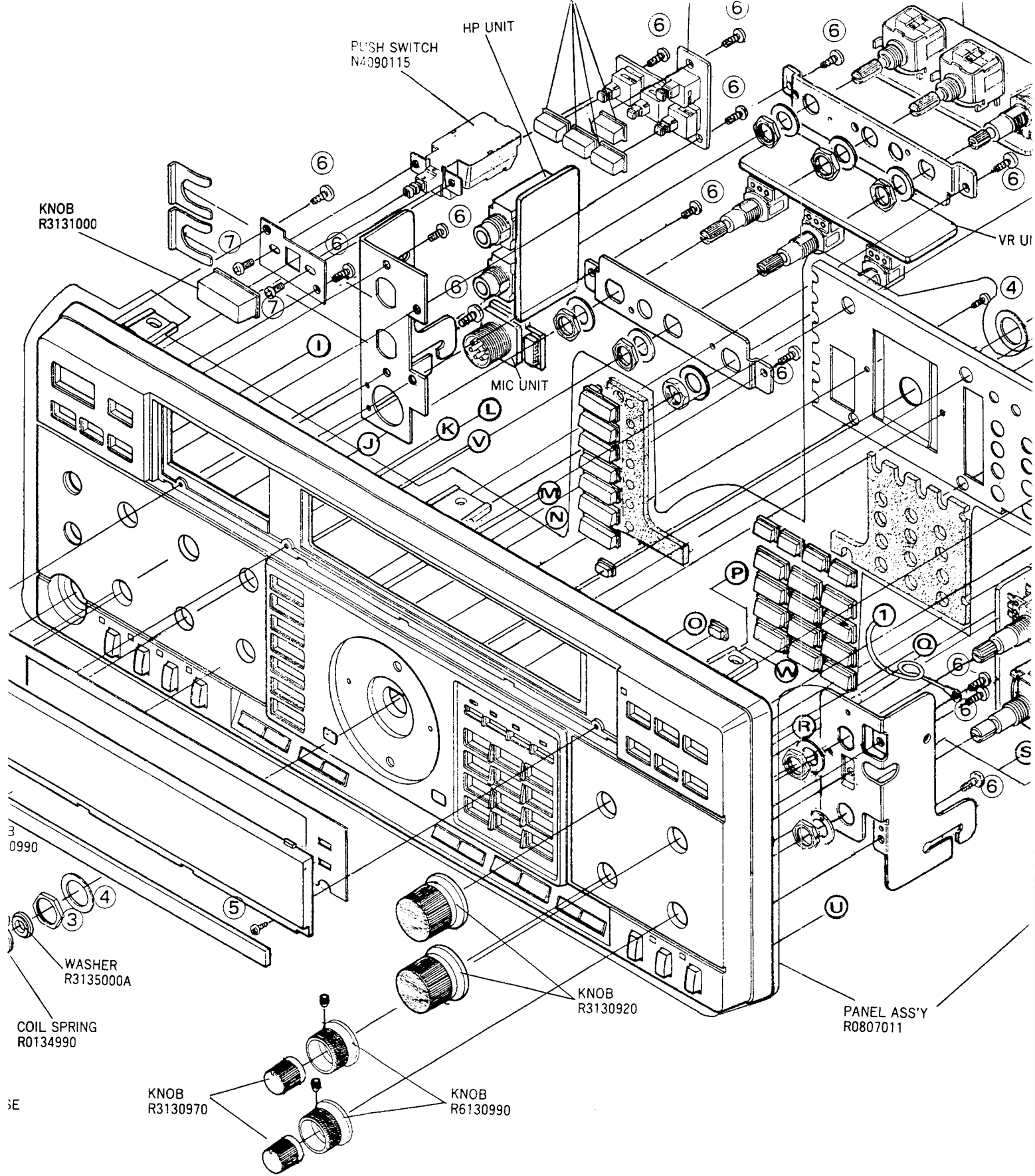
FUSE HOLDER  
P2000003



SCREW LIST

Ref No.	YAESU P/N	Description	Qty.
①	U91406020	HEX SOCKET SET SCREW M4×0.7×6	1
②	U43310001	TAPTITE SCREW M3×10	3
③	U62012001	VOLUME NUT M12×14×2	1
④	U70012001	PLAIN WASHER FW12	2
	U42106001	TAPTITE SCREW M2×6	3

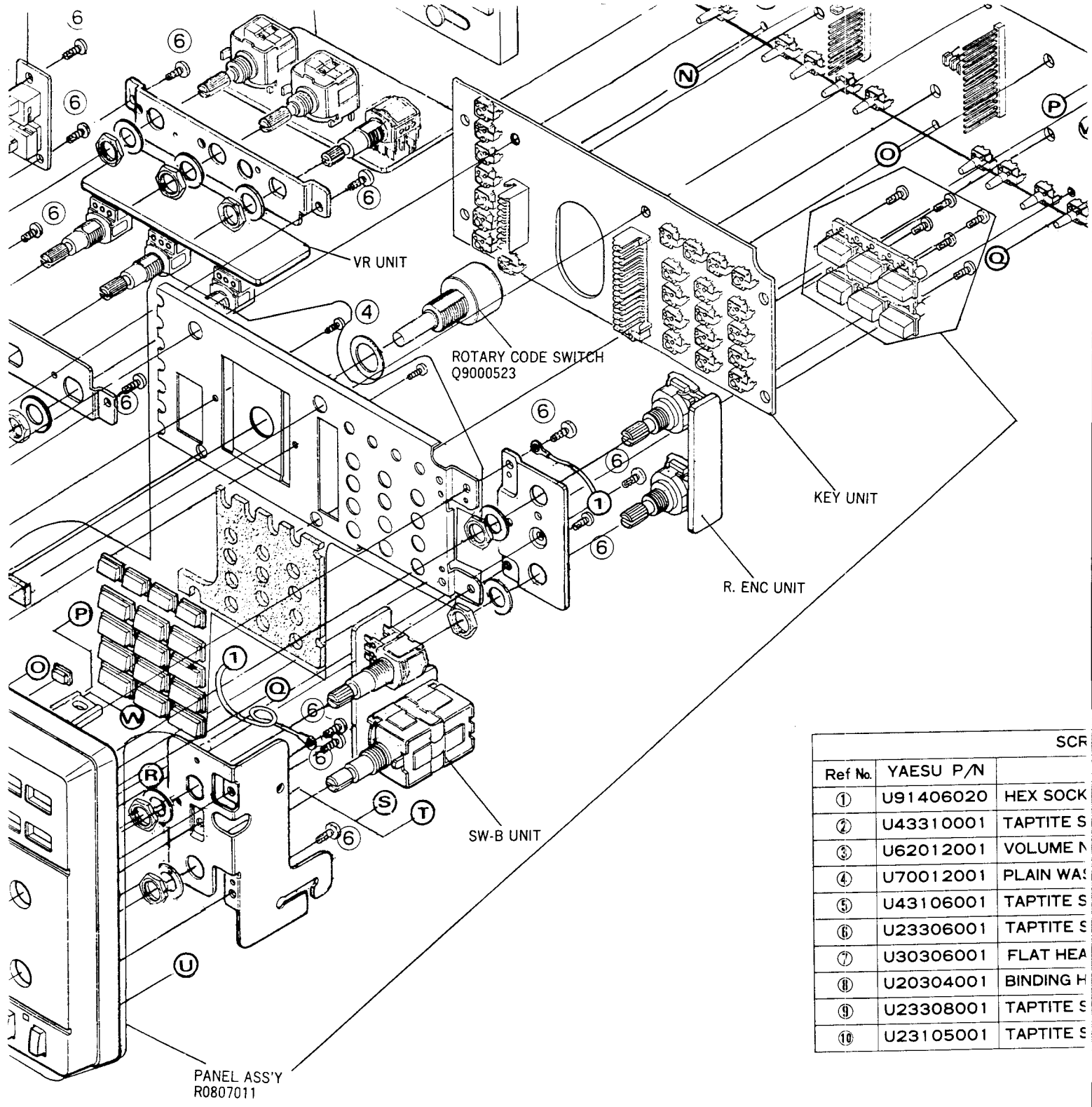




3  
0990

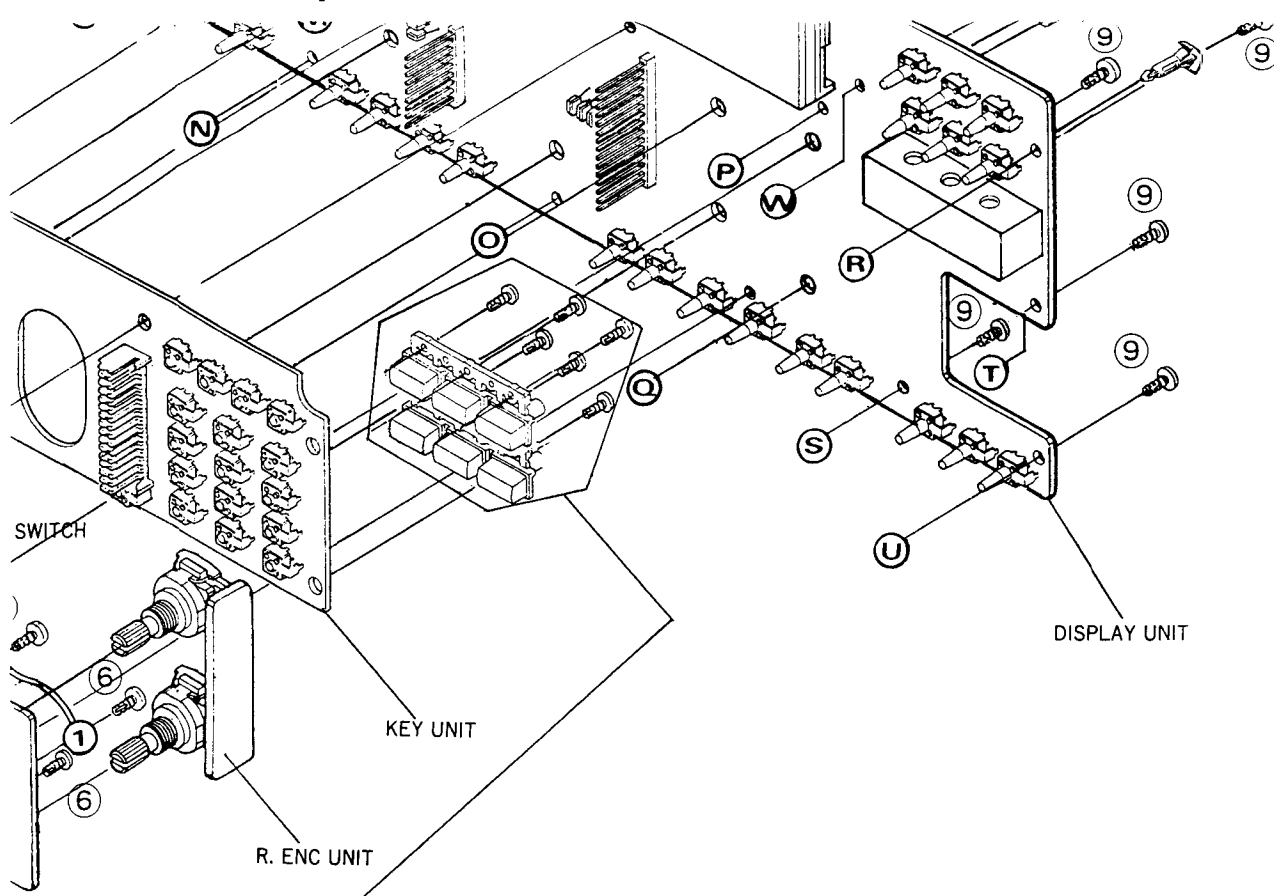
SE





Ref No.	YAESU P/N	SCR
①	U91406020	HEX SOCK
②	U43310001	TAPTITE S
③	U62012001	VOLUME M
④	U70012001	PLAIN WA:
⑤	U43106001	TAPTITE S
⑥	U23306001	TAPTITE S
⑦	U30306001	FLAT HEA
⑧	U20304001	BINDING H
⑨	U23308001	TAPTITE S
⑩	U23105001	TAPTITE S

Note : Only numbered items can be supplied.



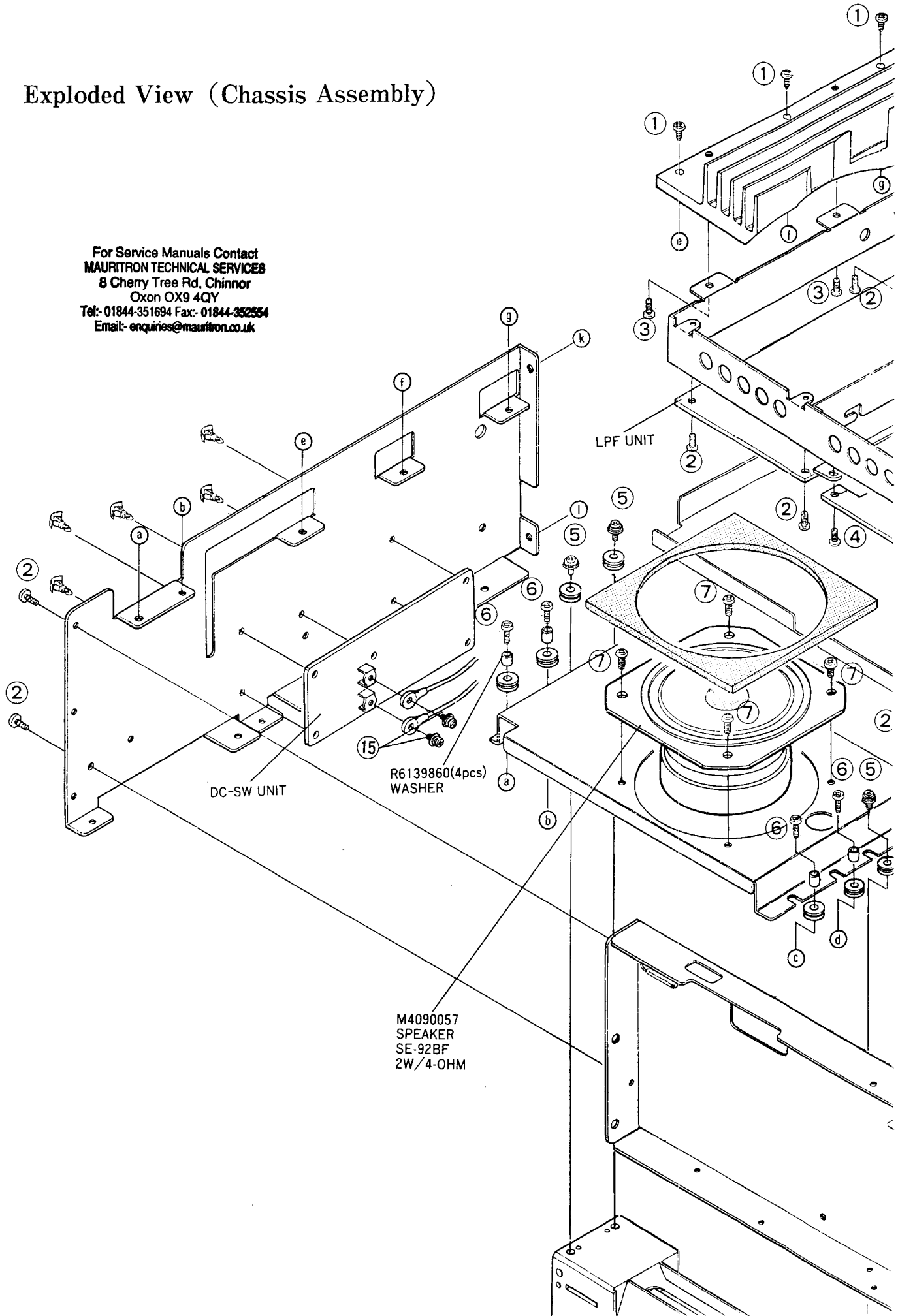
SCREW LIST

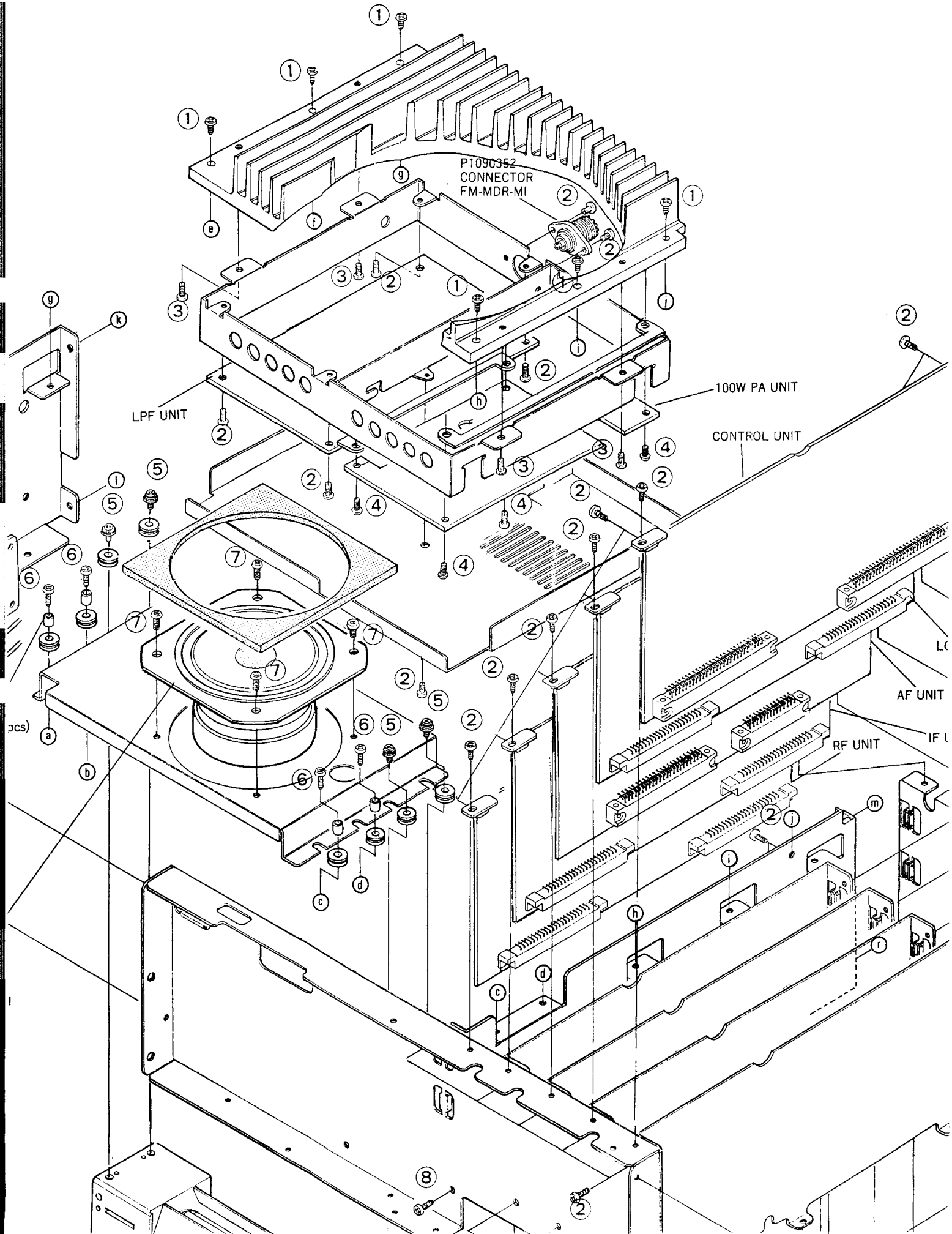
Ref No.	YAESU P/N	Description	Qty.
①	U91406020	HEX SOCKET SET SCREW M4×0.7×6	1
②	U43310001	TAPTITE SCREW M3×10	3
③	U62012001	VOLUME NUT M12×14×2	1
④	U70012001	PLAIN WASHER FW12	2
⑤	U43106001	TAPTITE SCREW M2×6	3
⑥	U23306001	TAPTITE SCREW M3×6	17
⑦	U30306001	FLAT HEAD SCREW M3×6	2
⑧	U20304001	BINDING HEAD SCREW M3×4	1
⑨	U23308001	TAPTITE SCREW M3×8	15
⑩	U23105001	TAPTITE SCREW M2×5	2

y numbered items can be supplied.

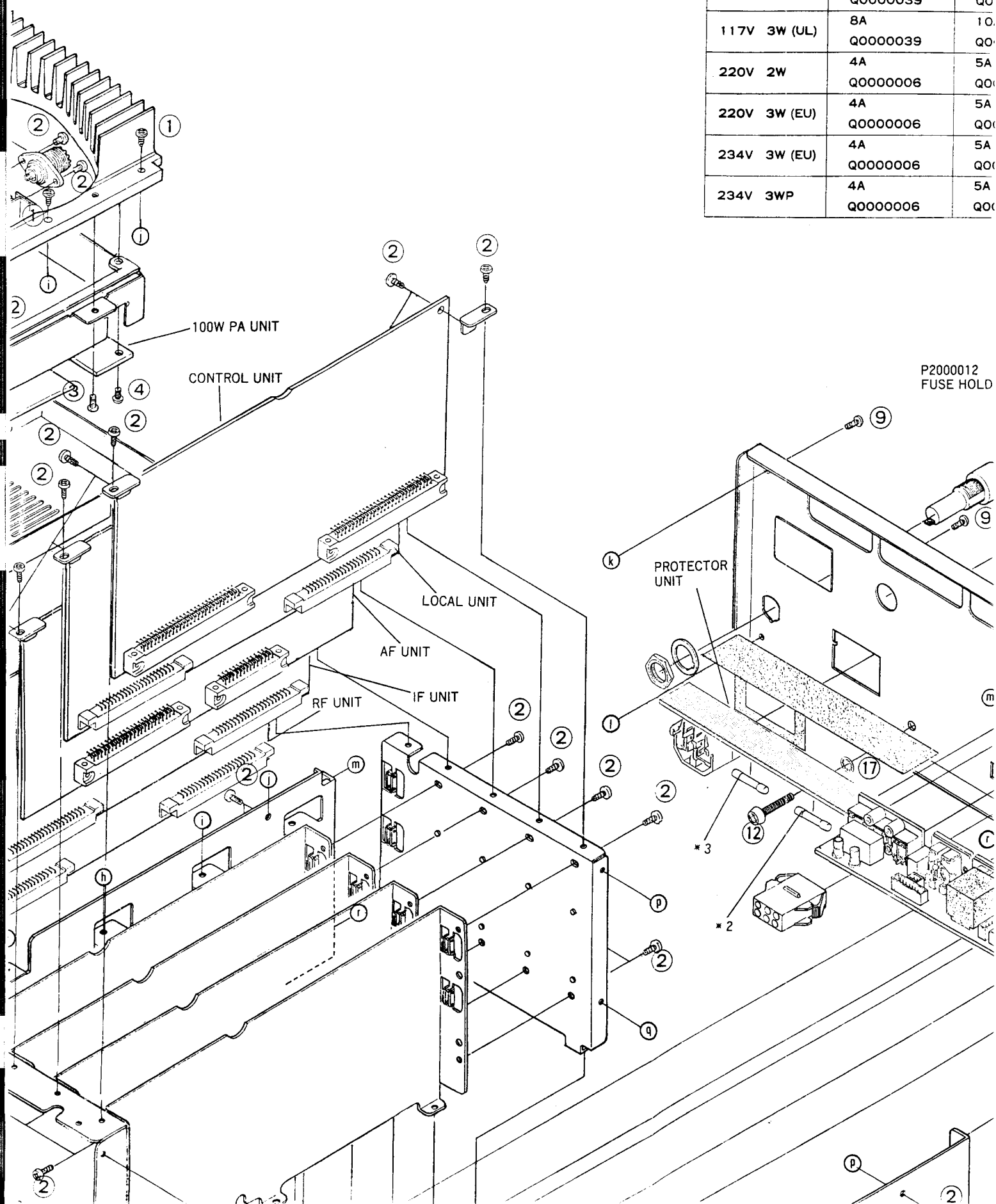
# Exploded View (Chassis Assembly)

For Service Manuals Contact  
MAURITRON TECHNICAL SERVICES  
8 Cherry Tree Rd, Chinnor  
Oxon OX9 4QY  
Tel: 01844-351694 Fax: 01844-352554  
Email: enquiries@maurtron.co.uk





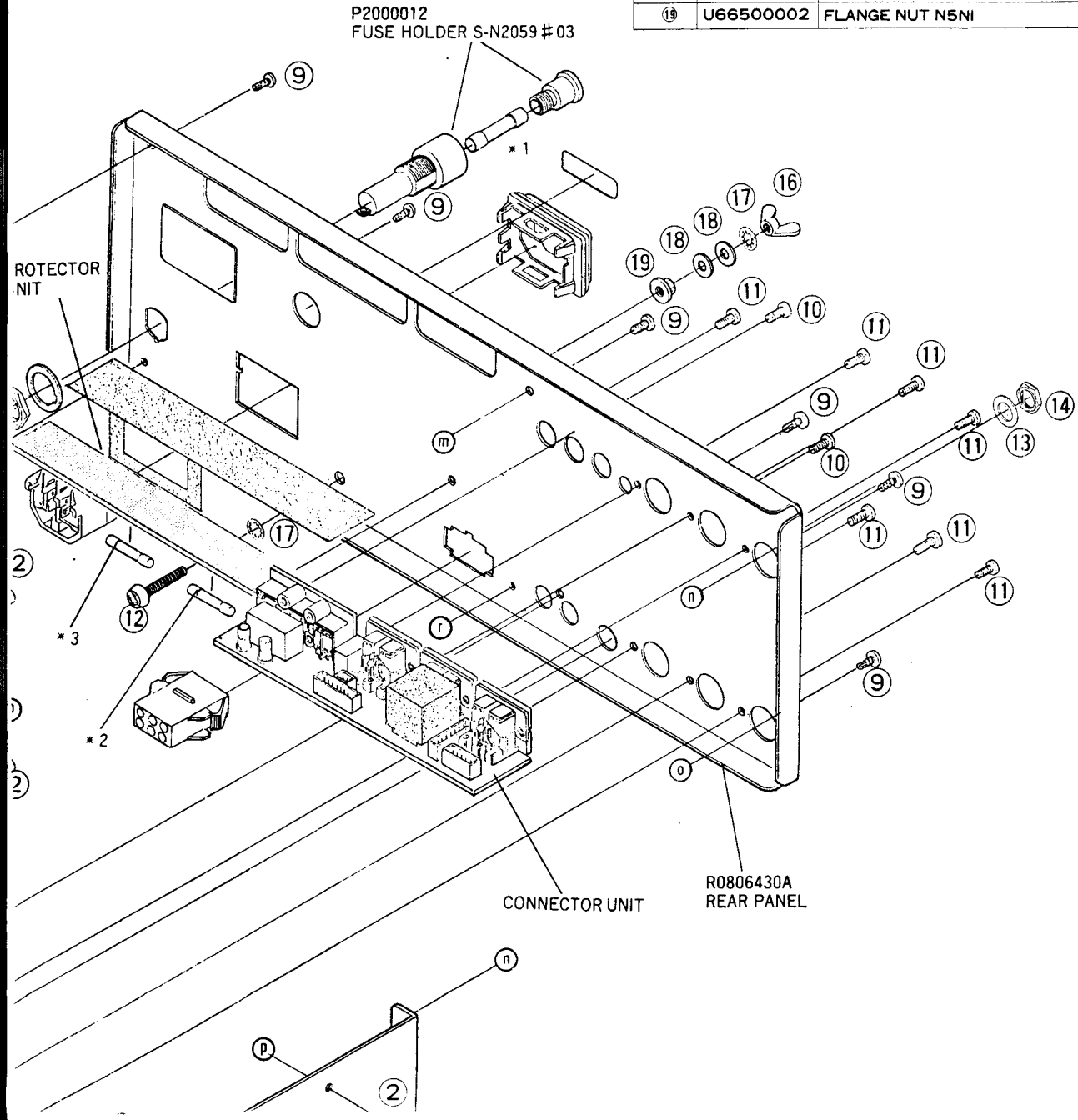
# Mechanical Details

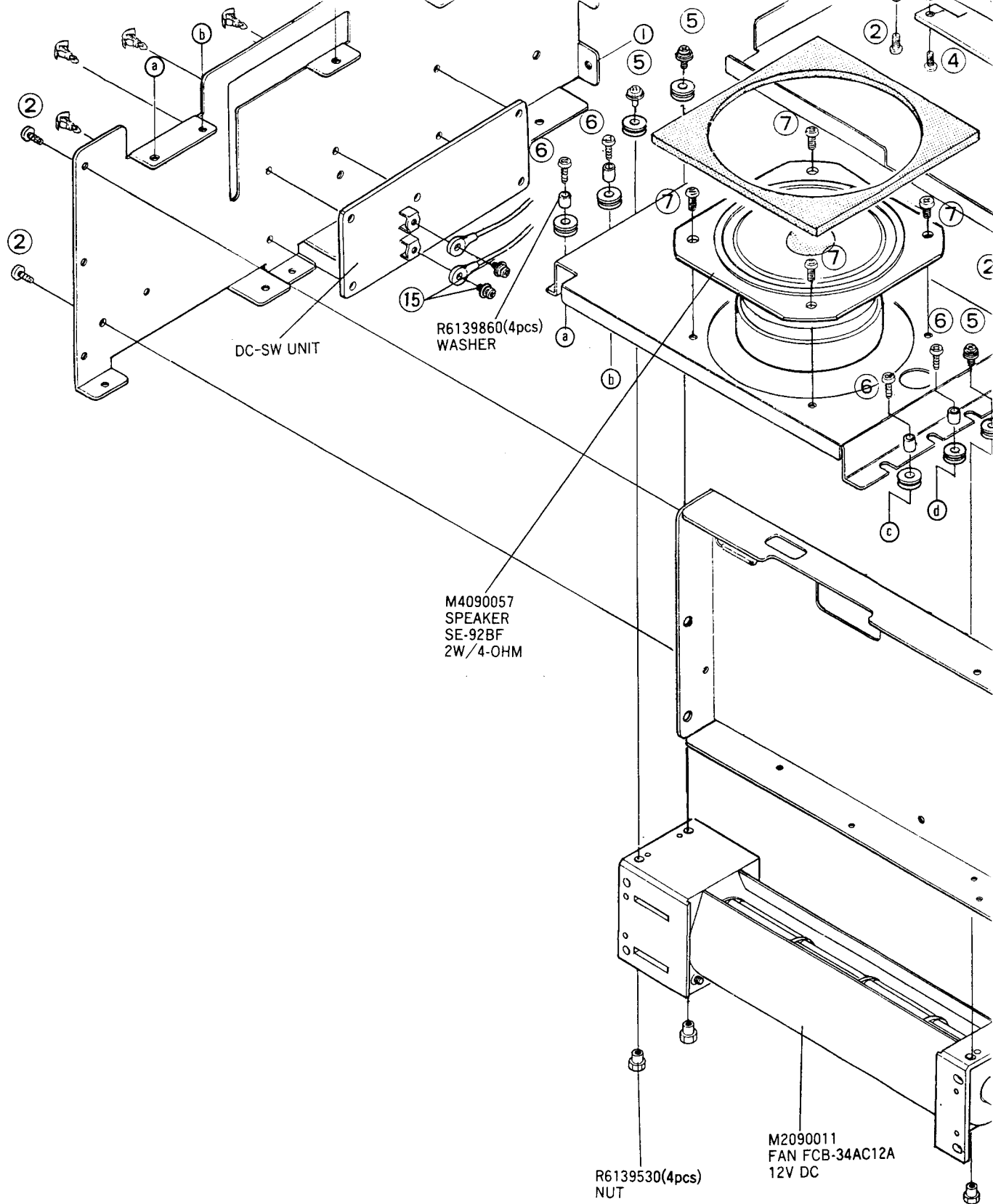


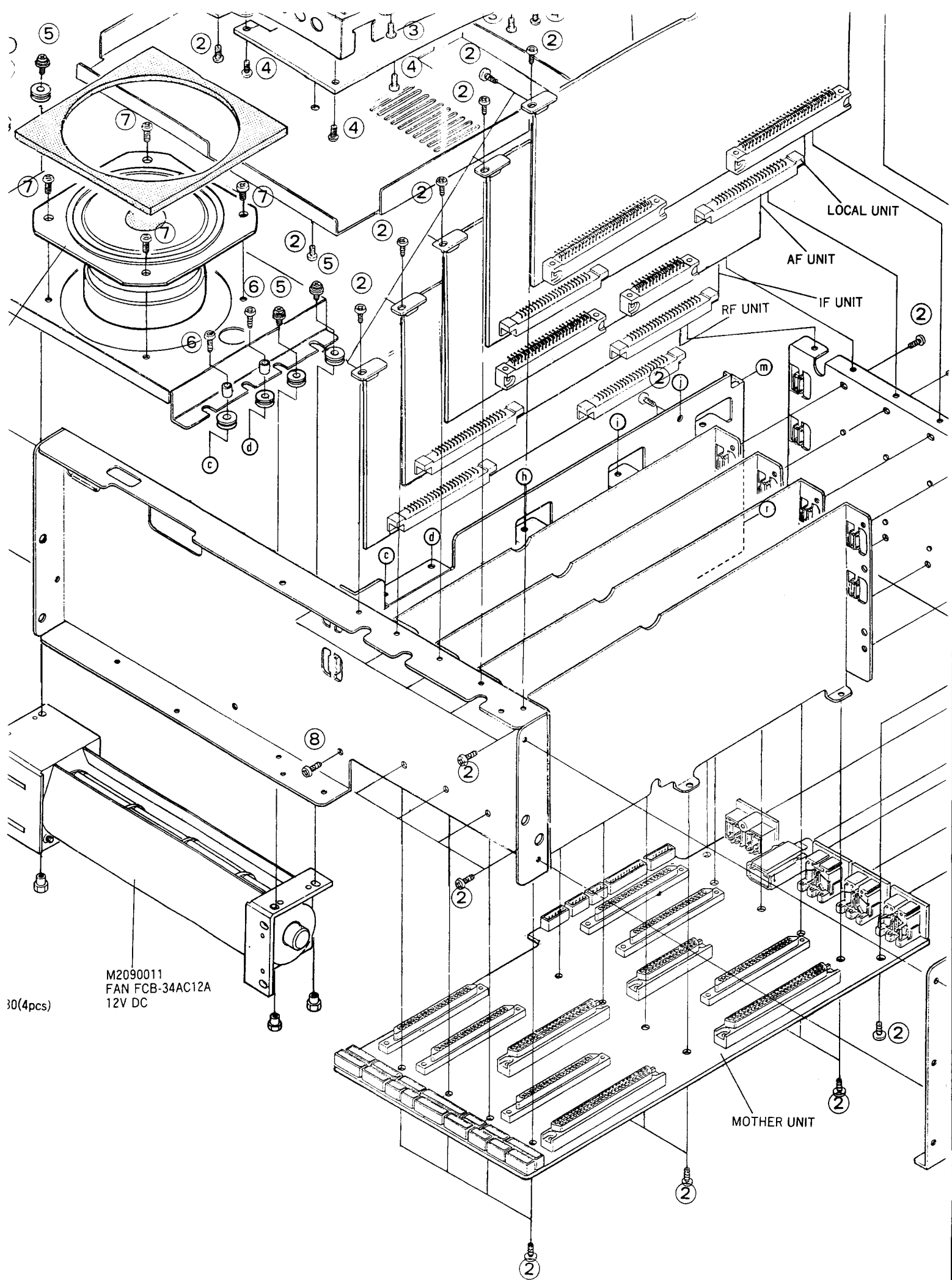
	* 1	
117V 2W	8A Q0000039	10 Q0
117V 3W (UL)	8A Q0000039	10 Q0
220V 2W	4A Q0000006	5A Q0
220V 3W (EU)	4A Q0000006	5A Q0
234V 3W (EU)	4A Q0000006	5A Q0
234V 3WP	4A Q0000006	5A Q0

	* 1	* 2, 3	VOL.
117V 2W	8A Q0000039	10A MF-51 Q0000041	21
117V 3W (UL)	8A Q0000039	10A MF-51 Q0000041	22
220V 2W	4A Q0000006	5A MF-51 Q0000027	41
220V 3W (EU)	4A Q0000006	5A MF-51 Q0000027	43
234V 3W (EU)	4A Q0000006	5A MF-51 Q0000027	53
234V 3WP	4A Q0000006	5A MF-51 Q0000027	54

SCREW LIST			
Ref No.	YAESU P/N	Description	Qty.
①	U24310001	TAPTITE SCREW M3×10	6
②	U24305001	TAPTITE SCREW M3×5	65
③	U30308001	BINDING HEAD SCREW M3×6	4
④	U20308001	BINDING HEAD SCREW M3×8	4
⑤	U04206001	SEMS SCREW HSM2.6×6	4
⑥	U24308001	TAPTITE SCREW M3×8	4
⑦	U20306001	FLAT HEAD SCREW M3×8	4
⑧	U40304201	TAPPING SCREW 3×4	1
⑨	U24305007	TAPTITE SCREW M3×5B	6
⑩	U23308007	TAPTITE SCREW M3×8B	2
⑪	U00308007	PAN HEAD SCREW M3×8B	7
⑫	U00520002	PAN HEAD SCREW M5×2.0NI	1
⑬	U70012001	PLAIN WASHER FW12	1
⑭	U62012001	VOLUME NUT 12×14×2	1
⑮	U03306001	SEMS SCREW ASM3×6	2
⑯	U65500102	WING NUT NSNI	1
⑰	U73005002	TOOTHED LOCK WASHER IW5NI	2
⑱	U70005002	PLAIN WASHER FW5NI	2
⑲	U66500002	FLANGE NUT NSNI	1







30(4pcs)

M2090011  
FAN FCB-34AC12A  
12V DC

MOTHER UNIT

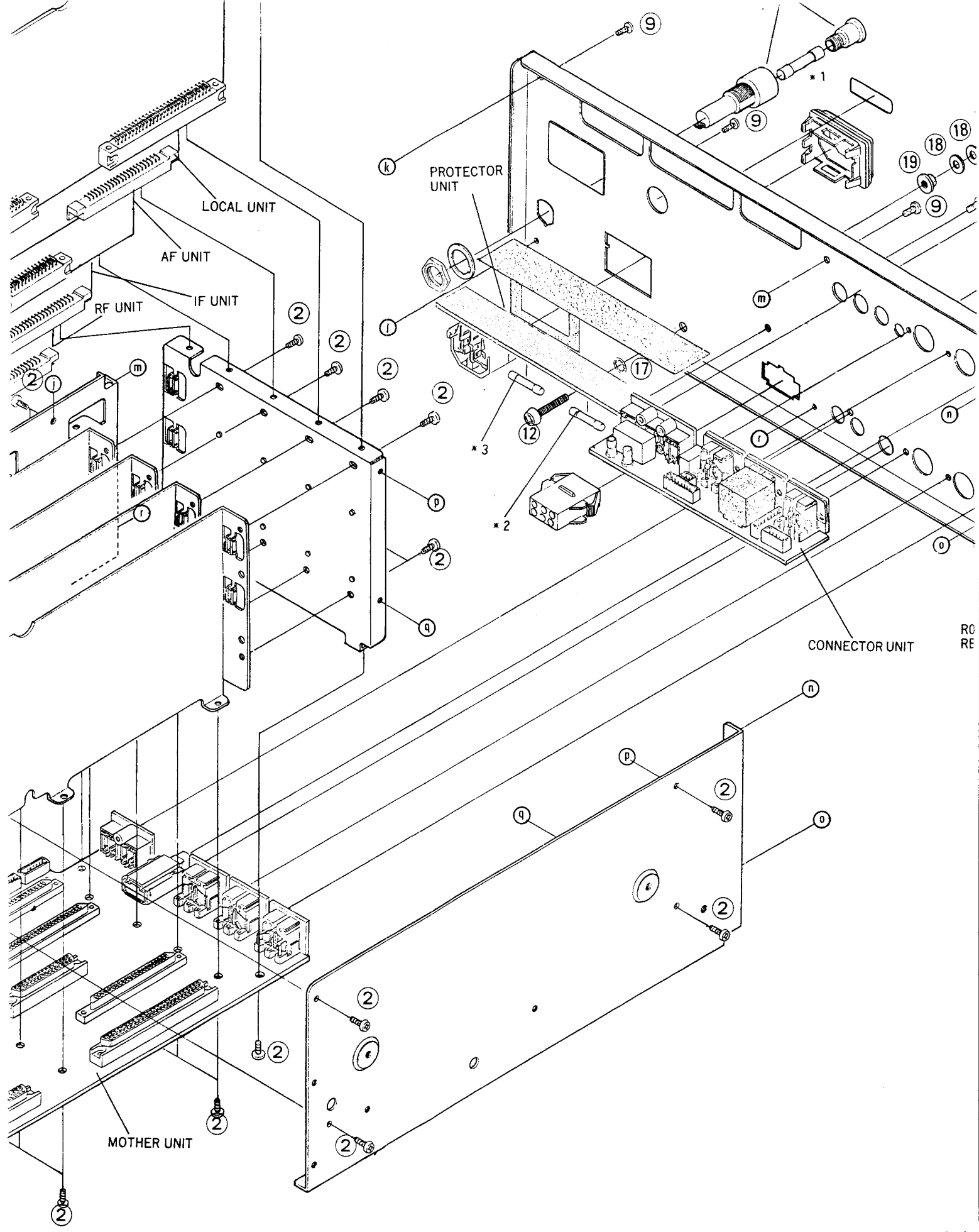
LOCAL UNIT

AF UNIT

RF UNIT

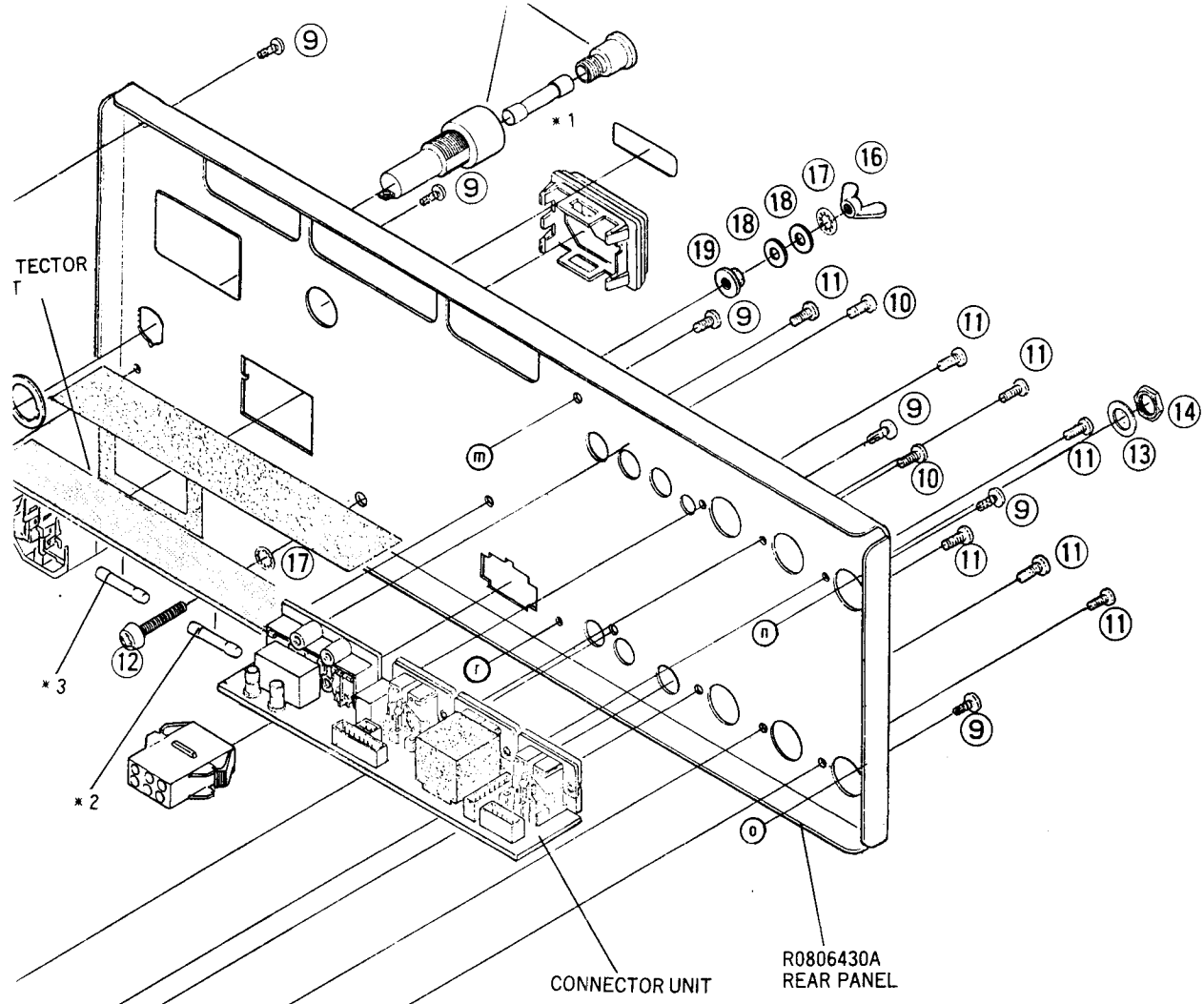
IF UNIT





RO RE

Note : Only



For Service Manuals Contact  
**MAURITRON TECHNICAL SERVICES**  
 8 Cherry Tree Rd, Chinner  
 Oxon OX9 4QY  
 Tel: 01844-351694 Fax: 01844-352564  
 Email: enquiries@maurtron.co.uk

Note : Only numbered items can be supplied.